

PARTS LIST

HOMELITE®

CHAIN SAWS

V45

PRICE .35



PART NO. 24652

VI 944 and VI 955

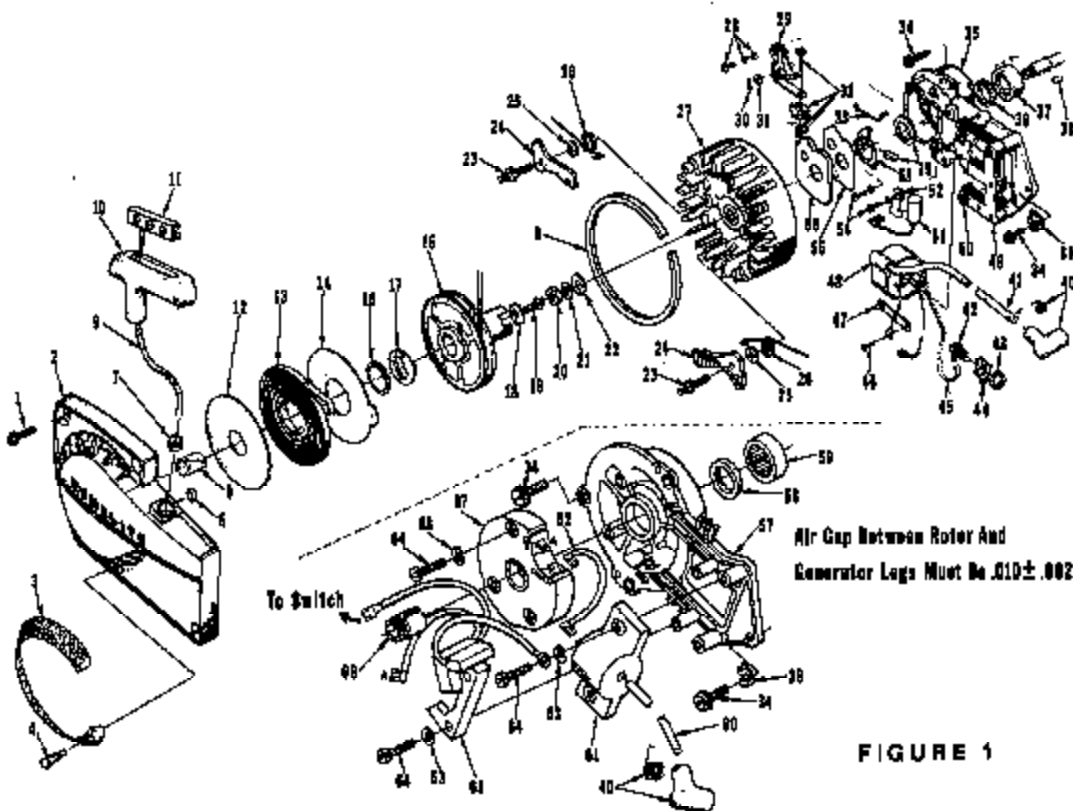


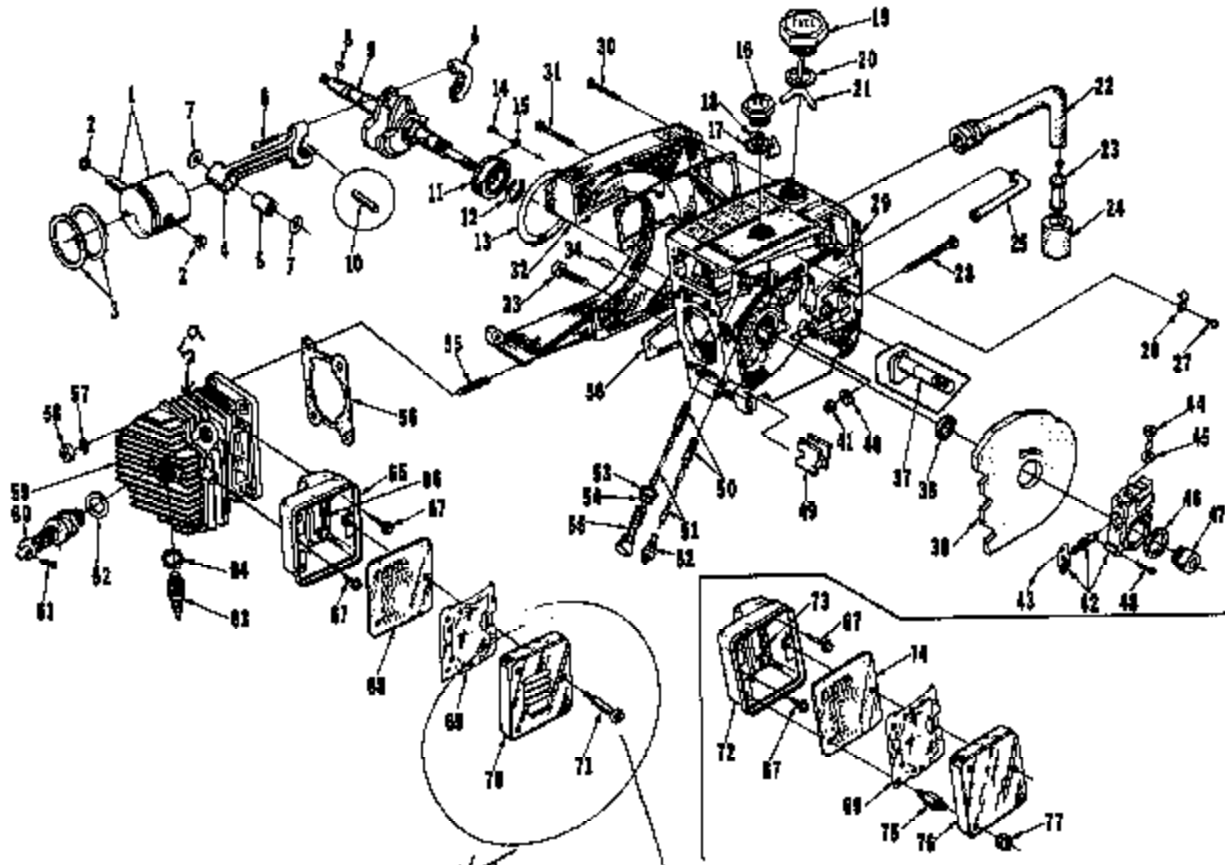
FIGURE 1

No.	Description	Part No.	VI-944		Qty.	No.	Description	Part No.	VI-955		Qty.
			VI-944	VI-955					VI-944	VI-955	
1	SCREW-hex hd., 12-24 x 5/8	80676	x	x	4	34	SCREW-hex hd., 1/4-20 x 5/8	80048	x	x	4
2	HOUSING-starter Includes:	A-84604-B	x	x	1	35	PLATE-magneto back Includes:	A-88027	x	x	1
3	SCREEN-fan housing Includes: STUD	A-64421	x	x	1	36	SEAL	58688-A	x	x	1
4	BUSHING-rewind spring	67181	x	x	11	37	BEARING-roller	63195	x	x	1
5	BUSHING-starter post	68830	x	x	1	38	KEY-Woodruff	75078	x	x	1
6	BUSHING-starter post	64443	x	x	1	39	WASHER-tab lock	67875-1	x	x	1
7	BUSHING-starter rope	67177	x	x	1	40	TERMINAL-spark plug	A-83056	x	x	1
8	RING-air flow	67409	x	x	1	41	LEAD-high tension	(W) 63632	x	x	1
9	ROPE-starting	68808	x	x	1	42	SWITCH-toggle	A-67817	x	x	1
10	GRIP-starting rope	68916	x	x	1	43	Includes: NUT	72064-A1	x	x	1
11	INSERT-rope retaining	68847	x	x	1	44	PLATE-indicating "On-Off"	75066-A	x	x	1
12	SHIELD-spring (inner)	63866	x	x	1	45	LEAD-ground	A-69031	x	x	1
13	SPRING-rewind	63268-A	x	x	1	46	SCREW-ground	(W) 64080	x	x	1
14	SHIELD-spring (outer)	63866-A	x	x	1	47	CLIP-coil retaining	(W) 63729	x	x	1
15	PULLEY-rewind starter Includes:	A-84446	x	x	1	48	COIL-ignition	(W) 63626	x	x	1
16	BUSHING-spring lock	64400	x	x	1	49	COIL-coil	(W) 63630	x	x	1
17	LOCK-rewind spring	64049-A	x	x	1	50	SCREW-coil core	(W) 64021	x	x	1
18	WASHER-retaining	66783	x	x	1	51	CONDENSER	(W) 63628	x	x	1
19	SCREW-hex hd., 10-32 x 1/2	60648	x	x	1	52	CLAMP-condenser	(W) 63627	x	x	1
20	NUT-hex, 3/8-24	61124	x	x	1	53	RETAINER-felt	(W) 63628	x	x	1
21	WASHER-lock, 3/8	63102	x	x	1	54	SCREW-contact plate	(W) 60411	x	x	3
22	WASHER-flat, 3/8	64010-1	x	x	1	55	GASKET-breaker box cover	(W) 68816	x	x	1
23	STUD-shoulder	68787-B	x	x	2	56	COVER-breaker box	(W) 69917	x	x	1
24	PAWL-starter	68758	x	x	2	57	PLATE-back Includes:	A-67818	x	x	1
25	WASHER	68086	x	x	2	58	SEAL	68662	x	x	1
26	SPRING-starter pawl	68758	x	x	2	59	BEARING-roller	63195	x	x	1
27	ROTOR-magneto ROTOR-magneto	(W) 63406 (P) 67185	x	x	1	60	LEAD-high tension	(P) 67188	x	x	1
28	SCREW-contact plate	(W) 79421	x	x	1	61	COIL-transformer	(P) 67184	x	x	1
29	POINTS-breaker Includes:	(W) A-63631	x	x	1	62	LEAD-transformer	(P) 67187	x	x	1
30	CLIP-post	(W) 28008	x	x	1	63	WASHER-lock, #8	63022	x	x	7
31	WASHER-point	(W) 28028	x	x	1	64	SCREW-pan, 8-32 x 3/4	62176	x	x	7
32	BLOCK-terminal	(W) A-68934	x	x	1	65	COIL-core and generator	(P) 67183	x	x	1
33	SPRING-clip cover	(W) 76413	x	x	1	66	CAP-dust	64002	x	x	1
						67	MODULE-ignition	(P) 67182	x	x	1

(W) Winco and (P) Phelon parts are not interchangeable.

ALWAYS FURNISH MODEL AND SERIAL NUMBER WHEN ORDERING PARTS

VI 944 and VI 955



Kit
A68680A

FIGURE 2 68480

VI 944 and VI 955

No.	Description	Part No.	VI-944	VI-955	Qty.	No.	Description	Part No.	VI-944	VI-955	Qty.
1	PISTON & PIN Includes:	A-67989-1	x	x	1	40	PIN-guide bar adjusting	67586-1A	x	x	1
2	RING-piston pin retaining	64742	x	x	2	41	NUT-flaxloc, 1/4-20	31102	x	x	1
3	PISTON RING	68249	x	x	2	42	PUMP-automatic oil	A-68268	x	x	1
4	ROD-connecting Includes:	A-88008	x	x	1						
5	BEARING-needle	68851	x	x	1	43	SCREW-pan, 4-40 x 1/4	60919	x	x	2
6	SCREW-soc., 8-32 x 3/16	80808	x	x	2	44	SCREW-cam	64102-A	x	x	1
7	WASHER-thrust	68010	x	x	2	45	GASKET-cam screw	69796	x	x	1
8	KEY-Woodruff	75078	x	x	1	46	SEAL-felt	69926	x	x	1
9	CRANKSHAFT	67189-1	x	x	1	47	WORM-gear	58675	x	x	1
10	BEARING-needle (28 rollers)	A-69059	x	x	1	48	SCREW-fl, 8-32 x 3/4	80248	x	x	3
11	BEARING-ball	68180-8	x	x	1	48	GROMMET	68357	x	x	1
12	RING-retaining	68219-A	x	x	1	50	FILTER-oil	A-64283	x	x	1
13	"O" RING	67539	x	x	1	51	LINE-oil pick-up	69000	x	x	1
14	SCREW-bearing retaining	69704	x	x	2	*52	CONNECTOR-oil filter	68908	x	x	1
15	WASHER-lock	69705	x	x	2	53	GASKET-oil line tube	68751	x	x	1
16	CAP-oil Includes:	A-65284-A	x	x	1	54	"O" RING	68406	x	x	1
17	"O" RING	68133	x	x	1	55	TUBE-oil line	68452-A	x	x	1
	VALVE-check (not shown)	68718	x	x	1	56	GASKET-cylinder	63776-1	x	x	1
18	RETAINER	68750	x	x	1	57	WASHER-lock, 1/4	68009	x	x	4
19	CAP-fuel Includes:	A-65283-B	x	x	1	58	NUT-hex, 1/4-28	61686-2	x	x	4
	VALVE-check (not shown)	63718	x	x	1	*59	CYLINDER	A-68980-1	x	x	1
*20	GASKET	68961	x	x	1		CYLINDER	A-68963-A	x	x	1
21	RETAINER	68751	x	x	1						
22	LINE-fuel	65593	x	x	1		Includes:				
23	FILTER-fuel	A-69251	x	x	1	60	VALVE-decompression	A-68028	x	x	1
	Includes:					61	Includes: PIN-cooler	68329	x	x	1
24	FILTER-felt	59253-1	x	x	1	62	WASHER	67321	x	x	1
25	CONNECTOR-fuel line	67080	x	x	1	63	SPARK PLUG	63847-B	x	x	1
26	CLAMP-fuel line	66597-1	x	x	1	64	Includes: GASKET	28038	x	x	1
27	SCREW-pan, 8-32 x 5/16	80805	x	x	1	*65	BODY-muffler	A-68978	x	x	1
28	SCREW-guide bar adjusting	68967	x	x	1	*66	Includes: PLATE-muffler body	68978	x	x	1
29	CRANKCASE & TANK Includes:	A-88646	x	x	1	67	SCREW-hex, 1/4-20 x 5/8	80402	x	x	3
30	SCREW-fl, 8-32 x 5/8	82146	x	x	6	68	BAFFLE-muffler	63521-A	x	x	1
31	SCREW-fl, 8-32 x 2-3/16	82155	x	x	8	*69	ARRESTOR-spark (for can type muffler)	A-88540-C	x	x	1
32	COVER	67153-2	x	x	1	70	CAP-muffler	63620-B	x	x	1
33	SCREW-fl, 8-32 x 1-3/4	82147	x	x	1	71	SCREW-shoulder	63855-A	x	x	3
34	PIN-dowel	83621	x	x	2	*	MUFFLER-complete	A-88983	x	x	1
35	STUD	65871	x	x	4		Includes:				
36	GASKET-fuel tank	67159	x	x	1	*72	BODY-muffler	A-68978	x	x	1
37	BOLT-guide bar	67159	x	x	2	*73	Includes: PLATE-muffler body	68978	x	x	1
38	SEAL	68688-A	x	x	1	74	BAFFLE-muffler	68633	x	x	1
39	SHIELD-sawchust	A-64715	x	x	1	75	STUD-muffler	68674	x	x	3
						76	CAP-muffler	A-68911-1	x	x	1
						77	NUT-hex, 10-32 flaxloc	81102-2	x	x	3

* Denotes new parts

VI 944 and VI 955

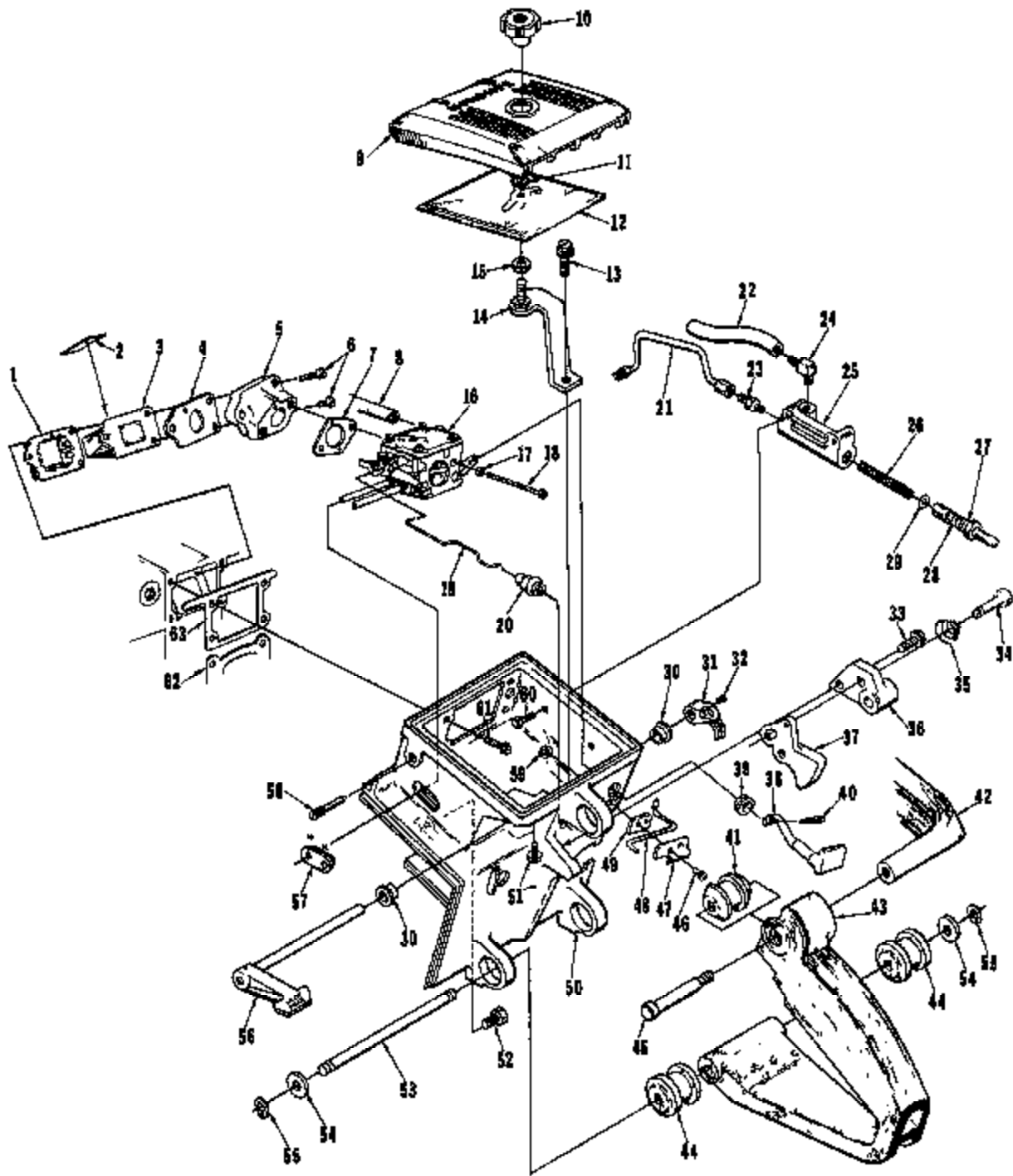


FIGURE 3

VI 944 and VI 955

No.	Description	Part No.	VI-944	VI-955	Qty.	No.	Description	Part No.	VI-944	VI-955	Qty.
1	RETAINER-reed valve	89370-A	x	x	1	32	SCREW-sec. est, 5-32 x 1/4	80989	x	x	1
2	VALVE-reed	89166-A	x	x	4	33	SCREW-pan hd., 5-32 x 3/4	80687	x	x	1
3	SEAL-reed	83871-B	x	x	1	34	PIN-throttle latch	85822	x		1
4	GASKET-reed valve seal	85483	x	x	1		PIN-throttle latch	88824-4		x	1
5	MANIFOLD-intake	A-87480-1	x	x	1	35	SPRING-throttle latch	85714	x		1
6	SCREW-pan hd., 8-32 x 1-1/8	82198	x	x	3		SPRING-throttle latch	88408	x		1
7	GASKET-carburetor	87840	x	x	1	36A	RING-retaining (not shown)	88409	x		1
8	LINE-fuel	86718	x	x	1	*36	COVER-trigger	A-89307	x	x	1
*9	COVER-air filter element	88634-10	x	x	1		Includes:				
10	NUT-cover mounting	A-87638	x	x	1		BUSHING (not shown)	88678	x		1
11	RING-bearing retaining	88318-A	x	x	1		BUSHING-nylon (not shown)	89084	x		1
12	FILTER ELEMENT-air	89841	x	x	1	37	TRIGGER-throttle	88859	x	x	1
13	SCREW-hex hd., 12-24 x 1/2	80821	x	x	1	38	ROD-choke	A-88428	x	x	1
*14	BRACKET-air filter	A-88886	x	x	1	39	Includes: GROMMET	84882	x	x	1
	Includes:					40	PIN-cotter	88324	x	x	1
15	GASKET-mounting nut	88392-1	x	x	1	*41	ISOLATOR-vibration	88321	x	x	1
16	CARBURETOR-HE-103B	A-88251-A	x	x	1	*42	ARM-vibration mount	88822-2	x	x	1
17	WASHER-lock, #10	83946	x	x	2	*43	HANDLE-trigger	88302-2	x	x	1
18	SCREW-hex hd., 10-32 x 1-7/8	82179	x	x	2	*44	ISOLATOR-vibration	88820	x	x	2
19	ROD-throttle	83286-A	x	x	1	*45	SCREW-shoulder, 5/16 x 1-1/2	88305	x	x	1
20	BOOT-throttle rod	88348	x	x	1	46	SCREW-pan, 6-32 x 3/8	80871	x		2
21	LINE-oil (discharge)	A-88299	x	x	1		SCREW-pan, 6-32 x 5/16	80608	x		2
	Includes: SLEEVE (not shown)	25301	x	x	2	47	CLAMP-lever	85821-1	x		1
*22	LINE-oil (intake)	88328	x	x	1	48	LEVER-poppet valve	85680	x		1
23	VALVE-check (outlet)	A-89488-A	x	x	1	49	PLATE-lever	88828-1	x		1
	Includes:					*50	CARBURETOR CHAMBER	A-88128	x	x	1
	SPRING (not shown)	89022	x	x	1	51	Includes: BUMPER	86298	x	x	1
	BALL (not shown)	88827	x	x	1	52	SCREW-hex, 12-24x 7/8	80887	x	x	1
*24	VALVE-check (inlet)	A-88310	x	x	1	*53	PIN-vibration isolator	88304	x	x	1
	Includes: BALL (not shown)	25527	x	x	1	54	WASHER-flat	84006-1	x	x	2
25	BODY-oil pump	88345-3	x	x	1	*55	RING-retaining	67308-88888	x	x	2
26	SPRING-compression	59293	x	x	1	56	LEVER-oiler w/shaft	A-83327	x	x	1
27	PLUNGER-oil pump	A-87834-14	x	x	1		Includes:				
	Includes:						PIN-grooved (not shown)	88841	x	x	1
28	"O" RING-shaft	89074	x	x	1	57	GROMMET-"H"-Lo"	88868	x	x	1
29	"O" RING-plunger	74988	x	x	1	58	SCREW-idle adjustment	83382-A	x	x	1
*30	BEARING-flanged	89180	x	x	2	59	NUT-lock, 6-32	81198	x	x	2
31	ARM-oiler	83280-2A	x	x	1	60	SCREW-pan hd., 8-32 x 1/2	80580	x	x	2
						61	SCREW-hex hd., 12-24 x 5/8	80678	x	x	4
						62	GASKET-cylinder	83778-1	x	x	1
						*63	GASKET-carburetor chamber	83779-C	x	x	1

* Denotes new parts

VI 944 and VI 955

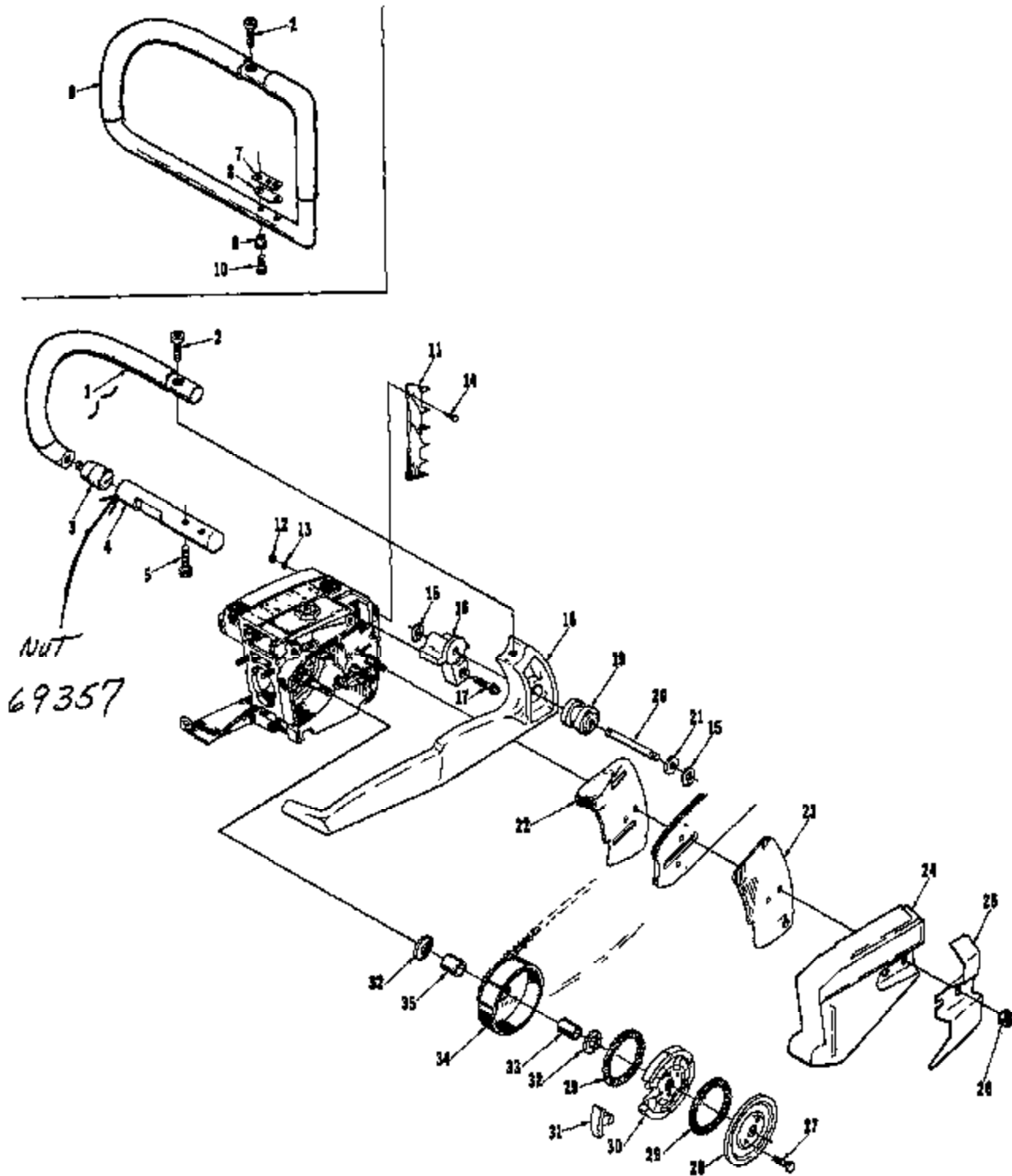


FIGURE 4

VI 944 and VI 955

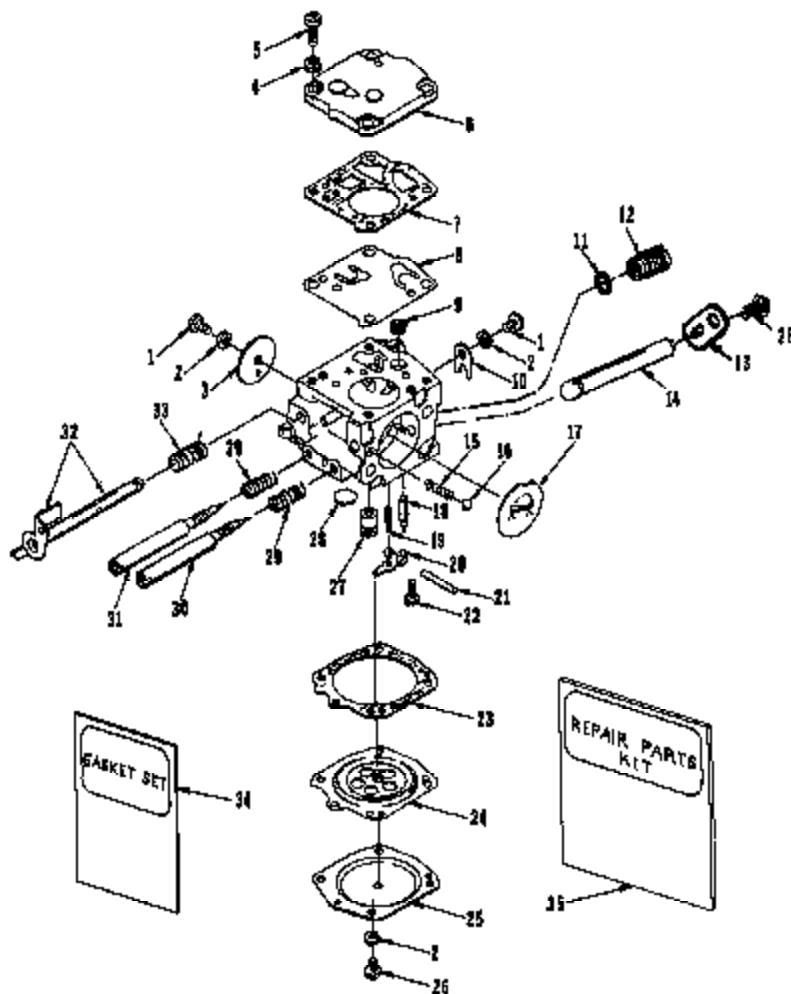
No.	Description	Part No.	VI-944	VI-955	Qty.
* 1	HANDLE BAR-flush, (rubber coated)	A-88952-2	x		1
	PIN-spirol, 1/8 x 3/4 (not shown)	66186	x		1
2	SCREW-sec. hd., 1/4-20 x 1	80428	x	x	1
* 3	ISOLATOR-vibration	68176	x		1
* 4	BRACKET-handle bar	68864-1	x		1
5	SCREW-hex hd., 1/4-20 x 1	80284	x		2
* 6	HANDLE BAR-wrap around	A-88885-1		x	1
7	PLATE	66599		x	1
8	SPACER	68765		x	1
9	GROMMET	65518		x	2
10	SCREW-shoulder	65520		x	2
11	KIT-spiked bumper	A-68720	x	x	1
	Includes:				
12	NUT-12-24	81068	x	x	2
13	WASHER-lock, #12	83058	x	x	2
14	SCREW-hex hd., 12-24 x 3/4	80867	x	x	2
*15	RING-retaining	69308-8000	x	x	2
*16	BRACKET-vibration arm	68905-2	x	x	1
17	SCREW-hex washer head	80751	x	x	2
*18	ARM-vibration mount	68923-2A	x	x	1
*19	ISOLATOR-vibration	68320	x	x	1
*20	PIN-vibration isolator	68808	x	x	1
21	WASHER-flat	84006-1	x	x	1
22	PLATE-guide bar (inner)	67180	x	x	1
23	PLATE-guide bar (outer)	67161	x	x	1
*24	COVER-drive case	67156-5	x	x	1
25	GUARD-chain	68078-1		x	1
26	NUT-hex, 3/8-16	81089-2	x	x	2
27	SCREW-hex hd., 10-32 x 1/2	80361-1	x	x	2
28	COVER-clutch	68751-1	x	x	1
29	SPRING-clutch	67441	x	x	2
30	SPIDER-clutch	65723-2	x	x	1
31	SHOE-clutch	67886-1	x	x	6
32	WASHER-thrust	63482	x	x	2
33	BEARING-roller	64124	x	x	1
34	DRUM & HUB-rim type	A-65890	x	x	1
	SPROCKET				
	3/8 pitch, 7 tooth (rim type)	63284	x	x	1
	.404 pitch, 7 tooth (rim type)	63285	x	x	1
	SPROCKET & DRUM				
	3/8 pitch, 8 tooth	A-65885	†	†	1
	SPROCKET & DRUM				
	.404 pitch, 7 tooth	A-65886	†	†	1
	SPROCKET & DRUM				
	.404 pitch, 8 tooth	A-65887	†	†	1
	SPROCKET & DRUM				
	3/8 pitch, 7 tooth	A-65884	†	†	1
	WASHER-thrust (See Note)	63483	†	†	1
35	RACE-inner	64129	x	x	1

*try these
for problem
units* { 55123-C
65723-1
55076-4

* Denotes new parts

Note - When using Sprocket and Drum (†) you must use one #63483 Washer (inner).

VI 944 and VI 955



MS-103B A 68251-A

No.	Description	Part No.	Qty.	No.	Description	Part No.	Qty.
1	SCREW-rd., 4-40 x 3/16	† 80264	2	19	SPRING-control lever	† 55759	1
2	WASHER-lock, #4	† 83008-1	6	20	LEVER-inlet control	† 58716	1
3	SHUTTER-throttle	67994	1	21	PIN-control lever fulcrum	† 68977	1
4	WASHER-lock, #6	63024	4	22	SCREW-oval, 4-40 x 1/4	† 85798	1
5	SCREW-flt, 6-32 x 3/8	80275	4	23	GASKET-main diaphragm	58978	1
6	COVER-fuel pump diaphragm	58975	1	24	DIAPHRAGM-main control	† 58988	1
7	GASKET-pump diaphragm	58981	1	25	COVER-main diaphragm	58979	1
8	DIAPHRAGM-fuel pump	† 58980-R	1	26	SCREW-rd., 4-40 x 1/4	60591	5
9	SCREEN-fuel inlet	† 58974	1	27	VALVE-check (See Note 69453)	66284	1
10	CLIP-throttle shaft retaining	58982	1	28	PLUG-extension (large)	† 58981	1
11	GASKET	55344	1	29	SPRING-adjustment needle	† 73075	2
12	PLUG-screw	68297	1	30	SCREW-main adjustment	63676	1
13	LEVER-choke	66397	1	31	SCREW-idle adjustment	63677	1
14	SHAFT-choke	65799	1	32	SHAFT-throttle w/lever	A-67995	1
15	SPRING-choke friction	73264	1	33	SPRING-throttle opening	† 59460	1
16	BALL-choke friction	25527	2	34	GASKET-set	57866	1
17	SHUTTER-choke	66984	1	35	REPAIR KIT	57870	1
18	NEEDLE-inlet	68717	1				

† Included in Repair Kit

Note - 66284 Check Valves can be used in place of 54444 Check Valve for carburetors that are hard starting.

VI 944 and VI 955

Tools

23846-2	ANVIL-bearing remover (backplate)
23846-1	ANVIL-crankshaft installation
24304	BIT-pezidriv #2
22620-4	COLLAR-bearing installation
24230	DRIVER-hand pezidriv
A-23965	JACKSCREW (crankshaft)
A-23962	JACKSCREW-bearing remover (backplate)
24006-1	PLATE-crankshaft aligning
23956	PLUG-bearing and seal installation (backplate)
23420	PLUG-bearing installation
23955	PLUG-bearing installation (conn. rod)
24302	PLUG-seal installation (backplate)
23957	PLUG-seal installation (crankcase)
A-23960	PULLER-rotor
24306	SHIM-(black) air gap
23987	SHIM-magneto air gap
23136-1	SLEEVE-bearing and shaft installation
23972	SLEEVE-seal installation (crankcase)
23971	SLEEVE-seal protecting (crankcase)
A-22808	WRENCH-combination (VI-955)
A-23937-B	WRENCH-combination (VI-944)
23528	WRENCH- hex soc. screw (conn. rod)
A-23696-A	WRENCH-spanner

Accessories

A-24279	KIT-fastening parts
A-24270	KIT-filter
A-24413	KIT-guide bar plate
A-24274	KIT-ignition
23488-B	KIT-Loctite
A-24286	KIT-starting rope
67084-1	REEL-250 ft., starting rope

Paint

22772	SPRAY CAN-black
23475	SPRAY CAN-red

