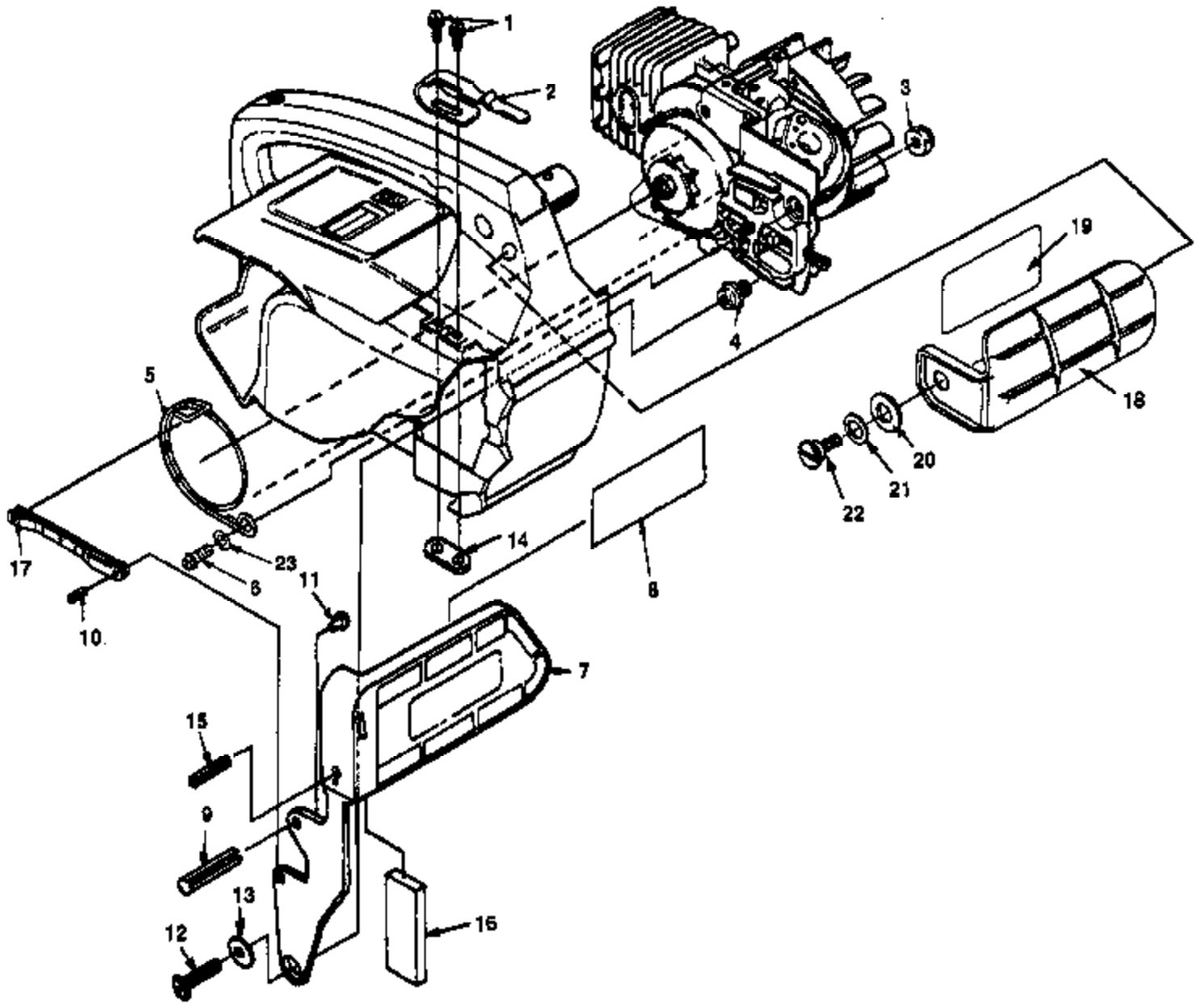


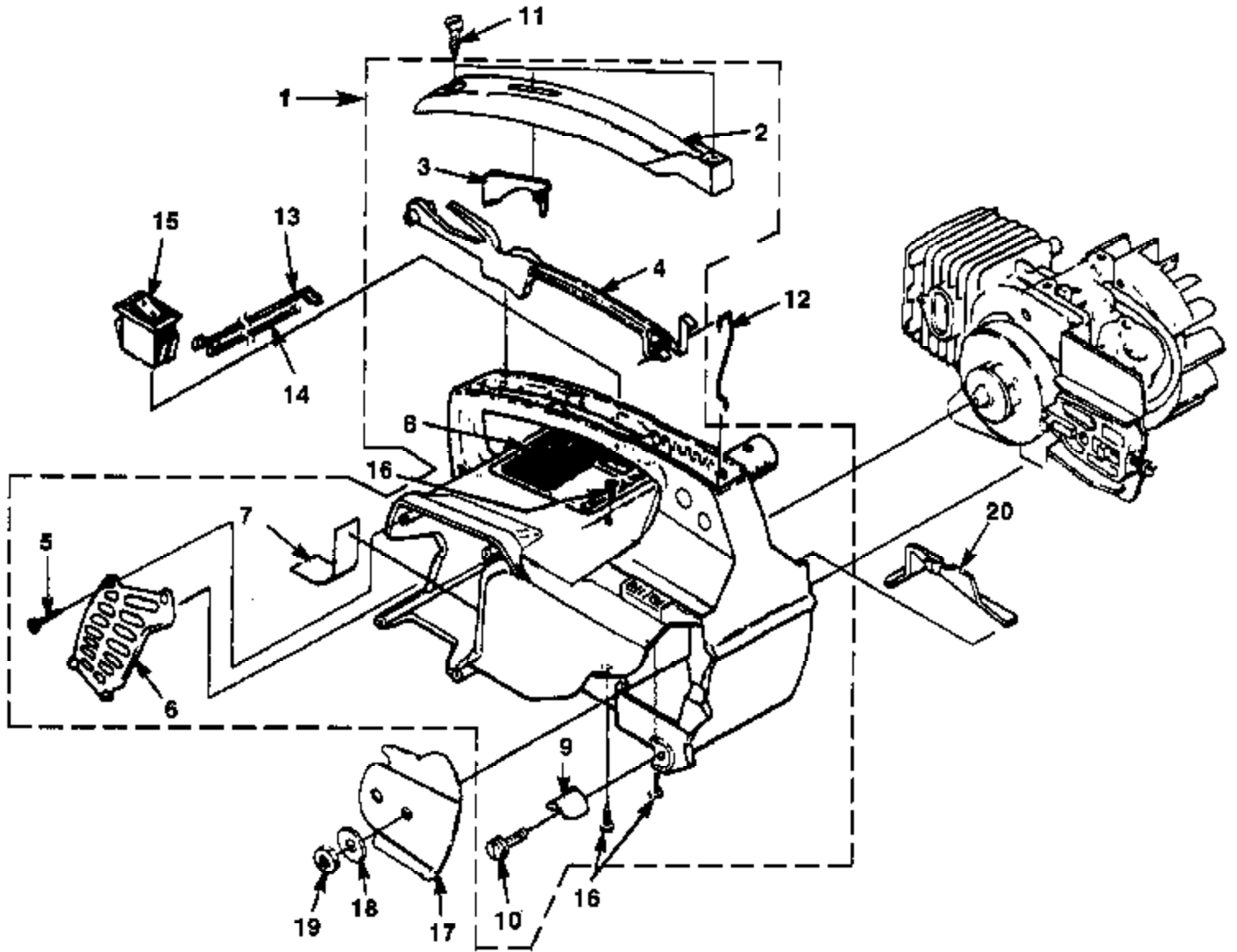
No
Diagram
Available

Parts List
Only

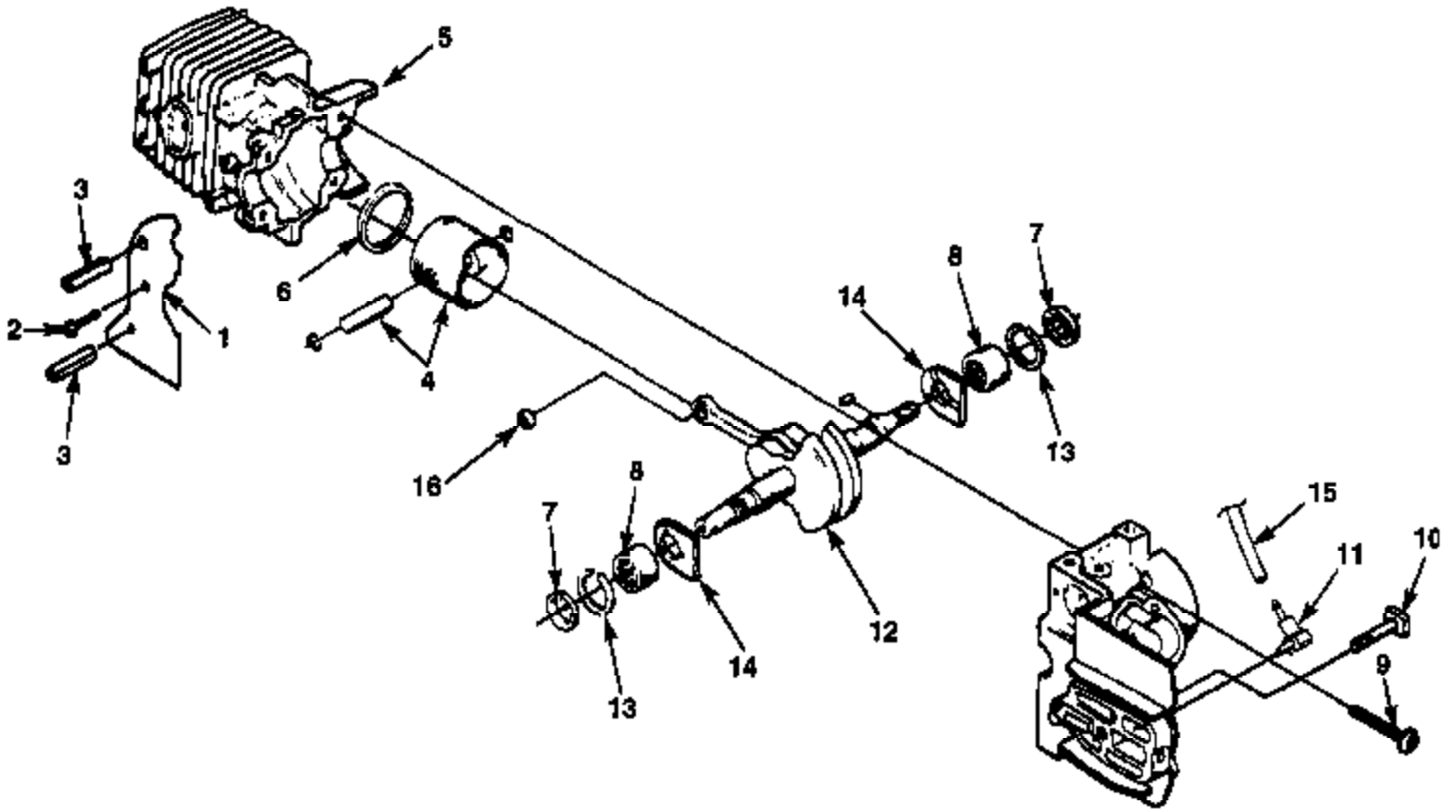
Ref #	Part Number	Qty	Description
	A70776B		SAFE T TIP (Standard)
	18453		GREASE - Multi Purpose
	A70239E		KIT - Repair (sprocket nose bar)
	D24814B		WRENCH (combination)
	PS24823		SILASTIC (crankcase sealing)
	A24747A		PULLER - Magneto Rotor
	HT10001O4		GUIDE BAR
	H1N7242AH		(35-MD50-42) CHAIN
	HT12001O4		GUIDE BAR
	H1N7248BH		(35-MD50-48) CHAIN
	PT12371O4		GUIDE BAR
	H1N7248BH		(35-MD50-48) CHAIN
	PT14371O4		GUIDE BAR
	H1N7253AH		(35-MD50-53) CHAIN
	PT16371O4		GUIDE BAR
	H1N7259AH		(35-MD50-53) CHAIN
	PT18371O4		GUIDE BAR
	H1N7264AH		(35-MD50-64) CHAIN
	JA313164		IGNITION TEST SPARK PLUG
	22486		SHIM (0.015" AIR GAP)
	2498201		T25 TORX DRIVE BIT
	1856601		T27 TORX DRIVE BIT



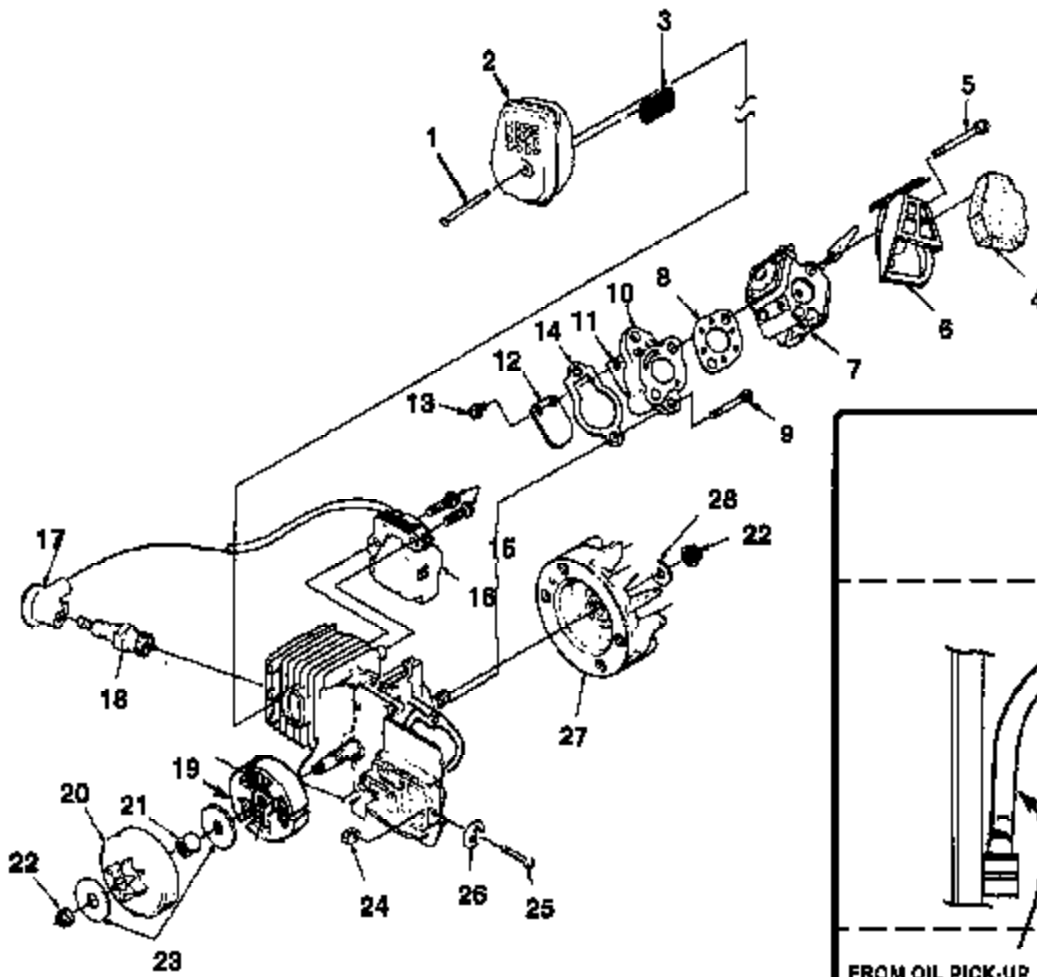
Ref #	Part Number	Qty	Description
1	88043	2	SCREW - Hex Hd. w/Washer (8-32 X 1/2")
2	02635	1	CLIP - Retaining
3	81124A	1	NUT - Hex, Jam
4	70636	1	POST - Chain Brake
5	70637C	1	BAND - Brake
6	82538	1	SCREW - Thread Form (10-24 x 3/4")
7	A03061A	1	HANDGUARD & LEVER (200, Super 2 SL)
8	02661	1	DECAL - Safety
9	JA461383	1	PIN - Roll (3/16 X 1")
10	95395A	1	PIN - Roll
11	82367	1	SCREW - Drive
12	82166	1	SCREW - Machine, Pan Hd. (10-32 X 1/2")
13	70632	1	WASHER - Flat
14	02637	1	NUT - Weld
15	JA461361	1	PIN - Roll
16	07567	1	WEIGHT - Handle (International Only)
17	A70767	1	PIVOT - Link
18	A70796C	1	HANDGUARD KIT (Super 2, XL, 180 & 192)
19	02661	1	DECAL - Handguard
20	95694	1	WASHER - Curve Spring
21	96102	1	WASHER Flat
22	95714	1	SCREW - Shoulder
23	84008	1	WASHER - Flat (#10)



Ref #	Part Number	Qty	Description
1	A07553		ENGINE HOUSING KIT
2	02495	1	COVER - Handle
3	02493	1	LOCK - Trigger
4	02492A	1	TRIGGER
5	82528	4	SCREW - Pan, plastite (#6 X 3/8") (Torque Specs: 8-12 in/lbs, .9-1.4 Nm)
6	02765	1	SHIELD - Muffler
7	95615	2	TAPE
8	02506	1	DECAL - Warning
9	95212	1	STOP - Chain
10	82563	1	SCREW - Torx, plastite (#10 X 3/4") (Torque Specs: 30-50 in/lbs, 3.4-5.8 Nm)
11	94065	2	SCREW - Pan, plastite (#10-16 X 3/4") (Torque Specs: 15-20 in/lbs, 1.7-2.3 Nm)
12	02501	1	ROD - Throttle
13	A02482	1	LEAD - w/Flag Term.
14	A02484	1	LEAD - w/Ring Term.
15	02497	1	SWITCH
16	82538	4	SCREW - Torx, taptite (10-24 X 3/4") (Torque Specs: 55-65 in/lbs, 6.3-7.5 Nm)
17	04440	1	PLATE - Guide Bar
18	69309A	1	WASHER - Flat
19	810652	1	NUT - Hex
20	02481A	1	COVER - AIR Filter

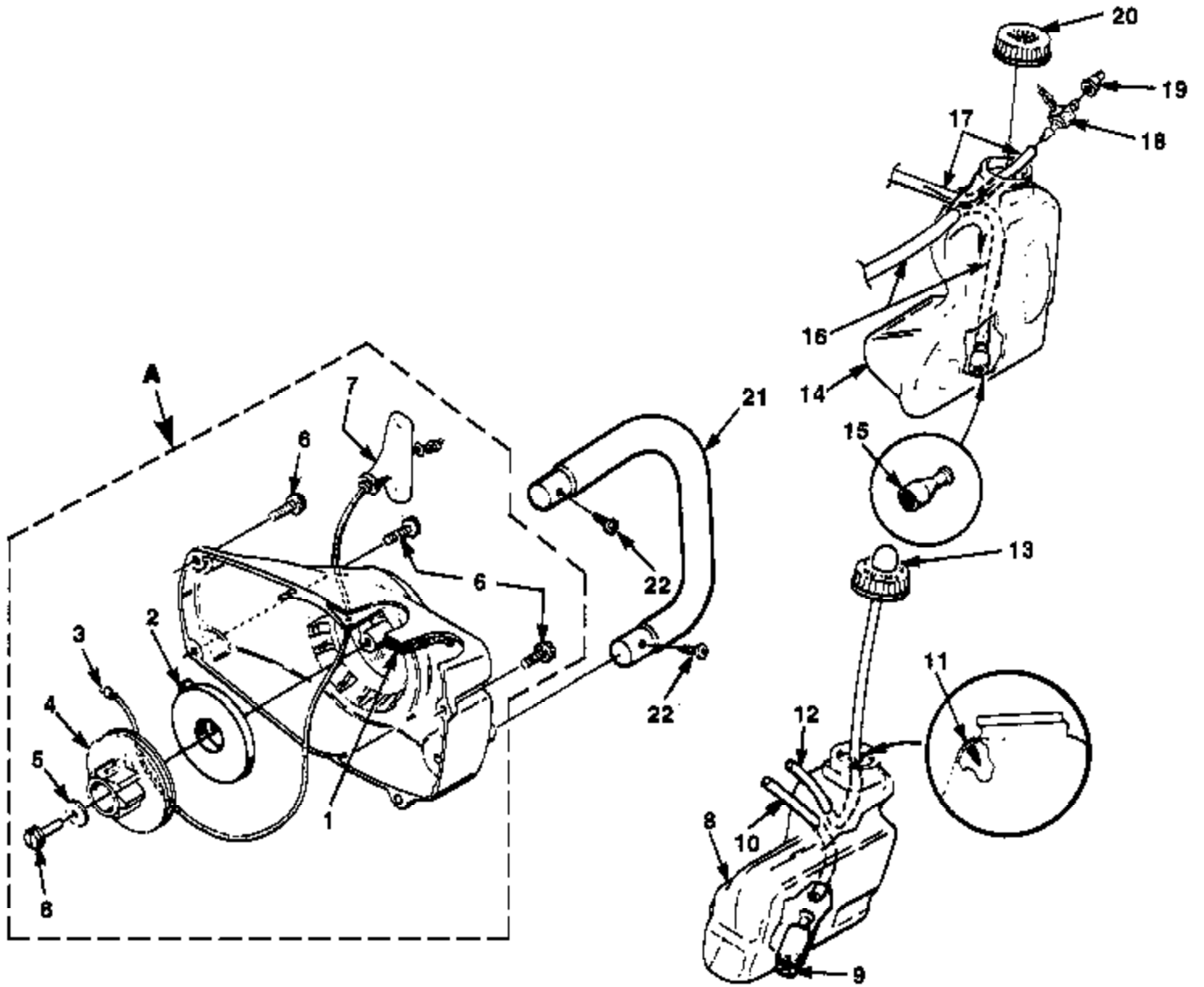


Ref #	Part Number	Qty	Description
1	02639	1	SAW DUST SHIELD
2	93932	1	SCREW - Tapping (#6-32 x 5/16")
3	70763	2	PIN - Roll (5/32 x 1 1/8") (Brake Model Only)
	A001321A	1	SHORT BLOCK (XL,[180 Canada])
	UP00068	1	SHORT BLOCK (XL,[180 Canada])
4	A04330	1	PISTON & PIN ASSY.
5	024855	1	CYLINDER
	UP00069	1	CYLINDER (After S/N HR0010001)
6	93165	1	RING - Piston
7	07025	2	SEAL Shaft
8	12530	2	BEARING - Needle
9	82567	4	SCREW - Torx Pan Hd. (10-24 x 1 1/8")
10	69195	1	BOLT - Guide Bar
11	07510	1	VALVE - Check
12	A04602	1	CRANKSHAFT - Rod and Bearing
13	07025	2	SEAL - Shaft
14	03962	2	WASHER - Thrust
15			TUBING - Rubber (Oil Line) (Not used on this model.)
16			BEARING - Wrist Pin (Not used on this model.)



<p>PRESSURE PULSE LINE FROM CARBURETOR BRASS ELBOW TO DUCK BILL IN OIL TANK. 2 3/4" LONG. 07454-20</p>		
<p>FROM OIL PICK-UP TO CHECK VALVE FITTING. 8' OVERALL LENGTH WITH 3 3/4" OUT OF TANK. 07454-32</p>	<p>FUEL INLET LINE FROM PICK-UP TO FITTING ON BOTTOM OF CARBURETOR. 5 1/2" LONG OVERALL WITH 1 3/4" OUT OF TANK. 07454-22</p>	<p>PRIMER INLET LINE FROM CARBURETOR FITTING UNDER ADJUSTING SCREWS TO PRIMER FITTING. 8 1/4" LONG WITH 2 1/2" OUT OF TANK. 07454-25</p>

Ref #	Part Number	Qty	Description
1	93460	1	SCREW - Machine Hex Sems (#8-32 X 3/4") (Torque Specs: 50-60 in/lbs, 5.7-6.9 Nm)
2	A02459	1	MUFFLER
3	02458	1	SCREEN - Spark Arrestor
4	02500	1	FILTER - Air
5	00167	2	SCREW - Thread Forming (Torque Specs: 35-45 in/lbs, 4.0-5.2 Nm)
6	02491A	1	BOX - Air Filter
7	A01373B	1	CARBURETOR (Zama)
8	02488	1	GASKET - Carburetor
9	82589	2	SCREW - Plastite, (10-14 X 1") (Torque Specs: 65-75 in/lbs, 7.5-8.6 Nm)
10	A02499	1	HEAT DAM
11	95983	1	REED
12	03205	1	STOP - Reed
13	82498	2	SCREW - Hex Taptite (4-40 X 3/8") (Torque Specs: 10-15 in/lbs, 1.1-1.7 Nm)
14	02453	1	GASKET - Intake Manifold
15	82540	2	SCREW - Thread Forming (8-32 X 1") (Torque Specs: 30-40 in/lbs, 3.5-4.6 Nm)
16	94711CS	1	MODULE - Ignition
17	A33055	1	TERMINAL
18	96169S	1	SPARK PLUG (Champion DJ7Y) (Torque Specs: 120-180 in/lbs, 13.8-20.7 Nm)
	79252	1	SPARK PLUG (Champion RDJ7Y) (Torque Specs: 120-180 in/lbs, 13.8-20.7 Nm)
19	A97921A	3	CLUTCH KIT
20	A95653E	1	SPROCKET & DRUM
21	70277	1	BEARING
22	81229A	2	NUT - Rotor (5/16-24) (Torque Specs: 100-150 in/lbs, 11.5-17.3 Nm)
23	95299	2	WASHER - Thrust
24	692542	1	PIN - Adjusting
25	A00440	1	SCREW & E-RING KIT
26	93574	1	E-RING
27	A04158S	1	ROTOR & STARTER PAWL
28	84065	1	WASHER - 5/16"
0745432	0745432	1	LINE - (8")
0745420	0745420	1	PRESSURE PULSE LINE
0745425	0745425	1	PRIMER INLET LINE
0745422	0745422	1	FUEL INLET LINE



Ref #	Part Number	Qty	Description
A	A06268A	1	STARTER ASSY., Complete
1	69443	1	FILTER
2	A97908	1	SPRING & CONTAINER
3	9789901	1	ROPE - Starter (46")
	98052A	1	ROPE - Starter (250 Ft. Reel)
4	97768B	1	PULLEY - Starter
5	94062	1	WASHER - Retaining
6	82563	5	SCREW - Torx (#10 X 3/4") (Torque Specs: 30-50 in/lbs, 3.4-5.8 Nm)
7	02264	1	GRIP - Starter
8	A06272	1	FUEL TANK
9	49422	1	FILTER - Fuel
10	0745422	1	LINE - Fuel (5 1/2")
11	98819	1	VALVE - Duck Bill
12	0745425	1	TUBING - Return (6 1/4")
	0745499	1	TUBING - Rubber (10 Ft. Length)
13	A01372A	1	PRIMER & CAP
14	A07554	1	OIL TANK
15	A68593	1	FINDER - Oil
16	0745432	1	TUBING - Rubber (8")
17	0745420	1	TUBING - Rubber (5")
18	A07508	1	FITTING - Vent
19	96841	1	VALVE - Check
20	A97359A	1	OIL CAP
21	A07558	1	HANDLE BAR
22	94065	2	SCREW - Pan Plastite (#10-16 X 3/4") (Torque Specs: 15-20 in/lbs, 1.7-2.3 Nm)