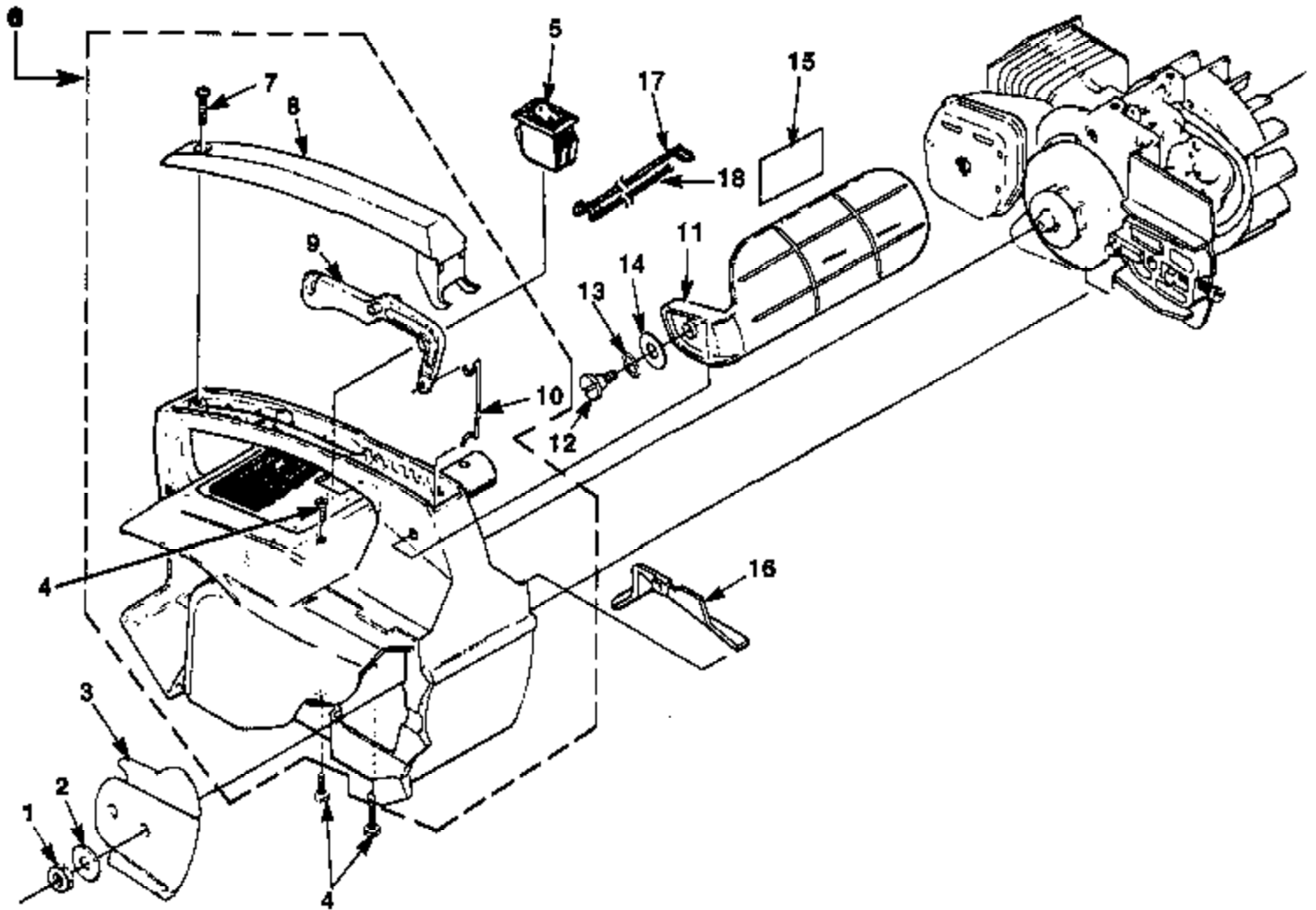


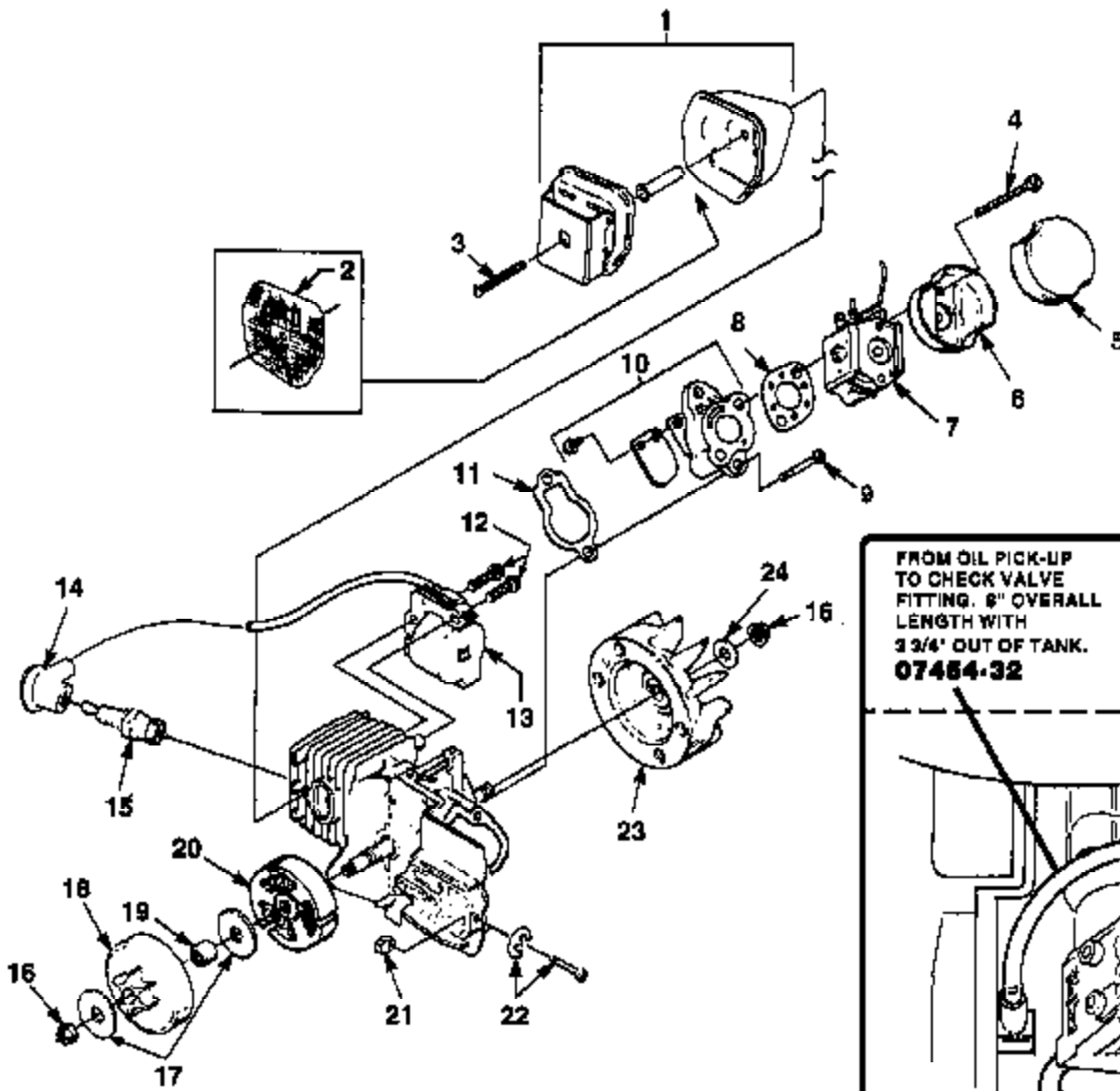
No
Diagram
Available

Parts List
Only

Ref #	Part Number	Qty	Description
	A70776B		SAFE T TIP (Standard)
	18453		GREASE-Multi Purpose
	A70239E		KIT-Repair (sprocket nose bar)
	D24814B		WRENCH (combination) TOOLS
	PS24823		SILASTIC (crankcase sealing) TOOLS
	A24747A		PULLER-Magneto Rotor TOOLS
	HT10001O4		GUIDE BAR
	H1N7242AH		(35-MD50-42) CHAIN
	HT12001O4		GUIDE BAR
	H1N7248BH		(35-MD50-48) CHAIN
	PT12371O4		GUIDE BAR
	H1N7248BH		(35-MD50-48) CHAIN
	PT14371O4		GUIDE BAR
	H1N7253AH		(35-MD50-53) CHAIN
	PT16371O4		GUIDE BAR
	H1N7259AH		(35-MD50-53) CHAIN
	GP203225		IGNITION TEST SPARK PLUG
	22486		SHIM (0.015" AIR GAP)
	2498201		T25 TORX DRIVE BIT
	1856601		T27 TORX DRIVE BIT

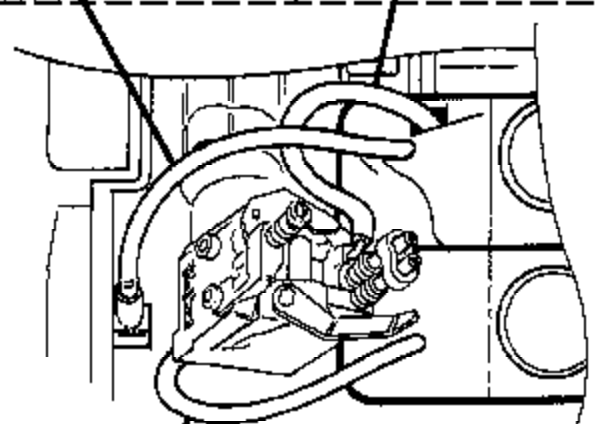


Ref #	Part Number	Qty	Description
1	810652	1	NUT - Guide Bar (Torque Specs: Hand Tight)
2	69309A	1	WASHER - Flat
3	04440	1	PLATE - Guide Bar
4	82538	4	SCREW - Pan Hd. (10-24 X 3/4") (Torque Specs: 55-65 In/Lbs, 6.3-7.5 Nm)
5	02497	1	SWITCH - Rocker
6	A07551	1	ENGINE HOUSING KIT
7	82312	1	SCREW - Pan Hd. (#10 X 5/8") (Torque Specs: 15-20 In/Lbs, 1.7-2.3 Nm)
8	69872A	1	COVER - Handle
9	69874D	1	TRIGGER
10	00138	1	ROD - Throttle
11	A70796C	1	HANDGUARD
12	95714	1	SCREW - Shoulder (#10 X .560) (Torque Specs: 40-50 In/Lbs, 4.6-5.7 Nm)
13	95694	1	WASHER - Curved Spring
14	96102	1	WASHER - Flat
15	02661	1	DECAL - Handguard
16	69263	1	COVER - Air Filter
17	A02484	1	LEAD - Ring Term.
18	A02482	1	LEAD - Double Flag



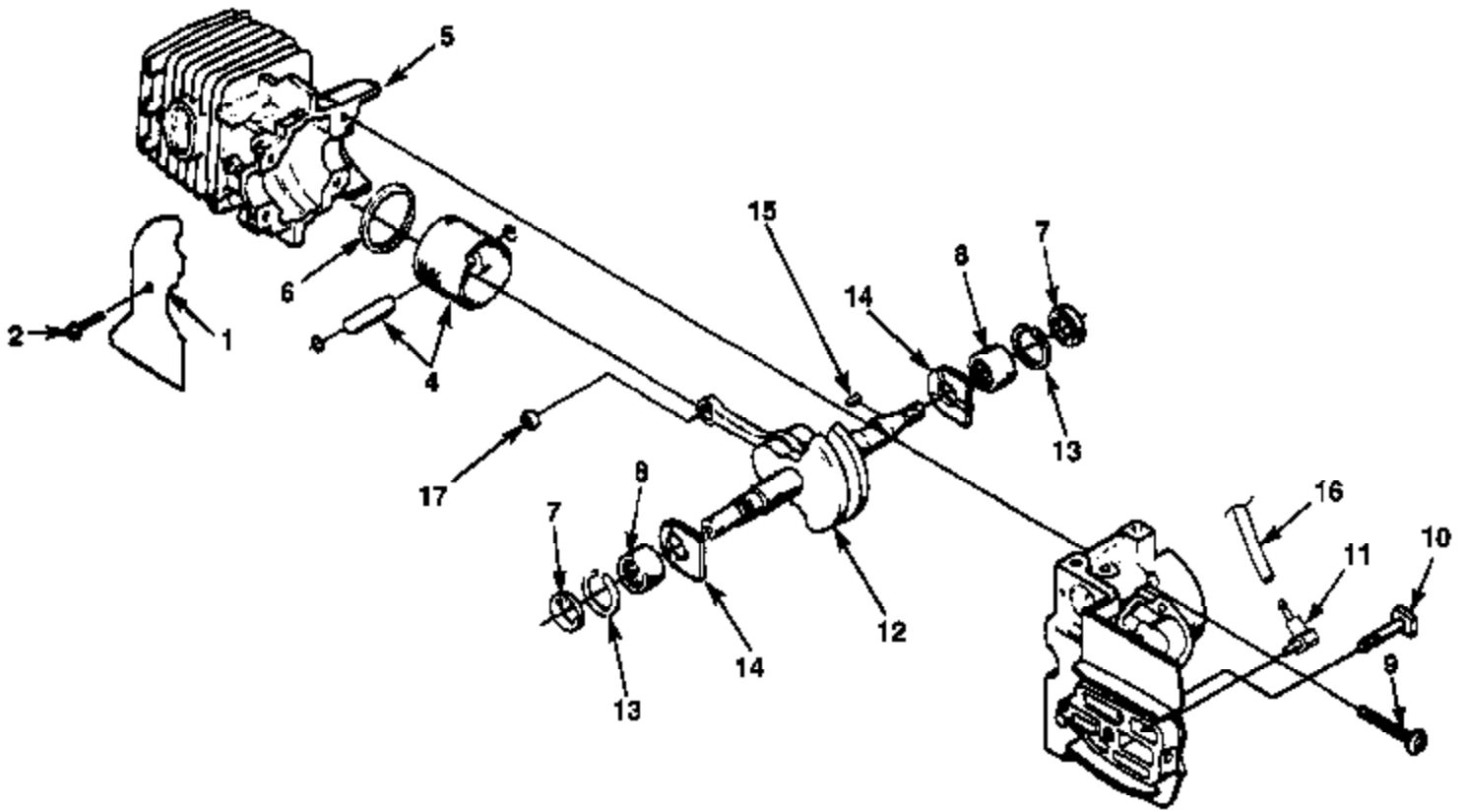
FROM OIL PICK-UP
TO CHECK VALVE
FITTING. 8" OVERALL
LENGTH WITH
3 3/4" OUT OF TANK.
07454-32

PRESSURE PULSE LINE
FROM CARBURETOR
BRASS ELBOW TO
DUCK BILL IN OIL TANK.
2 3/4" LONG.
07454-20

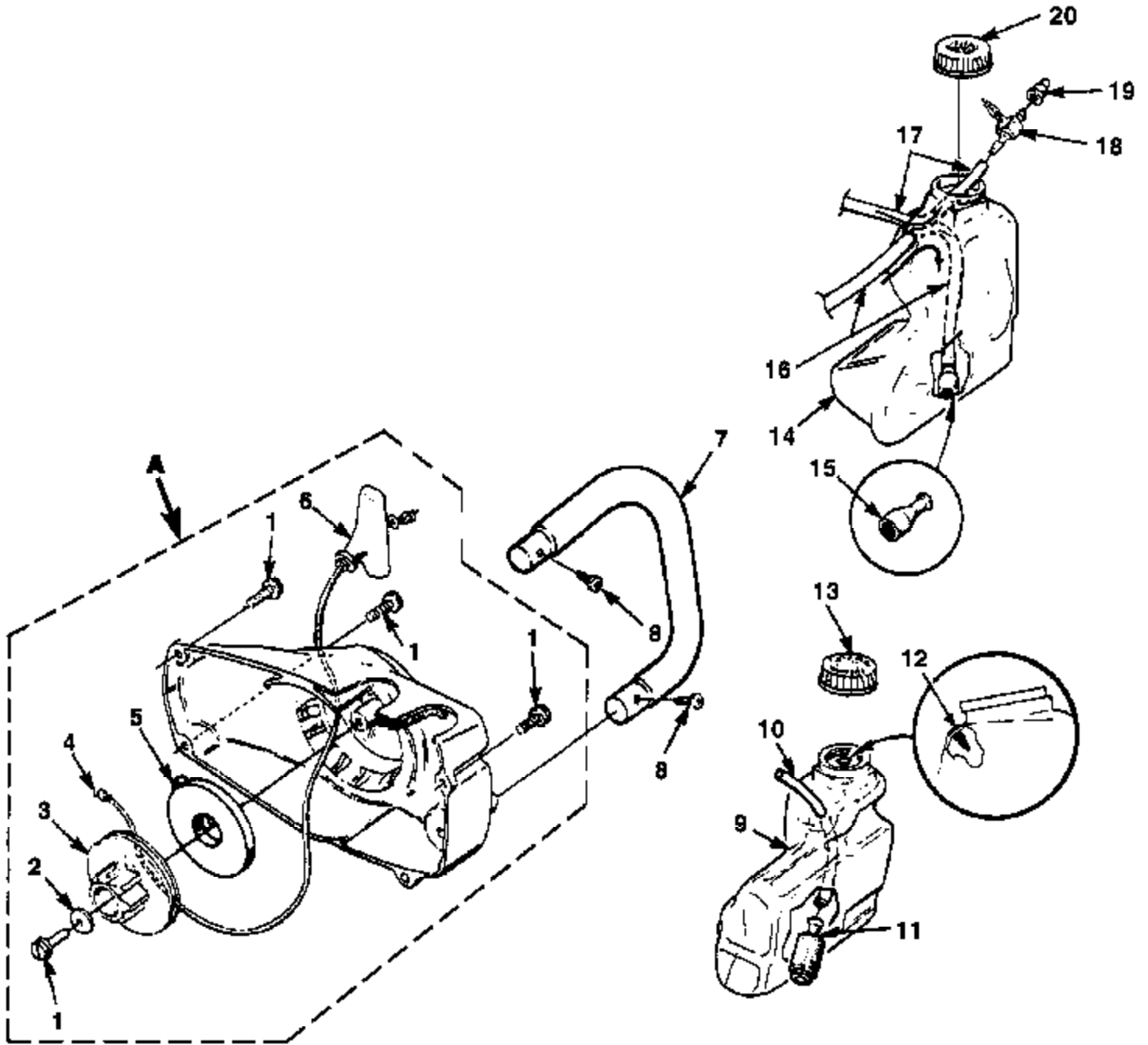


FUEL INLET LINE FROM PICK-UP TO FITTING ON
BOTTOM OF CARBURETOR.
8 1/2" LONG OVERALL WITH 1 3/4" OUT OF TANK.
07454-2B

Ref #	Part Number	Qty	Description
1	A06374	1	MUFFLER - Complete
2	93991A	1	SCREEN - Spark Arrestor
3	93460	1	SCREW - Sems (10-24 X 1 7/8") (Torque Specs: 50-60 In/Lbs, 5.7-6.9 Nm)
4	00167	2	SCREW - Thd. Form. (#8 X 1.65) (Torque Specs: 35-45 In/Lbs, 4.0-5.2 Nm)
5	69141	1	FILTER - Air
6	69148	1	CUP - Filter
7	UP00750	1	CARBURETOR KIT
8	02488	1	GASKET - Carburetor
9	82537	2	SCREW - Thread Form. (#10-24 X 7/8") (Torque Specs: 65-75 IN/Lbs, 7.5-8.6 Nm)
10	A02153	1	HEAT DAM & REED
11	02453	1	GASKET - Heat Dam
12	82540	2	SCREW - Thread Form. (8-32 X 1") (Torque Specs: 30-40 In/Lbs, 3.4-4.6 Nm)
13	94711CS	1	MODULE - Ignition
14	A33055	1	TERMINAL
15	96169S	1	SPARK PLUG (Torque Specs: 120-180 In/Lbs, 13.8-20.7 Nm)
	79252	1	SPARK PLUG (Int'l) (UT-10716-B)
16	81229A	2	NUT - Cone Lock (5/16-24)
17	95299	2	WASHER - Thrust
18	A95653E	1	SPROCKET & DRUM
19	70277	1	BEARING
20	A97921	3	CLUTCH KIT
21	692542	1	PIN - Guide Bar Adjusting
22	A00440	1	SCREW & E RING KIT
23	A04158S	1	ROTOR & STARTER PAWLS
24	84065	1	WASHER - (5/16")
0745432	0745432		Line
0745420	0745420		Pressure Pulse Line
0745428	0745428		Fuel Inlet Line



Ref #	Part Number	Qty	Description
1	02639	1	SAW DUST SHIELD
2	93932	1	SCREW- Tapping (06-32 x 5/16") (Torque Specs: 18-24 In/Lbs, 2.0-2.8 Nm)
3	A001321A	1	SHORT BLOCK
	UP00068	1	SHORT BLOCK (After S/N HR0010001)
4	A04330	1	PISTON & PIN ASSY.
5	024855	1	CYLINDER
	UP00069		CYLINDER (After S/N HR0010001)
6	93165	1	RING - Piston
7	07025	2	SEAL - Shaft
8	12530	2	BEARING - Needle
9	82567	4	SCREW - Torx Pan Hd. (10-24 x 1 1/8") (Torque Specs: 65-75 In/Lbs, 7.5-8.6 Nm)
10	69195	1	BOLT - Guide Bar
11	07510	1	VALVE - Check
12	A97611A	1	CRANKSHAFT - Rod and Bearing
13	69407	2	SPACER
14	03962	2	WASHER- Thrust
15	69250	1	KEY-Woodruff
16	0745432	1	TUBING - Rubber (Oil Line) (8")
17	02035	1	BEARING - Wrist Pin



Ref #	Part Number	Qty	Description
A	A06268A	1	STARTER ASSY., Complete
1	82563	5	SCREW - Torx (#10 X 3/4") (Torque Specs: 30-50 In/Lbs, 3.4-5.8 Nm)
2	94062	1	WASHER - Retaining (#10)
3	97768B	1	PULLEY - Starter
4	9789901	1	ROPE - Starter (46")
	98052A	1	ROPE - Starter (250 Ft. Reel)
5	A97908	1	SPRING & CONTAINER
6	02264	1	GRIP - Starter
7	A07633	1	HANDLE BAR
8	94065	2	SCREW - Pan Plastite (#10-16 X 3/4") (Torque Specs: 15-20 In/Lbs, 1.7-2.3 Nm)
9	A00174	1	FUEL TANK
10	0745428	1	TUBING - Rubber (7")
11	49422	1	FILTER - Fuel
12	98819	1	VALVE - Duck Bill
13	A97359A	1	FUELCAP
14	A07552	1	OIL TANK
15	A68593	1	FINDER - Oil
16	0745432	1	TUBING - Rubber (8")
17	0745420	1	TUBING - Rubber (5")
18	A07507	1	FITTING - Vent
19	96841	1	VALVE - Check
20	A97359A	1	OIL CAP