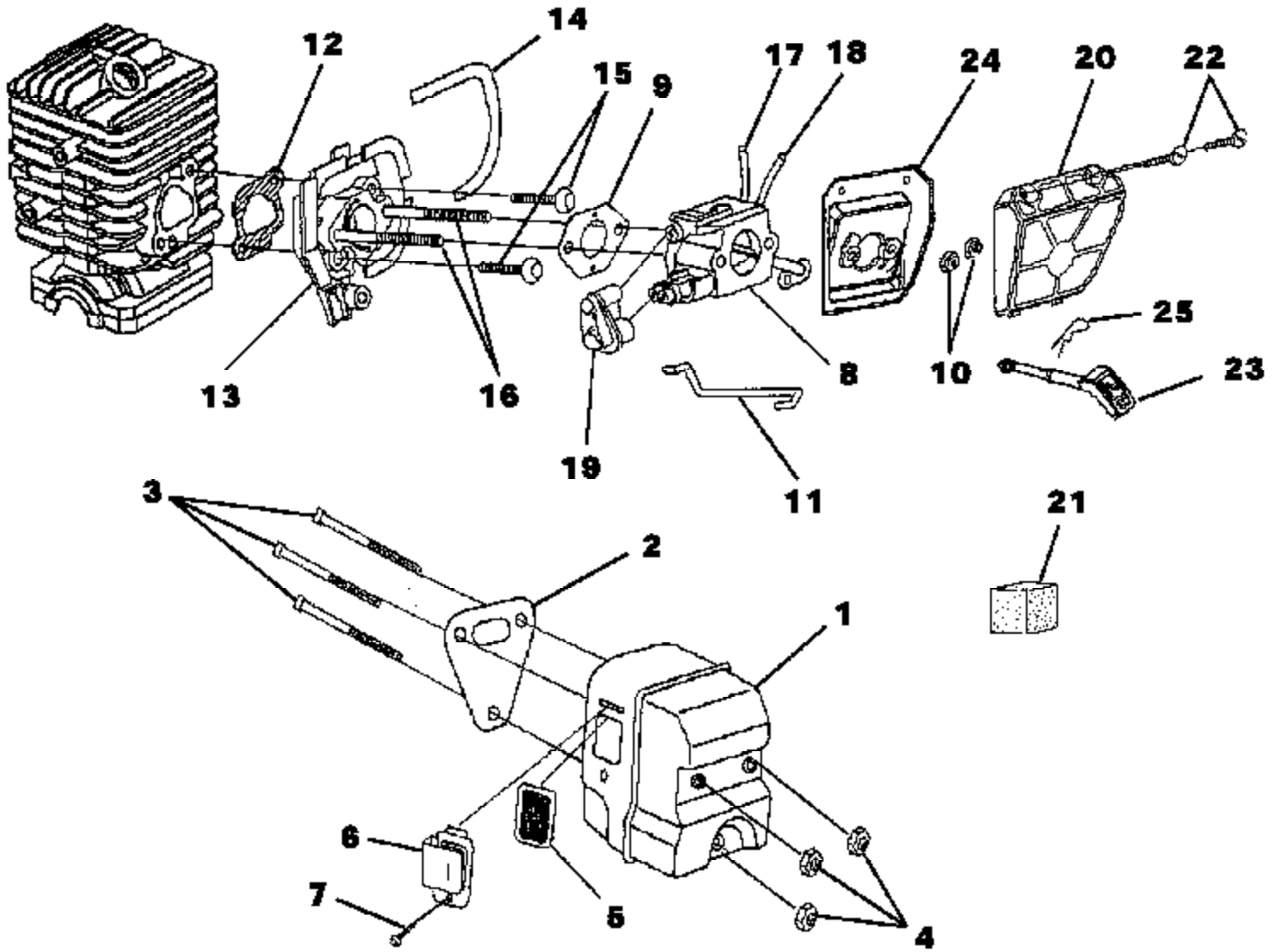


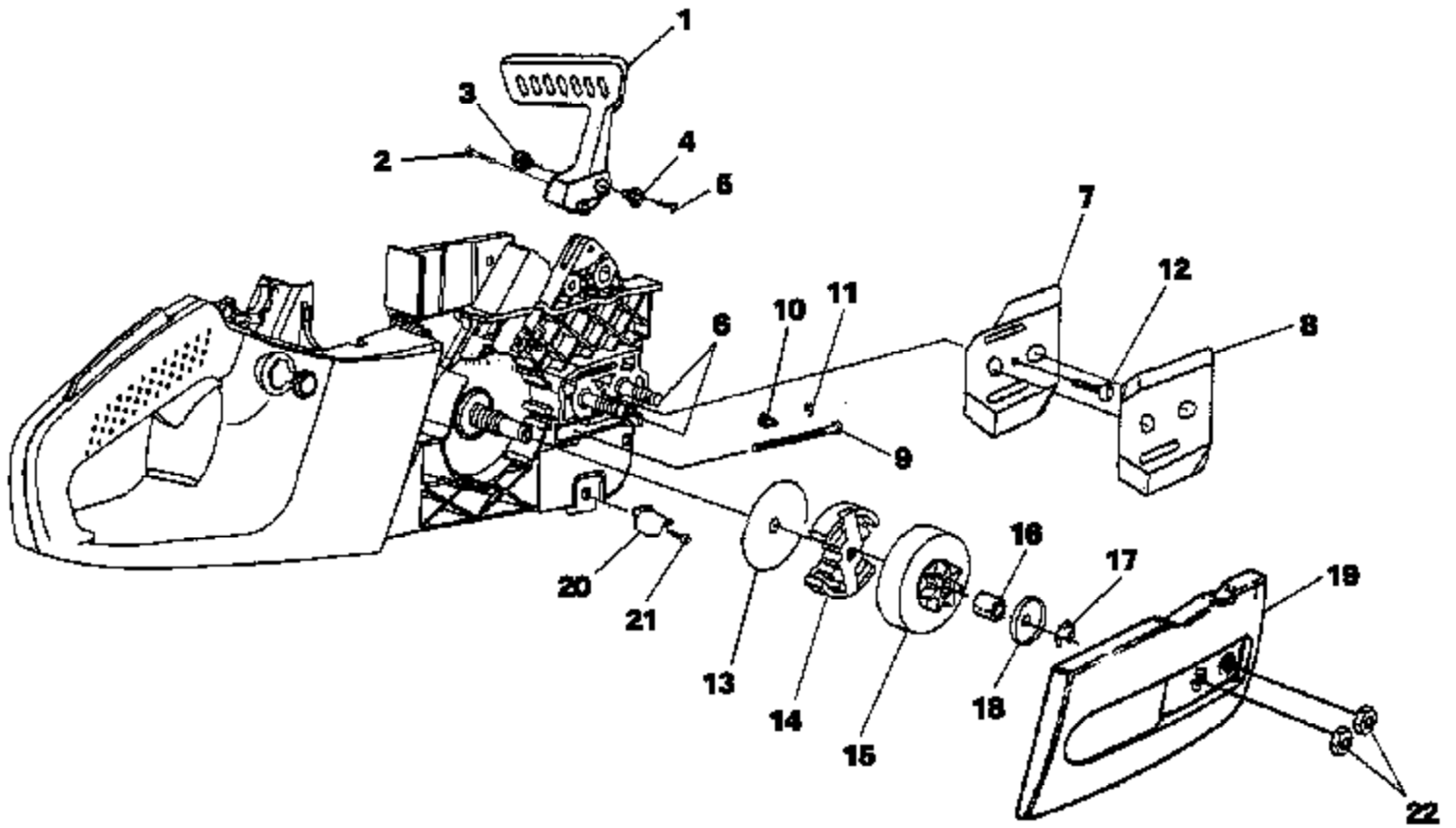
No  
Diagram  
Available

Parts List  
Only

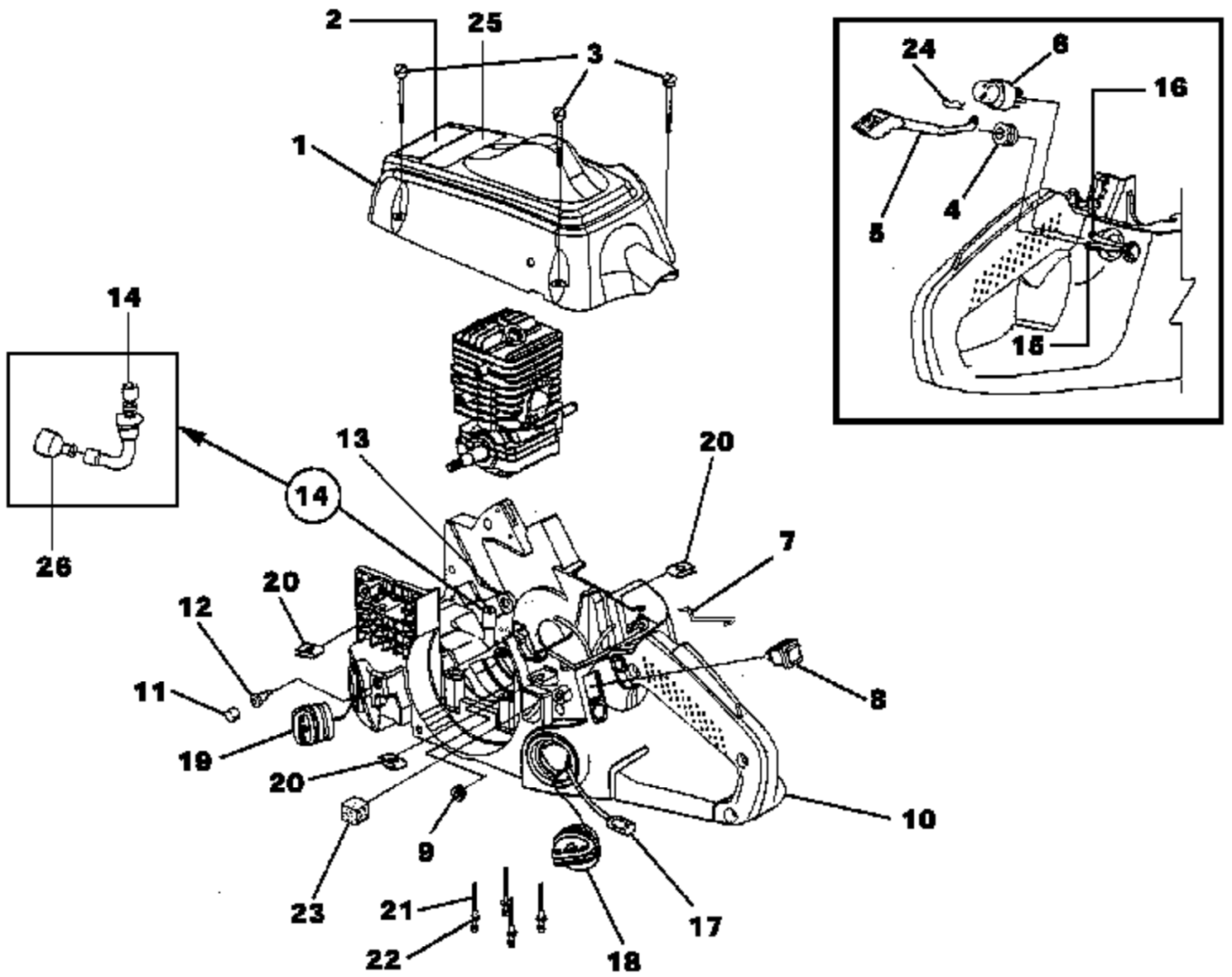
Ref #	Part Number	Qty	Description
	PT12371MD		12" Guide Bar (Power Tip) (3/8")
	H1N7245AH		12" Chain (3/8")
	PT14371MD		14" Guide Bar (Power Tip) (3/8")
	H1N7252AH		14" Chain (3/8")
	PT16371MD		16" Guide Bar (Power Tip) (3/8")
	H1N7256AH		16" Chain (3/8")
	PT18371MD		18" Guide Bar (Power Tip) (3/8")
	H1N7262AH		18" Chain (3/8")
	PS24823		Sealant Silicon
	UP06561		Rubber tubing (10')
	09207		Wrench - Combination
	18416		Digital Tachometer
	18453		Grease, Multi-purpose
	94194		Compression Tester
	UP07160		Bit, Torx T27
	UP04562		Carry Case
	UP06732		Bumper Spike Kit



Ref #	Part Number	Qty	Description
1	UP06752	1	Muffler Kit
2	UP04183	1	Muffler Gasket
3	UP04049	3	Screw-Square Hd.
4	UP04059	3	Nut-Locking Hex (10-32) Torque Spec 50 - 60 in/lbs (5.6 - 6.7 Nm)
5	UP04203	1	Screen, Spark
6	UP04204	1	Deflector, Muffler
7	UP04244	1	Screw (8-32 x .312)
8	A09159	1	Carburetor Assembly
9	UP04094	1	Carburetor Gasket
10	UP04217	2	Flange Nut (10-24) Torque Spec 30 - 40 in/lbs (3.4 - 4.5 Nm)
11	UP04230	1	Throttle Wire
12	UP04184	1	Gasket, Heat Dam
13	UP04173	1	Heat Dam
14	UP04191	1	Seal, Heat Dam
15	UP04084	2	Screw, Truss Hd. Taptite (10-24 x 7/8") Torque Spec 45 - 55 in/lbs (5.0 - 6.2 Nm)
16	UP04189	2	Screw, Carburetor
17	UP04211	1	Fuel Line (Tank to Carburetor 8 1/2")
18	UP04209	1	Fuel Line (Carburetor to Purge Bulb 4")
19	UP04171	1	Carburetor Grommet
	UP06753	1	Air Filter Kit
20	UP04533	1	Air Filter Cover
21	UP04208	1	Pre Filter (In engine housing)
22	UP04235	2	Screw-Slotted Pan Hd. (8-16 x 5/8") Torque Spec 15 - 20 in/lbs (1.7 - 2.3 Nm)
23	UP04213	1	Rod, Choke
24	UP04178	1	Air Filter Plate
25	UP04227	1	Spring Clip (Choke Rod)

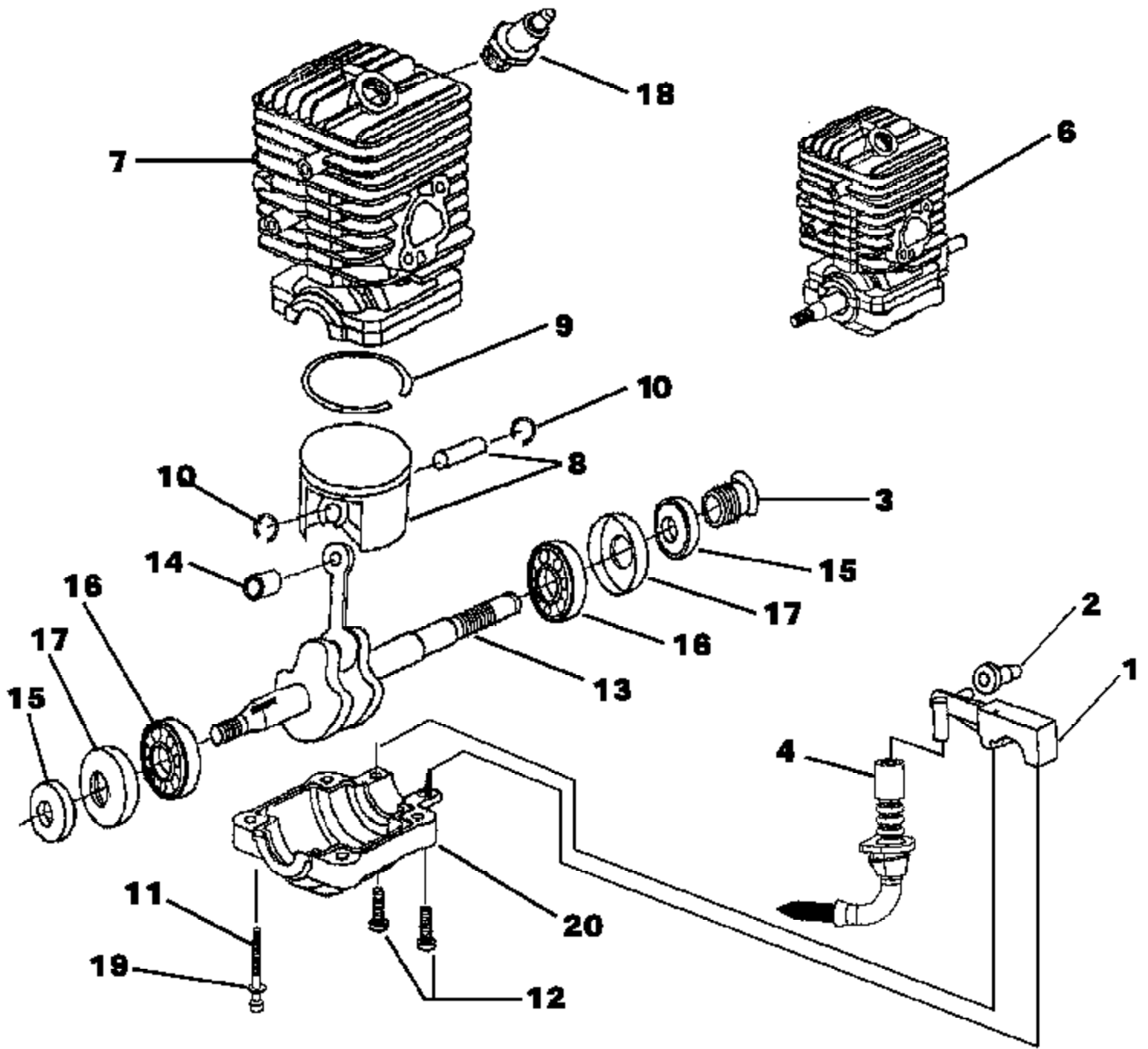


Ref #	Part Number	Qty	Description
1	UP06568	1	Hand Guard Kit
2	UP03898	1	Screw-Thd. form. (#8-14 x .625)
3	UP04202	1	Pivot, L.H.
4	UP04201	1	Pivot, R.H.
5	UP04240	1	Screw, Hex Socket Hd. (8-32 x 5/8") Torque Spec 25 - 35 in/lbs (2.8 - 3.9 Nm); Required Loctite 242 Blue
6	UP04180	2	Guide Bar Bolt
	UP06966	1	Guide Bar Adjusting Kit
7	UP04206	1	Plate, Guide Bar
8	UP04085	1	Plate, Guide Bar
9	UP04187	1	Screw, Guide Bar Adjusting
10	UP04186	1	Pin, Guide Bar Adjusting
11	UP04056	1	Ring, Retaining
12	UP04082	1	Screw, Thread Form., Plastite (6-19 x 1/2") Torque Spec 8 - 18 in/lbs (0.9 - 2.0 Nm)
13	UP04182	1	Thrust Washer
14	UP06727	1	Clutch & Hardware Torque Spec 130 - 180 in/lbs (14.7 - 20.3 Nm)
15	UP06967	1	Sprocket, Drum (3/8 Pitch)
16	UP04175	1	Bearing, Needle
17	UP04228	1	Ring, Retaining
18	UP04179	1	Washer, Cupped
19	UP06975	1	Drive Case Cover
20	UP04088		Stop, Chain
21	UP03900	1	Screw, Thread Form., Plastite (10-14 x 3/4") Torque Spec 30 - 50 in/lbs (3.4 - 5.6 Nm)
22	UP04058	2	Nut, Hex Torque Spec - Hand Tight

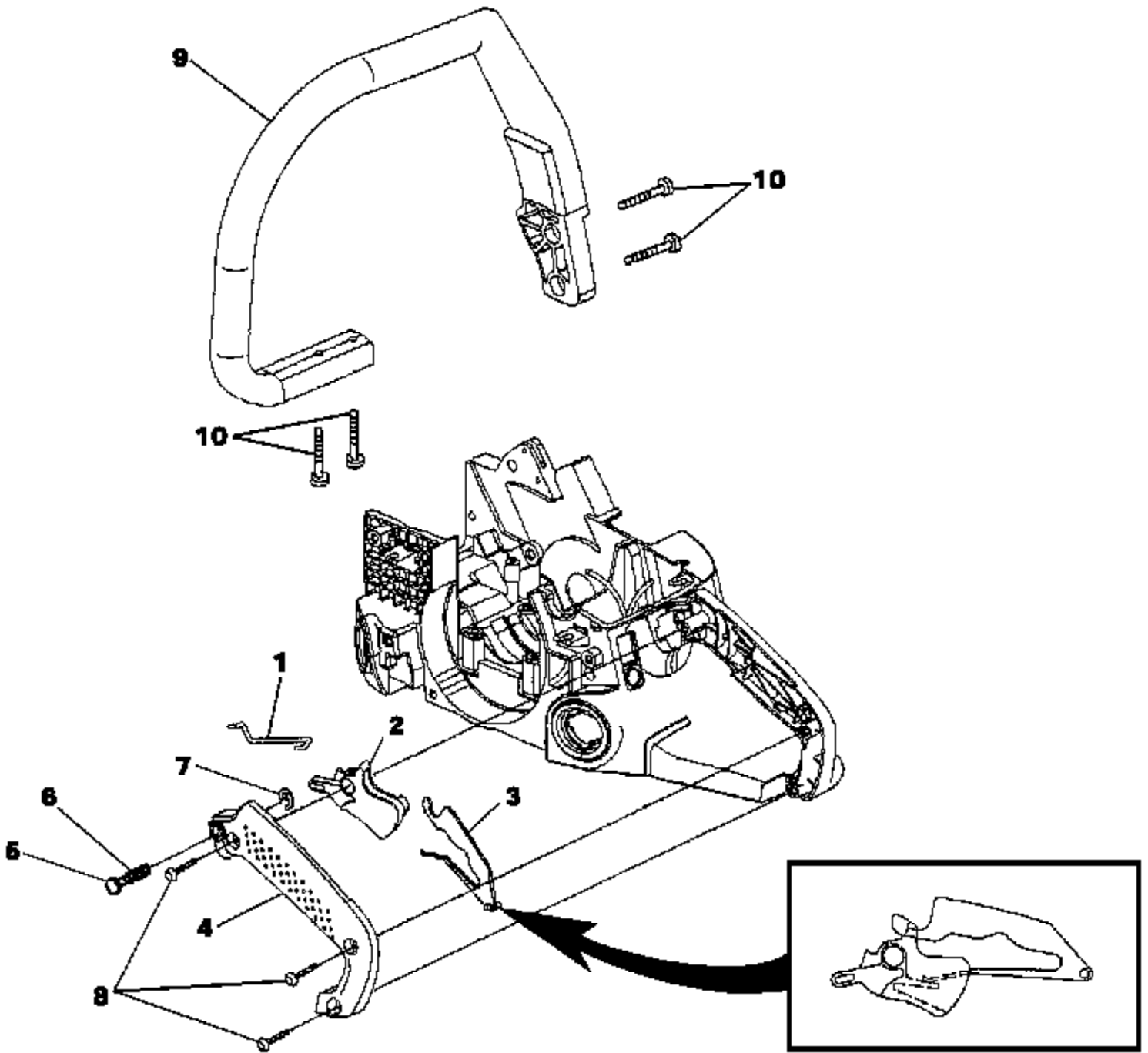


Ref #	Part Number	Qty	Description
1	A09162	1	Cylinder Cover Kit
2	UP04212	1	Safety Decal
3	UP04219	3	Screw-Slotted Pan Hd. Torque Spec 15 - 25 in/lbs (1.7 - 2.8 Nm)
4	UP04052	1	Grommet
5	UP04213	1	Rod, Choke
6	UP04033	1	Bulb, Air Purge
7	UP04230	1	Throttle Wire
8	UP04197	1	Switch, Rocker
9	UP04215	1	Grommet-Split
10	UP06751	1	Engine Housing
11	UP04205	2	Element, Filter (Bronze)
12	UP04045	2	Duck Bill Valve
13	UP04185	1	Oil Outlet Grommet
14	UP04048	1	Oil Intake Tube
15	UP04210	1	Rubber Tubing (5 1/2")
16	UP04211	1	Rubber Tubing (8 1/2")
17	UP03871	1	Fuel Filter
18	DA07590	1	Fuel Cap w/ Retainer
19	DA07591	1	Oil Cap w/ Retainer
	UP04054	1	Oil Filter (Not Shown)
	UP04180	2	Guide Bar Bolt (Not Shown)
20	UP04221	3	Speed Nut ("U-Type")
21	UP04083	4	Screw, Cap-Socket Hd. (10-24 x 2") Torque Spec 65 - 75 in/lbs (7.3 - 8.5 Nm); Required Loctite 262 Red
22	UP04087	4	Washer
23	UP04208	1	Pre Filter
24	UP04227	1	Spring Clip (Choke Rod)
25	UP04225	1	Kickback-Decal
26	UP04054	1	Oil Filter

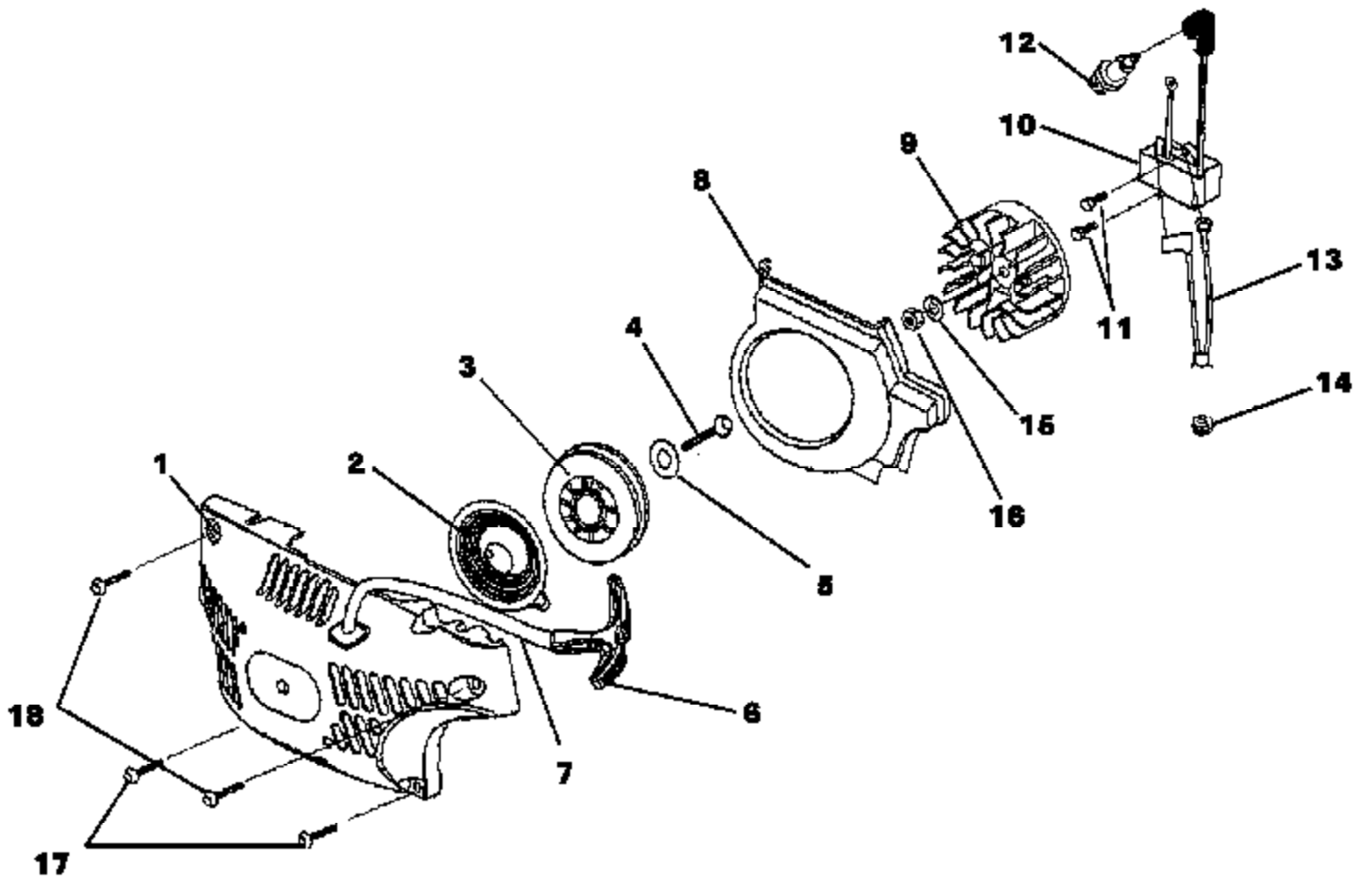




Ref #	Part Number	Qty	Description
1	UP06602	1	Oil Pump Kit
2	UP04185	1	Grommet, Oil Outlet
3	UP04188	1	Left Hand Worm
4	UP04048	1	Oil Intake Tube w/Filter
6	UP03119	1	Short Block, Complete (33cc)
	UP04161	1	Short Block, Complete (38cc)
7	A08666	1	Cylinder Kit (33cc)
	A08667	1	Cylinder Kit (38cc)
	UP04183	1	Gasket, Muffler (Not Shown)
	UP04184	1	Gasket, Heat Dam (Not Shown)
	UP04094	1	Gasket, Carburetor (Not Shown)
8	UP06971	1	Piston & Pin (33cc)
9	UP04177	1	Piston Ring
10	UP04051	2	Ring, Retaining
8	UP06972	1	Piston & Pin (38cc)
9	UP04190	1	Piston Ring
10	UP04051	2	Ring, Retaining
11	UP04083	4	Screw, Cap-Socket Hd. (10-24 x 2") Torque Spec 65 - 75 in/lbs (73 - 85 Nm); Required Loctite 262 Red
12	UP03898	2	Screw, Pan Hd., Plastite (8-16 x 5/8") Torque Spec 15 - 20 in/lbs (17 - 23 Nm)
13	UP03118	1	Crankshaft & Rod Assembly
14	UP04174	1	Bearing, Needle
15	UP04047	2	Shaft Seal
16	UP04176	2	Bearing & Rubber Case
17	UP04046	1	Rubber Case
18	UP04093	1	Spark Plug Torque Spec 120 - 180 in/lbs (136 - 203 Nm)
19	UP04087	4	Washer
20	UP04172	1	Lower Crankcase



Ref #	Part Number	Qty	Description
1	UP04230	1	Throttle Wire
2	UP04229	1	Trigger, Throttle
3	UP04196	1	Throttle Lock Out
4	UP06736	1	Handle Cover Kit
5	UP04243	1	Throttle Lock Pin
6	UP04226	1	Spring, Compression
7	UP04050	1	Ring, Retainer
8	UP03900	3	Screw, Thread Form., Plastite (10-14 x 3/4") Torque Spec 30 - 40 in/lbs (3.4 - 4.5 Nm)
9	UP06974	1	Front Handle Kit
10	UP03895	4	Screw, Plastite (10-14 x 5/8") Torque Spec 30 - 40 in/lbs (3.4 - 4.5 Nm)



Ref #	Part Number	Qty	Description
1	UP06749	1	Starter Kit
2	UP04092	1	Spring & Container
3	UP05460	1	Pulley, Starter
4	UP04237	1	Screw, Thread Form, Plastite (10-14 x 5/8") Torque Spec 30 - 40 in/lbs (34 - 45 Nm)
5	UP04089	1	Washer, Retaining
6	UP04216	1	Grip, Starter
7	UP03911	1	Rope, Starter 46"
8	UP04192	1	Baffle, Fan Housing
9	UP05850	1	Rotor & Starter Pawl
10	A08676A	1	Ignition Kit (33cc models)
	UP05851	1	Ignition Kit
11	UP04086	2	Screw, Thread Form (8-32 x 5/8") Torque Spec 30 - 40 in/lbs (34 - 45 Nm); Required Loctite 242 Blue
12	UP05875	1	Spark Plug Torque Spec 120 - 180 in/lbs (136 - 203 Nm)
13	UP04222	1	Ignition Switch Harness
14	UP04215	1	Grommet, Wire Harness (Split)
15	UP04241	1	Washer, Flat
16	UP04081	1	Nut, Jam Torque Spec 100 - 150 in/lbs (113 - 169 Nm)
17	UP04236	2	Screw, Truss Hd., Plastite (10-14 x 7/8") Torque Spec 30 - 40 in/lbs (34 - 45 Nm)
18	UP04237	2	Screw, Truss Hd., Plastite (10-14 x 5/8") Torque Spec 30 - 40 in/lbs (34 - 45 Nm)