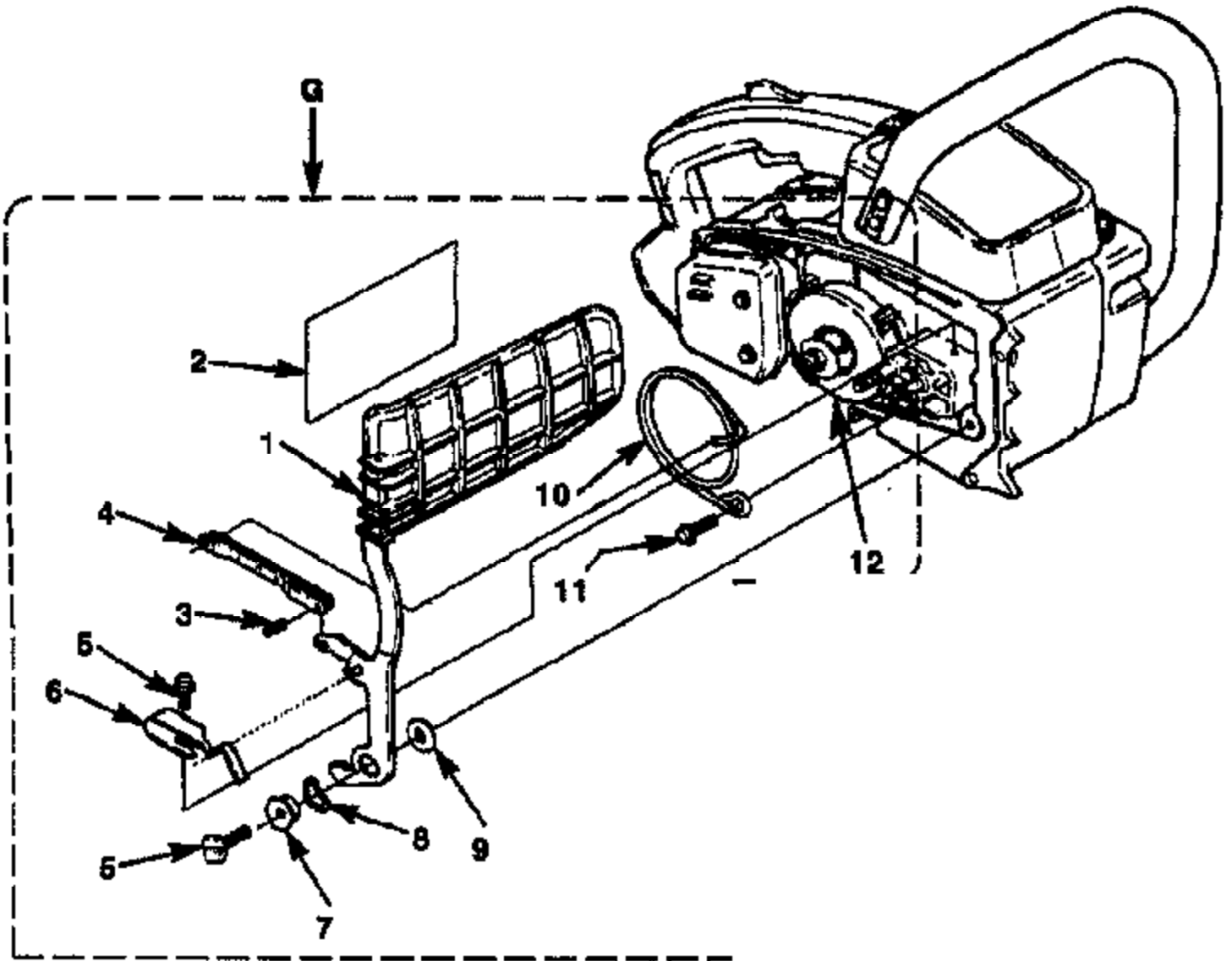
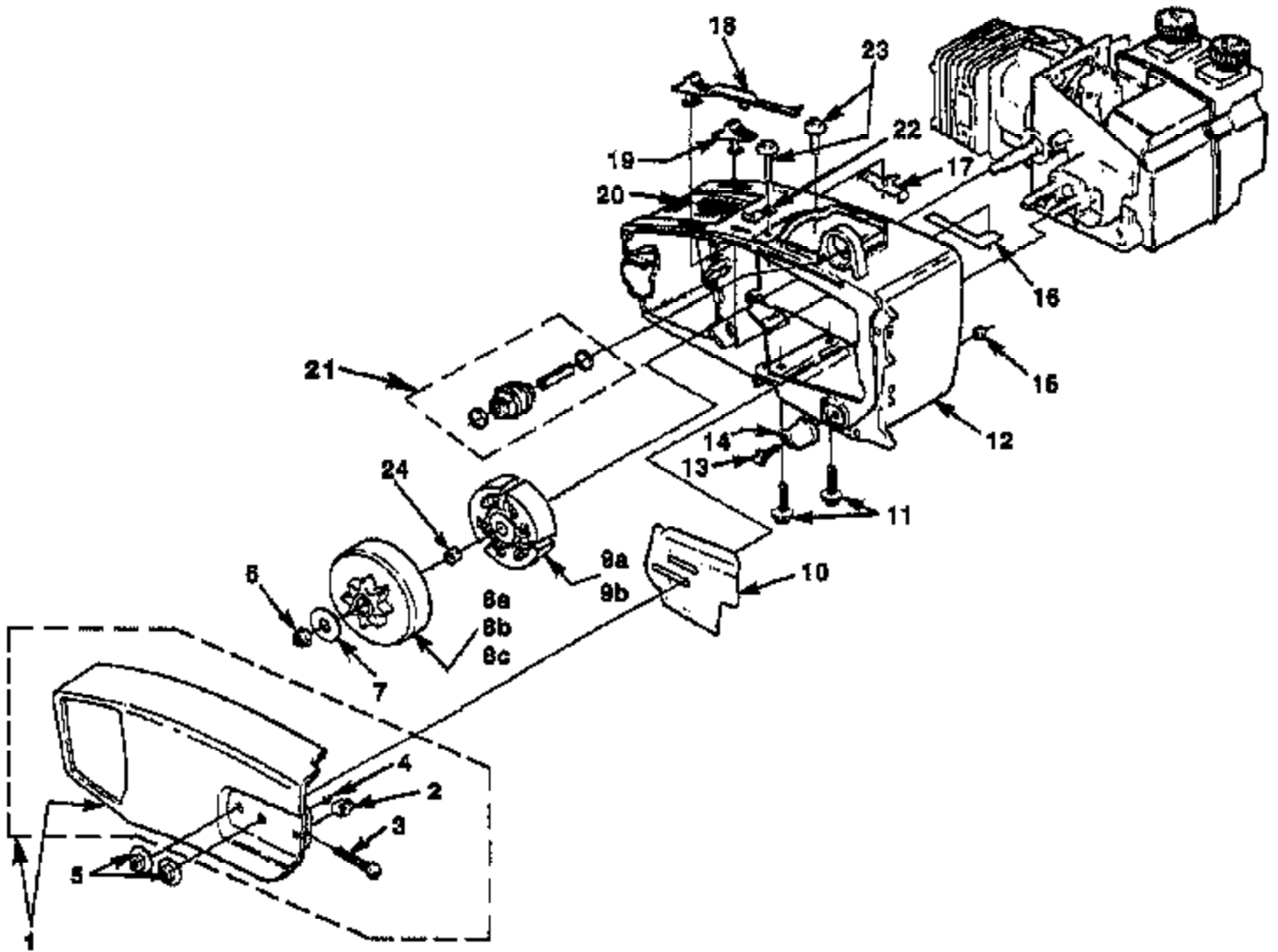


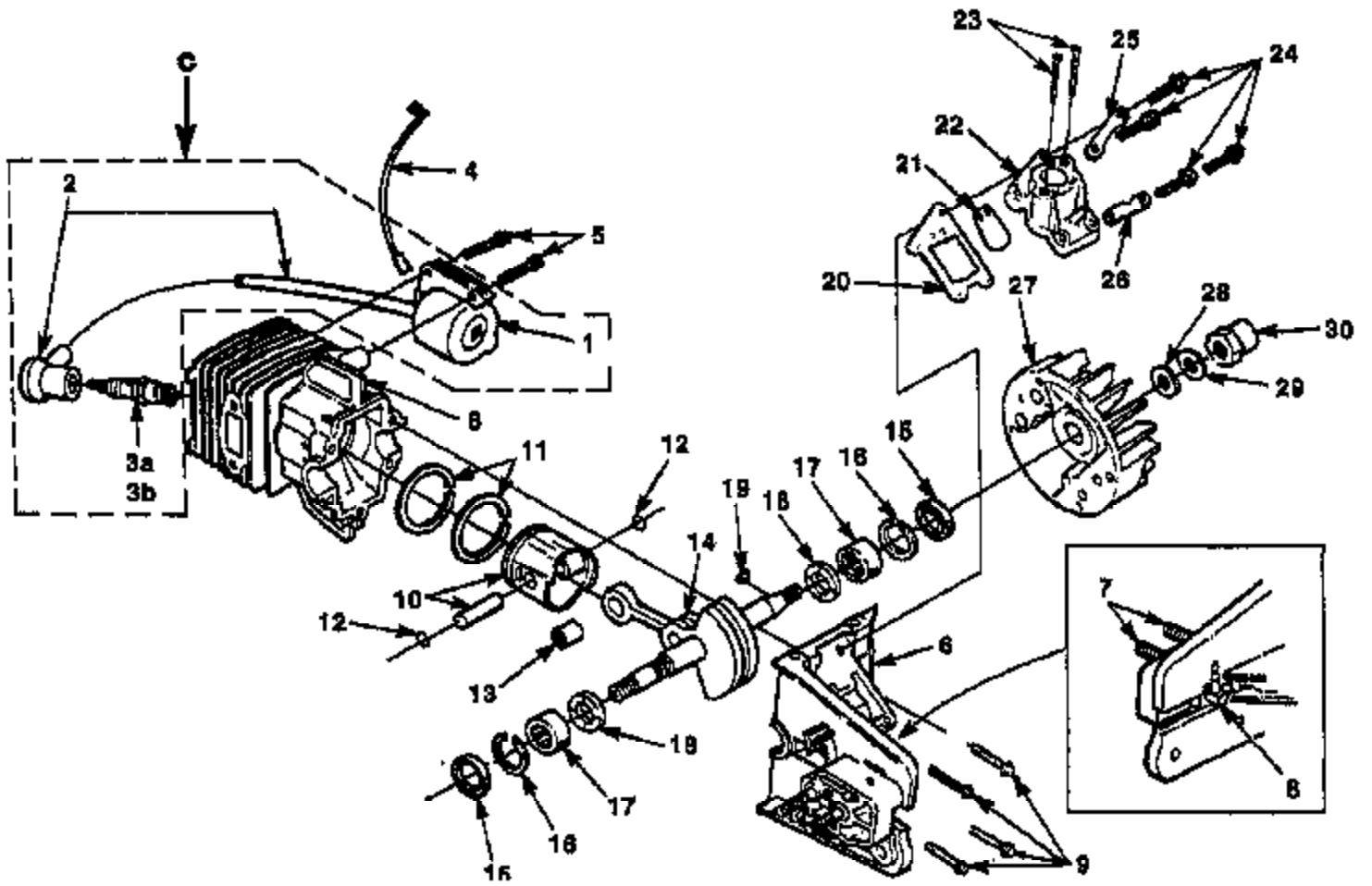
Ref #	Part Number	Qty	Description
1	A03151	1	HANDGUARD w/Cover
2	95217	1	SCREW-Retaining
3	02661	1	DECAL-Warning
4	03128	1	DECAL-Warning
5	95089	1	AIR FILTER COVER (UT10713, A; UT10715-A, B, C; UT10635-D)
6	95211	1	COVER-Handle
7	82563	1	SCREW-Thread Form. (10-24 X 3/4")
8	95038	1	INTERLOCK-Trigger
9	95222	1	SPRING-Torsion
10	95032	1	TRIGGER-Throttle
11	95036	1	ROD-Throttle
12	A96538A	1	OIL PUMP-Complete
13	82312	1	SCREW-Plastite (10 X 5/8")
14	93426	1	CLAMP (Oil Outlet Line)
15	0745418	1	TUBING-Rubber (4 1/2")
16	0745425	1	TUBING-Rubber (6 1/4")
17	A954851	1	CARBURETOR CHAMBER
18	70810	4	NUT-Square
19	95337	2	RETAINER NOT
20	95375	2	RETAINER NUT
21	96818	1	SCREW-Socket Hd. (10-24 X 1 5/8")
22	A06391	1	VIBRATION ISOLATOR KIT (See "Engine Housing - Clutch" illustration and parts list.)
23	96210	1	GROMMET



Ref #	Part Number	Qty	Description
G	A97800A	1	CHAIN BRAKE KIT
1	A97179	1	HAND GUARD
2	95395A	1	PIN-Roll
3	02261	1	DECAL-Warning
4	A70767	1	LINK-Pivot
5	80049	2	SCREW-Hex Cap (1/4-20 X 5/8")
6	95406	1	CLIP-Retaining
7	96170	1	CAP-Brake Lever
8	95486	1	WASHER-Curved
9	95397	1	WASHER-Thrust
10	95482	1	BAND-Brake
11	88063	1	SCREW- Hex (10-24 X 5/8")
12	A97056	1	SPROCKET & DRUM

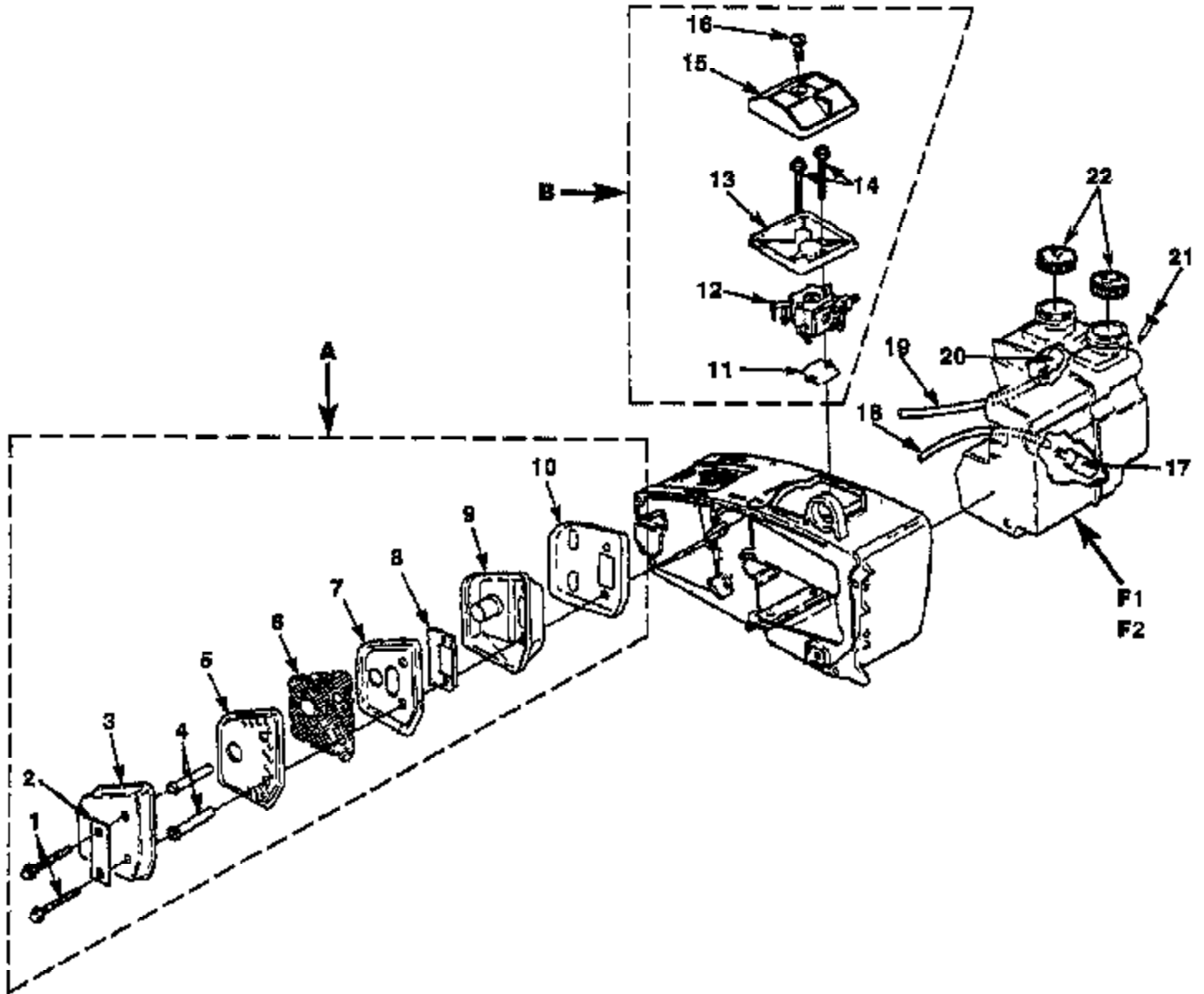


Ref #	Part Number	Qty	Description
1	A01058B	1	COVER-Drive Case
2	692542		PIN-Guide Bar Adjusting
3	A00440		SCREW & E-RING KIT
4	93574	1	E-RING
5	81258	2	NUT-Flange (1/4-20)
6	81229A	1	NUT-Locking (5/16-24)
7	95299	1	WASHER-Thrust
8A	A97172B	1	SPROCKET, DRUM & BEARING (.375-6T) (2 11/16" I.D.)
8B	A97056	1	SPROCKET, DRUM & BEARING (.325-8T) (2 11/16" I.D.)
8C	A95650B	1	SPROCKET, DRUM & BEARING (.375-6T) (2 7/16" I.D.)
9A	A98129	1	CLUTCH (2 11/16" O.D.)
9B	A979561A	1	CLUTCH (2 7/16" O.D.)
10	95390	1	PLATE-Guide Bar
11	88051	1	SCREW-Hex Sems (10-24 X 3/4")
12	A96754B	1	HOUSING-Engine
13	82593	1	SCREW-Mach. Hex Hd. (10-24 X 5/8")
14	95212	1	STOP-Chain
15	81256	2	NUT-Lock (10-24)
16	95091	1	CONTACT-Stop Switch
17	95087	1	SPRING-Stop Switch
18	95050	1	BUTTON-Choke
19	95086A	1	BUTTON-Stop Switch
20	03154B	1	DECAL-Warning
21	A06391	1	VIBRATION ISOLATOR KIT
22	97993	1	BRACE-Clutch
23	88063	4	SCREW-Hex Sems (10-24 X 5/8")
24	70277	1	BEARING-Clutch & Drum

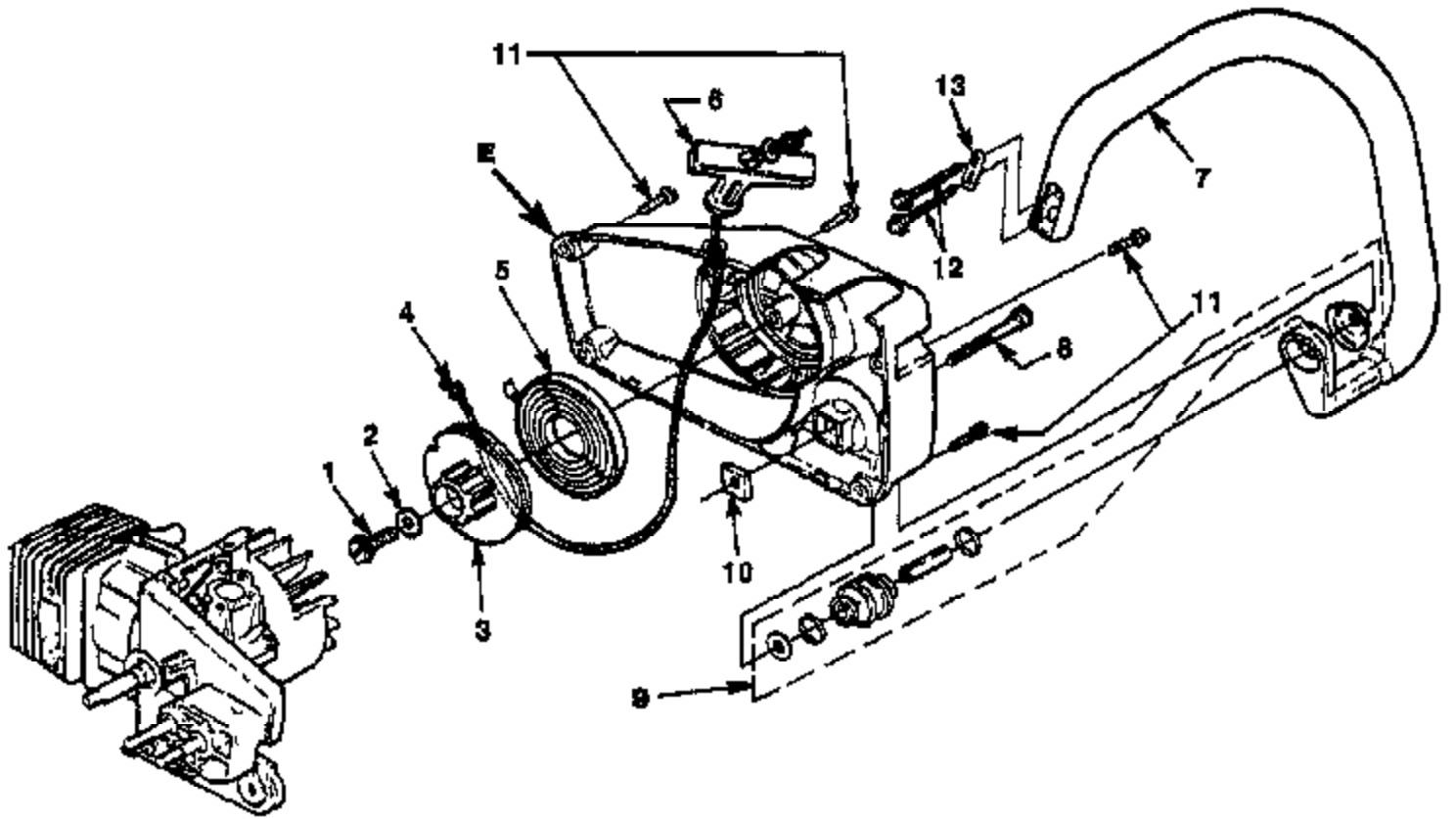


Ref #	Part Number	Qty	Description
C	A04446	1	IGNITION KIT
1	94711CS	1	MODULE-Ignition
2	A94754	1	TERMINAL-High Tension Lead
3A	96169S	1	SPARK PLUG (DJ-7Y)
3B	79252	1	SPARK PLUG (RDJ-7Y) (UT10713, 10715-A)
4	A96378	1	LEAD-Ground
5	82430	2	SCREW-Machine Hex Hd. (8-32 X 7/8")
6	A96753A	1	CRANKCASE & CYLINDER
7	96083	2	BOLT-Guide Bar
8	50558	1	FITTING-Tube
9	96624	4	SCREW-Sems Hex Hd. (10-24 X 1 1/8")
10	A96751A	1	PISTON & PIN
11	94916	2	PISTON RING
12	65261	2	RING-Retaining
13	97125	1	BEARING-Needle (After Lot #E229)
14	A96752A	1	CRANKSHAFT
13	95439	1	BEARING-Needle (Prior to Lot #E229)
15	07025	2	SEAL-Shaft
16	68514	2	RING-Retaining
17	12530	2	BEARING-Needle
18	95492	2	BEARING-Thrust
19	69250	1	KEY-Woodruff
20	94873	1	GASKET-Manifold
21	95983	1	REED
22	A06326A	1	MANIFOLD-Intake
23	82545	2	SCREW-Plastite (#8-16 X 1 3/4")
24	82291	4	SCREW-Hex Washer (8-32 X 5/8")
25	96539	1	WASHER-Intake Manifold
26	96540	1	WASHER-Intake Manifold
27	A04158	1	ROTOR & STARTER PAWLS
28	84065	1	WASHER-Flat
29	83002	1	WASHER- Lock
30	96255	1	NUT-Guide





Ref #	Part Number	Qty	Description
A	A96931	1	MUFFLER-Complete
1	95005	2	SCREW-Mach. Sems Hex (10-24 x 2 1/16")
2	97751	1	BRACKET-Muffler
3	948871	1	CAP-Muffler
4	9398308	2	SPACER-Muffler
5	948811	1	BAFFLE-Muffler
6	956371	1	SCREEN-Spark Arrester
7	96928	1	BAFFLE-Muffler
8	94889	1	PLATE-Muffler
9	A96930	1	BODY-Muffler
10	96925	1	DEFLECTOR-Exhaust
B	A06438	1	CARBURETOR KIT
11	95022A	1	GASKET-Carburetor
12		1	UNKNOWN
12A	07240	1	CARBURETOR-Walbro
13	95083	1	CUP-Filter
14	96176	2	SCREW-Mach. Hex (10-24 X 1 5/8")
15	A96349	1	FILTER ELEMENT (Top)
16	95217	1	SCREW-Retaining
12B	A96352B	1	CARBURETOR-Zama
F1	A02970A	1	TANK-Fuel & Oil (UT10625-B,C,D; UT10630-A,B,C; UT10633-A,B; UT10635-D; UT10715,C,D; UT10717-A,B,C; UT10718-A,B,C)
F2	A01162A	1	TANK-Fuel & Oil (UT10635-C, UT10713, A; UT10715-A,B)
17	49422	1	FILTER-Fuel
18	0745426	1	TUBING-Rubber (6 1/2")
19	0745428	11	TUBING-Rubber (7")
20	A68593	1	FILTER-Oil
21	98819	2	VALVE-Duck Bill
22	A97359A	2	CAP-Fuel & Oil



Ref #	Part Number	Qty	Description
E	A98005B	1	STARTER, Complete
1	82563	1	SCREW- Thread Forming (#10 X 3/4")
2	94062	1	WASHER-Retainer
3	97768B	1	PULLEY-Starter
4	9789901	1	ROPE-Starter
5	A97908	1	SPRING & CONTAINER
6	02264	1	GRIP-Starter
7	A06436	1	HANDLE BAR KIT
8	96818	1	SCREW-Socket Hd. (10-24 X 5/8")
9	A06391	1	VIBRATION ISOLATOR KIT (See "Engine Housing Clutch Illustration and part list.)
10	95213	1	NUT-Square (10-24)
11	82563	4	SCREW-Thread Form (10-24 X 3/4")
12	82218	2	SCREW-Hex Washer (10-24 X 1 1/8")
13	96901	1	PLATE-Handle Bar

No  
Diagram  
Available

Parts List  
Only

Ref #	Part Number	Qty	Description
24823	24823		SILASTIC (Crankcase Sealing)
23488C	23488C		LOCTITE
A24747A	A24747A		PULLER-Magneto Rotor
46130	46130		SCREW-Mach. Hex (5/16-18 2")
81196	81196	2	NUT-Hex (5/16-18)
A93791	A93791		WRENCH-Spanner (Clutch)
23717A	23717A		PIN-Clutch Spanner
A17705	A17705		WRENCH-Combination
18453	18453		GREASE-Multi-Use
0745499	0745499		TUBING-Rubber (10ft.)
A06439	A06439		FASTENER KIT
DA70776C	DA70776C		SAFE*T*TIP (Standard on units)
93695	93695		SCREW (Special)
9520199	9520199		TUBING-Rubber (10ft)
68848	68848		ROPE-Starter (250 ft. #4) (Prior to Lot #G080)
98052A	98052A		ROPE-Starter (250 ft. #3 1/2") (After Lot #G080)
A97046	A97046		BUMPER-Spiked
82415	82415	1	SCREW-Mach. Flat (10-24 X 1/2")
80672	80672	1	SCREW-Mach. Pan (10-24 X 1/2")
81256	81256	2	NUT-Locking Hex
GP203225	GP203225		IGNITION TEST KIT
17789	17789		CARBURETOR TOOL