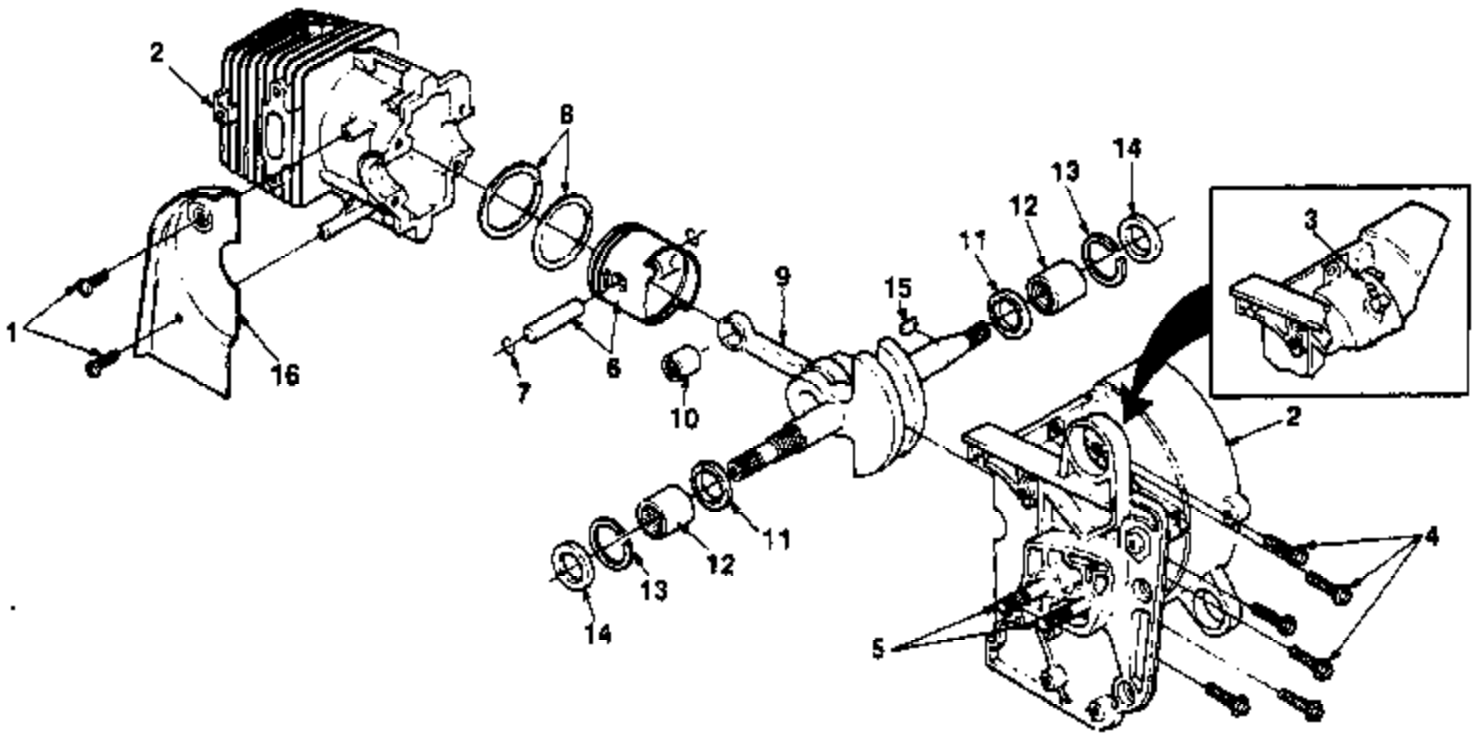
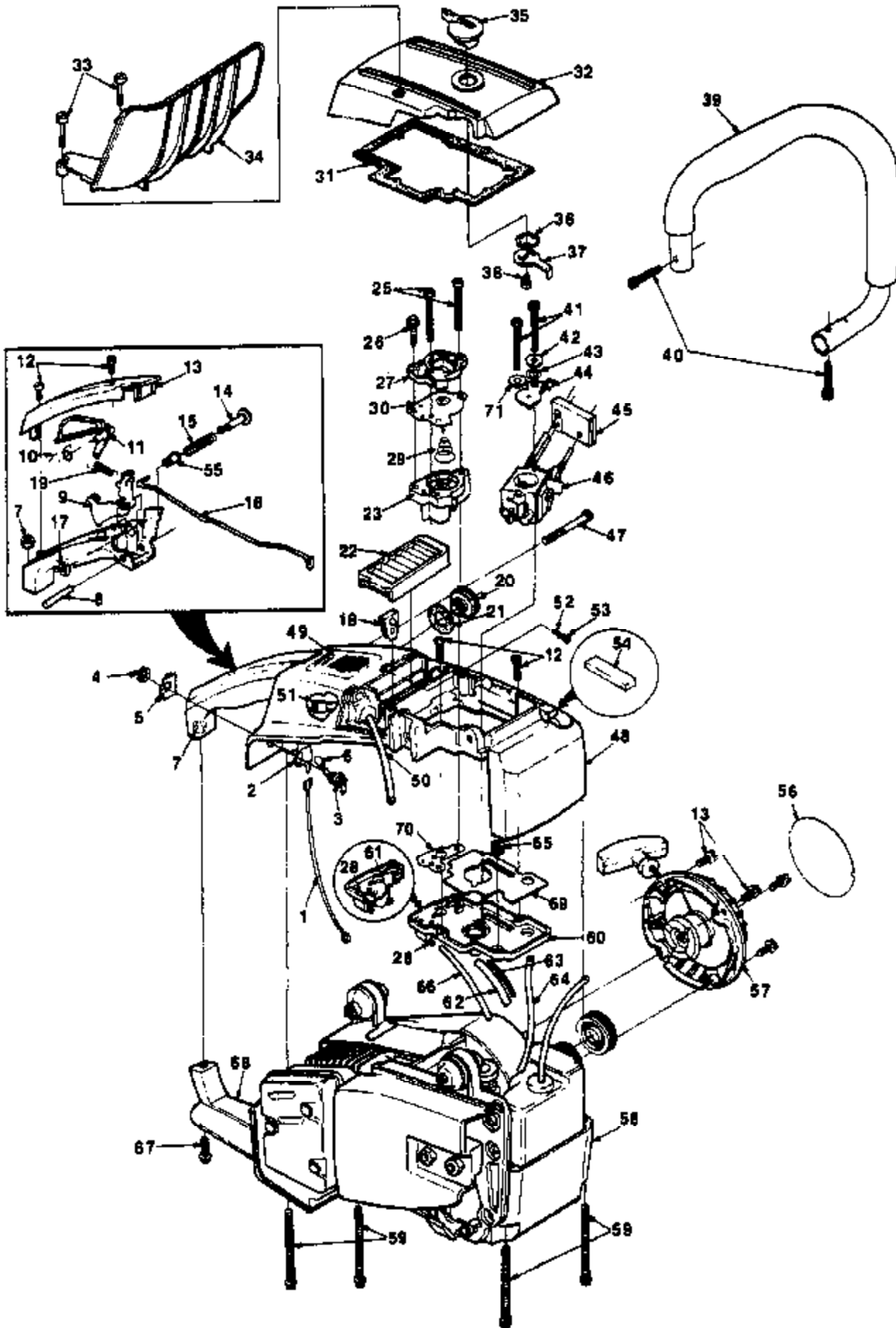


Ref #	Part Number	Qty	Description
1	80983	3	SCREW- (8-32 x 1/2)
2	70705	1	STOP- Chain
3	88048	1	SCREW- (10-24 x 3/8)
4	70632	1	WASHER- Flat
5	A95409A	1	GUARD- hand
6	80672	1	SCREW- Pan hd
7	95411	1	BRACKET
8	80821	1	SCREW (12 24 x 1/2)
9	95283	1	BAND- Brake
10	81192	1	NUT- Hex (3/8-24)
11	95376	1	INSERT- Chain brake
12	95410	1	WASHER- Spring
13	95284A	1	SPRING- Torsion
14	95287	1	DETENT- Brake lever
15	95295	1	SPACER- Flanged
16	82254	2	SCREW- Mach pan hd. (8-32 x 1/2)
17	95286	1	LINK- Chain brake
18	95494	1	BUSHING
19	953941	1	SHIELD- Chain brake
	95838	1	BUMPER- Spike (not shown)
	960621	1	CARBURETOR SHIELD (not shown)

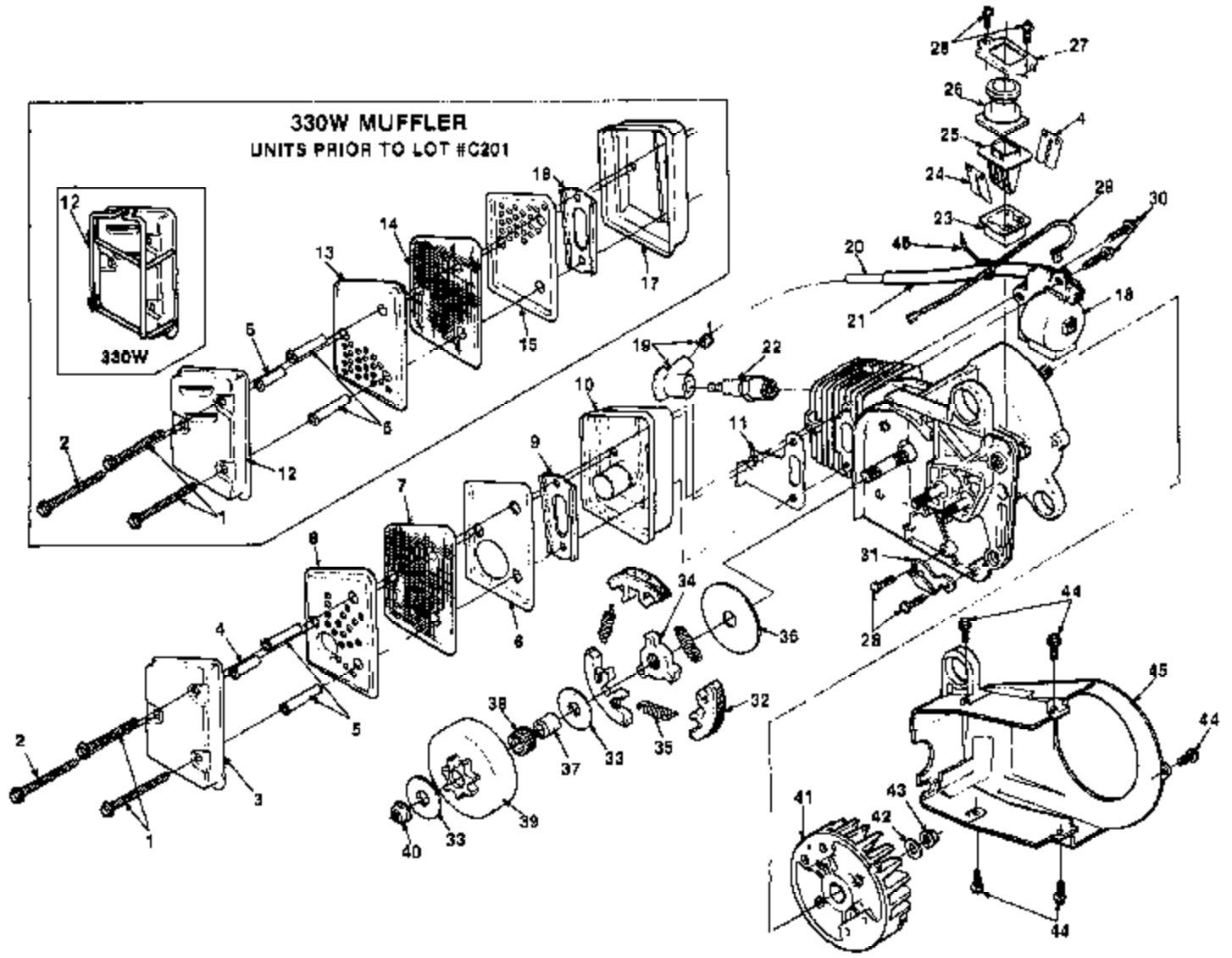


Ref #	Part Number	Qty	Description
1	88049	2	SCREW- Sems hex (10-24 x 1/2)
2	A95884A	1	CRANKCASE & CYLINDER
3	70204	1	FITTING- Tube
4	88053	6	SCREW- (10-24 x 1)
5	93859	2	BOLT- Guide bar
	94392	1	FITTING- Tube (L) not shown
	94619	1	FITTING- Tube (Not shown)
6	A95882A	1	PISTON
7	64813	2	RING- Retaining
8	96510	2	PISTON RING
9	A96418B	1	CRANKSHAFT
10	93369	1	BEARING- Rod
11	94860	2	WASHER- Thrust
12	93846	2	BEARING- Needle
13	93819	2	RING- Retaining
14	93858	2	SEAL- Crankshaft
15	75078	1	KEY- Woodruff
16	93832	1	SHIELD- Sawdust



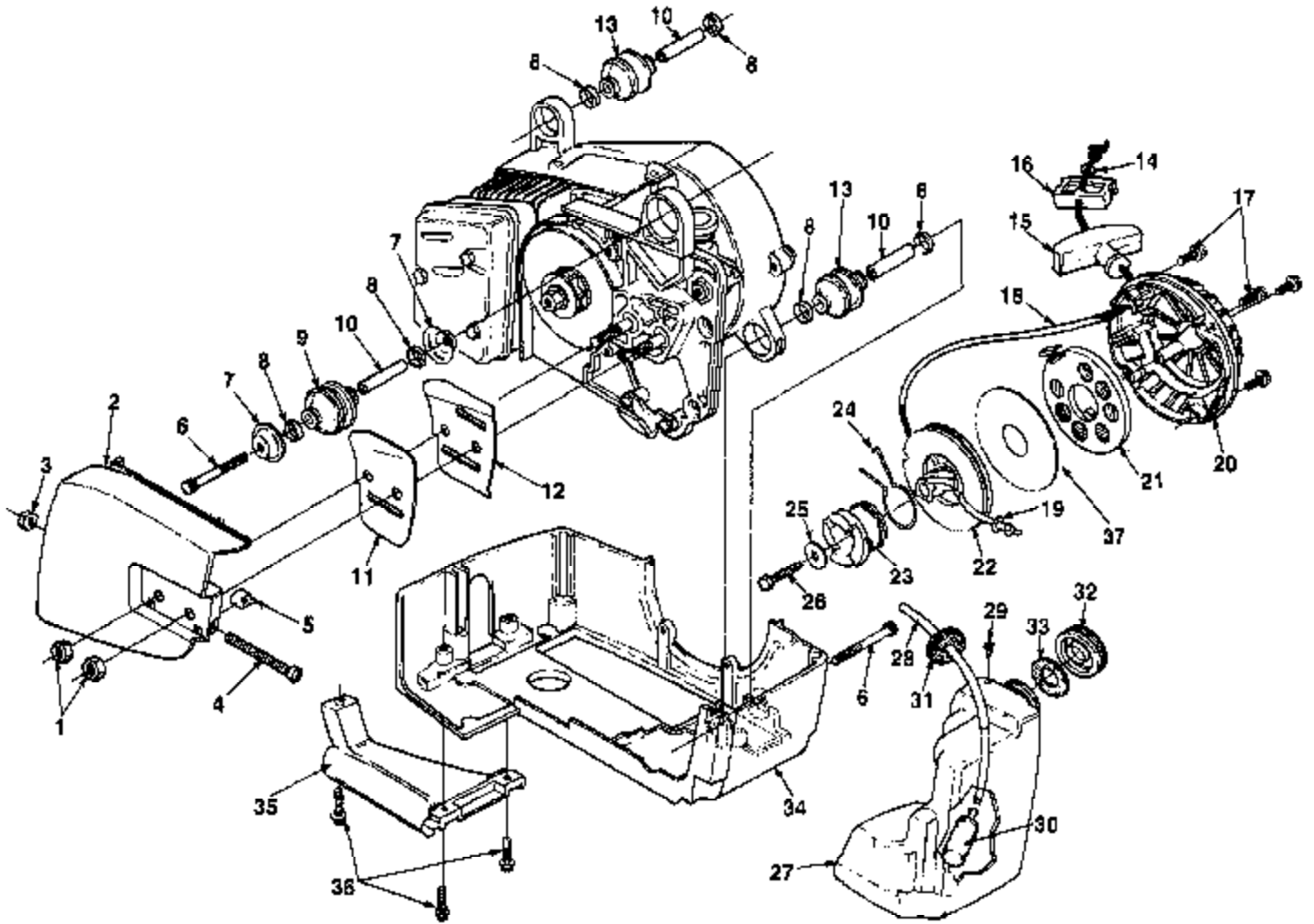
Ref #	Part Number	Qty	Description
1	A95933A	1	LEAD- Electrical
2	95874	1	CONTACT- Ground
3	A576503A	1	SWITCH- Grounding
4	72084A1	1	NUT- Switch
5	12793A	1	PLATE- Ignition (Run-Stop)
6	69092	1	SLEEVE- Grounding switch
7	81208	1	NUT- Locking hex (10-24)
8	93517	1	PIN- Groove
9	93842	1	TRIGGER- Throttle
10	94379	1	SPRING- Torsional
11	93843	1	THROTTLE- Interlock
12	80983	8	SCREW- Hex hd. (8-32 x 1/2)
13	93822	1	HANDLE- Cover
14		1	PIN- Throttle lock
15	95020	1	SPRING- Compression
16	94377A	1	ROD- Throttle
17	58409	1	RING- Retaining
18	94376	1	GROMMET
19	95976A	1	SPRING- Extension
20	A95207	1	CAP- Oil
21	94390	1	GASKET
22	94387B	1	FILTER ELEMENT- Air
23	A95049	1	PUMP Oil
25	82224	2	SCREW- Hex hd. (8-32 x 2)
26	82380	1	SCREW- Thd. forming (8-16 x 5/8)
27	94395	1	COVER- Oil pump
28	94619	1	FITTING- Tube
29	94634	1	SPRING- Helicoil
30	A94675	1	DIAPHRAGM & PLUNGER
31	95921	1	GASKET- Air filter cover
32	93828	1	COVER- Air filter
33	93578	2	SCREW- Self retaining (330 only)
	95792	2	SCREW- Rd. hd. (10-24) (330SL only)
34	95027	1	GUARD- Hand (330 only)
35	94389	1	BUTTON- Choke
36	94388	1	WASHER- Wave
37	94502	1	LEVER- Choke
38	95922	1	SCREW- Pan taptite (8-32 x 5/16)
39	A93853	1	HANDLE BAR- Flush cut (prior to Lot #C309)
	A938531	1	HANDLE BAR- Flush cut (After Lot #C309)
40	82246	2	SCREW Cap socket hd. (10-24 x 1)
41	82179	2	SCREW- Mach. hex. hd. (10-32 x 1 7/8)
42	94504	1	SPACER- Choke
43	94382	1	WASHER- Wave
44	94503A	1	PLATE- Choke
45	94381	1	GROMMET
46	A94380A	1	CARBURETOR (Walbro WT-4) (Alternate source)
	A96421	1	CARBURETOR (Zama C-1S-H3) (Primary source)
47	82377	1	SCREW- Cap socket hd. (10-24 x 1 3/4)
48	A96419A	1	HOUSING- Engine
49	95633	1	DECAL
50	98688	1	TUBING (after Lot #C309)
51	A68593	1	FINDER- Oil
52	96841	1	VALVE- Duck bill
53	69454	1	FILTER
54	69443	1	FILTER- Fuel tank valve
	95671	1	PIN- Throttle lock (after Lot #C309)
	95020	1	SPRING- Compression

Ref #	Part Number	Qty	Description
55	95989	1	BUSHING- Flanged
	58409	1	RING- Retaining
56	94386	1	DECAL- Starter housing
57	A94736	1	HOUSING- Starter
58	938302	1	HOUSING- Engine (bottom)
59	88060	4	SCREW- Hex hd. (10-24 x 2.5000)
60	A94673	1	PLATE- Carburetor chamber
61	94392	1	FITTING- Tube (L)
62	9520108	1	TUBING- 2" (pulse line)
63	95216	1	SPRING- Pulse line (inside)
64	9315721	1	TUBING- 5 1/4" (pulse line)
65	64862	1	GROMMET
66	9311212	1	TUBING-3" (Oil Deliver)
	94619	1	FITTING- Tube (see index #28)
67	88051	1	SCREW- Sems hex hd. (10-24 x 3/4)
68	94763	1	BRACE- handle
69	95342	1	GASKET Carburetor
70	94391	1	GASKET- Oil pump
	9311226	1	TUBING- 6 1/2" (Oil) (prior to Lot #C309)
71	96894	1	SPACER- Flanged





Ref #	Part Number	Qty	Description
	A96456	1	MUFFLER
1	88058	2	SCREW- Hex hd. (10-24 x 2 1/4)
2	88057	1	SCREW- Hex sems (10-24 x 2)
3	960901	1	CAP- Muffler
4	9398302	1	SPACER- Muffler
5	9398304	1	SPACER- Muffler
6	96091	1	BAFFLE- Muffler
7	96094	1	SCREEN- Spark arrestor
8	96092	1	BAFFLE- Muffler
9	94501	1	PLATE- Reinforcing
10	A968151	1	BODY- Muffler
11	96093A	1	DEFLECTOR- Exhaust
12	938561A	1	CAP- Muffler (units prior to Lot #C201)
	A960691	1	CAP- Muffler (units prior to Lot #C201) (330W)
13	93855	1	BAFFLE- Muffler (outer) (prior to Lot #C201) (330W)
14	93504	1	SCREEN- Spark arrestor (330W) (prior to Lot #C201)
15	93515	1	BAFFLE- Muffler (330W) (prior to Lot #C201)
16	94501	1	PLATE- Reinforcing (prior to Lot #C201)
17	938571	1	BODY- Muffler (330W) (prior to Lot #C201)
18	A94361	1	MODULE- Ignition
19	A94754	1	TERMINAL- High tension
20	94362	1	LEAD- High tension
21	95098	1	SLEEVE- Insulation
22	96169S	1	SPARK PLUG
23	93836B	1	RETAINER- Reed valve
24	938341	2	VALVE- Reed
25	93835A	1	SEAT- Reed stop
26	93838B	1	BOOT- Connector
27	93847	1	RETAINER- Boot
28	80983	4	SCREW- (8-32 x 1/2)
29	A94668A	1	LEAD- Electrical
30	88052	2	SCREW- (10-24 x 875)
31	70705	1	STOP- Chain
32	A93632A	3	SHOE- Clutch
33	65064	2	WASHER- Thrust
34	94374	1	SPIDER- Clutch
35	93814A	3	SPRING- Clutch
36	93643	1	WASHER- Thrust
37	65746B	1	RACE- Inner
38	64124	1	BEARING- Roller
39	A95621	1	SPROCKET & DRUM- 3/8" pitch 7T
40	81236	1	NUT- Hex (3/8-24)
41	93844A	1	ROTOR
42	95479A	1	WASHER- Flat
43	81255	1	NUT- Lock (rotor nut)
44	88050	5	SCREW- Hex sems (10-24 x .625)
45	943412	1	SHROUD- Air
46	46840	1	CABLE TIE

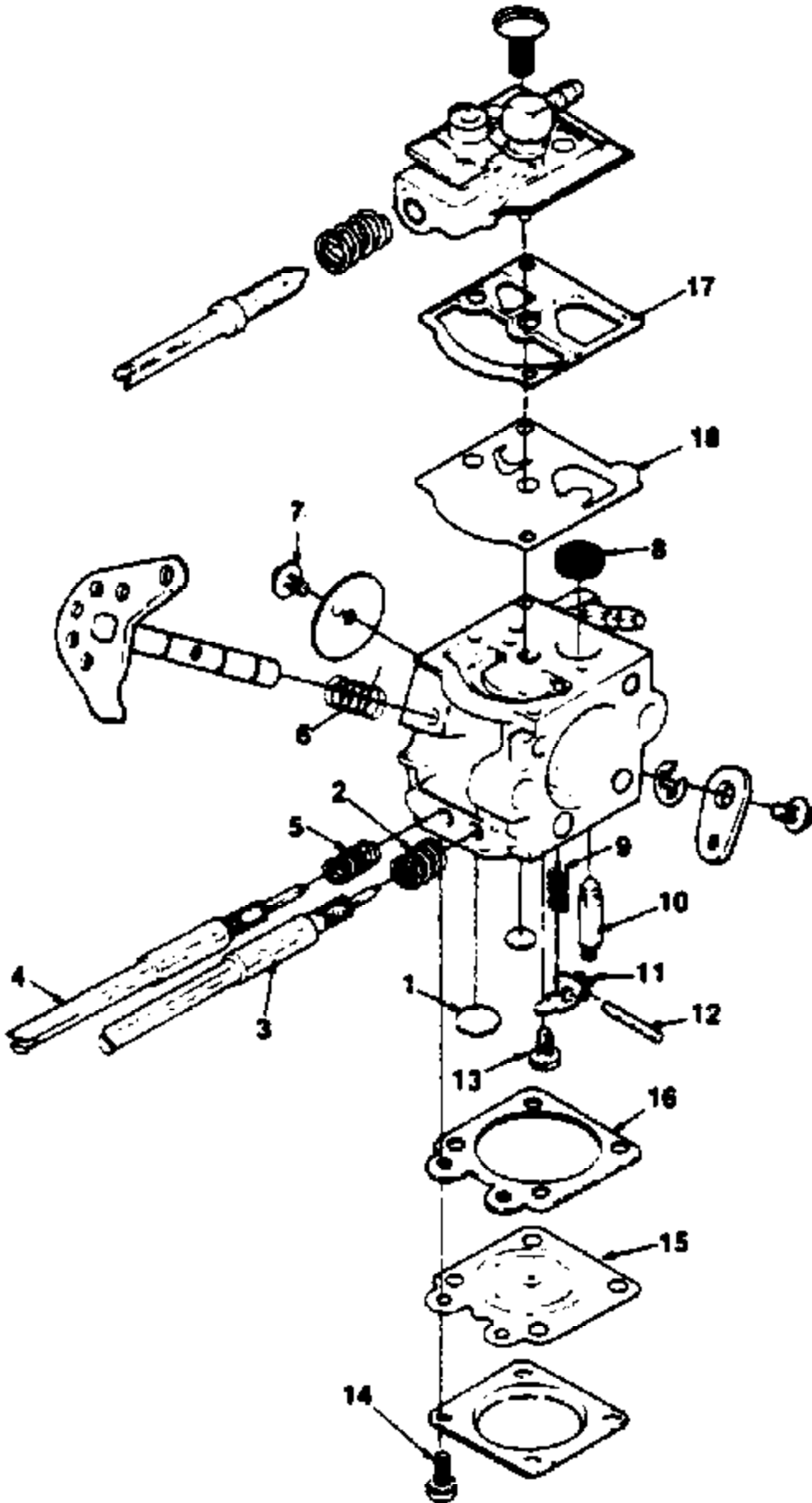


Ref #	Part Number	Qty	Description
1	81196	2	NUT- Hex (5/16-18)
2	A946851	1	COVER- Drivecase
3	81206	1	NUT- Hex (10-32)
4	65175A	1	SCREW- Guide bar adjusting
5	651121	1	PIN- Guide bar adjusting
6	82377	2	SCREW- Cap socket hd. (10-24 x 1 3/4)
7	70440A	2	WASHER- Vibration isolator
8	70432A	6	RING- Vibration isolator
9	95868	1	ISOLATOR- Vibration
10	70433	3	SPACER
11	95453	1	PLATE- Guide bar (outer)
12	95452	1	PLATE- Guide bar (inner)
13	95915	2	ISOLATOR- Vibration
14	84025	1	WASHER- Flat (#8)
15	A69962B	1	GRIP- Starter
16	70018A	1	INSERT- Rope
17	80983	4	SCREW- (8-32 x 1/2)
18	A93876	1	ROPE- Starter
19	93862	1	WASHER- Nylon
20	A94736	1	HOUSING- Starter
21	A94918A	1	SPRING- Rewind w/retainer
22	94383A	1	PULLEY- Starter
23	94384	1	RATCHET- Starter
24	94505A	1	LEVER- Ratchet
25	95208	1	WASHER
26	82392	1	SCREW- Thd. forming (#10 x 1 1/4)
27	A94678A	1	TANK- Fuel
28	9311230	1	TUBING- 7 1/2 (fuel)
29	96841	1	VALVE- Check
30	96639	1	FILTER- Fuel
31	95206	1	SEAL- Foam
32	A94671	1	CAP- Fuel
33	94390	1	GASKET- Filler cap
34	938302	1	HOUSING- Engine (bottom)
35	94763	1	BRACE- Handle
36	88051	3	SCREW- Sems hex hd. (10-24 x 3/4)
37	12320A	1	SHIELD
	A04291		ASSEMBKY- Complete Starter

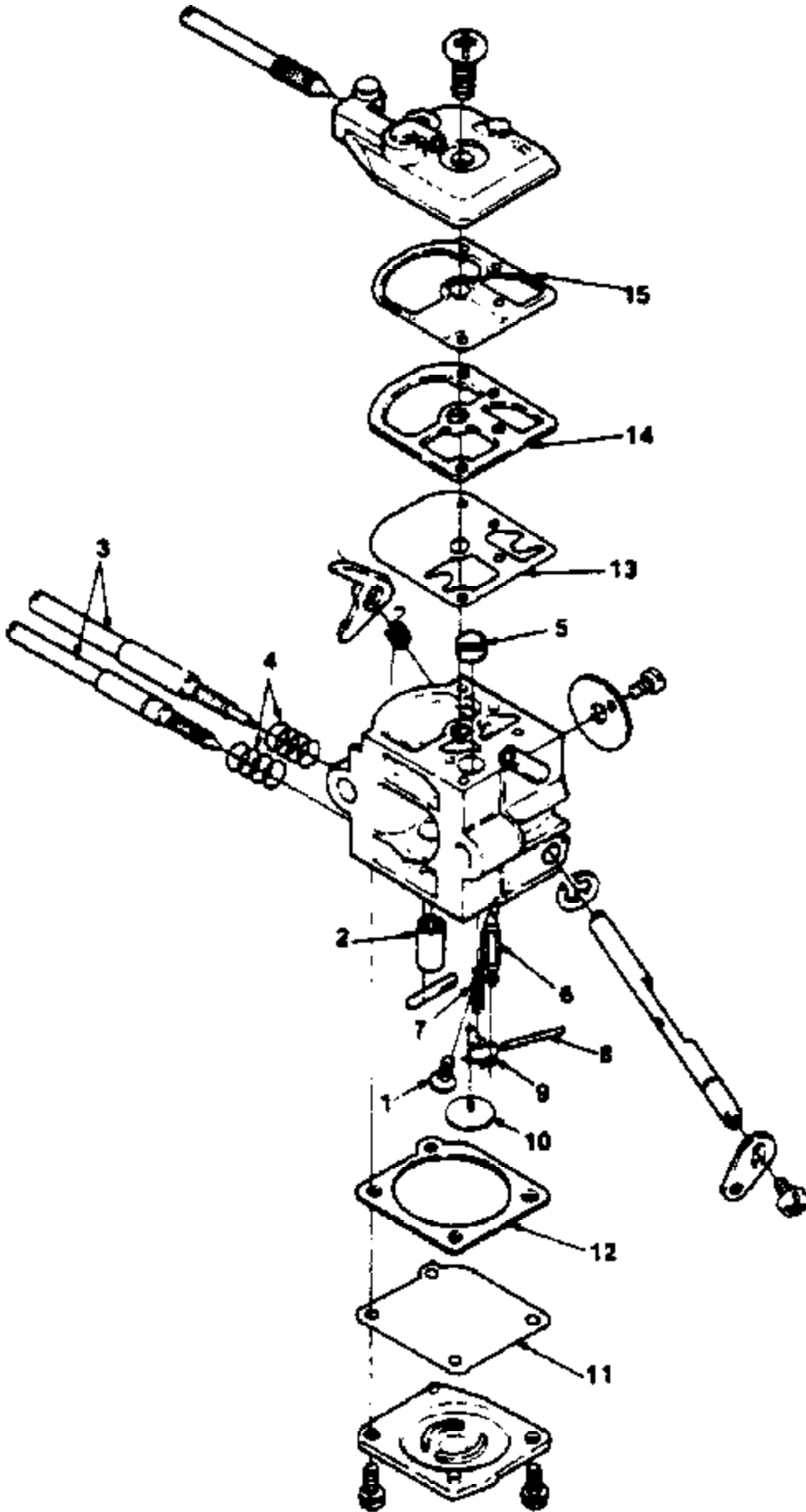
## ACCESSORIES & TOOLS

GREASE- Multi use	17193	SPANNER WRENCH- Clutch removal	A-24060
KIT- Bumper plate (330 & 330W)	A-12272-D	WRENCH- Combination	A-24284
Includes:		SHIM- Black plastic (.012") rotor air gap	24308
SCREW- (10-24 x 3/8)	88048	PULLER- Rotor removal	A-24544
SCREW	88051	SEALANT	24823
LACQUER- Touch up (red)	23475	CORD- Starter (250 ft. reel)	68848
LOCTITE	23488-B	SAFE•T•TIP (standard with unit)	A-70790-A
PLUG- Bearing installation	23756	Includes:	
PLUG- Piston pin removal	A-23949	SCREW	82335
Includes:		TUBING- Rubber (10 ft.)	93112-99
"O" RING (1)	67900	TUBING- Rubber (10 ft.)	93157-99
KIT- Sprocket nose repair	A-94851		
Includes:			
BEARING- Guide bar	94852		

Ref #	Part Number	Qty	Description
17193	17193	1	GREASE- Multi use
A-12272-D	A12272D	1	KIT- Bumper plate (330 & 330W)
88048	88048	1	SCREW- (10-24 x 3/8)
88051	88051	1	SCREW
23475	23475	1	LACQUER- Touch up (red)
23488-B	23488B	1	LOCTITE
23756	23756	1	PLUG- Bearing installation
A-23949	A23949	1	PLUG- Piston pin removal
67900	67900	1	"O" RING (1)
A-94851	A94851	1	KIT- Sprocket nose repair
94852	94852	1	BEARING- Guide bar
A-24060	A24060	1	SPANNER WRENCH- Clutch removal
A-24284	A24284	1	WRENCH- Combination
24306	24306	1	SHIM- Black plastic (.012") rotor air gap
A-24544	A24544	1	PULLER- Rotor removal
24823	24823	1	SEALANT
68848	68848	1	CORD- Starter (250 ft. reel)
A70790A	A70790A	1	SAFE-T-TIP (standard with unit)
82335	82335	1	SCREW
9311299	9311299	1	TUBING- Rubber (10 ft.)
9315799	9315799	1	TUBING- Rubber (10 ft.)



Ref #	Part Number	Qty	Description
1	96943	1	Repair Kit
2	96943	1	Repair Kit
3	96943	1	Repair Kit
4	96943	1	Repair Kit
5	96943	1	Repair Kit
6	96943	1	Repair Kit
7	96943	1	Repair Kit
8	96943	1	Repair Kit
9	96943	1	Repair Kit
10	96943	1	Repair Kit
	64229	1	Needle
11	96943	1	Repair Kit
12	96943	1	Repair Kit
13	96943	1	Repair Kit
14	96943	1	Repair Kit
15	96943	1	Repair Kit
	96944	1	Gasket/Diaphragm Kit
16	96943	1	Repair Kit
	96944	1	Gasket/Diaphragm Kit
17	96943	1	Repair Kit
	96944	1	Gasket/Diaphragm Kit
18	96943	1	Repair Kit
	96944	1	Gasket/Diaphragm Kit





Ref #	Part Number	Qty	Description
1	96482	1	Repair Kit
2	96482	1	Repair Kit
3	96482	1	Repair Kit
4	96482	1	Repair Kit
5	96482	1	Repair Kit
6	96482	1	Repair Kit
7	96482	1	Repair Kit
8	96482	1	Repair Kit
9	96482	1	Repair Kit
10	96482	1	Repair Kit
11	96482	1	Repair Kit
	96483	1	Diaphragm Repair Kit
12	96482	1	Repair Kit
	96483	1	Diaphragm Repair Kit
13	96482	1	Repair Kit
	96483	1	Diaphragm Repair Kit
14	96482	1	Repair Kit
	96483	1	Diaphragm Repair Kit
15	96482	1	Repair Kit
	96483	1	Diaphragm Repair Kit