

HOMELITE®

PARTS LIST

(NOTE: THIS PARTS LIST COVERS ONLY UT NUMBERS SHOWN.)

SX-135

(UT20601-A, UT20602-A)

ST-155

(UT20539-E, UT20544-E)

ST-175G

(UT20560-C, UT20604-A)

ST-185BC

(UT15039-E, UT15102)

ST-275

(UT20594-1)

ST-285BC

(UT20581-E, UT20615)

ST-385BC

(UT15040-H)

HLT-15

(UT20602-A, UT20605-A)

HLT-16

(UT20585-C, UT20606-A)

HLT-18

(UT20584-B, UT20607-A)

HLT-28

(UT20595-C, UT20608-A)

HBC-18

(UT15075-C)

HBC-28

(UT15096, UT15097)

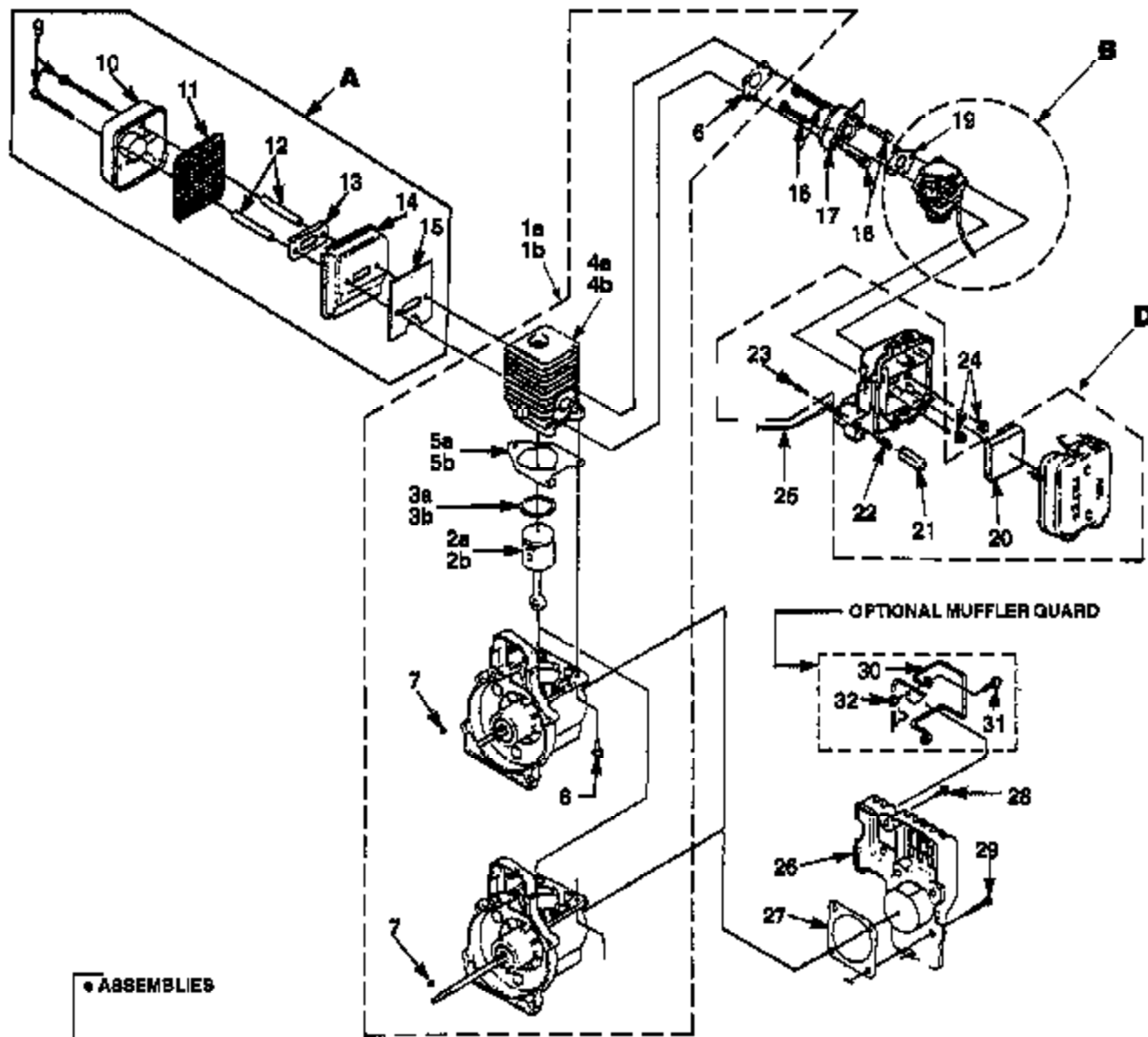
GST-18

(UT20593-C)

GST-BC

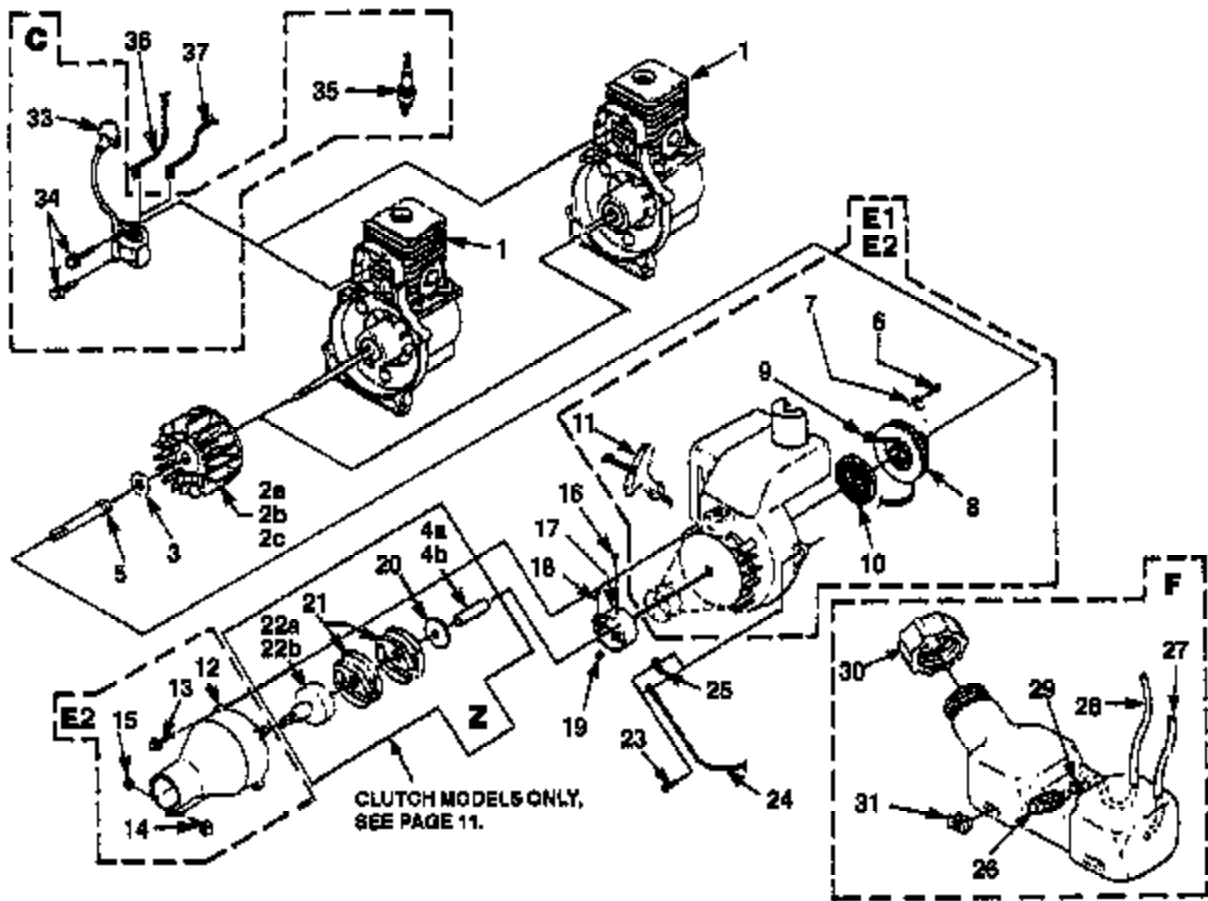
(UT15084-C)

PART NO. 19219
Printed in U.S.A.



● ASSEMBLIES

No.	Part No.	Description	Qty	No.	Part No.	Description	Qty
1a	● A-04742	REPOWER SHORT BLOCK (30CC Non Clutch Models)	1	13	98783	PLATE-Reinforcing	1
1b	● A-04743	REPOWER SHORT BLOCK (30CC Clutch Models)	1	14	04710	BODY-Muffler (Also included with #4)	1
		NOTE: Both Short Blocks Include The Following:		15	98788-D	GASKET-Muffler (Also included with #4)	1
2a	● A-03699	30CC PISTON & ROD	1	16	04474	SCREW-Machine (10-24 X 2 1/4")	2
3a	03179	RING-Piston	2	17	98766	HEAT DAM	1
4a	● A-04740	30CC CYLINDER KIT	1	18	82549-1	SCREW-Tap/ite (10-24 X 1")	2
5a	04388	GASKET-Cylinder	1	19	● A-04445	CARBURETOR KIT	1
6	00775-A	GASKET-Heat Dam	1		98769-A	GASKET-Carburetor	1
7	89250	KEY-Woodruff	1	D	● A-04449	AIR FILTER KIT	1
8	82589-1	SCREW-Thread Forming (10-24 X 3/4")	3		D-98760-A	FILTER-AIR	1
4b	● A-04723	25CC CYLINDER KIT	1	20	98789	BUTTON-Switch	1
5b	04388	GASKET-Cylinder	1	21	95020	SPRING-Compression	1
6	00775-A	GASKET-Heat Dam	1	22	82513	SCREW-Plastite (#8)	1
2b	● A-04268	25CC PISTON & ROD	1	24	81208	NUT-Hex (10-24)	2
3b	96935	RING-Piston	1	25	A-98809	LEAD-Electrical	1
A	● A-04837	MUFFLER KIT	1	26	● A-00659	CRANKCASE COVER	1
B	88080	SCREW-Sems Hex (10-24 X 2 1/2")	2	27	98767-A	GASKET-Crankcase Cover	1
10	A-04756	COVER-Muffler	1	28	82541	SCREW-Plastite (#10 X 1/2")	2
11	04790	SCREEN-Spark (Also Included with #4)	1	29	82538	SCREW-Tap/ite (10-24 X 1/2")	4
12	04785	SPACER-Muffler (Also Included with #4)	2	30	● A-00254	WIRE GUARD KIT	1
				31	88049	SCREW-Hex Sems (10-24 X 1/2")	2
				32	81208	NUT (10-24)	2

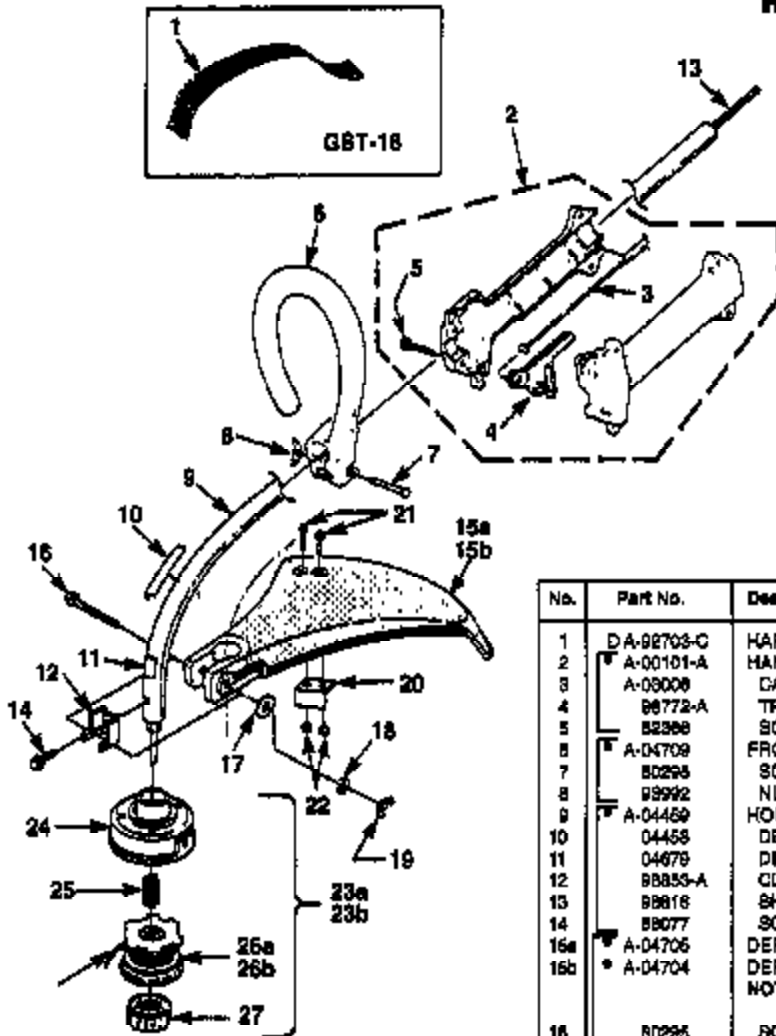


ASSEMBLIES

No.	Part No.	Description	Qty
1	*	SHORT BLOCK (Ref. Pg. 2, Item 1A, 1B)	1
2a	A-00856	ROTOR KIT (ST165-BC, GST-BC)	1
3	95479-A	WASHER-Flat	1
4a	03566-2	SPACER	1
2b	A-00857	ROTOR KIT (ST285-BC, ST385-BC, HBC-18, HBC-30)	1
3	95479-A	WASHER-Flat	1
4b	03566-1	SPACER	1
2c	A-04158	ROTOR w/ Starter Pawls (Non Clutch)	1
5	98795-A	CONNECTOR-Drive	1
E1	A-02576-D	COMPLETE STARTER ASSEMBLY (Non Clutch Models)	1
E2	A-04638-B	COMPLETE STARTER ASSEMBLY (Clutch Models)	1
NOTE: Both Assemblies include the Following:			
6	82541	SCREW-Plastic (#10-1/2")	2
7	98791	BRACKET-Retaining	2
8	98770-A	PULLEY-Starter	1
9	97896-02	ROPE-Starter (42')	1
10	A-98773-A	SPRING & CONTAINER	1
11	02254	GRIP-Starter	1
NOTE: Clutch Models Only include the Following:			
12	A-02396-A	TUBE ADAPTER	1
13	88052	SCREW-Hex Hd. (10-24 X 7/8")	4
14	88054	SCREW-Bars Hex Hd. (10-24 X 1/4")	1
15	81208	NUT (10-24)	1
18	82522	SCREW-Pan Hd. (#10 X 3/8")	1
17	98802-A	CLAMP	1

No.	Part No.	Description	Qty
18	82268	SCREW-Hex Bars (10-24 X 3/8")	1
19	97574	NUT-Square	1
Z	A-04655	CLUTCH AND DRUM KIT (ST285-BC, ST385-BC, HBC-18, HBC-30) (Also Includes #4b)	1
20	98828-A	WASHER-Flat	1
21	00242	CLUTCH (ST165-BC, GST-BC)	2
		CLUTCH (ST285-BC, ST385-BC, HBC-18, HBC-30)	3
22b	A-03485-A	CONNECTOR & DRUM (ST285-BC, ST385-BC, HBC-18, HBC-30)	1
22a	A-02727	CONNECTOR & DRUM (ST165-BC, GST-BC)	1
23	82538	SCREW-Tap (10-24 X 3/4")	4
24	A-98919-A	LEAD-Ground	1
25	02881	TERMINAL-Male	1
F	A-04447	FUEL TANK	1
28	49442	FILTER-Fuel	1
27	01439-82	TUBING-Rubber (8')	1
28	94772-82	TUBING-Rubber (8')	1
29	98268	CLAMP-Wire	1
30	A-00882-A	FUEL CAP	1
31	98782	BUMPER-Rubber	3
G	A-04448	IGNITION KIT	1
32	94711-C6	MODULE-Ignition	1
33	A-89055	TERMINAL & COVER	1
34	82540	SCREW-Tap (8-32 X 1")	2
35	98169-S	SPARK PLUG	1
36	A-00681	LEAD-Electrical (Clutch Models)	1
37	A-98808	LEAD-Electrical (Non Clutch Models)	1

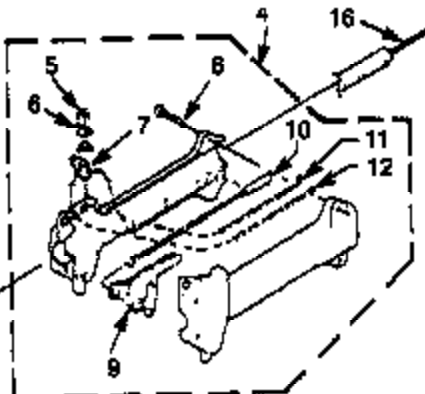
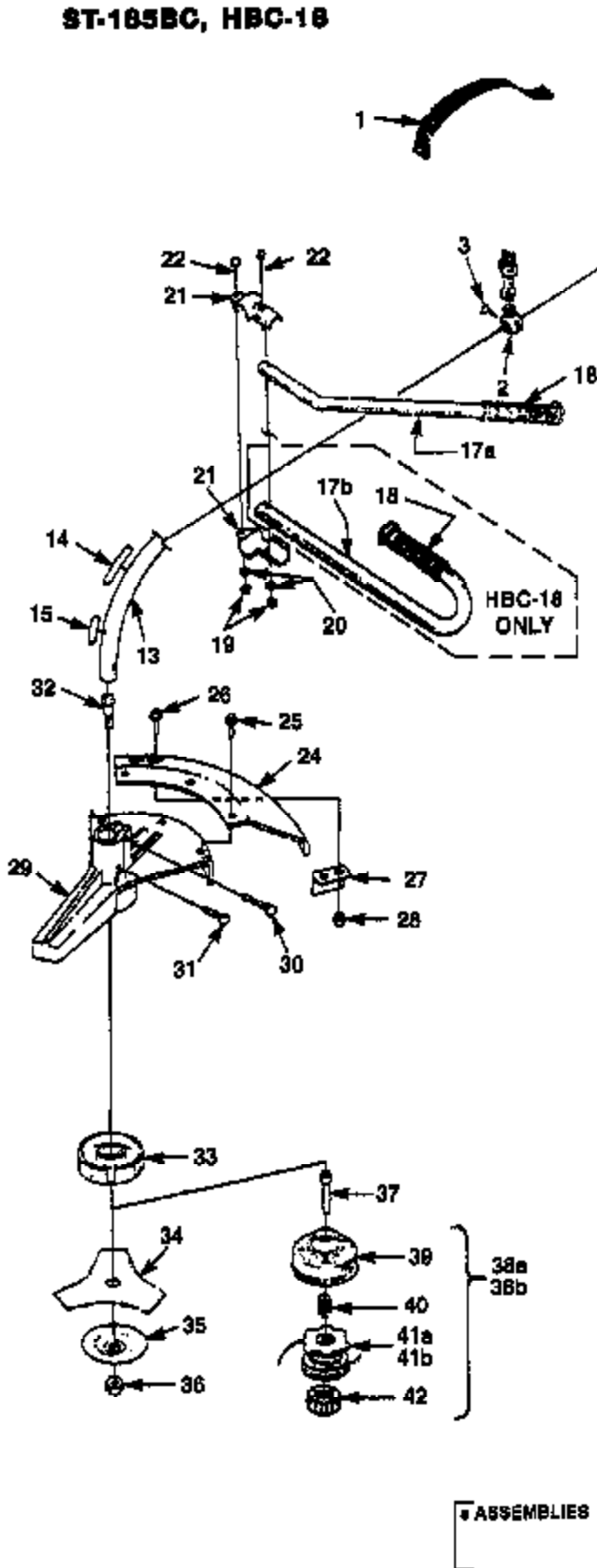
**ST-165, SX-135, ST-175G, GST-18,
HLT-18, HLT-18, HLT-18**



No.	Part No.	Description	Qty
1	DA-92703-C	HARNESSE w/Connector (GST-18)	1
2	A-00101-A	HANDLE GRIP ASSEMBLY	1
3	A-09008	CABLE-Throttle	1
4	99772-A	TRIGGER	1
5	82298	SCREW-Thread Forming (#8 X 3/4")	6
6	A-04709	FRONT HANDLE KIT	1
7	80295	SCREW-Cap Hex Hd. (10-24 X 2")	1
8	99992	NUT-Wing (10-24)	1
9	A-04459	HOUSING-Drive Shaft	1
10	04458	DECAL-Starting Instructions	1
11	04679	DECAL-Warning	1
12	98853-A	CLAMP	1
13	99816	SHAFT-Flexible	1
14	99077	SCREW-Semis Hex Hd. (#10 X 1/2")	1
15a	A-04705	DEFLECTOR & BLADE KIT (55 Deg.)	1
15b	A-04704	DEFLECTOR & BLADE KIT (100 Deg.)	1
NOTE: Both assemblies include the following:			
16	80295	SCREW-Cap Hex Hd. (10-24 X 2")	1
17	84006	WASHER-Flat (1/4")	1
18	83006	WASHER-Lock (1/4")	1
19	99992	NUT-Wing (10-24)	1
20	A-03632	BLADE-Cut-Off	1
21	82531	SCREW-Mech. Hex Hd (10-24 X 7/8")	2
22	81281	NUT-Hex (10-24)	2
23a	DA-03001	STRINGHEAD-Complete (.080" Line) (ST165, SX135, ST175-G, HLT18, GST-18)	1
23b	DA-04581	STRINGHEAD-Complete (.085" Line) (HLT-18, HLT-18)	1
24	A-98231-A	HOUSING & EYELET (Dual Line)	1
25	90848	SPRING-Compression	1
26a	DA-99912-D	SPOOL & STRING (.080" Line) (ST165, SX135, ST175-G, HLT18, GST-18)	1
26b	DA-02598-B	SPOOL & STRING (.085" Line) (HLT-18, HLT-18)	1
27	DA-98866-A	RETAINER-Spool (R H Thread, Black)	1

ASSEMBLIES

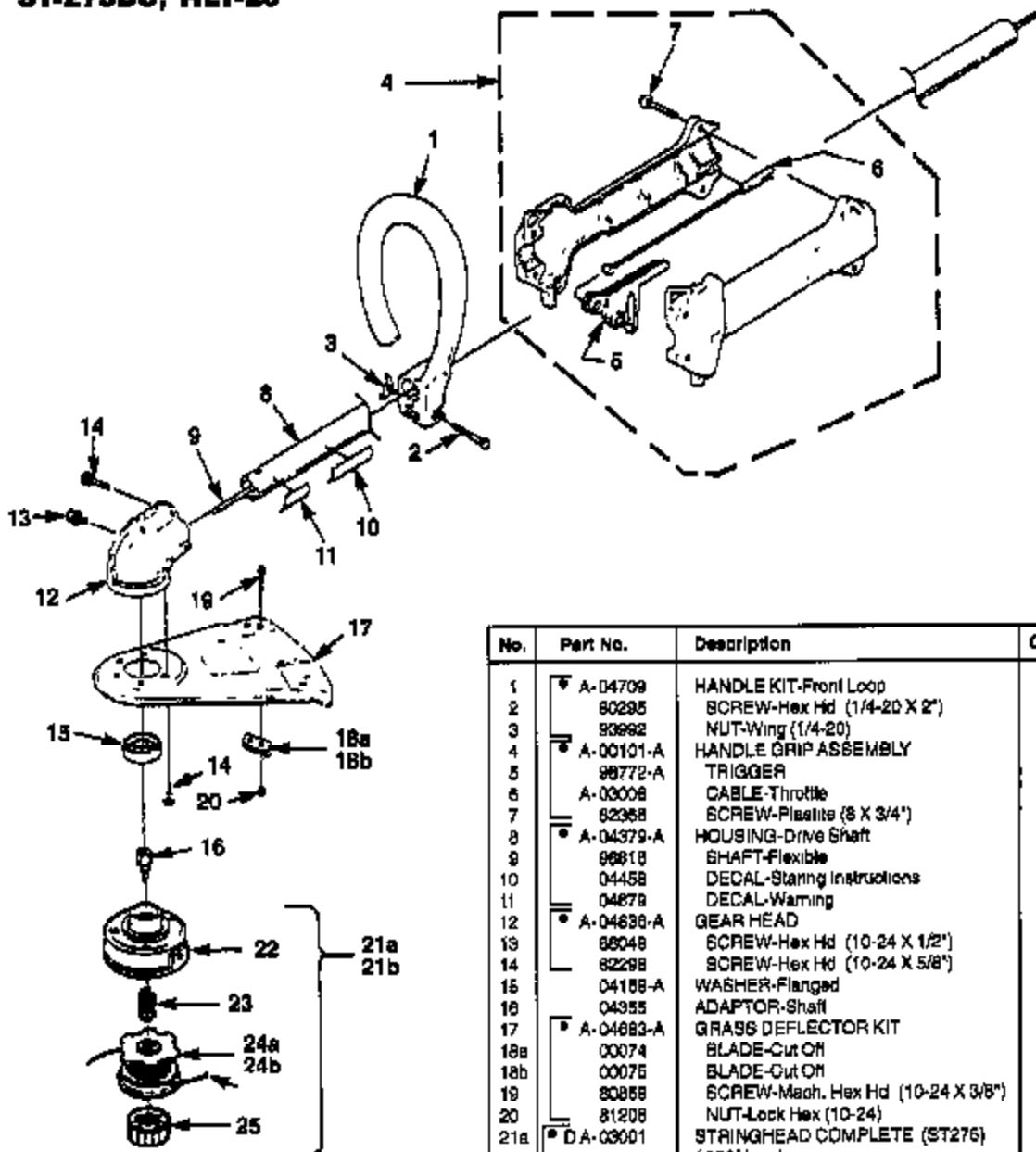
ST-185BC, HBC-18



No.	Part No.	Description	Qty
1	DA-88708-B	HARNESSE w/Connector	1
2	A-84442	BRACKET-Hanger	1
3	82260	SCREW-Thumb (10-24 X 1/2")	1
4	A-03911-1	HANDLE GRIP ASSEMBLY	1
5	72084-A1	NUT-Toggle Switch	1
6	95231	PLATE-Indicating	1
7	93653	SWITCH-Toggle	1
8	82398	SCREW-Plastita (#8 X 3/4")	4
9	98772-A	TRIGGER	1
10	A-03006	CABLE-Throttle	1
11	A-03812	LEAD-Electrical	1
12	A-98916-A	LEAD-Ground	1
13	A-03287-A	HOUSING-Drive Shaft (Black)	1
14	04488	DECAL-Starting (Instructions)	1
15	04488	DECAL-Warning	1
16	08818	SHAFT-Flex	1
17a	A-04529	HANDLE BAR (ST-185BC)	1
17b	A-03480-A	HANDLE BAR ("J") (HBC-18)	1
NOTE: Both assemblies contain the Following:			
18	84474-B	GRIP	1
18	81287	NUT (1/4-20)	2
20	83051	WASHER (1/4")	2
21	00422	CLAMP-Handle Bar	2
22	88076	SCREW-Sems Hex Hd. (1/4-20 X 1")	1
23	88071	SCREW-Sems Hex Hd. (1/4-20 X 1/2")	1
24	A-04708	DEFLECTOR-Grass	1
25	80881-3	SCREW-Mach Hex Hd. (1/4-20 X 1/2")	3
26	80869	SCREW-Mach Hex Hd. (10-24 X 3/8")	2
27	96858	BLADE-Cut-Off	1
28	81208	NUT (10-24)	2
29	A-04457	HOUSING-Lower Bearing	1
30	88078	SCREW-Sems Hex Hd. (1/4-20 X 1")	1
31	82450	SCREW-Mach Hex Hd. (10-24 X 3/8")	1
32	98834-A	SHAFT-Spindle	1
33	89836-1A	WASHER-Flanged	1
34	D-98717-A	BLADE-Tri-Arc (9")	1
35	98836	WASHER-Cupped	1
36	88837	NUT-Hex Locking (R.H.)	1
37	88849	CONNECTOR-Drive	1
38a	DA-03001	STRINGHEAD-Complete (ST-185BC)	1
38b	DA-04591	STRINGHEAD-Complete (HBC-18)	1
39	A-98231-A	HOUSING & EYELET (Dual Line)	1
40	96848	SPRING-Compression	1
41a	DA-98912-D	SPOOL & STRING (.080" Line) (ST-185BC)	1
41b	DA-02658-B	SPOOL & STRING (.085" Line) (HBC-18)	1
42	DA-98866-A	RETAINER-Spool (R.H. Thread)	1

ASSEMBLIES

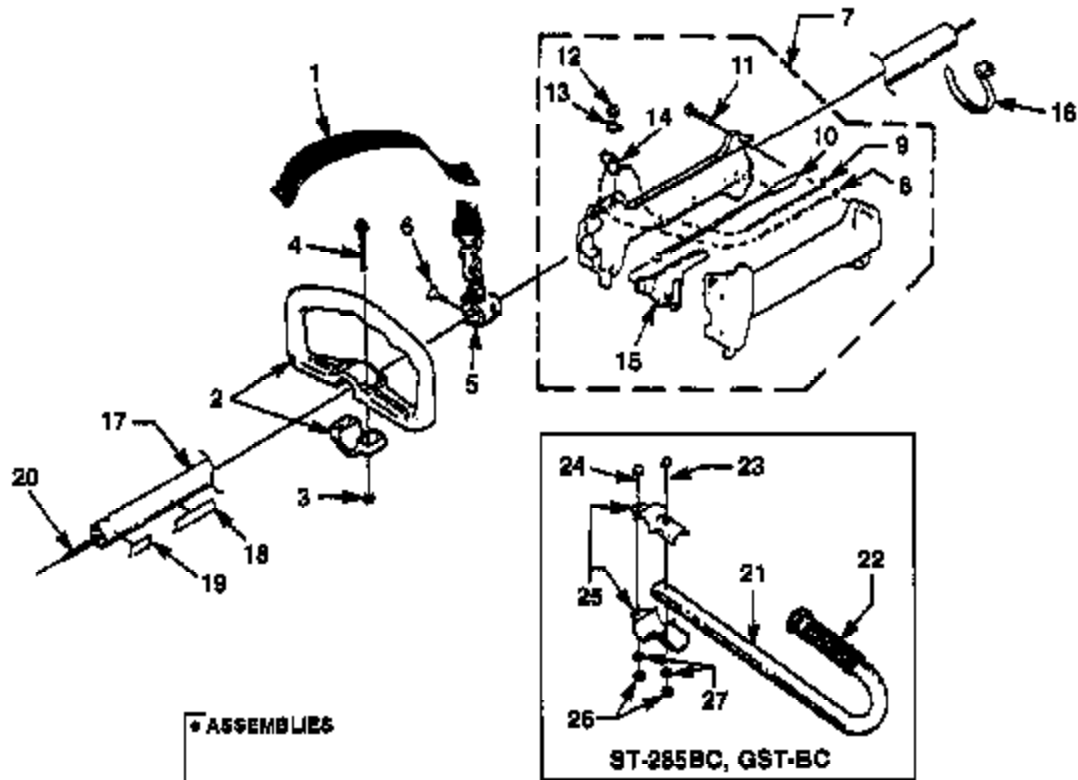
ST-275BC, HLT-28



No.	Part No.	Description	Qty
1	A-04709	HANDLE KIT-Front Loop	1
2	80295	SCREW-Hex Hd (1/4-20 X 2")	1
3	93992	NUT-Wing (1/4-20)	1
4	A-00101-A	HANDLE GRIP ASSEMBLY	1
5	99772-A	TRIGGER	1
6	A-03008	CABLE-Throttle	1
7	82368	SCREW-Plastic (8 X 3/4")	6
8	A-04379-A	HOUSING-Drive Shaft	1
9	99818	SHAFT-Flexible	1
10	04458	DECAL-Starting Instructions	1
11	04879	DECAL-Warning	1
12	A-04638-A	GEAR HEAD	1
13	88048	SCREW-Hex Hd (10-24 X 1/2")	2
14	82298	SCREW-Hex Hd (10-24 X 5/8")	5
15	04188-A	WASHER-Flanged	1
16	04355	ADAPTOR-Shaft	1
17	A-04683-A	GRASS DEFLECTOR KIT	1
18a	00074	BLADE-Cut Off	1
18b	00075	BLADE-Cut Off	1
19	80858	SCREW-Mach. Hex Hd (10-24 X 3/8")	2
20	81208	NUT-Lock Hex (10-24)	2
21a	D.A-03901	STRINGHEAD COMPLETE (ST275) (.080" Line)	1
21b	D.A-04591	STRINGHEAD COMPLETE (HLT-26) (.085" Line)	1
22	A-98231-A	HOUSING & EYELET (Dual Line)	1
23	99648	SPRING-Compression	1
24a	DA-98912-D	SPOOL & STRING (.080" Line) (ST275)	1
24b	DA-02598-B	SPOOL & STRING (.085" Line) (HLT-26)	1
25	DA-98886-A	RETAINER-Spool (R H. Thread, Black)	1

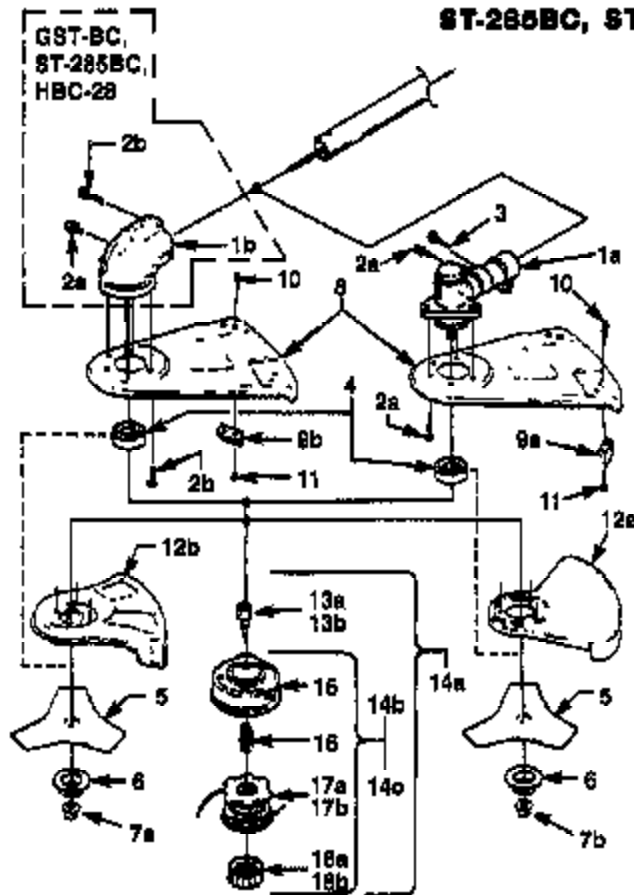
ASSEMBLIES

ST-285BC, ST-385BC, GST-BC, HBC-28



*** ASSEMBLIES**

No.	Part No.	Description	Qty
1	DA-92703-B	HARNESSE w/Connector (ST885-BC, HBC-28)	1
2	A-00788	HANDLE KIT-Front (ST885-BC, HBC-28)	1
3	00677	NUT-Hex (M5 X 0.8)	4
4	00678	SCREW-Hex Hd. (M5 X 0.8 X 35)	4
5	A-94442	BRACKET-Hanger (ST385-BC, HBC-28)	1
6	82280	SCREW-Thumb (10-24 X 1/2")	1
7	A-03911-1	HANDLE GRIP ASSEMBLY	1
8	A-98919-A	LEAD-Ground	1
9	A-03912	LEAD-Electrical	1
10	A-03006	THROTTLE CABLE	1
11	82368	SCREW-Plastic (6 X 3/4")	5
12	72084-A1	NUT-Toggle Switch	1
13	95231	PLATE-Indicating	1
14	93853	SWITCH-Toggle	1
15	98772-A	TRIGGER	1
16	48840	CABLE TIE	1
17a	A-03800-A	HOUSING-Drive Shaft (ST385-BC)	1
18a	04458	DECAL-Starting Instructions	1
19a	04493	DECAL-Safety	1
20a	98832	DRIVE SHAFT	1
17b	A-04883	HOUSING-Drive Shaft (HBC-28, ST285-BC, GST-BC)	1
18b	04458	DECAL-Starting Instructions	1
19b	02965	DECAL-Warning	1
20b	88818	SHAFT-Flexible	1
21	A-03490-A	J-HANDLE BAR KIT (ST285-BC, GST-BC)	1
22	94474-B	GRIP-Handle	1
23	86071	SCREW-Hex Hd. (1/4-20 X 1/2")	1
24	88078	SCREW-Hex Hd. (1/4-20 X 1")	1
25	00422	CLAMP-Handle Bar	1
26	81267	NUT-Hex (1/4-20)	2
27	83061	WASHER (1/4")	2

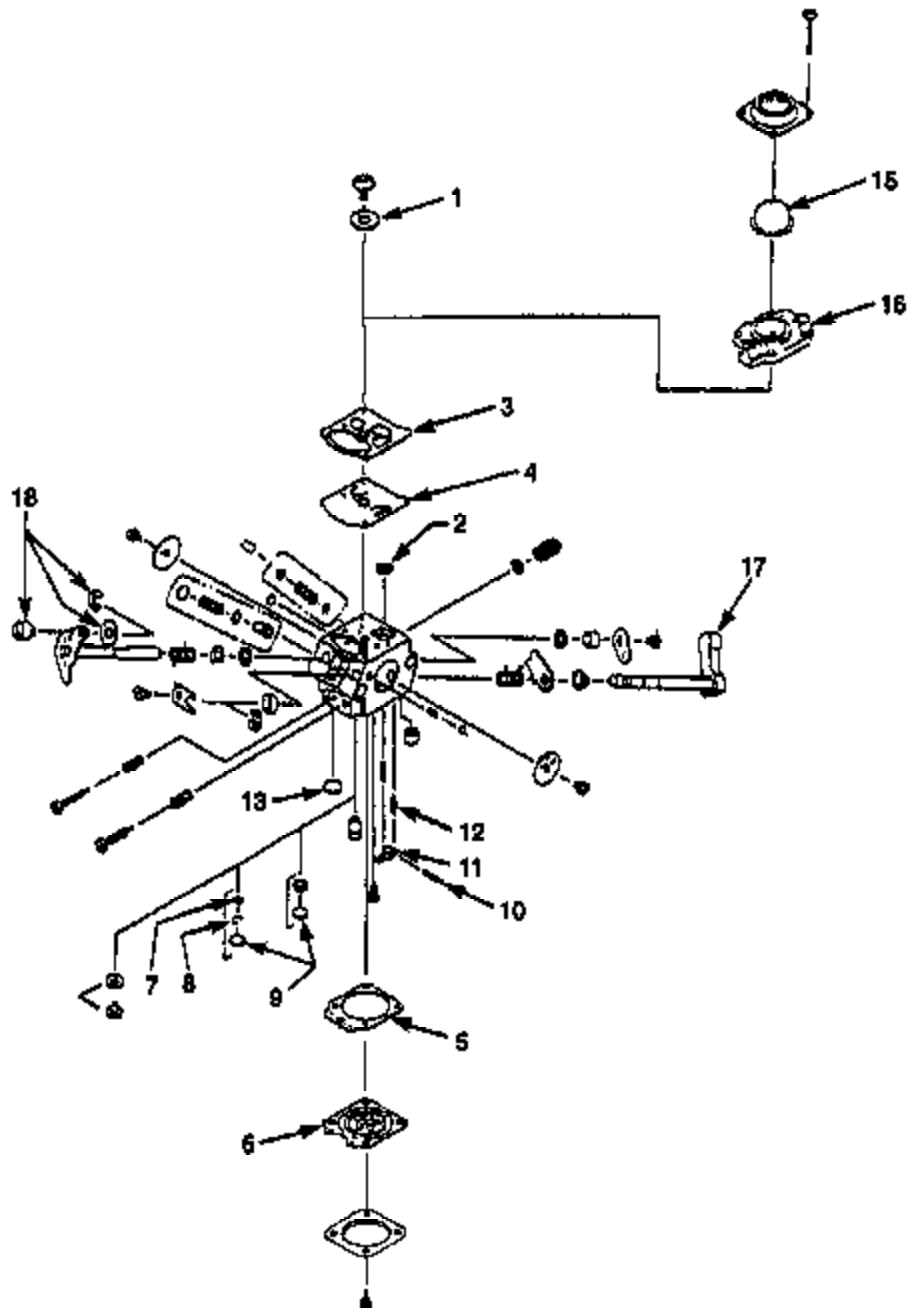


ST-285BC, ST-385BC, GST-BC, HBC-28

No.	Part No.	Description	Qty	No.	Part No.	Description	Qty
1a	A-03688	GEAR HEAD (ST385-BC)	1	12a	98847-2	BLADE GUARD (ST385-BC)	1
1b	A-04836-A	GEAR HEAD (ST285-BC, GST-BC, HBC-28)	1	12b	04410-1	BLADE GUARD (ST285-BC, GST-BC, HBC-28)	1
2a	88049	SCREW-Hex Hd (10-24 X 1/2")	2	13a	98851-41	SHAFT ADAPTOR (ST385-BC) (L H)	1
2b	82298	SCREW-Hex Hd (10-24 X 6/8") (ST285-BC, GST-BC, HBC-28)	6	13b	04386	SHAFT ADAPTOR (ST285-BC, GST-BC, HBC-28) (R H)	1
3	88053	SCREW-Socket Hd (10-24 X 1") (ST385-BC)	2	14a	DA-03174	STRINGHEAD COMPLETE (ST385-BC) (045" Line)	1
4	04188-A	WASHER-Flanged	1	14b	DA-04591	STRINGHEAD COMPLETE (HBC-28) (065" Line)	1
5	D-98717-B	BLADE-TriArc	1	14c	DA-03001	STRINGHEAD COMPLETE (ST285-BC, GST-BC) (080" Line)	1
6	04409	WASHER-Cupped, Lower	1	15	A-98291-A	HOUSING & EYELET	1
7a	98897	NUT-Hex Locking (R H.)	1	16	98846	SPRING-Compression	1
7b	04277	NUT-Hex Locking (L H.)	1	17a	DA-02598-B	SPOOL & STRING (ST385-BC, HBC-28)	1
8	A-04883	GRASS DEFLECTOR	1	17b	DA-98912-D	SPOOL & STRING (ST285-BC, GST-BC)	1
8a	00074	BLADE-Cut Off	1	18a	DA-97910-B	SPOOL RETAINER (ST385-BC) (L H)	1
8b	00075	BLADE-Cut Off	1	18b	DA-98896-A	SPOOL RETAINER (ST285-BC, GST-BC, HBC-28) (R H)	1
10	80888	SCREW-Mech Hex Hd (10-24 X 3/8")	2				
11	81208	NUT-Hex (10-24)	2				

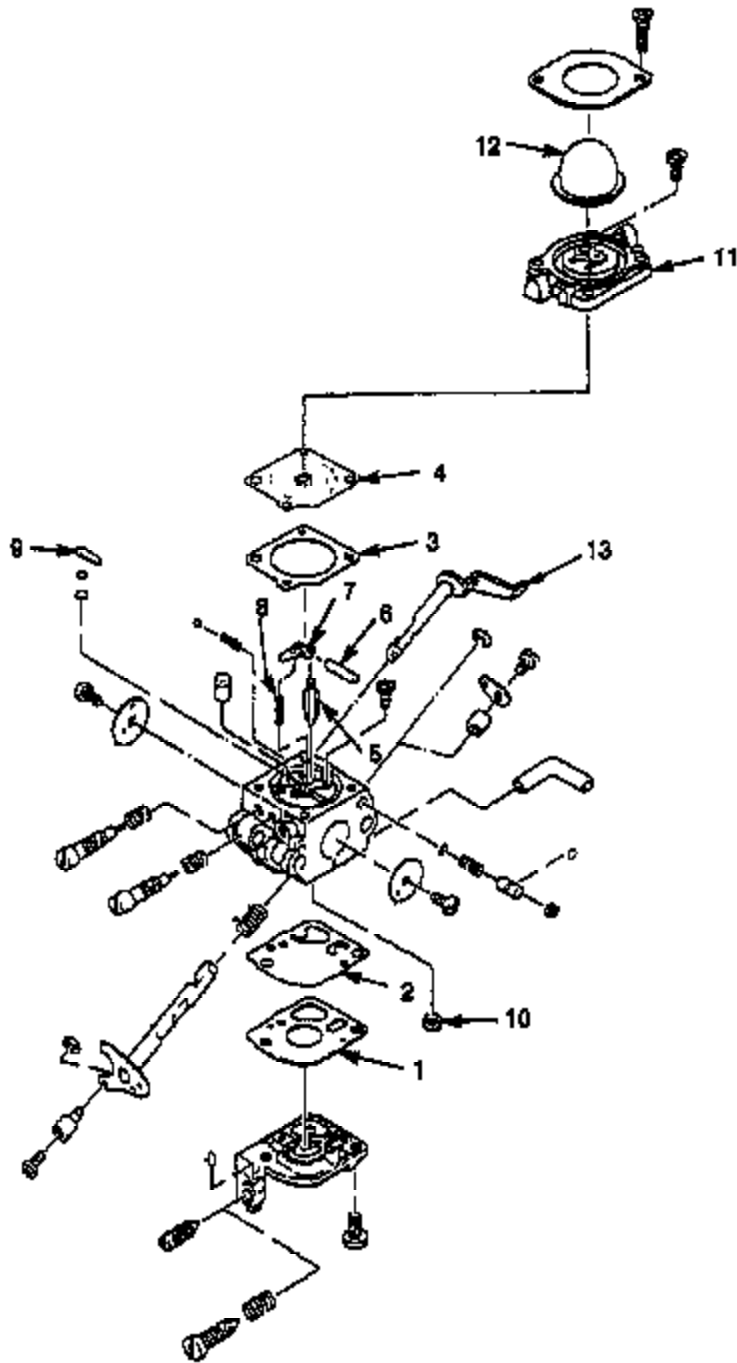
◆ ASSEMBLY

WALBRO
WT-191
 A-03002



Repair Kit (1-13) A-02665
 Gasket/Diaphragm Kit (3-5) A-00265-A
 Primer Bulb (15) 01201
 Primer Base (16) A-01200-A
 Choke Shaft & Lever 03176 (17)
 Swivel Kit A-00269 (18)

ZAMA
G1U-H18A
 A-03003



Repair Kit (1-10) A-03979
 Gasket/Diaphragm Kit (1-4) A-03880
 Primer Bulb (12) A-01195-A
 Primer Base (11) A-03062
 Choke Rod (13) 04902

ACCESSORIES

SAW BLADE..... **D-98935-A**
 (ST-185BC, GST-BC, ST-285BC, ST-385BC,
 HBC-18, HBC-28)

GREASE, MULTI-PURPOSE **18453**

MACHETE BLADE **DA-00714-A**
 (ST-185BC, GST-BC, ST-285BC, ST-385BC,
 HBC-18)

THREAD LOCKING COMPOUND **23488-C**

MODULE AIR GAP SHIM **24306**

SAW BLADE..... **A-04191**
 (ST-155, SX-135, ST-175G, HLT-15, GST,
 HLT-16, HLT-18)

IGNITION TEST SPARK PLUG **JA-31316-4**

RUBBER TUBING (10 Ft.) **94772-99**

STARTER ROPE (250 Ft. Reel) **98052-A**

ST FASTENER KIT **A-04709**

REPLACEMENT STRING (3 lb. Box) **98011-06**
 (.080" Dia.)

REPLACEMENT STRING (3 lb. Box) **03959-04**
 (.095" Dia.)

TORX BIT (T25) **24982-03**
 (For Clutch Drums)

TORX BIT (T27) **18566-01**

STRINGHEAD-Complete **A-03001**
 (.080 Line) (Right Hand Thread) (Black Re-
 tainer) (ST-155, SX-135, ST-175G, HLT-15,
 GST-18, HGT, ST-185BC, ST-275, ST-285BC,
 GST-BC)

STRINGHEAD-Complete **A-03174**
 (.095 Line) (Left Hand Thread) (Red Retainer)
 ST-385BC

STRINGHEAD-Complete **A-04591**
 (.095 Line) (Right Hand Thread) (Black Re-
 tainer) (HLT-16, HLT-18, HBC-18, HLT-28,
 HBC-28)

STRINGHEAD-Complete **A-04592**
 (.080 Line) (Left Hand Thread) (Red Retainer)
 (ST-275, ST-285BC, GST-BC)

CLUTCH MODELS	NON-CLUTCH MODELS	
<p>ST-185BC ST-285BC ST-385BC GST-BC HBC-18 HBC-28</p>	<p>ST-155 SX-135 ST-175G ST-275 GST-18</p>	<p>HLT-15 HLT-16 HLT-18 HLT-28</p>

CUSTOMER ASSISTANCE
 FOR THE LOCATION OF YOUR NEAREST HOMELITE SERVICING DEALER
 IN THE UNITED STATES, PUERTO RICO, AND THE VIRGIN ISLANDS,
CALL: 1-800-242-4672

HEADQUARTERS
 HOMELITE DIVISION OF TEXTRON INC.
 P.O. BOX 7047
 CHARLOTTE, N.C. 28241

OVERSEAS OFFICES		CANADIAN OFFICES
<p>NETHERLANDS HOMELITE TEXTRON DIVISION OF TEXTRON ATLANTIC (HQS. - EUROPE, AFRICA and MIDDLE EAST) Haverstraat 24 2183 GB Nieuw Vennep The Netherlands</p>		<p>HOMELITE DIVISION OF TEXTRON CANADA LIMITED 1850 65th Avenue Lachine, Quebec, Canada H8T 3J5</p>
<p>FRANCE HOMELITE DIVISION OF TEXTRON B.P. 7011 95050 Cergy-Pontoise Cedex France</p>	<p>AUSTRALIA HOMELITE DIVISION OF TEXTRON PACIFIC LIMITED HEADQUARTERS 84 Rushdale Street Knoxfield, Victoria 3180 Australia</p>	<p>212-214 550 Ebury Place New Westminster, B.C. V3M 6K7</p> <p>595 Canarollo Drive Toronto, Ontario M3J 2P6</p>

HOMELITE TEXTRON
 Homelite Division of Textron Inc.

0-667