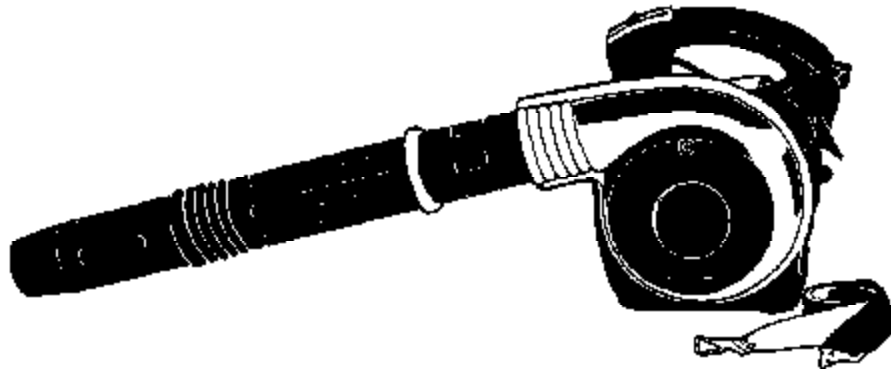


Homelite®

PARTS LIST

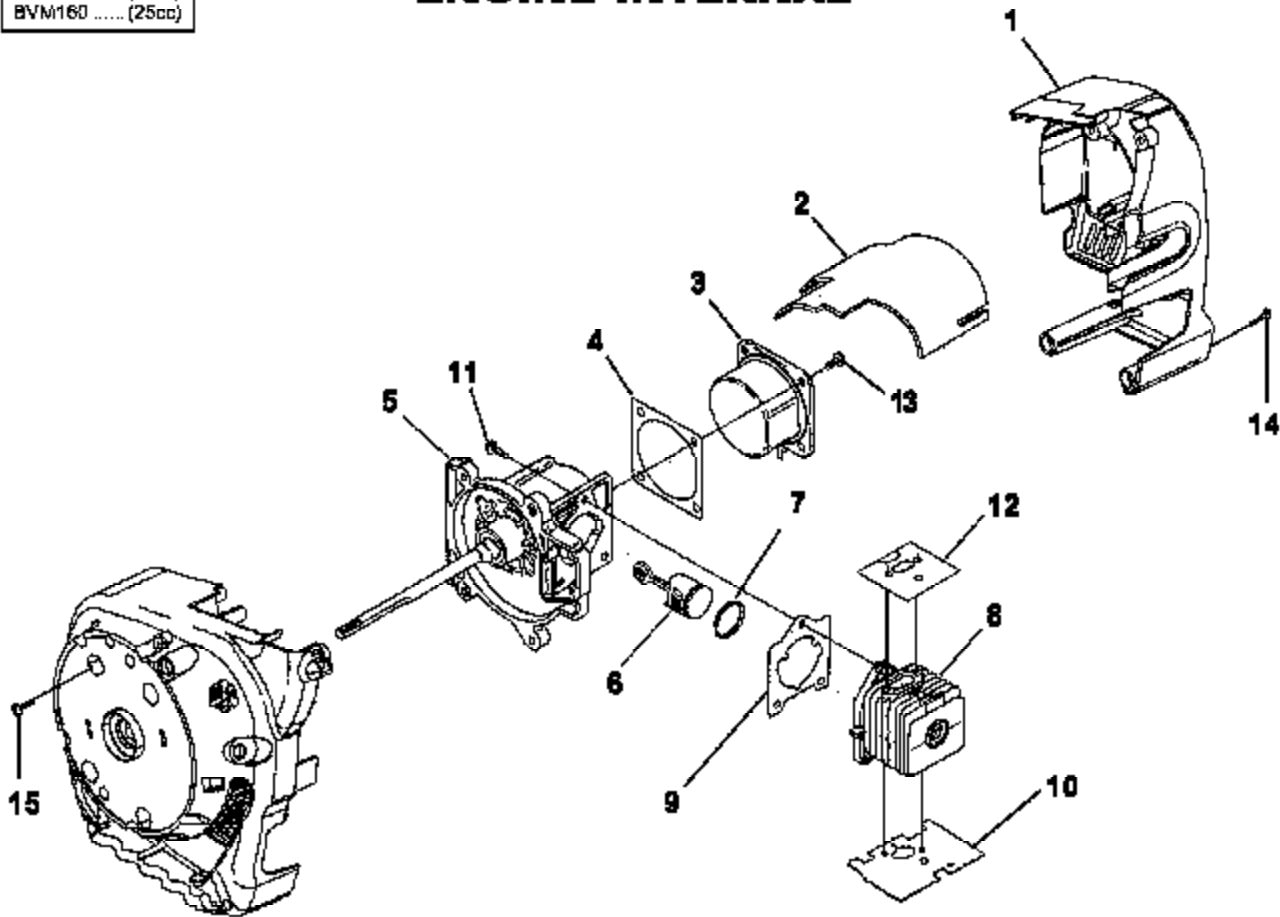


i30mhv UT08089
BVM160 UT08091

P/N PS03953

180mhv (30cc)
 BVM160 (25cc)

ENGINE INTERNAL



| NO. | PART NO. | DESCRIPTION | Qty. |
|-----|----------|-------------------------------------|------|
| 1 | UP 04314 | Shroud | 1 |
| 2 | UP 04322 | Heat Shield, Muffler | 1 |
| 3 | UP 06543 | Crankcase Cover | 1 |
| 4 | UP 04335 | Gasket, C/Case * | 1 |
| 5 | UP 08131 | Short Block (Svc) (30cc) | 1 |
| 6 | UP 03366 | Piston & Rod (30cc) | 1 |
| 7 | UP 03837 | Piston Ring (30cc) | 2 |
| 8 | UP 07146 | Cylinder Kit (30cc) | 2 |
| 9 | UP 03657 | Gasket, Cylinder | 1 |
| 10 | UP 04908 | Gasket, Heat Dam | 1 |
| 11 | UP 04345 | Screw, Sems (12-24 x 3/4) | 3 |
| 12 | UP 03817 | Gasket, Muffler | 1 |
| 13 | PS 01565 | Screw, Sems (10-24 x .660) | 4 |
| 5 | UP 03183 | Short Block (Svc) (25cc) | 1 |
| 6 | UP 00768 | Piston & Rod (25cc) | 1 |
| 7 | UP 03838 | Piston Ring (25cc) | 1 |
| 8 | UP 04136 | Cylinder Kit (25cc) | 1 |
| 9 | UP 03657 | Gasket, Cylinder | 1 |
| 10 | UP 04908 | Gasket, Heat Dam | 1 |
| 11 | UP 04345 | Screw, Sems (12-24 x 3/4) | 3 |
| 12 | UP 03817 | Gasket, Muffler | 1 |
| 13 | PS 01565 | Screw, Sems (10-24 x .660) | 4 |
| 14 | UP 03805 | Screw, Thread Forming (10-14 x 7/8) | 6 |
| 15 | UP 03406 | Tapfits, Truss (10-24 x 3/4) | 4 |

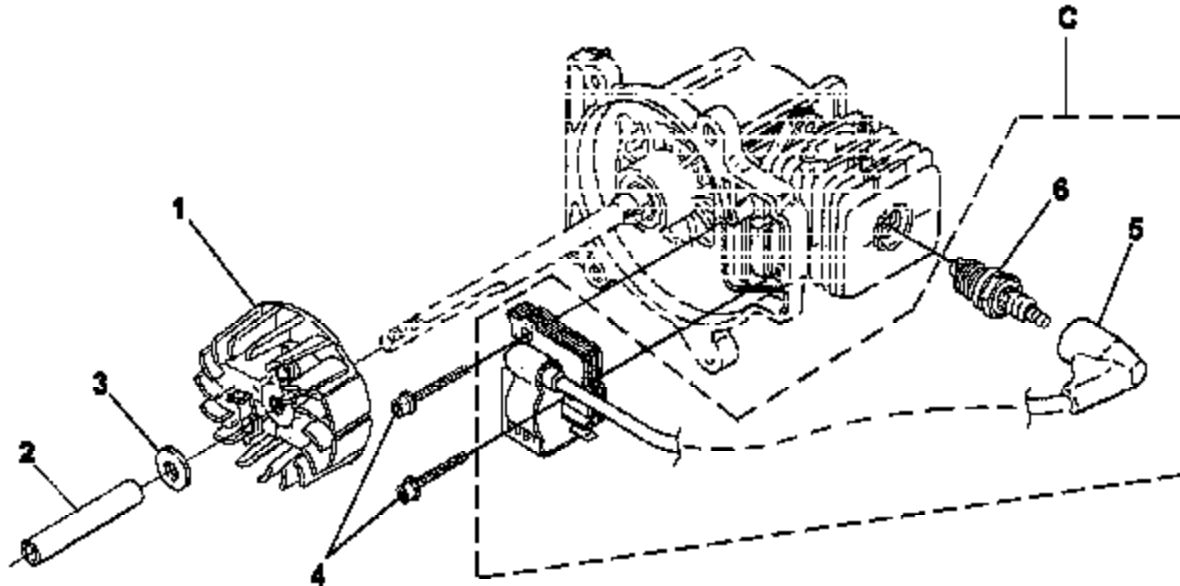
* Also included with Short Block and Cylinder assemblies.

| Item No. | Torque Specs | | Required Loctite |
|----------|--------------|---------|------------------|
| | In/Lbs | Nm | |
| 11..... | 55-85 | 6.2-7.3 | 262 Red |
| 13..... | 35-45 | 4.0-5.1 | 262 Red |
| 14..... | 30-40 | 3.4-4.5 | |
| 15..... | 55-60 | 6.2-6.8 | |

| Warranty Flat Rate | | |
|--------------------|------------------------------|----------|
| Job | Description | Time/Hr. |
| GB20 .. | Short Block | 1.0 |
| GD22 .. | Shroud | .3 |
| GB21 .. | Crankcase Cover | .3 |
| GB10 .. | Partial Engine Rebuild | 1.0 |

130mhv (30cc)
 BVM160 (25cc)

IGNITION



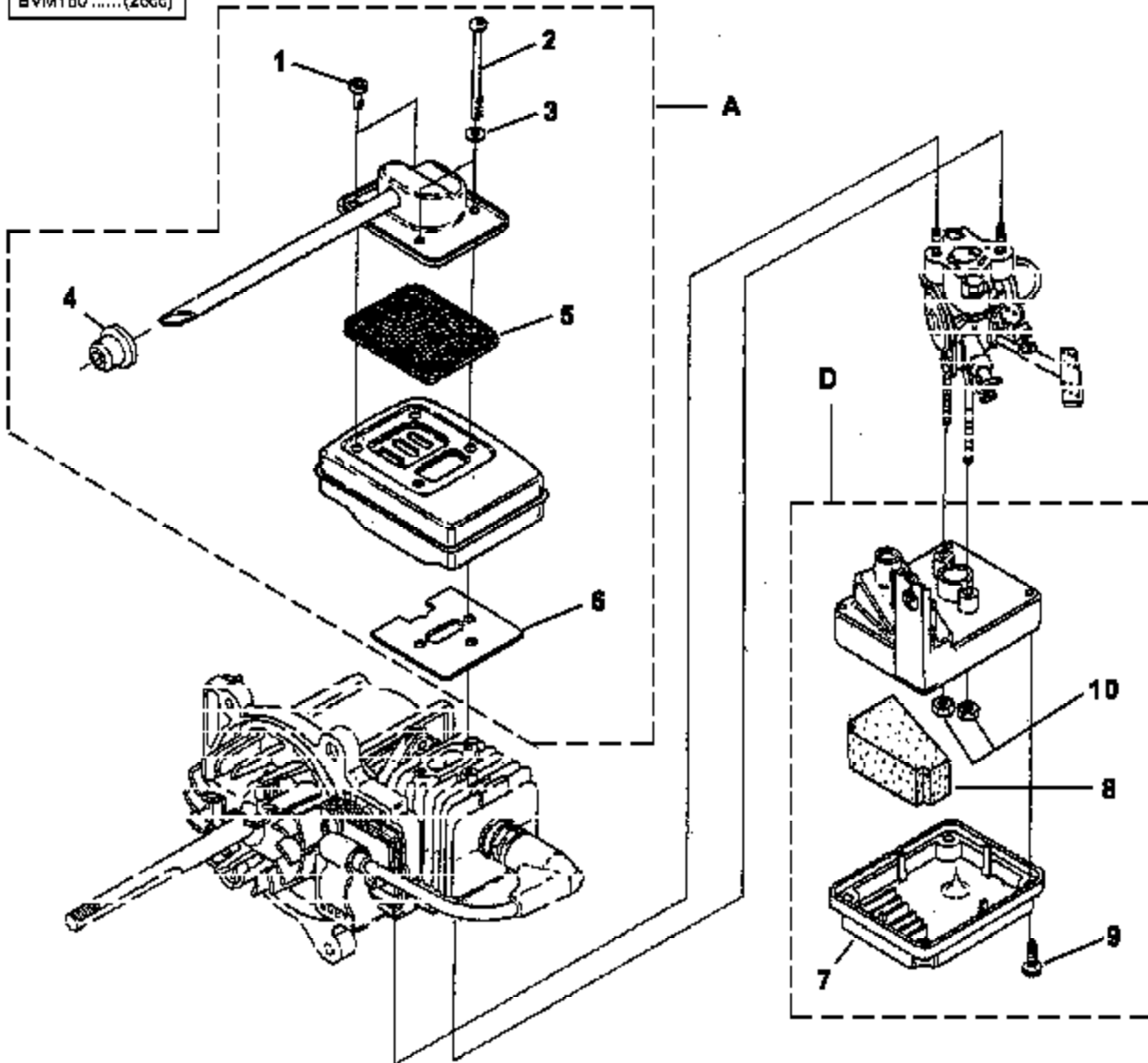
| NO. | PART NO. | DESCRIPTION | Qty. |
|-----|----------|---------------------------------|------|
| 1 | UP 03009 | Rotor & Starter Pawls | 1 |
| 2 | UP 03855 | Spacer | 1 |
| 3 | UP 03906 | Washer, Flat | 1 |
| 4 | UP 03888 | Screw-Thread Forming (8-32 X 1) | 2 |
| C | UP 03858 | Ignition Kit | 1 |
| 5 | UP 03856 | Terminal & Cover | 1 |
| 6 | UP 03883 | Resistor Spark Plug (RDJ-7Y) | 1 |

| Item No. | Torque Specs | | Required Locks |
|----------|--------------|-----------|----------------|
| | In/Lbs | Nm | |
| 4 | 30-40 | 3.4-4.5 | 242 Blue |
| 6 | 120-180 | 13.6-20.8 | |

| Warranty Flat Rate | | | |
|--------------------|---------------------|-------|------|
| Job | Description | Time | Rate |
| FA22 | ... Rotor | | 7 |
| FA18 | ... Ignition Module | | 7 |

i30mhv(30cc)
BVM160(25cc)

MUFFLER - AIR CLEANER



| NO. | PART NO. | DESCRIPTION | Qty. |
|-----|----------|--|------|
| A | UP 06823 | Muffler Assembly, Crimped | 1 |
| 1 | UP 04248 | Screw, Tap/lie (8-32 x 3/8) | 2 |
| 2 | UP 04249 | Screw, Torx Truss Hd. (10-24 X 2.188") | 2 |
| 3 | UP 03866 | Washer, Conical #10 | 2 |
| 4 | UP 04321 | Muffler Grommet | 1 |
| 5 | UP 04316 | Screen Assy., Spark | 1 |
| 6 | UP 03817 | Gasket, Muffler * | 1 |
| D | UP 06824 | Air Filter Assembly | 1 |
| 7 | UP 04318 | Cover, Air Box | 1 |
| 8 | UP 04323 | Filter Element #1 | 1 |
| 9 | UP 03893 | Screw, Thread Forming (8-16 X .50) | 4 |
| 10 | UP 03865 | Nut, Lock Hex (10-24) | 2 |

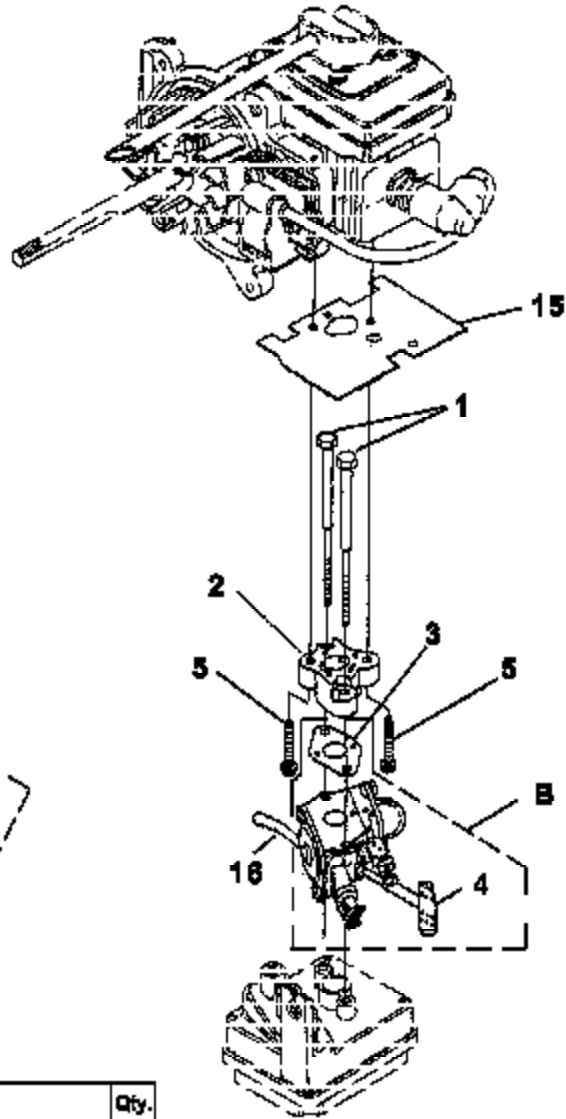
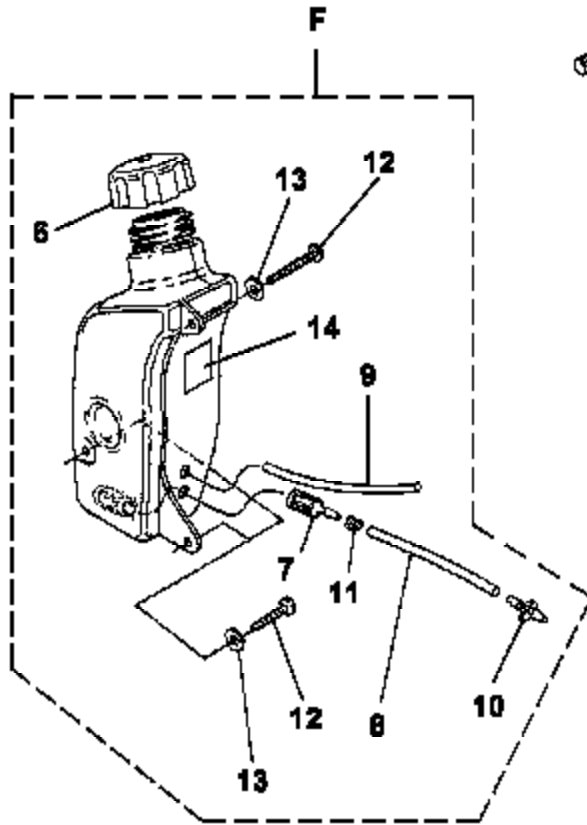
| Item No. | Torque Specs | | Required Loctite |
|----------|--------------|---------|------------------|
| | In/Lbs | Nm | |
| 1 | 20-30 | 2.3-3.4 | |
| 2 | 50-60 | 6.6-6.8 | |
| 9 | 30-40 | 3.4-4.5 | |
| 10 | 30-40 | 3.4-4.5 | |

| Warranty Flat Rate | | |
|--------------------|-----------------|----------|
| Job | Description | Time/Hr. |
| CB18 | Muffler Assy | 3 |
| CB22 | Spark Screen | 3 |
| CF42 | Air Filter Assy | 3 |

* Also Included with Short Block and Cylinder assemblies.

i30mhv (30cc)
 BVM160 (26cc)

CARBURETOR - FUEL TANK



| NO. | PART NO. | DESCRIPTION | Qty. |
|-----|----------|---|------|
| 1 | UP 04307 | Screw, Machine (10-24 x 2.8) | 2 |
| 2 | UP 03863 | Heat Dam | 1 |
| B | UP 00654 | Carburetor Assembly | 1 |
| 3 | UP 03818 | Gasket, Carburetor * | 1 |
| 4 | UP 04278 | Lever, Choke (Zama) | 1 |
| 6 | UP 04140 | Screw, Sems (10-24 x 1") * | 2 |
| F | UP 00486 | Fuel Tank Assy. | 1 |
| 6 | UP 04708 | Fuel Cap | 1 |
| 7 | UP 03871 | Fuel Filter | 1 |
| 8 | UP 04347 | Tubing, Rubber (3") | 1 |
| 9 | UP 04294 | Tubing, Rubber (5") | 1 |
| 10 | UP 04310 | Fitting, Inlet (small for 2.5mm ID fuel line) | 1 |
| | UP 03881 | Fitting, Inlet (large for 3mm ID fuel line) | 1 |
| 11 | UP 03813 | Clamp, Wire | 1 |
| 12 | UP 03900 | Screw, Thread Forming (10-14 x 3/4) | 8 |
| 13 | UP 03887 | Washer | 8 |
| 14 | UP 03907 | Tape, Aluminum | 1 |
| 15 | UP 04308 | Gasket, Heat Dam * | 1 |
| 16 | UP 04294 | Tubing, Rubber (5") | 1 |

* Also Included with Short Block and Cylinder assemblies.

| Item No. | Torque Specs | | Required Loctite |
|----------|--------------|------------|------------------|
| | In/Lbs | Nm | |
| 1 | 30-40 | 3.4-4.5 ** | |
| 5 | 50-80 | 5.6-8.8 | 262 Red |
| 12 | 30-40 | 3.0-4.0 | |

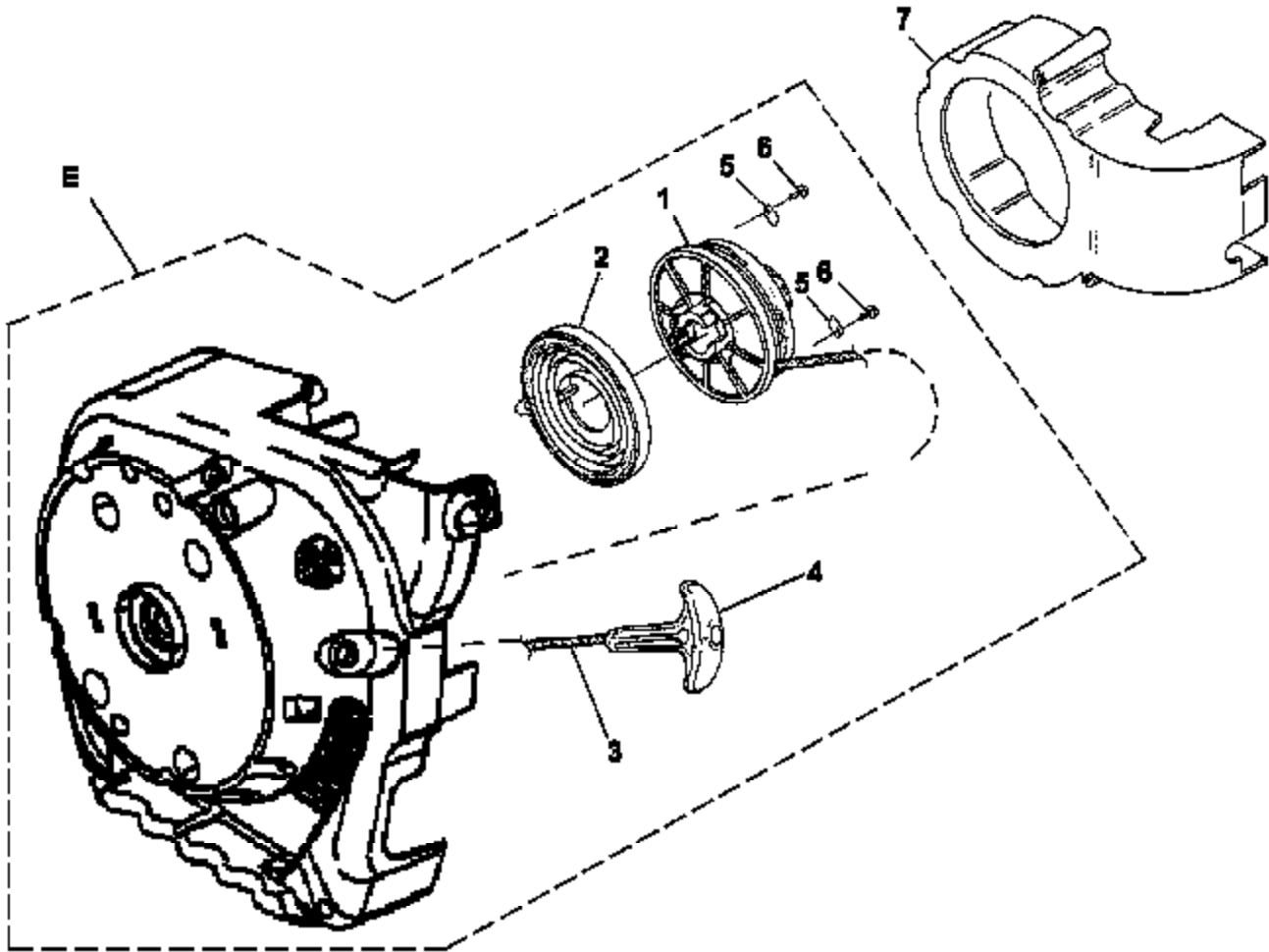
** See Torque Specs, page 4 - Item 10

| Job | Description | Warranty Flat Rate | |
|------|-----------------------|--------------------|----|
| | | Time/Hr. | |
| CF17 | Heat Dam | | .3 |
| CF10 | Carburetor/Replace | | .3 |
| FF16 | Choke Lever | | .3 |
| CF16 | Fuel Tank | | .3 |
| CF12 | Fuel Line/Fuel Return | | .3 |

11/8/2000

130mhv(30cc)
 BVM160(25cc)

STARTER



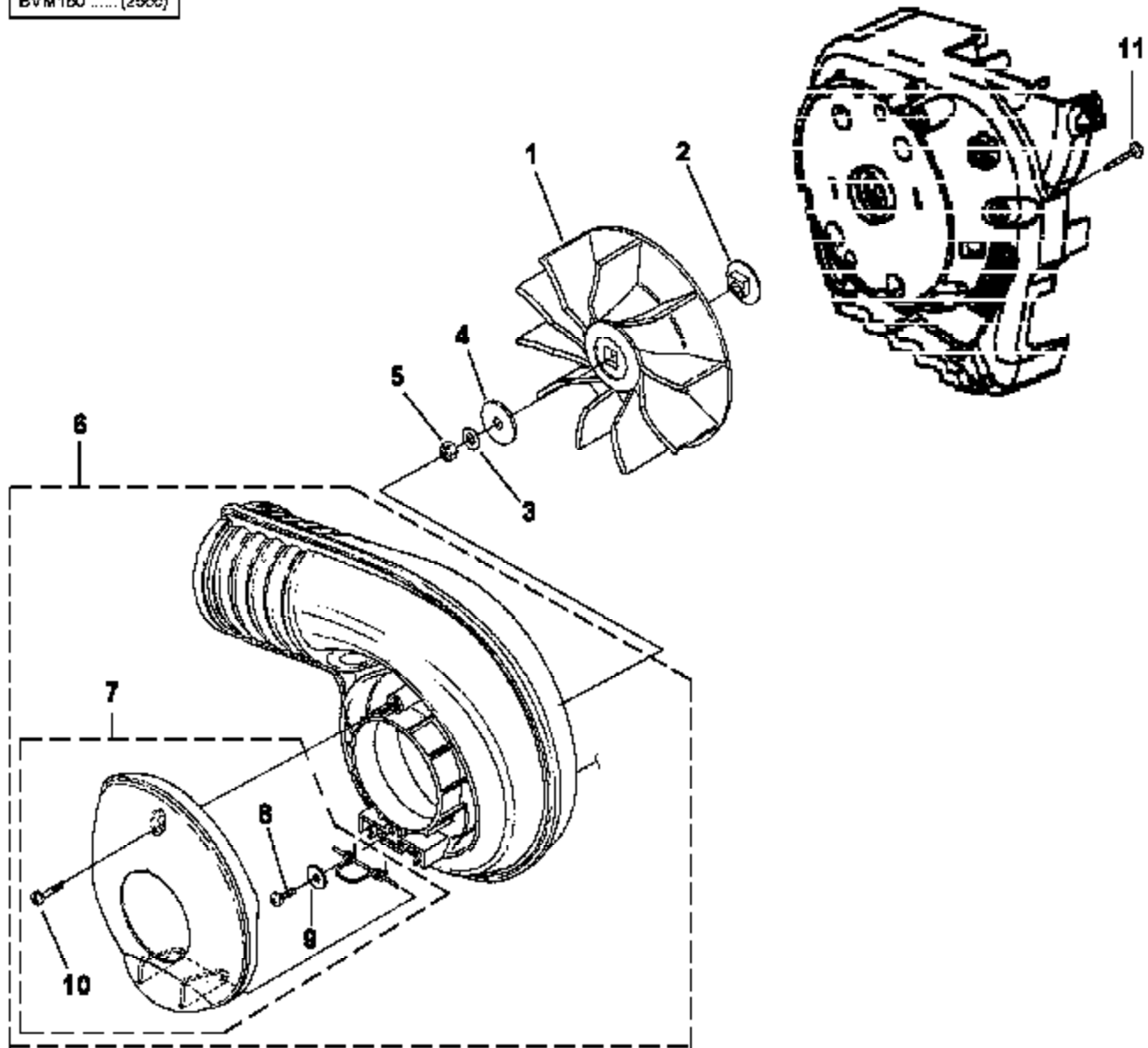
| NO. | PART NO. | DESCRIPTION | Qty. |
|-----|----------|--------------------------|------|
| E | UP 00497 | Starter (Svc) | 1 |
| 1 | UP 04349 | Pulley, Starter | 1 |
| 2 | UP 03917 | Spring & Container | 1 |
| 3 | UP 03912 | Rope, Starter 42" | 1 |
| 4 | UP 04276 | Grip, Starter | 1 |
| 5 | UP 03919 | Bracket-Retaining | 2 |
| 6 | UP 03997 | Screw-Plastic (#10-1/2") | 2 |
| 7 | UP 04318 | Scroll | 1 |

| Item No. | Torque Spec | | Required Locals |
|----------|-------------|---------|-----------------|
| | In/Lbs | Nm | |
| 6 | 30-40 | 3.4-4.5 | |

| Warranty Flat Rate | | |
|--------------------|--------------|----------|
| Job | Description | Time/Hr. |
| CG10 | Starter Assy | 8 |
| CD60 | Scroll | 8 |

130mhw (30cc)
 BVM160 (25cc)

VOLUTE - FAN



| NO. | PART NO. | DESCRIPTION | Qty. |
|-----|----------|-------------------------------------|------|
| 1 | UP 04311 | Fan | 1 |
| 2 | UP 04908 | Adapter, Fan | 1 |
| 3 | UP 08825 | Washer, Belleville | 1 |
| 4 | UP 03873 | Washer, Flat | 1 |
| 5 | UP 03854 | Nut (3/8-24) | 1 |
| 6 | UP 06899 | Volute W/Door Assembly | 1 |
| 7 | UP 08898 | Volute Door | 1 |
| 8 | UP 03837 | Screw, Thread Forming (10-14 X 1/2) | 1 |
| 9 | UP 08909 | Washer | 1 |
| 10 | UP 04547 | Screw, Machine (10-24 X 3/4) | 1 |
| 11 | UP 03895 | Screw, Plastic (10-14 X 7/8) | 6 |

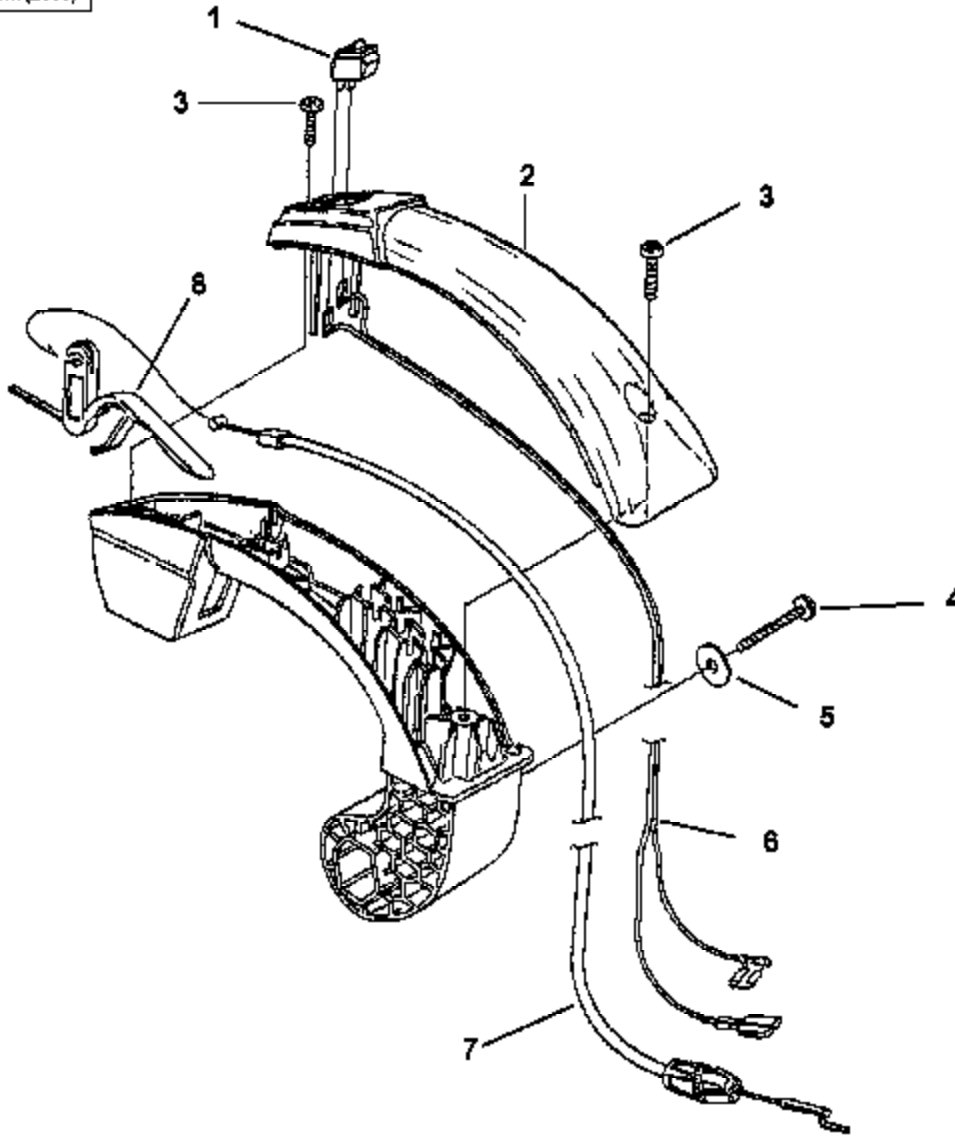
| Item No. | Torque Specs | | Required Location |
|----------|--------------|-----------|-------------------|
| | In/Lbs | Nm | |
| 5 | 130-150 | 14.7-17.0 | |
| 8 | 30-40 | 3.4-4.5 | |
| 10 | 15-20 | 1.7-2.3 | |
| 11 | 85-95 | 4.0-5.0 | |

| Job | Description | Warranty Flat Rate | |
|------|----------------|--------------------|----------|
| | | Rate | Time/Hr. |
| CD81 | .. Fan | | 5 |
| CD80 | .. Volute | | 4 |
| CD24 | .. Volute Door | | 8 |

11/8/2000

130mhv(30cc)
 BVM160(25cc)

HANDLE



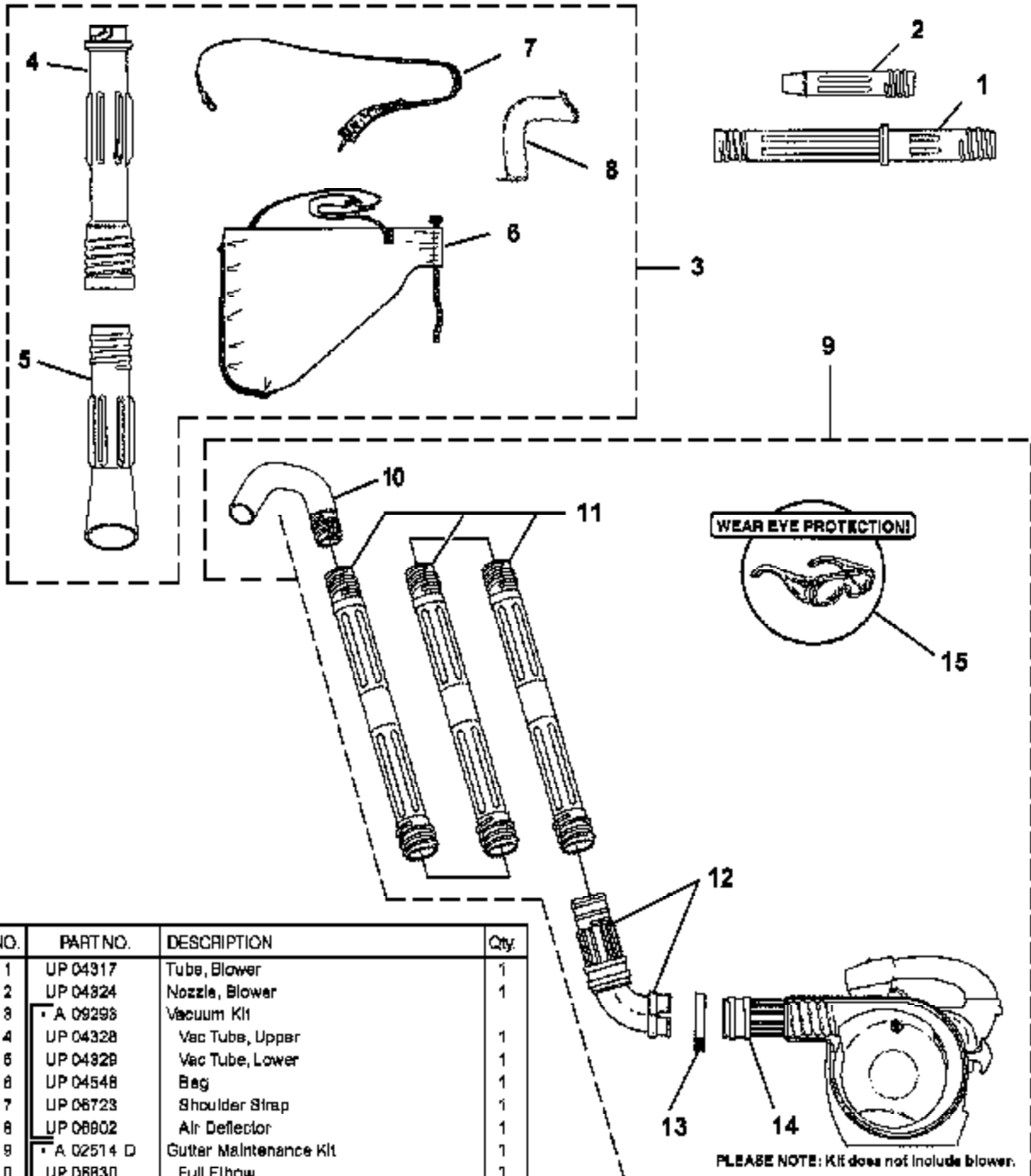
| NO. | PART NO. | DESCRIPTION | Qty. |
|-----|----------|-------------------------------------|------|
| | UP 06900 | Handle Assembly | 1 |
| 1 | UP 04320 | Switch, Rocker (Stop) | 1 |
| 2 | UP 04326 | Handle Cover | 1 |
| 3 | UP 03896 | Screw, Thread Forming (8-16 X 1/2) | 2 |
| 4 | UP 03893 | Screw, Thread Forming (10-14 X 7/8) | 1 |
| 5 | UP 08901 | Washer, Flat | 1 |
| 6 | UP 04333 | Kill Switch Lead | 1 |
| 7 | UP 04327 | Cable, Throttle | 1 |
| 8 | UP 04328 | Trigger | 1 |

| Item No. | Torque Specs | | Required Locks |
|----------|--------------|---------|----------------|
| | In.Lbs | Nm | |
| 3 | 10-25 | 1.1-2.8 | |
| 4 | 30-45 | 3.4-5.1 | |

| Warranty Flat Rate | | | |
|--------------------|-------------------|-------|----------|
| Job | Description | | Time/Hr. |
| CD20 | .. Handle | | 4 |
| CA17 | .. Switch | | 3 |
| CF18 | .. Throttle Cable | | 4 |
| CF35 | .. Trigger | | 3 |
| CA16 | .. Lead Wire | | 8 |

130mhv (90cc)
 BVM160 (25cc)

TUBES - STRAP - ACCESSORIES



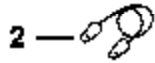
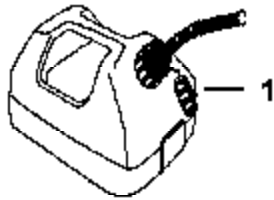
| NO. | PART NO. | DESCRIPTION | Qty. |
|-----|-----------|------------------------------|------|
| 1 | UP 04317 | Tube, Blower | 1 |
| 2 | UP 04324 | Nozzle, Blower | 1 |
| 3 | A 09296 | Vacuum Kit | 1 |
| 4 | UP 04328 | Vac Tube, Upper | 1 |
| 6 | UP 04329 | Vac Tube, Lower | 1 |
| 8 | UP 04548 | Bag | 1 |
| 7 | UP 06723 | Shoulder Strap | 1 |
| 8 | UP 06902 | Air Deflector | 1 |
| 9 | A 02514 D | Gutter Maintenance Kit | 1 |
| 10 | UP 06830 | Full Elbow | 1 |
| 11 | UP 05616 | Straight Tube | 3 |
| 12 | UP 06836 | Upper Elbow & Swivel Adapter | 1 |
| 13 | UP 03821 | Large Clamp | 1 |
| 14 | UP 06866 | Adapter | 1 |
| 15 | UP 06835 | Safety Glasses - Clear | 1 |

| Part No. | Special Tools Description |
|------------|---------------------------|
| 18416 | Electronic Tachometer |
| 18774 | Fuel Mix Tester |
| 23486 C | Thread Locking Compound |
| 24982 03 | T25 Torx Bit 6" Long |
| 84184 | Compression Tester |
| JA 81316 4 | Spark Tester |

11/8/2000

130m/hv (30cc)
 BVM160 (25cc)

ACCESSORIES



| NO. | PART NO. | DESCRIPTION | Qty. |
|-----|-----------|--------------------------------|------|
| 1 | A 02976 A | GAS CAN 1 1/4 Gallon | |
| 2 | UP 06639 | EAR PLUGS | |
| 3 | UP 06635 | SAFETY GLASSES-Clear | |
| 4 | 01231 D | EXACT MIX™ Oil - 1 pint (50:1) | |
| 5 | A 06778 | GOGGLES | |
| 6 | UP 07684 | EAR PROTECTORS | |

NOTES

For product information, technical help, dealer locations or parts ordering information visit our website at:
www.homelite.com

John Deere Consumer Products, Inc.

P.O. Box 7047
 Charlotte, NC 28241
 tel: USA only - 1-800-242-4672 / fax: 1-704-588-0926

**John Deere Consumer Products Limited
 Produits Consommateurs John Deere Limitée**

1850-55th Avenue
 Lachine, Québec, Canada H8T 3J6
 tel: Canada only - 1-800-363-5715 / fax: Canada only - 1-800-665-1588

John Deere Consumer Products Europe B.V.

Haverstraat 24
 2153 GB Nieuw Vennep
 The Netherlands
 tel: +31-252-687342 / fax: +31-252-687903

John Deere Consumer Products SARL

Rue du Paradis - BP 231 - Ormes
 45144 Saint-Jean-De-La-Ruelle
 Cedex, France
 tel: 33-23-874-2630 / fax: 33-23-870-0279

John Deere Limited

A.C.N. 008 671 725
 166-170 Magnesium Drive
 Crestmead, Queensland 4132
 Australia
 tel: 61-7-3802-3222 / fax: 61-7-3803-6555

John Deere Consumer Products, Inc.