

**HOMELITE®
BLOWER**
Model HB-280

UT08002

PART NO. 17637
Printed in U.S.A.
Price 35¢

**UT08002A
UT08005**

PARTS LIST

**HOMELITE®
BLOWER**
Model HB-480

**UT08001
UT08001-A**

**UT08000
UT08000-A**

**HOMELITE®
MISTER/
BLOWER**
Model HB-680

**HOMELITE
TEXTRON**

Homelite Division of Textron Inc.

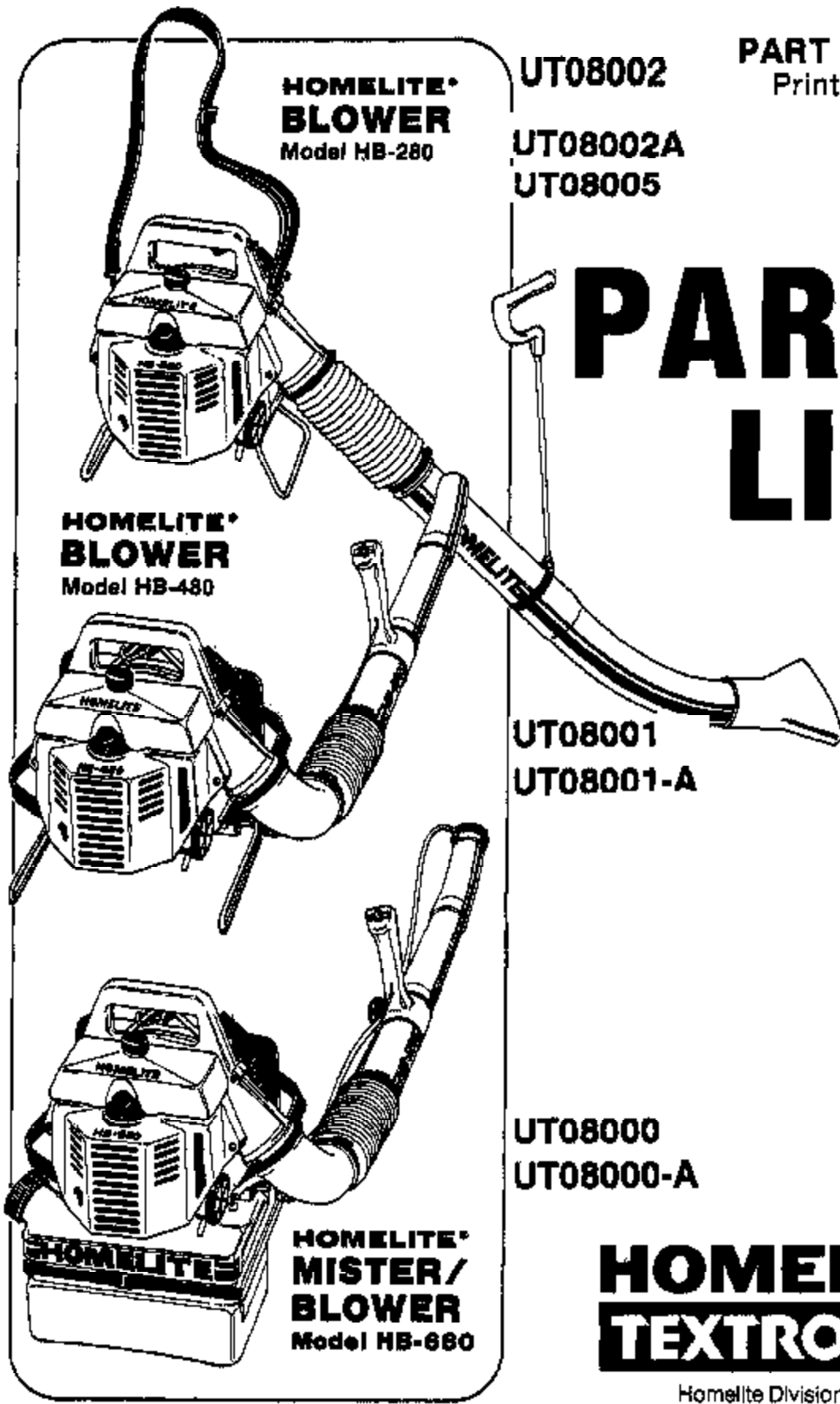
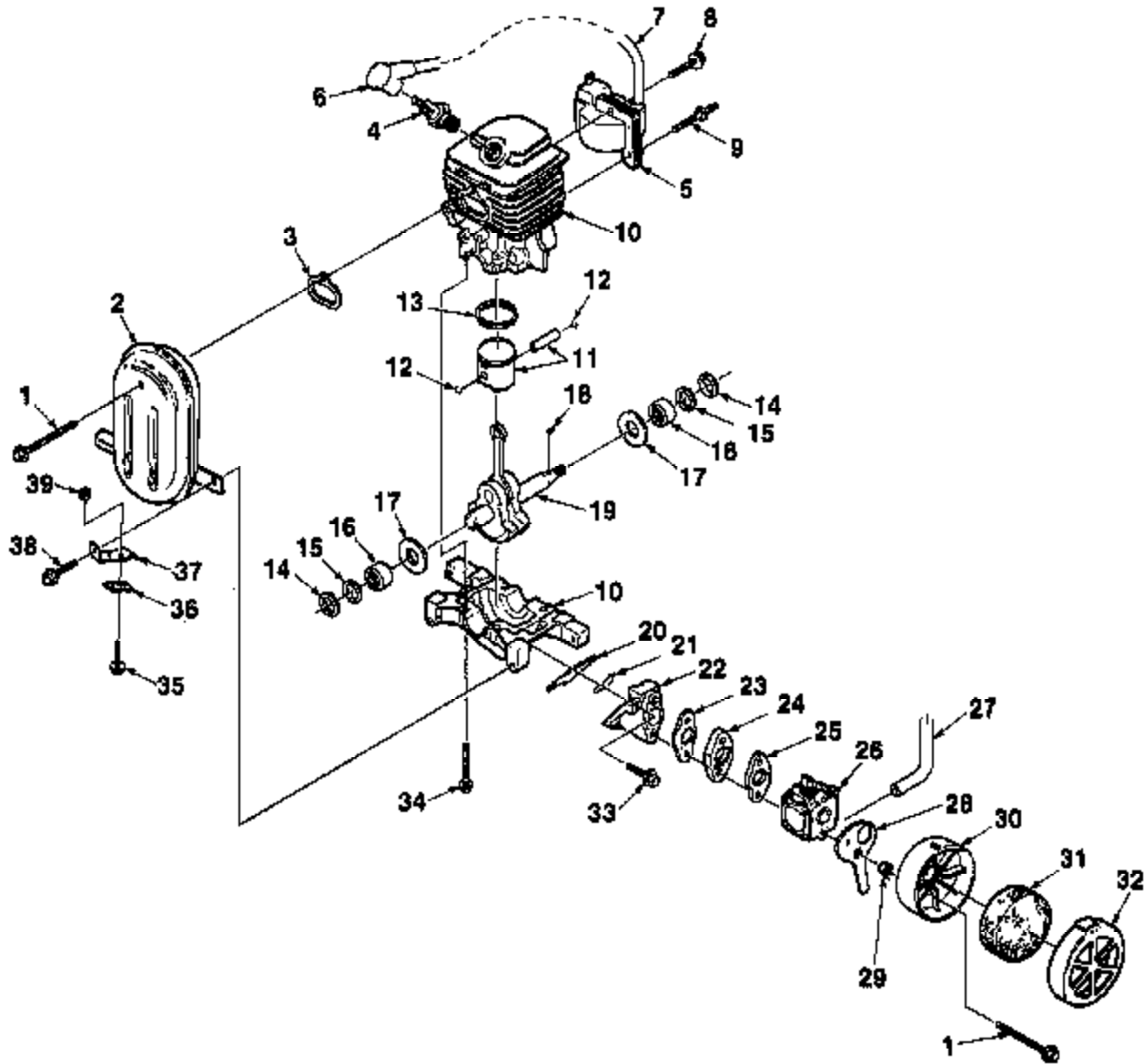


FIGURE 1

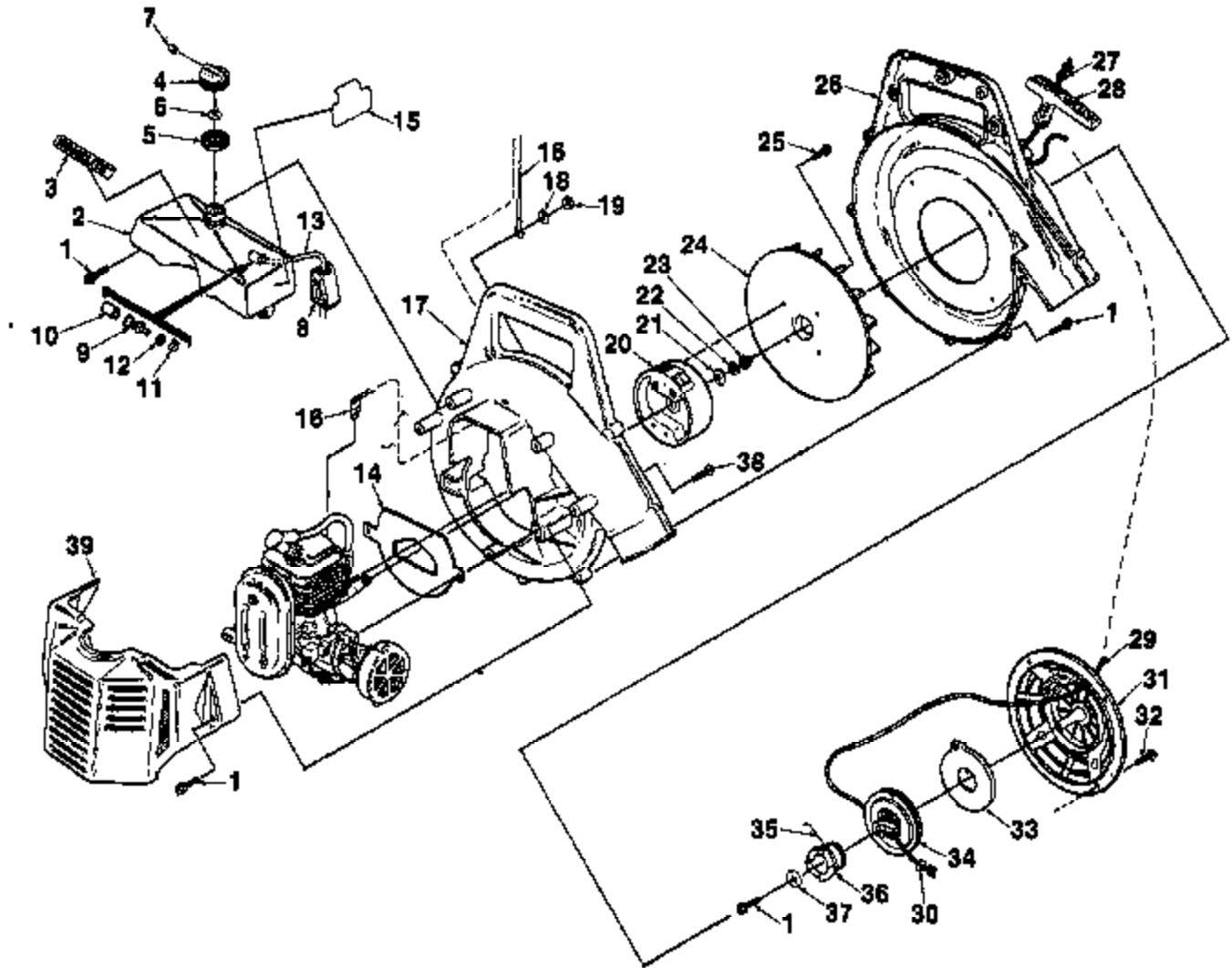


ALWAYS FURNISH MODEL AND SERIAL NUMBER WHEN ORDERING PARTS.

NO.	DESCRIPTION	PART NO.				QTY.	NO.	DESCRIPTION	PART NO.				QTY.
			HB-680	HB-480	HB-280					HB-680	HB-480	HB-280	
1	SCREW- Hex Sems (10-24 x 2)	88057	x	x	x	3	17	WASHER	69093-B	x	x	x	2
2	MUFFLER	A-95767-1A	x	x	x	1	18	KEY- Magneto	69250	x	x	x	1
3	GASKET- Muffler	93801	x	x	x	1	19	CRANKSHAFT (w/rod)	A-96615	x	x	x	1
4	SPARK PLUG (Champion) DJ-7J	68816-S	x	x	x	1	20	GASKET- Housing	93884-A	x	x	x	1
6	MODULE- Ignition	94711	x	x	x	1	21	REED	69148	x	x	x	2
	Includes						22	SPACER- Carburetor	94464-A	x	x	x	1
8	TERMINAL	A-33066	x	x	x	1	23	GASKET- Manifold	96100	x	x	x	1
7	LEAD- High tension	69326	x	x	x	1	24	MANIFOLD- Intake	96101	x	x	x	1
8	SCREW- Hex washer (8-32 x 3/4)	82248	x	x	x	1	25	SPACER- Carburetor	86680-A	x	x	x	1
9	STANDOFF	95735	x	x	x	1	26	CARBURETOR (Walbro #WA-65)	A-95736	x	x	x	1
10	CRANKCASE & CYLINDER	A-98906-2	x	x	x	1	27	TUBING- Rubber 8"	70310-60	x	x	x	1
	CRANKCASE & CYLINDER	A-96730	x			1	28	LEVER- Choke	96777	x	x	x	1
	Includes						29	SPACER- Choke lever	96948	x	x	x	1
	FITTING- Tube						30	HOUSING- Air filter	96749	x	x	x	1
	[see figure #5, index #69]	95763	x			1	31	ELEMENT- Air filter	96746	x	x	x	1
	SCREW- Sems hex hd						32	COVER- Air filter	96750	x	x	x	1
	(8-32 x 1") (see index #34)	88044		x	x	4	33	SCREW- (10-24 x 3/12)	93884	x	x	x	2
11	PISTON & PIN	A-96399	x	x	x	1	34	SCREW- Sems hex hd (8-32 x 1")	96044	x	x	x	4
	Includes						35	SCREW- Mach (8-32 x 3/16)	88041	x	x	x	1
12	RING- Piston pin retaining	65261	x	x	x	2	36	CLAMP- Throttle	96358	x	x	x	1
13	PISTON RING	68312	x	x	x	1	37	CLAMP- Throttle	96767	x	x	x	1
14	SEAL- Shaft	94638	x	x	x	2	38	SCREW- Hex sems (#10-24 x 3/4)	88051	x	x	x	2
15	SPACER- Seal	89407	x	x	x	2	39	NUT- Hex centerlock (8-23)	81223	x	x	x	1
16	BEARING- Needle	12530	x	x	x	2							

ALWAYS FURNISH MODEL AND SERIAL NUMBER WHEN ORDERING PARTS.

FIGURE 2



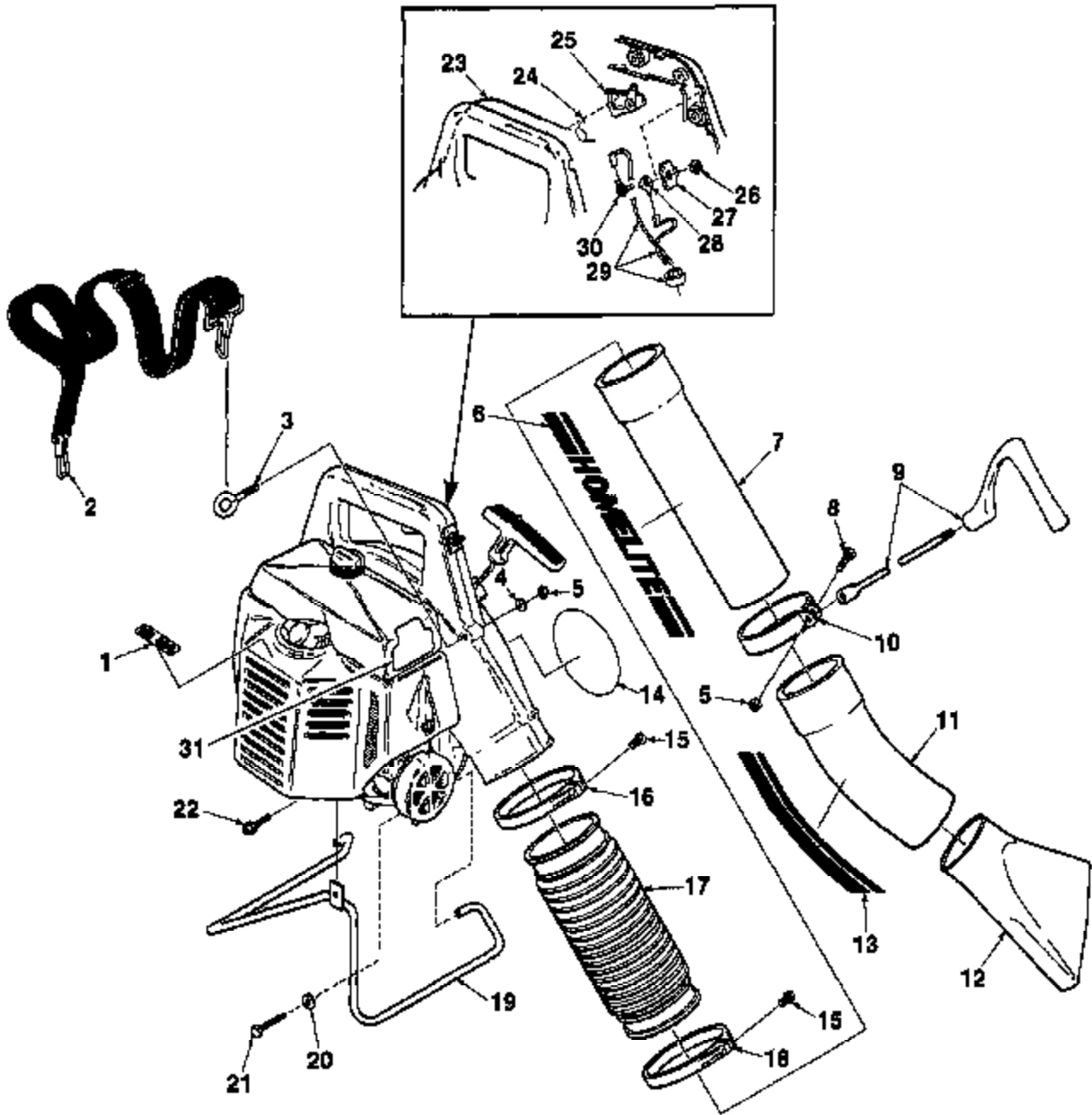
ALWAYS FURNISH MODEL AND SERIAL NUMBER WHEN ORDERING PARTS.

NO.	DESCRIPTION	PART NO.				NO.	DESCRIPTION	PART NO.				QTY.
			HB-680	HB-480	HB-280				HB-680	HB-480	HB-280	
1	SCREW- Thread forming (plastic #10 x .750)	70771	x	x	18	19	NUT- Hex center lock (10-24)	81208	x	x	x	1
	SCREW- Thread forming (plastic #10 x .750)	70771			x 11	20	ROTOR- Magneto	95733	x	x	x	1
2	TANK- Fuel	A-98716-A	x	x	x 1	21	WASHER- Flat (5/16)	84008-1	x	x	x	1
	Includes:					22	WASHER- Lock (5/16)	83002	x	x	x	1
3	DECAL- Homelite	98802	x	x	x 1	23	NUT- Hex (5/16-24)	91117	x	x	x	1
4	CAP- Fuel	A-94495	x	x	x 1	24	FAN	95720	x	x	x	1
	Includes:					25	SCREW- Pan mach (10-32 x 7/16)	82398	x	x	x	4
5	GASKET- Fuel cap	94484	x	x	x 1	26	HOUSING- Volute	A-95737	x	x		1
6	VALVE- Check	94531-1	x	x	x 1		HOUSING- Volute	A-98338			x	1
7	FILTER- Fuel cap	99454	x	x	x 1	27	WASHER- Flat (#8)	84025			x	x 1
8	CLAMP	98544	x	x	x 1		WASHER- Flat (#8)	84025	x			8
9	FILTER- Fuel	A-99923	x	x	x 1	28	GRIP- Starter	70211	x	x	x	1
	Includes:					29	ROPE- Starter	A-93876	x	x	x	1
10	ELEMENT- Felt filter	94083	x	x	x 1		Includes:					
11	CLAMP	93428	x	x	x 1	30	WASHER- Nylon	93882	x	x	x	1
12	WASHER	84182	x	x	x 1	31	HOUSING- Starter	85719	x	x	x	1
13	TUBING- Rubber	70310-60	x	x	x 1	32	SCREW- Thread forming (#10 x 5/8)	82409	x	x	x	4
14	BACKPLATE	93890	x	x	x 1	33	SPRING- Rowind	A-94918-A	x	x	x	1
15	DECAL- Instruction (warning)	98160			x 1	34	PULLEY- Starter	94383-A	x	x	x	1
18	LEAD- Electrical (w/terminal)	A-95784	x	x	x 1	35	LEVER- Ratchet	94605	x	x	x	1
	LEAD- Electrical (w/terminal)	A-98388			x 1	36	RATCHET- Starter	95803	x	x	x	1
17	HOUSING- Volute	95717	x	x	x 1	37	WASHER- Flat	95208	x	x	x	1
	HOUSING- Volute	95717-1			x 1	38	SCREW- Hex sets					
18	WASHER- Flat #10	84008-1	x	x	x 1		(#10-24 x 3/4)	88051	x	x	x	2
						39	SHROUD	85746	x	x	x	1

ALWAYS FURNISH MODEL AND SERIAL NUMBER WHEN ORDERING PARTS.

HB-280 BLOWER

FIGURE 3



ALWAYS FURNISH MODEL AND SERIAL NUMBER WHEN ORDERING PARTS.

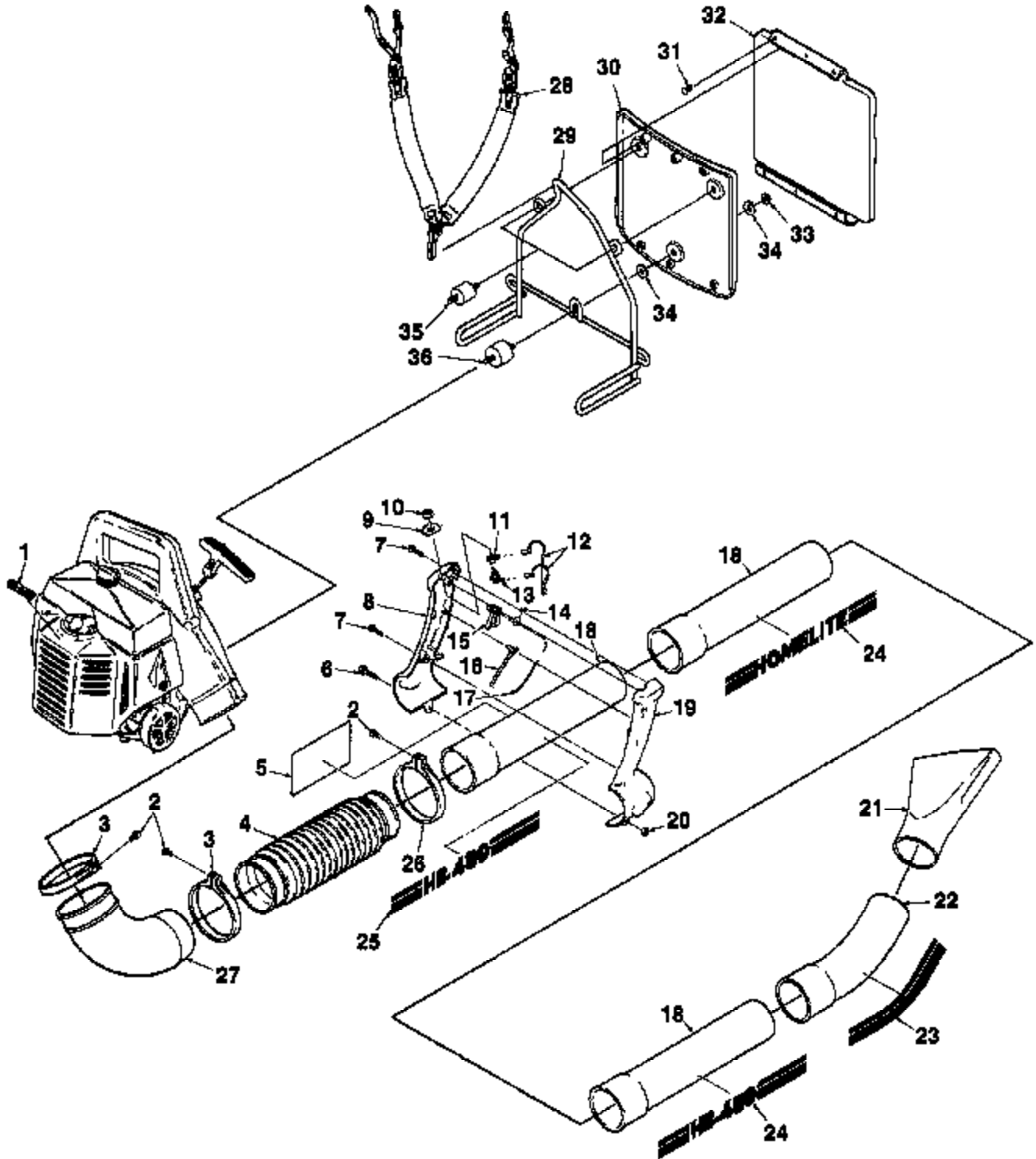
HB-280 BLOWER

NO.	DESCRIPTION	PART NO.	QTY.	NO.	DESCRIPTION	PART NO.	QTY.
1	DECAL- (HB-280 small)	98740	1	17	BELLOW- Plastic	95790	1
2	STRAP- Shoulder	95337-A	1	18	CLAMP	95785	1
3	BOLT- Closed eye	98389	1	19	STAND- Wire	98183	1
4	WASHER- Flat (#10)	84008	2	20	WASHER- Flat (#8)	84025	3
5	NUT- Lock hex (10-24)	81256	2	21	SCREW- Sems hex hd., (8-32 x 1.25)	88045	2
6	DECAL- Homelite	98498	1	22	SCREW- Thread forming (plastic #10 x .750)	70771	11
7	TUBING- Plastic (14")	95738	1	23	CABLE- Throttle	86335	1
8	SCREW- Pan hd. (10-24 x 1/2)	80672	1	24	SPRING- Torsion	86756	1
9	HANDLE- Guide	A-96231	1	26	TRIGGER	84452	1
10	CLAMP- Guide rod	88383	1	28	NUT- Toggle switch	72084-A1	1
11	TUBING- Plastic (10") (Curved)	95731	1	27	PLATE- Indicating	86231	1
12	NOZZLE- Sweeper	96828	1	28	WASHER- Grounding	95611-A	1
13	DECAL	98498	1	29	LEAD- Electrical	A-95385	1
14	DECAL (HB-280)	98741	1	30	SWITCH- Toggle	93853	1
15	SCREW- Oval hd. (10-24 x 1 1/4)	80460	4	31	DECAL - Instruction	88150	1
16	CLAMP	95786	1				

ALWAYS FURNISH MODEL AND SERIAL NUMBER WHEN ORDERING PARTS.

HB-480 BACK-PACK BLOWER

FIGURE 4



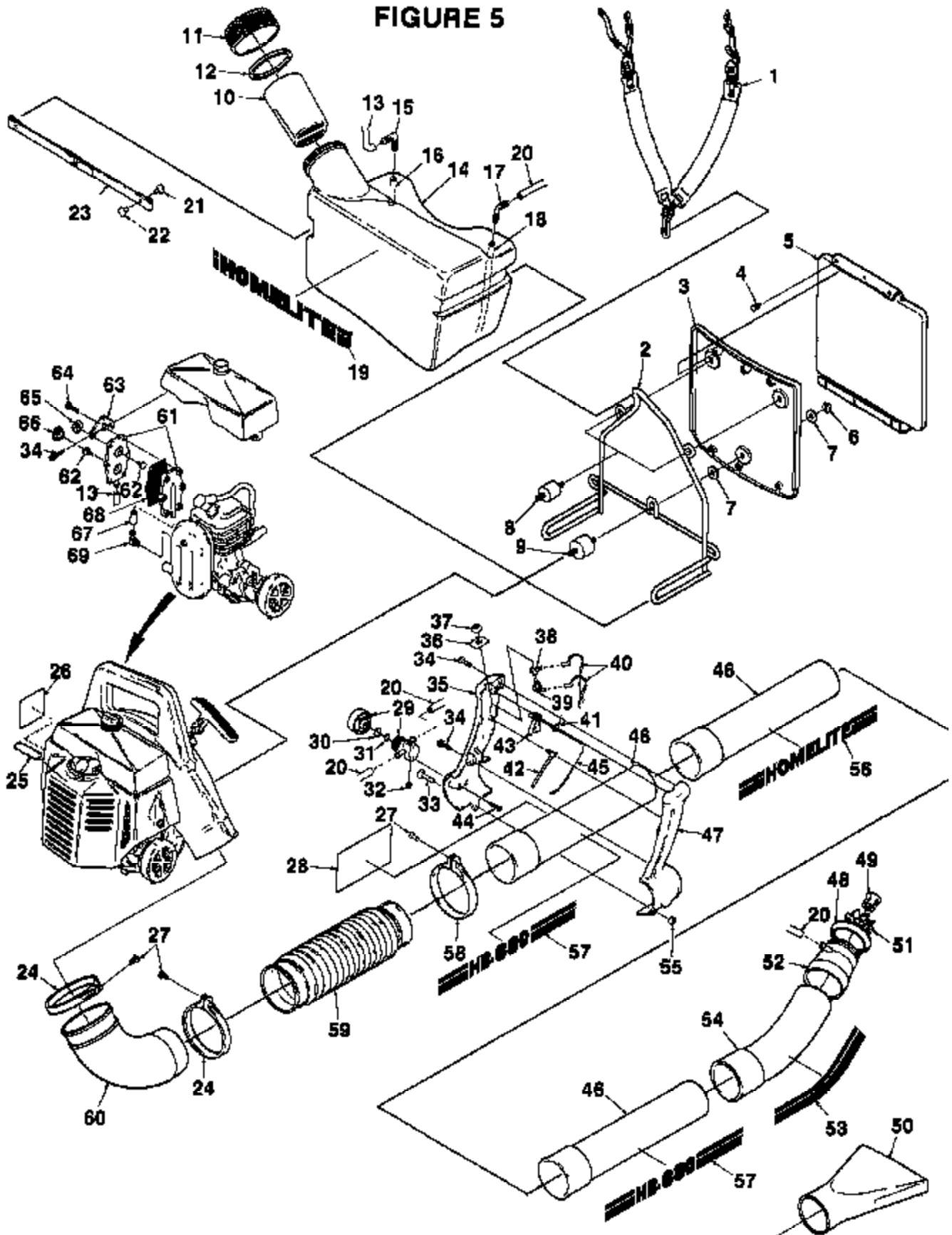
ALWAYS FURNISH MODEL AND SERIAL NUMBER WHEN ORDERING PARTS.

HB-480 BACK-PACK BLOWER

NO.	DESCRIPTION	PART NO.	QTY.	NO.	DESCRIPTION	PART NO.	QTY.
1	DECAL- (HB-480)	88739	1	18	TUBING- Plastic (14")	85736	2
2	SCREW- Oval hd (10-24 x 1 1/4)	80460	8	19	HANDLE- Control (right)	85723	1
3	CLAMP	85786	2	20	NUT- Hex (10-24 x 3/8)	81082	1
4	BELLOW- Plastic	85790	1	21	SWEEPER- Nozzle	88329	1
5	DECAL- Instruction (warning)	88148	1	22	TUBING- Plastic (10")	85731	1
6	BOLT- Rib neck rd. hd (10-28 x 7/8)	82875	1	23	DECAL	86488	1
7	SCREW- Thread forming (plastic #10 x 750)	70771	17	24	DECAL- Homelite	88498	1
8	HANDLE- Control- left	85724-1	1	25	DECAL- (HB-480)	85738	2
9	PLATE- Indicating	86231	1	26	CLAMP	85785	1
10	NUT- Toggle switch	72084-A1	1	27	ELBOW- Plastic	85791	1
11	WASHER- Grounding	85782	1	28	HARNES- Shoulder	88158	1
12	LEAD- Electrical (w/terminal)	A-85784	1	29	FRAME- Wire	88160	1
13	SW(TCH- Toggle	83853	1	30	BACKREST- Plastic	88157	1
14	SPRING- torsion	85875-2	1	31	CLIP- Push	86383	8
15	TRIGGER	84452	1	32	PAD- Backrest	88159	1
16	LATCH- Trigger	86906	1	33	NUT- Hex (5/16-18)	81243	3
17	CABLE- Throttle	83806-A	1	34	WASHER- Flat	86381	8
				35	MOUNT- Vibration isolation	86382	2
				36	ISOLATOR- Vibration	46948-A	1

ALWAYS FURNISH MODEL AND SERIAL NUMBER WHEN ORDERING PARTS.

FIGURE 5



ALWAYS FURNISH MODEL AND SERIAL NUMBER WHEN ORDERING PARTS.

HB-680 BACK-PACK MISTER/BLOWER

NO.	DESCRIPTION	PART NO.	QTY.	NO.	DESCRIPTION	PART NO.	QTY.
1	HARNES- Shoulder	96168	1	35	HANDLE- Control left	95724-1	1
2	FRAME- Wire	96160	1	36	PLATE- Indicating	96231	1
3	BACKREST- Plastic	96157	1	37	NUT- Toggle switch	72084-A1	1
4	CLIP- Push	96383	8	38	WASHER- Grounding	95782	1
5	PAD- Backrest	96159	1	39	SWITCH- Toggle	93653	1
6	NUT- Hex (5/16-18)	81243	3	40	LEAD- Electrical (w/terminal)	A-95764	1
7	WASHER- Flat	96381	8	41	SPRING- Torsion	65375-2	1
8	MOUNT- Vibration isolation	96382	1	42	LATCH- Trigger	96908	1
9	ISOLATOR- Vibration	48948-A	1	43	TRIGGER	94452	1
10	STRAINER- Fluid tank	95771	1	44	SCREW- Rd mach (6-32 x 7/16)	80831	2
11	CAP- Fluid tank	A-95775	1	45	CABLE- Throttle	93806-A	1
	Includes			46	TUBING- Plastic (1/4")	95738	2
12	GASKET- Cap	96920	1	47	HANDLE- Control-right	96723	1
13	TUBING- Plastic (8")	96922	1	48	DIFFUSER- Nozzle	95804	1
14	TANK- Fluid	A-95744	1	49	HEAD- Spray	95805	1
	Includes			50	SWEEPER- Nozzle	96329	1
15	FITTING- Elbow	96392	1	51	VANE- Diffuser	95801	1
16	TUBING- Plastic	96921	1	52	NOZZLE- Sprayer	95779	1
17	FITTING- Elbow	96391	1	53	DECAL	96498	1
18	TUBING- Plastic	95761	1	54	TUBING- Plastic (#10) (curved)	85731	1
19	DECAL- Homelite	96498	1	55	NUT- Hex (10-24 x 3/8)	81092	1
20	TUBING- Plastic (28")	95760	2	56	DECAL- Homelite	96498	1
21	RIVET- Button top	96809	2	57	DECAL (HB-680)	96736	2
22	RIVET- Button base	96610	2	58	CLAMP	95785	1
23	STRAP- Tank retaining	96923	1	59	BELLOW- Plastic	96790	1
24	CLAMP	95788	2	60	ELBOW- Plastic	96791	1
25	DECAL (HB-680)	96737	1	61	PUMP- Air	A-96770	1
26	DECAL- Warning	96778	1		Includes		
27	SCREW- Oval hd (10-24 x 1 1/4)	80460	3	62	VALVE- Umbrella	95758	2
28	DECAL- Instruction	96143	1	63	BRACKET- Pump mount	95788	1
29	VALVE- Fluid control	A-95768	1	64	SCREW- Thread forming (10 x 5/8)	82408	8
	Includes			65	ELEMENT- Pump filter	95787	1
30	"O" RING	95743	1	66	PLUG	95789	1
31	"O" RING	95781	1		TUBING- Plastic (see item #13)	96922	1
32	NUT- Hex (6-32)	81238	5	67	TUBING- Plastic	96921	1
33	BOLT- Rib neck rd hd (10-23 x 7/8)	82376	1	68	DIAPHRAGM- Pump	95788	1
34	SCREW- Thread forming (plastic #10 x 7/6)	70771	17	69	FITTING- Tube	95783	1

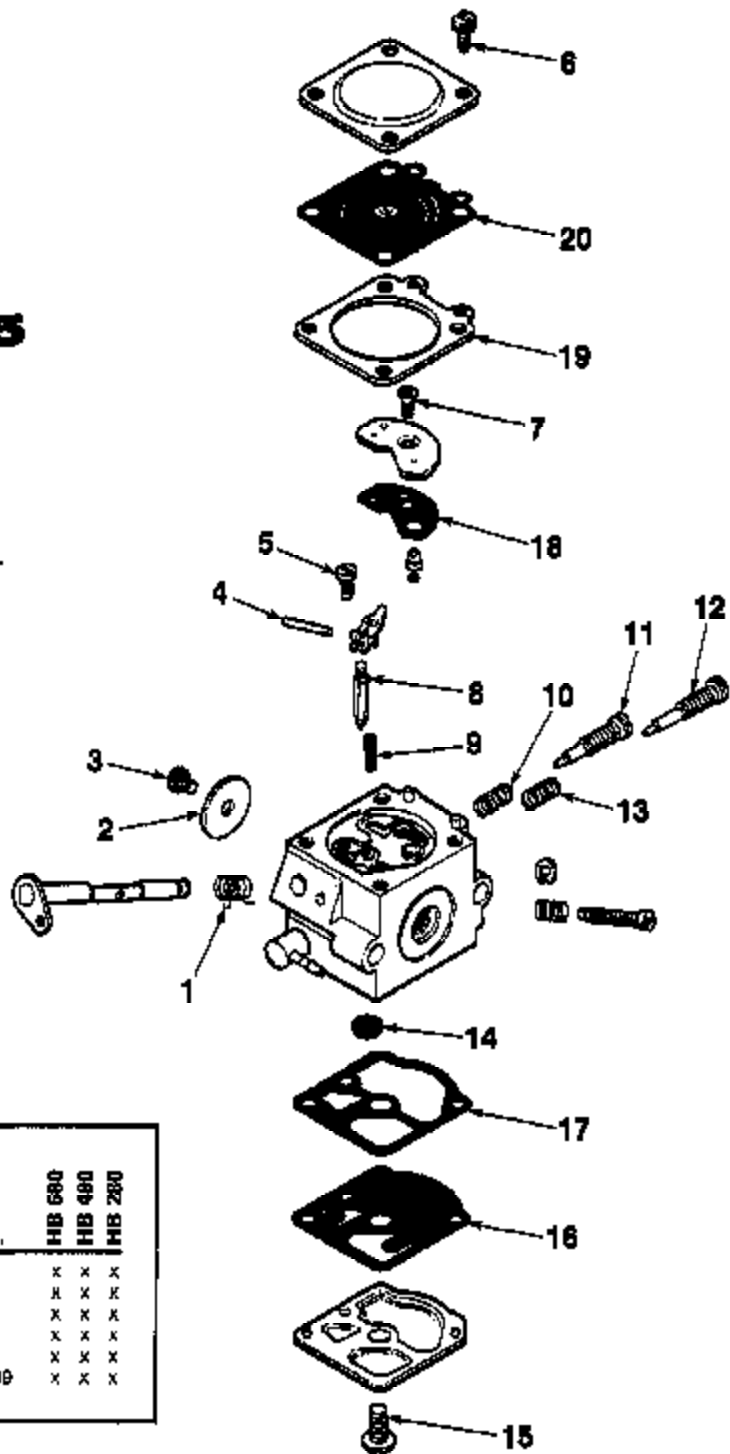
ALWAYS FURNISH MODEL AND SERIAL NUMBER WHEN ORDERING PARTS.

FIGURE 6

**CARBURETOR
A-95736**

WALBRO WA-95

DESCRIPTION	PART NO.
GASKET/DIAPHRAGM KIT (18-20)	88988
OEM REPAIR KIT (1-20)	88989



TOOLS AND ACCESSORIES

DESCRIPTION	PART NO.	HB 680	HB 490	HB 280
WRENCH- Combination	A-24284	x	x	x
GAGE- Feeler (.012)	24306	x	x	x
SCREWDRIVER	24541	x	x	x
SILASTIC	24823	x	x	x
ROPE- Starting (250' reel #4)	88948	x	x	x
TUBING- Rubber	70310-99	x	x	x

HOMELITE DIVISION OF TEXTRON INC.
 14401 CAROWINDS BOULEVARD
 P.O. BOX 7047, CHARLOTTE, NORTH CAROLINA 28217

HOMELITE TEXTRON

Homelite Division of Textron Inc.