

PART NO. 17785
Printed in U.S.A.
Price 35c

HOMELITE™
JACOBSEN

PARTS LIST



**HOMELITE
BLOWER**
Model HB-280
(UT-08005)

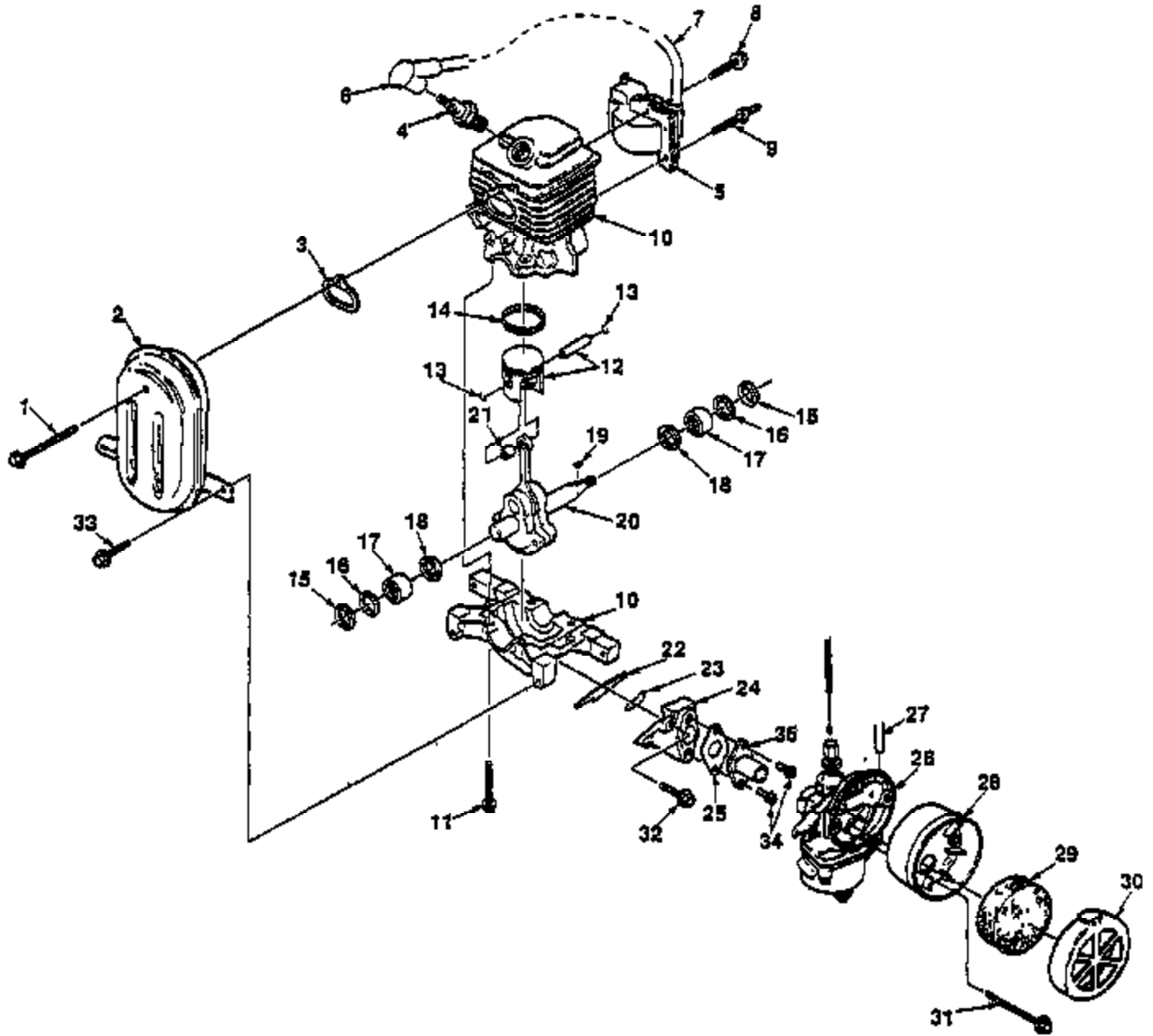


**HOMELITE
BLOWER**
Model HB-480
(UT-08004)



**HOMELITE
MISTER/
BLOWER**
Model HB-680
(UT-08003)

FIGURE 1

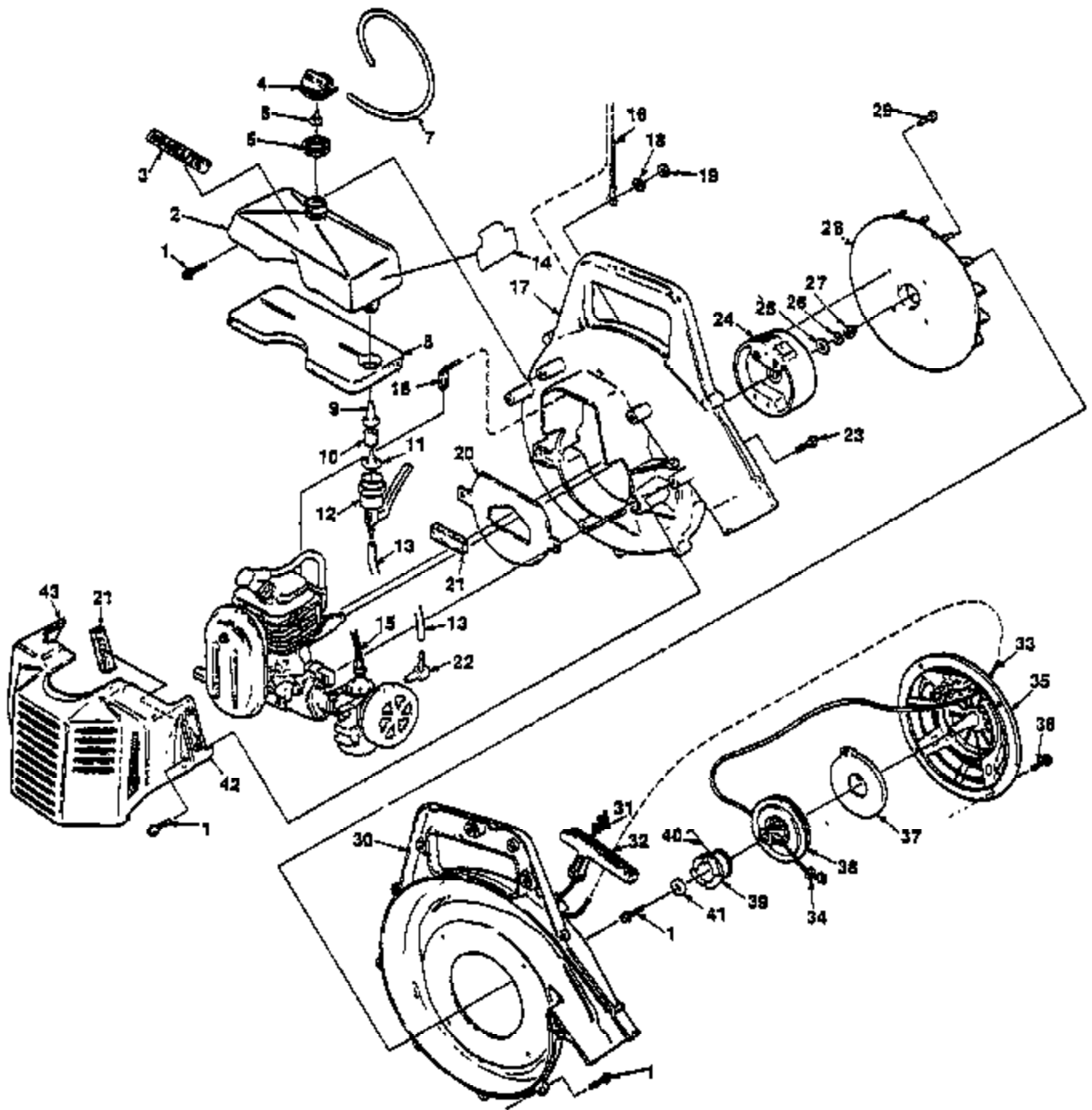


ALWAYS FURNISH MODEL AND SERIAL NUMBER WHEN ORDERING PARTS.

NO.	DESCRIPTION	PART NO.	HB-480			QTY.	NO.	DESCRIPTION	PART NO.	HB-480			QTY.
			HB-480	HB-480	HB-280					HB-480	HB-480	HB-280	
1	SCREW- Hex same (10-24 x 2)	88057	x	x	x	1	16	SPACER- Seal	88514	x	x	x	2
2	MUFFLER	A-95757-1B	x	x	x	1	17	BEARING- Needle	12530	x	x	x	2
3	GASKET- Muffler	83801	x	x	x	1	18	WASHER	85482	x	x	x	2
4	SPARK PLUG (OJ-7Y)	98169	x	x	x	1	19	KEY- Magneto	88250	x	x	x	1
5	MODULE- Ignition	84711	x	x	x	1	20	CRANKSHAFT & ROD CRANKSHAFT & ROD	A-97365 A-97510	x	x	x	1
	Includes:							Includes:					
6	TERMINAL	A-33059	x	x	x	1	21	BEARING	96439	x	x	x	1
7	LEAD- High tension	65825	x	x	x	1	22	GASKET- Housing	87080	x	x	x	1
8	SCREW- Hex washer (8-32 x 3/4)	82248	x	x	x	1	23	REED	95882	x	x	x	1
9	STAND-OFF	95735	x	x	x	1	24	SPACER- Carburetor	94454-A	x	x	x	1
10	CRANKCASE & CYLINDER	A-97759	x			1	25	GASKET- Manifold	97138	x	x	x	1
	CRANKCASE & CYLINDER	A-97758		x		1	26	CARBURETOR	A-97154-A	x	x	x	1
	CRANKCASE & CYLINDER (Includes Ref. #11)	A-97629-2A			x	1	27	TUBING- Rubber	94772-1A	x	x	x	1
11	SCREW- Sems hex hd. (8-32 x 1)	88044	x	x	x	4	28	HOUSING- Air filter	95016	x	x	x	1
12	PISTON & PIN	A-97722	x	x		1	29	ELEMENT- Air filter	98748	x	x	x	1
	Includes:						30	COVER- Air filter	95017	x	x	x	1
13	RING- Piston pin retaining	65281	x	x		2	31	SCREW- Hex 8-32 x .375	88041	x	x	x	2
14	PISTON RING	70205	x	x		1	32	SCREW- 10-24 x .312	83834	x	x	x	2
	PISTON & PIN	A-97721			x	1	33	SCREW- Hex same (#10-24 x 3/4)	88051	x	x	x	2
	Includes:						34	SCREW	82447	x	x	x	2
	RING- Piston pin retaining (See index #13)	65281			x	2	35	ADAPTOR- Carburetor	98044-1	x	x	x	1
	PISTON RING (See index #14)	98835			x	1							
15	SEAL- Shaft	94839	x	x	x	2							

ALWAYS FURNISH MODEL AND SERIAL NUMBER WHEN ORDERING PARTS.

FIGURE 2



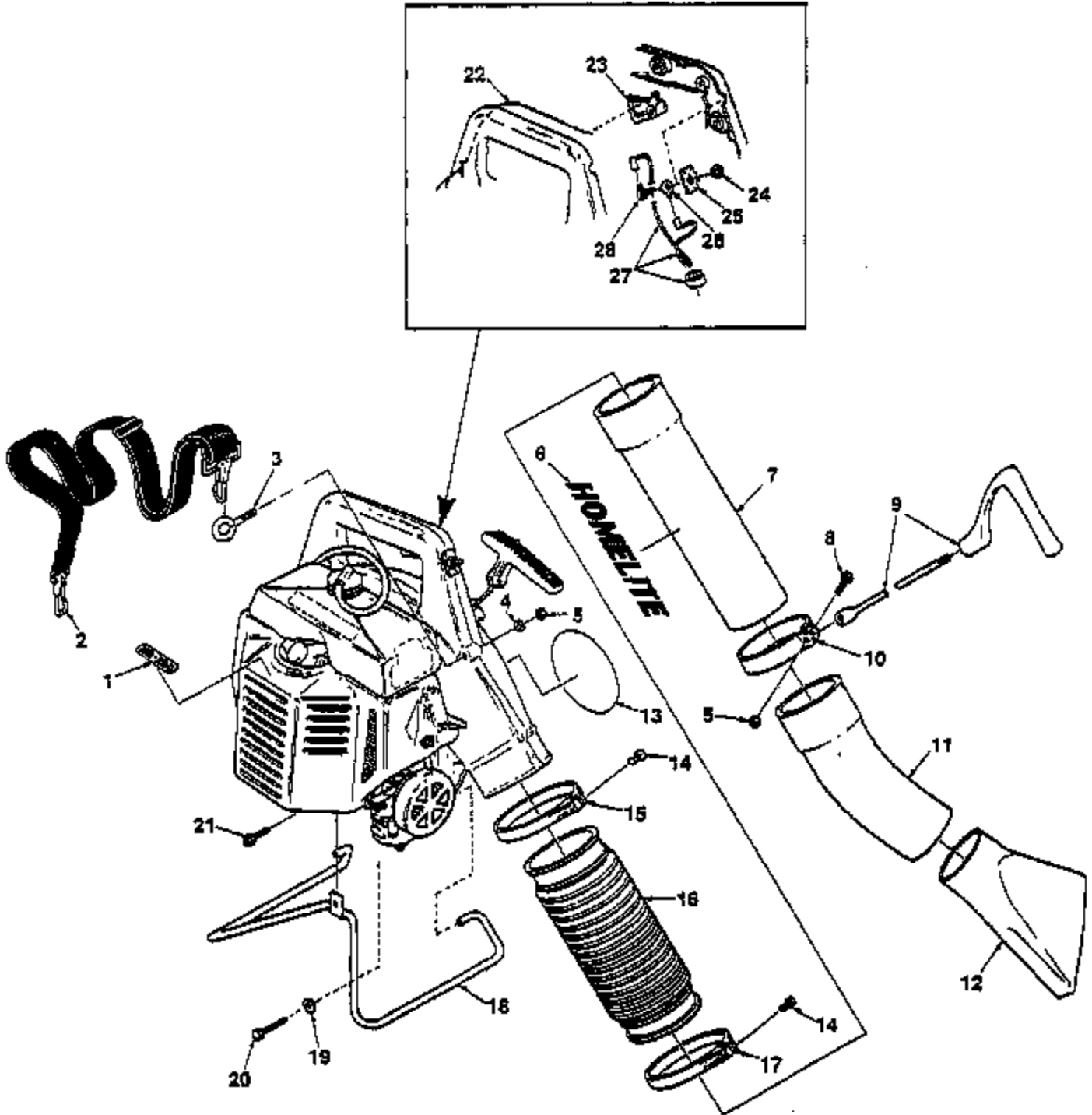
ALWAYS FURNISH MODEL AND SERIAL NUMBER WHEN ORDERING PARTS.

NO.	DESCRIPTION	PART NO.	HB-860			NO.	DESCRIPTION	PART NO.	HB-860				
			HB-480	HB-289	QTY.				HB-860	HB-480	HB-289	QTY.	
1	SCREW- Thread forming (plastic #10 x .750)	70771	x	x	18	22	FITTING- Tube	70204	x	x	x	1	
	SCREW- Thread forming (plastic #10 x .750)	70771			x	11	23	SCREW- Hex same (#10-24 x 3/4)	86051	x	x	x	2
2	TANK- Fuel	95739-3	x	x	x	1	24	ROTOR- Magneto	85733	x	x	x	1
3	DECAL- Homelite	96502	x	x	x	1	25	WASHER- Flat 5/16	84065	x	x	x	1
4	CAP- Fuel Includes:	A-97525	x	x	x	1	26	WASHER- Lock (5/16)	83002	x	x	x	1
5	GASKEY- Fuel cap	84484	x	x	x	1	27	NUT- Hex (5/16-24)	81117	x	x	x	1
6	VALVE- Check	94831-1	x	x	x	1	28	FAN	85720-1A	x	x	x	1
7	TUBING- Rubber	70310-72	x	x	x	1	29	SCREW- Pan mach. hd. (10-32 x 7/16)	82386	x	x	x	4
8	PAD- Foam	97827	x	x	x	1	30	HOUSING- Volute	A-85737	x	x	x	1
9	FILTER- Fuel	97678	x	x	x	1		HOUSING- Volute	A-86336			x	1
10	SPACER- Rubber	97876	x	x	x	1	31	WASHER- Flat (#8)	84025		x	x	1
11	FITTING- Fuel	98008	x	x	x	1		WASHER- Flat (#8)	84025	x			3
12	VALVE- Fuel line	A-97118	x	x	x	1	32	GRIP- Starter	70211	x	x	x	1
13	TUBING- Rubber	84772-14	x	x	x	1	33	ROPE- Starter Includes:	A-93876	x	x	x	1
14	DECAL- Instruction	96190			x	1	34	WASHER- Nylon	93882	x	x	x	1
15	CABLE- Throttle	86018-A			x	1	35	HOUSING- Starter	96719	x	x	x	1
	CABLE- Throttle	86014-A	x	x		1	36	SCREW- Thread forming (#10 x 5/8)	82409	x	x	x	4
16	LEAD- Electrical (w/terminal)	A-85784	x	x		1	37	SPRING- Rewind	A-94918-A	x	x	x	1
	LEAD- Electrical (w/terminal)	A-86388			x	1	38	PULLEY- Starter	94383-A	x	x	x	1
17	HOUSING- Volute	95717-A	x	x		1	39	RATCHET- Starter	95803	x	x	x	1
	HOUSING- Volute	95717-1A			x	1	40	LEVER- Ratchet	94506-A	x	x	x	1
18	WASHER- Flat	84003	x	x	x	1	41	WASHER- Flat	95208	x	x	x	1
19	NUT- Hex canterlock (10-24)	81208	x	x	x	1	42	DECAL- Fuel (on & off)	97399	x	x	x	1
20	BACKPLATE	95990-A	x	x	x	1	43	SHROUD	95748-B	x	x	x	1
21	FILTER- Fuel tank & valve	56443	x	x	x	2							

ALWAYS FURNISH MODEL AND SERIAL NUMBER WHEN ORDERING PARTS.

HB-280 BLOWER

FIGURE 3



ALWAYS FURNISH MODEL AND SERIAL NUMBER WHEN ORDERING PARTS.

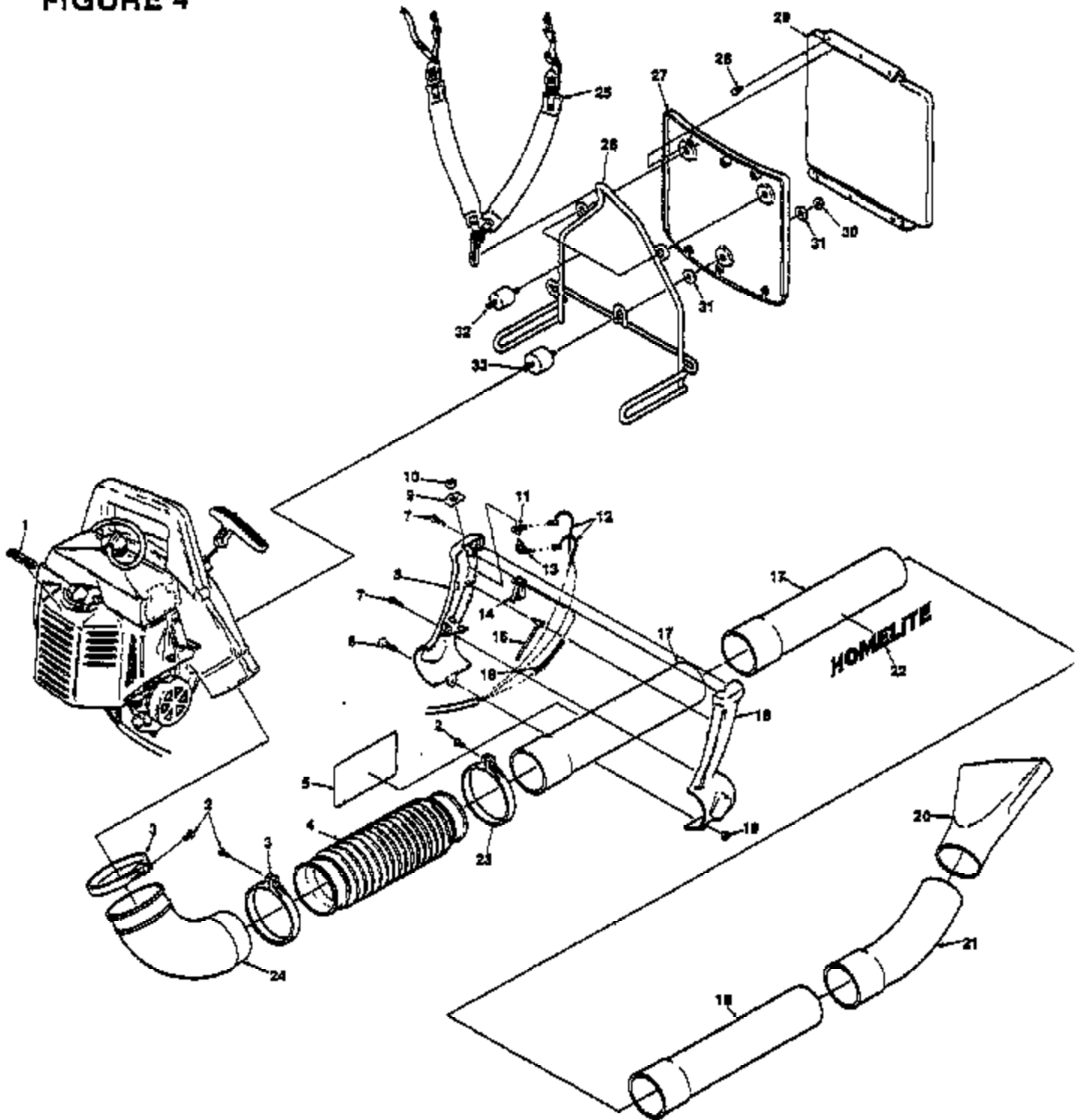
HB-280 BLOWER

NO.	DESCRIPTION	PART NO.	QTY.	NO.	DESCRIPTION	PART NO.	QTY.
1	DECAL- (HB-280 small)	98740	1	16	BELLOW- Plastic	98790	1
2	STRAP- Shoulder	98337-A	1	17	CLAMP	98786	1
3	BOLT- Closed eye	96386	2	18	STAND- Wire	96183	1
4	WASHER- Flat (#10)	84006	2	19	WASHER- Flat (#6)	84025	3
5	NUT- Lock hex (10-24)	81256	2	20	SCREW- Semi hex hd. (8-32 x 1.25)	88045	2
6	DECAL- Homefile	97576	1	21	SCREW- Thread forming (plastic #10 x .750)	70771	11
7	TUBING- Plastic (14")	95736	1	22	CABLE- Throttle	95018-A	1
8	SCREW- Pan hd. (10-24 x 1/2)	80572	1	23	TRIGGER	94482	1
9	HANDLE- Guide	A-96331	1	24	NUT- Toggle switch	72084-A1	1
10	CLAMP- Guide rod	96383	1	25	PLATE- Inducting	95231	1
11	TUBING- Plastic (10" curved)	95731	1	26	WASHER- Grounding	95811-A	1
12	NOZZLE- Sweeper	96329	1	27	LEAD- Electrical	A-98388	1
13	DECAL (HB-280)	98741	1	28	SWITCH- Toggle	93653	1
14	SCREW- Oval hd. (10-24 x 1 1/4)	80450	4				
15	CLAMP	95788	1				

ALWAYS FURNISH MODEL AND SERIAL NUMBER WHEN ORDERING PARTS.

HB-480 BACK-PACK BLOWER

FIGURE 4



ALWAYS FURNISH MODEL AND SERIAL NUMBER WHEN ORDERING PARTS.

HB-480 BACK-PACK BLOWER

NO.	DESCRIPTION	PART NO.	QTY.	NO.	DESCRIPTION	PART NO.	QTY.
1	DECAL- (HB-480)	98739	1	17	TUBING- Plastic (14")	95738	2
2	SCREW- Oval hd. (10-24 x 1 1/4)	80480	3	18	HANDLE- Control (right)	95723	1
3	CLAMP	95788	2	19	NUT- Hex (10-24 x 3/8)	91092	1
4	BELLOW- Plastic	95790	1	20	SWEEPER- Nozzle	96329	1
5	DECAL- (instruction (warning)	96148	1	21	TUBING- Plastic (10')	96731	1
6	BOLT- Rib neck rd. hd. (10-23 x 7/8)	82378	1	22	DECAL- Homeite	97578	1
7	SCREW- Thread forming (plastic #10 x .750)	70771	2	23	CLAMP	95788	1
8	HANDLE- Control left	95724-1	1	24	ELBOW- Plastic	96791	1
9	PLATE- Indicating	95291	1	25	HARNESS- Shoulder	96166	1
10	NUT- Toggle switch	72084-A1	1	26	FRAME- Wire	96160	1
11	WASHER- Grounding	96782	1	27	BACKREST- Plastic	96167	1
12	LEAD- Electrical (w/terminal)	A-96784	1	28	CLIP- Push	96383	6
13	SWITCH- Toggle	93563	1	29	PAD- Backrest	96168	1
14	TRIGGER	94452	1	30	NUT- Hex (5/16-18)	91243	3
15	LATCH- Trigger	95908	1	31	WASHER- Flat	96391	6
16	CABLE- Throttle	95014-A	1	32	MOUNT- Vibration isolation	96392	2
				33	ISOLATOR- Vibration	46948-A	1

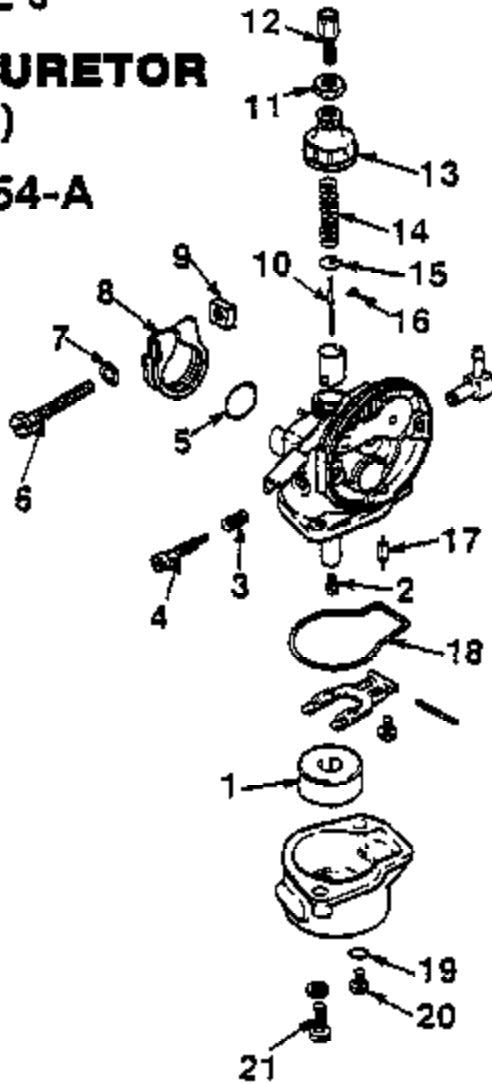
ALWAYS FURNISH MODEL AND SERIAL NUMBER WHEN ORDERING PARTS.

HB-680 BACK-PACK MISTER/BLOWER

NO.	DESCRIPTION	PART NO.	QTY.	NO.	DESCRIPTION	PART NO.	QTY.
1	HARNES- Shoulder	96156	1	34	SCREW- Thread forming (plastic #10 x 750)	70771	17
2	FRAME- Wire	96150	1	35	HANDLE- Control left	95724-1	1
3	BACKREST- Plastic	96157	1	36	PLATE- Indicating	95231	1
4	CLIP- Push	96353	6	37	NUT- Toggle switch	72054-A1	1
5	PAD- Backrest	96159	1	38	WASHER- Grounding	95782	1
6	NUT- Hex (5/16-18)	81243	3	39	SWITCH- Toggle	96953	1
7	WASHER- Flat	96351	6	40	LEAD- Electrical (w/terminal)	A-95784	1
8	MOUNT- Vibration isolation	96382	1	41	LATCH- Trigger	95906	1
9	ISOLATOR- Vibration	48946-A	1	42	TRIGGER	94452	1
10	STRAINER- Fluid tank	96771	1	43	SCREW- Rd. mach (5-32 x 7/16)	80831	2
11	CAP- Fluid tank	A-95775	1	44	CABLE- Throttle	95014-A	1
	Includes:			45	TUBING- Plastic (1/4")	95735	2
12	GASKET- Cap	96920	1	46	HANDLE- Control-right	95723	1
13	TUBING- Plastic (3")	96922	1	47	DIFFUSER- Nozzle	95804	1
14	TANK- Fluid	A-97691	1	48	HEAD- Spray	95805-A	1
	Includes:			49	SWEEPER- Nozzle	96329	1
15	FITTING- Elbow	96392	1	50	VANE- Diffuser	95801	1
16	TUBING- Plastic	96921	1	51	NOZZLE- Sprayer	95779	1
17	FITTING- Elbow	96391	1	52	TUBING- Plastic (#10) (curved)	95731	1
18	TUBING- Plastic	95751	1	53	NUT- Hex (10-24 x 3/8)	81092	1
19	TUBING- Plastic (28")	95750	2	54	DECAL- Homelite	97578	1
20	RIVET- Button top	96609	2	55	CLAMP	95785	1
21	RIVET- Button base	96610	2	56	BELLOW- Plastic	95790	1
22	STRAP- Tank retaining	96923	1	57	ELBOW- Plastic	95791	1
23	CLAMP	95786	2	58	PUMP- Air	A-95770	1
24	DECAL (HB-680)	96737	1		Includes:		
25	DECAL- Warning	96779	1	59	VALVE- Umbrella	96756	2
26	SCREW- Oval hd. (10-24 x 1 1/4)	80460	3	60	BRACKET- Pump mount	95788-A	1
27	DECAL- Instruction	98143	1	61	SCREW- Thread forming, (10 x 5/8)	82409	8
28	VALVE- Fluid control	A-95786-A	1	62	ELEMENT- Pump filter	95797	1
	Includes:			63	TUBING- Plastic	96921	1
29	"O" RING	95740	1	64	DIAPHRAGM- Pump	95759	1
30	"O" RING	95781	1	65	FITTING- Tube	95783-A	1
31	TUBING- Rubber	93157-02	1				
32	NUT- Hex (8-32)	81238	5				
33	BOLT- Rib neck rd. hd. (10-23 x 7/8)	82375	1				

ALWAYS FURNISH MODEL AND SERIAL NUMBER WHEN ORDERING PARTS.

FIGURE 6
CARBURETOR
(Kelhin)
A-97154-A



NO.	DESCRIPTION	PART NO.	QTY.
1	FLOAT	97730	1
2	JET- Main	97729	1
3	SPRING- Coil	97807	1
4	SCREW- Stop	97810	1
5	"O" RING	97733	1
6	BOLT- Hex	97812	1
7	WASHER	97813	1
8	CLAMP- Outlet	97806	1
9	NUT- Square	97811	1
10	NEEDLE- Jet	97732	1
11	NUT- Hex	97809	1
12	ADJUSTER	97731	1
13	TOP	97808	1
14	SPRING- Coil	97735	1
15	PLATE	97740	1
16	CLIP	97734	1
17	VALVE- Float	97739	1
18	"O" RING	97717	1
19	WASHER	97737	1
20	SCREW- Pan	97739	1
21	SCREW- Pan w/washer	97739	2

HOMELITE DIVISION OF TEXTRON INC.
 14401 Carowinds Boulevard
 P.O. Box 7047
 Charlotte, North Carolina 28217

98021002

HOMELITE TEXTRON

Homelite Division of Textron Inc.