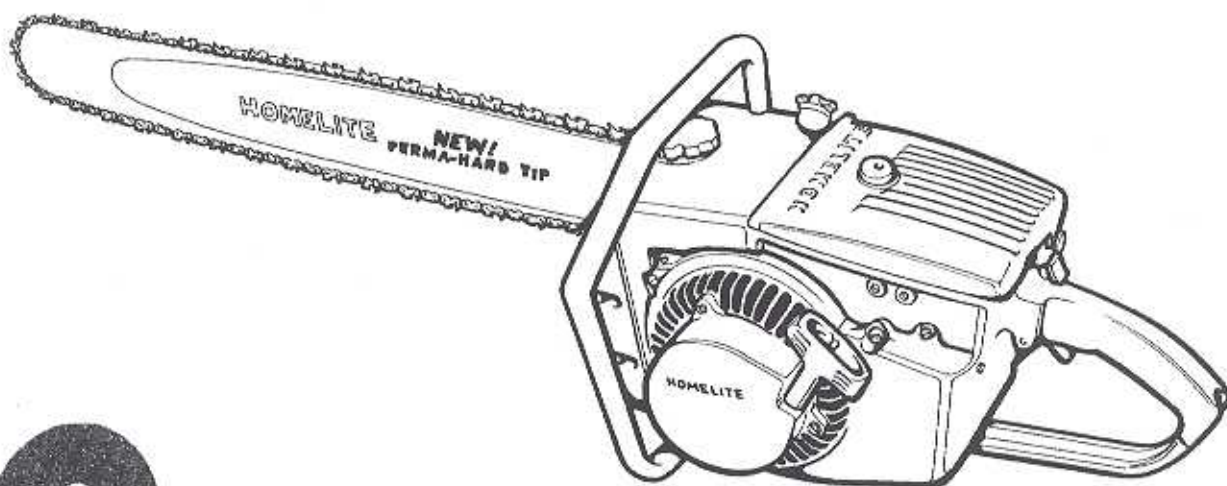


# HOMELITE

# Chain Saw



# C

## PARTS LIST

# HOMELITE C 5 CHAIN SAW

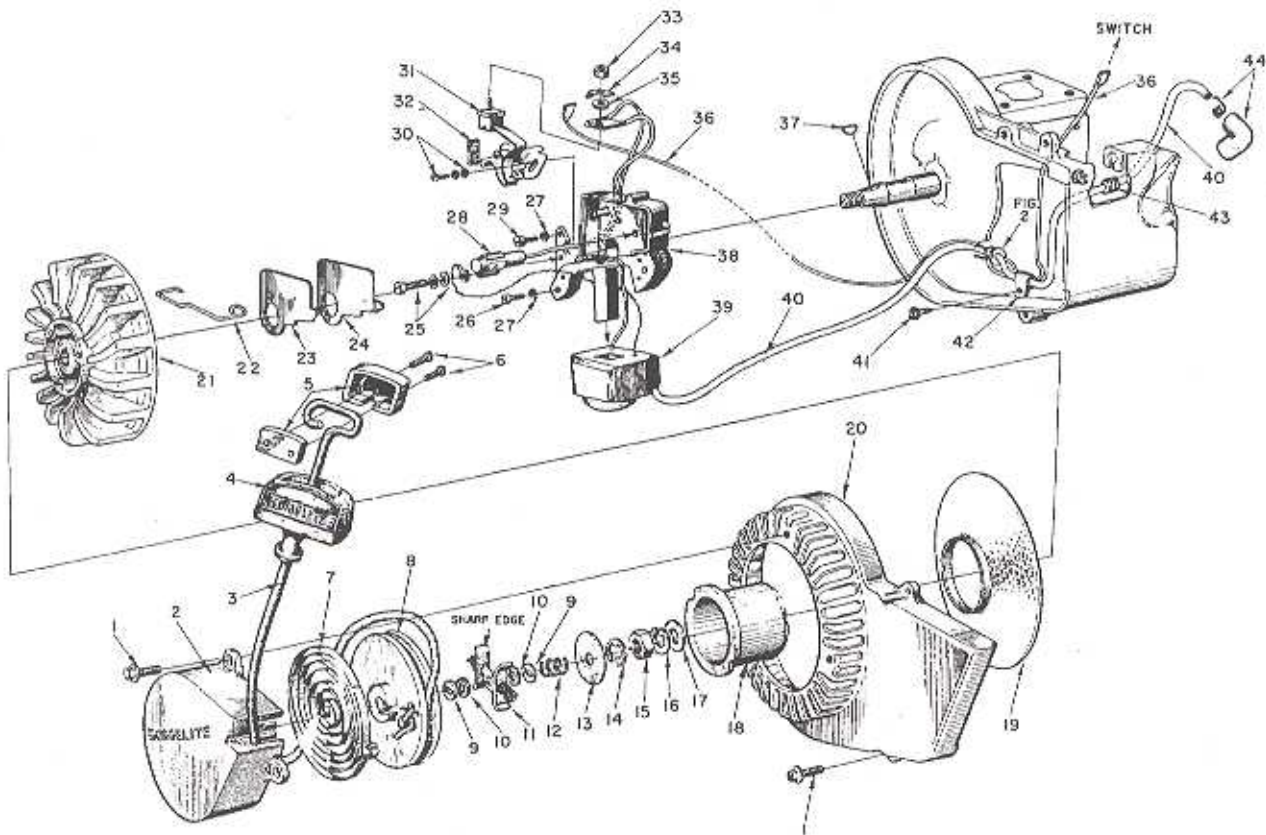


FIGURE 1

Index No.	Part No.	Description	No. Required
	58472	DECAL — Homelite, C-5	1
1	80867	SCREW — hex hd., #12-24 x 3/4	7
2	A-58502	COVER — pulley w/2 roll pins	1
3	55898	ROPE — starting	1
4	55937	GRIP — starting	1
5	A-56081	INSERT — grip w/screws	1
		Includes	
6	80619	SCREW	2
7	56451-1	SPRING — rewind	1
8	56452	PULLEY — starter	1
9	56456	WASHER — brake	2
10	56457	WASHER — fibre	2
11	A-57647	FRICTION SHOE ASSEMBLY	1
12	56455	SPRING — brake	1
13	76436	WASHER — brake retainer	1
14	90618	RING — retaining	1
15	81110	NUT — hex jam, #16-20	1
16	83019	WASHER — lock, #16	1
17	84055	WASHER — flat aluminum, #16	1
18	56441	CUP — starter	1
19	58294	SCREEN — rotary	1
20	58171	HOUSING — fan	1
21	57568-A	ROTOR	1
22	55980	CLAMP — dust cover	1

Index No.	Part No.	Description	No. Required
23	55979	COVER — dust	1
24	55978-2	GASKET — dust cover	1
25	57750	SCREW GROUP — condenser fastening	1
26	80660	SCREW — fl. hd., 10-24 x 3/8	2
27	83046	WASHER — lock, #10	3
28	55987	CONDENSER — with terminal	1
29	80595	SCREW — fl. hd., 10-24 x 1/2	1
30	57749	SCREW GROUP — point fastening	1
31	A-58165	BREAKER POINTS (set)	1
		Includes	
32	55984	WICK — felt	1
33	55982	NUT — terminal	1
34	57733	TAB — ground	1
35	55983	WASHER — terminal	1
36	A-58321	LEAD — ground w/terminals	1
37	75078	KEY — rotor	1
38	57744	BOX — breaker, w/core	1
39	55986-A	COIL — with ground terminal	1
40	58382	LEAD — high tension	1
41	80869	SCREW — hex hd., 10-24 x 3/8	1
42	56014	CLAMP — lead	1
43	60929	GROMMET	1
44	A-55373	TERMINAL — (sparky)	1

Available: — Replacement starter assembly #A-58384, composed of index #2 through #19, except #15, #16 and #17.

# HOMELITE C 5 CHAIN SAW

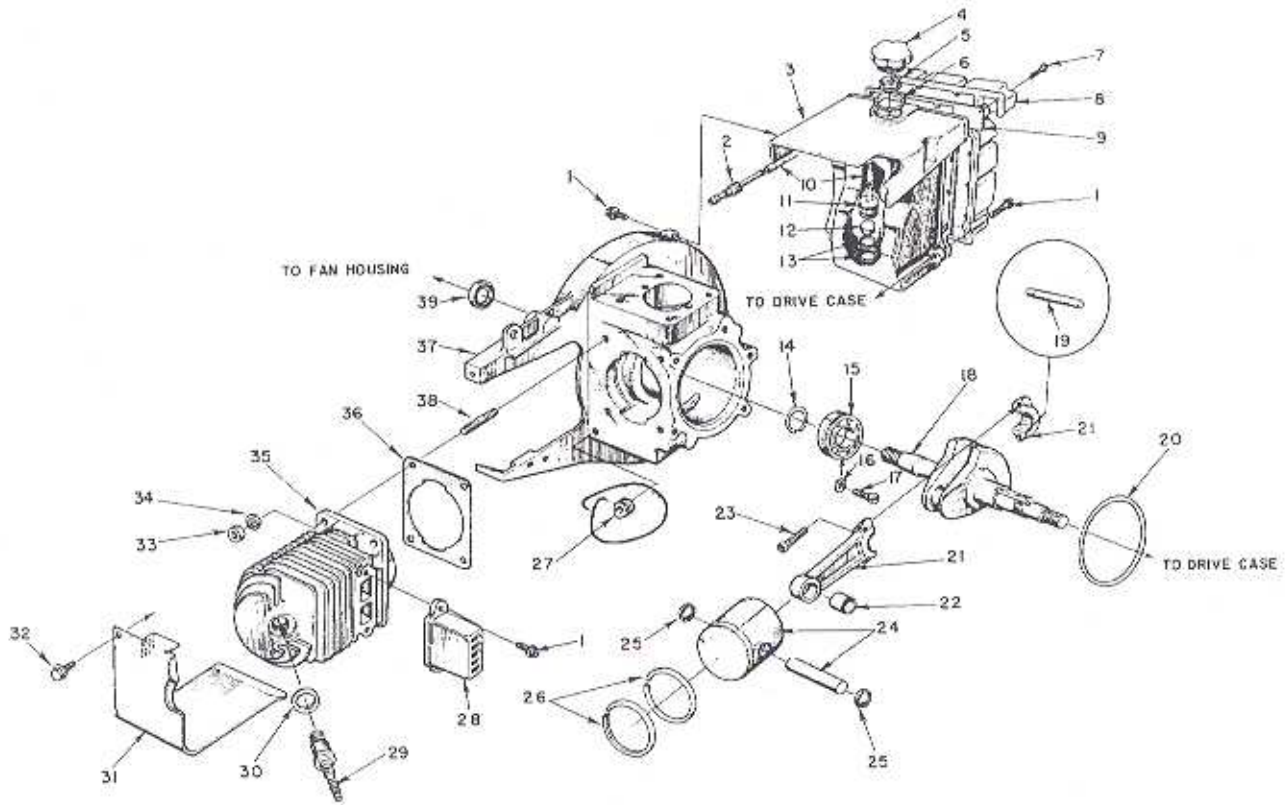


FIGURE 2

Index No.	Part No.	Description	No. Required
1	80867	SCREW — hex hd., 12-24 x 3/4	6
2	58364	FITTING — outlet (fuel line)	1
3	58172	TANK — fuel	1
4	<del>58368</del> A-58956	CAP — fuel tank	1
5	56865	VALVE — relief	1
6	58395	"O" RING	1
7	80789	SCREW — rd. hd., #6 x 1/4	15
8	58173	COVER — fuel tank	1
9	58473	DECAL — "C-5" (on cover)	1
10	58367	GASKET — tank cover	1
11	55805	SLEEVE — flexible	1
12	A-56200	STRAINER — outlet w/brass nail	1
13	74374	FILTER	1
14	56196	BUMPER	2
15	58319	RING — retaining	1
16	58190-5	BEARING — ball	1
17	83061	WASHER — lock	2
18	19238-3	SCREW — bearing retaining	2
19	58189-B	CRANK SHAFT	1
20	AA-55280	ROLLERS — set of 27	1
21	<del>58349</del>	"O" RING	1
22	AA-55195-A	CONNECTING ROD	1

Index No.	Part No.	Description	No. Required
23	55196	Includes BEARING — needle	1
24	80805	SCREW — socket hd., 8-32 x 1/8	2
25	A-58328	PISTON AND PIN	1
26	55095	Includes RING — pin retaining	2
27	55038	RING — piston	2
28	<del>58318</del>	GROMMET — lead 55290	1
29	58184	MUFFLER	1
30	40190-S	SPARK PLUG	1
31	25038	Includes GASKET	1
32	<del>68187</del>	CYLINDER SHIELD A-58906-1	1
33	58471	DECAL — "Starting Instructions"	1
34	80869	SCREW — hex hd., 10-24 x 3/8	2
35	81065-2	NUT — hex, 1/4-28	4
36	83009	WASHER — lock, 1/4	4
37	58174	CYLINDER	1
38	58292	GASKET — cylinder	1
39	A-58317 B/	CRANKCASE	1
40	55871	Includes STUD	4
41	58308	SEAL — garlock	1

**\*SPECIAL TOOLS**

Part No.	Description
AA-22560	MAGNETO ROTOR REMOVER ASSEMBLY
A-23131	CLUTCH SPIDER PULLER ASSEMBLY
23136	BODY — assembling fixture
23693	SLEEVE (for garlock seal)
22820-2	ADAPTER — bearing assembling
A-23672	JACKSCREW ASSEMBLY
23670	PLATE — shaft aligning
23233-1	GARLOCK SEAL ASSEMBLY

Part No.	Description
23139	ASSEMBLY TOOL — clutch drum bearing
23391-2	ASSEMBLY TOOL — needle bearing
23671	ASSEMBLY TOOL — drive case seal
22828	PIERS — for Tru-arc ring (piston)
23234	NEEDLE BEARING TOOL (conn. rod)
23528	WRENCH — socket screw (conn. rod)
23318	SPRAY CAN — blue paint

\*When ordered only.

22808

COMBINATION WRENCH

Always furnish saw model and serial number when ordering parts.

# HOMELITE **C 5** CHAIN SAW

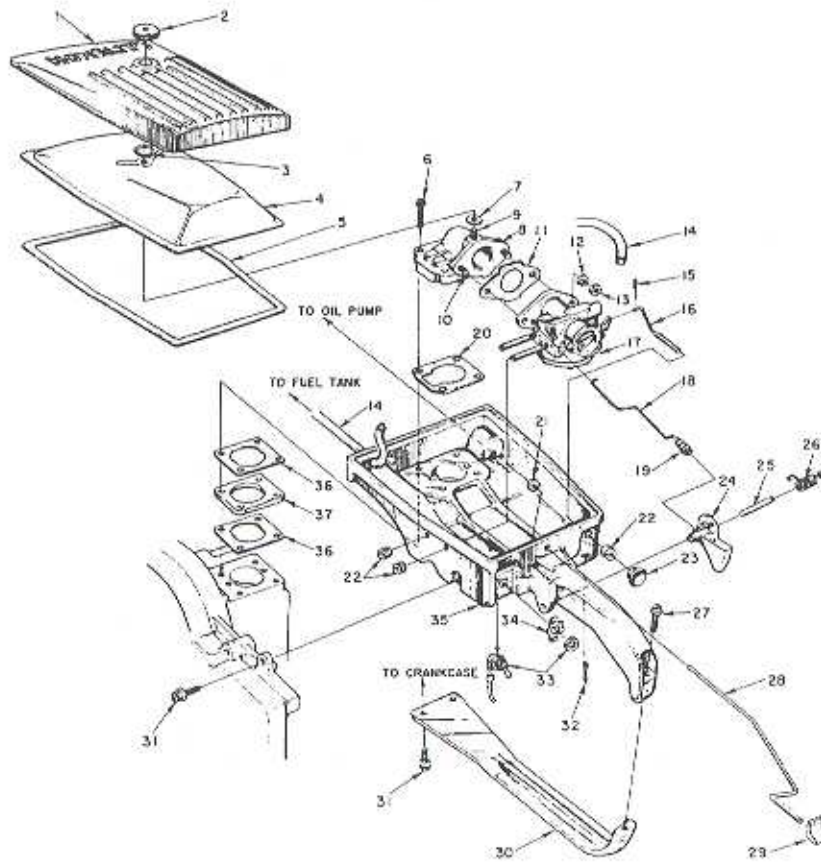


FIGURE 3

Index No.	Part No.	Description	No. Required
1	A-58372	COVER — air filter	1
		Includes	
2	58373	NUT — cover	1
3	58319	RING — retaining	1
4	58188	ELEMENT — air filter	1
5	58350	GASKET — filter element	1
6	80868	SCREW — hex hd., 12-24 x 1 1/2	4
7	58392	GASKET — mounting stud	1
8	A-58359-B	VALVE — reed (elbow)	1
		Includes	
9	58361	STUD — cover mounting	1
10	27464	STUD — carburetor mounting	2
11	55553-2	GASKET — carburetor	1
12	83009	WASHER — lock, 1/4	2
13	81013	NUT — hex, 1/4 -20	2
14	58363	LINE — fuel	1
15	86324	COTTER PIN — 1/32 x 1/2	1
16	58354	ROD — choke	1
17	*A-58360	CARBURETOR ASSEMBLY	1
	58535	REPAIR KIT — carburetor (includes Gasket Set)	1
	58534	GASKET SET — carburetor	1

Index No.	Part No.	Description	No. Required
18	58351	ROD — throttle	1
19	58348	BOOT — throttle rod	1
20	58344	GASKET — reed valve	1
21	58394	WASHER — felt (pump rod)	1
22	58362	GROMMET	3
23	57289-1	BUTTON — choke rod	1
24	58181	TRIGGER — throttle	1
25	58353	SHAFT — throttle trigger	1
26	58352	SPRING — throttle trigger	1
27	80864	SCREW — hex hd., 12-24 x 1	1
28	58356-A*	ROD — oil pump	1
29	58357	BUTTON — rod (oil pump)	1
30	58185	BRACE — throttle handle	1
31	80867	SCREW — hex hd., 12-24 x 3/4	3
32	86301	COTTER PIN — 1/16 x 1/2	1
33	A-57650-3	SWITCH — toggle w/nut	1
34	72085-A	PLATE — indicating (ON-OFF)	1
35	58179 *A58931-1	THROTTLE HANDLE — carburetor and filter housing	1
	58476	DECAL — "LO-HI"	1
36	58343	GASKET — spacer	2
37	58391	SPACER	1

\*Refer to Carburetor Parts List #23692

+ See Ser. memo # 461-C5

\* includes  
2-58929 Breakers  
1-58930 stop

copy # A59034 HOMELITE **C 5** CHAIN SAW

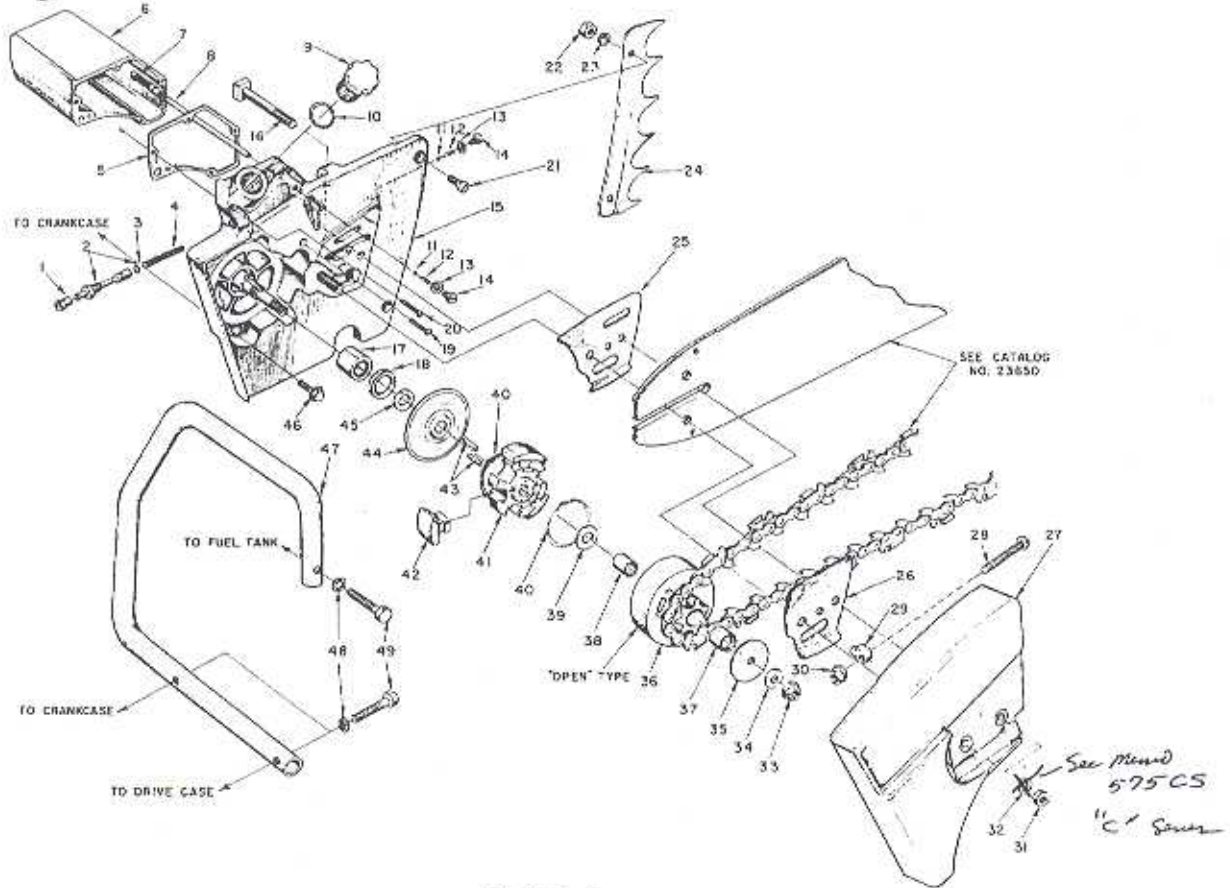


FIGURE 4

Use 58335-A 7 also

Index No.	Part No.	Description	No. Required
1	58337-A	CONNECTOR — oil pump	1
2	A-57834-5	PLUNGER — oil pump	1
3	74388	"O" RING	2
4	71762	SPRING — plunger	1
5	58342	GASKET — oil reservoir	1
6	A-58341	RESERVOIR — oil	1
7	<del>A-58340</del>	FILTER — oil <i>A59028</i>	1
8	58340-A	LINE — oil filter	1
9	A-58390	CAP — oil filler	1
10	58393	"O" RING	1
11	25527	BALL — check	2
12	55288-A	SPRING — check valve	2
13	58338	GASKET — cap	2
14	58339	CAP — check valve	2
15	A-58333-B	DRIVE CASE	1
16	58334	BOLT — guide bar	2
17	74251	BEARING — needle	1
18	56256	SEAL garlock	1
19	80790	SCREW — rd. hd., #6 x 3/4	4
20	80622	SCREW — rd. hd., #6 x 3/8	1
21	80053	SCREW — flat hd., 1/4-20 x 3/4	2
22	81053	NUT — hex, 1/4-20	2
23	83009	WASHER — lock, 1/4	2
24	58396	BUMPER — spiked (accessory)	1
25	56871-A	PLATE — guide bar (inner)	1

Index No.	Part No.	Description	No. Required
26	56872-B	PLATE — guide bar (outer)	1
27	A-58378	COVER — drive case	1
28	80617	SCREW — rd. hd., #6-18 x 2	1
29	55613	PIN — adjusting	1
30	81123	NUT — hex lock, #6-18	1
31	81089.2	NUT — hex, #6-16	2
32	83018	WASHER — lock, 3/8	2
33	81116	NUT — hex, #6-24	1
34	84010	WASHER — flat, 3/8	1
35	55163-1	WASHER — thrust	1
36	*A-57344	SPROCKET AND DRUM — 7 tooth .404 pitch (open type)	1
37	55664	BEARING — needle	1
38	55661	RACE — inner	1
39	55660-1	WASHER — thrust	1
40	55123-C	SPRING — clutch	2
41	<del>55075-3A</del>	SPIDER — clutch <i>58546-1</i>	1
42	55076-1A	SHOE — clutch	3
43	55225-1A	KEY — clutch	2
44	56101-A	COVER — clutch	1
45	58347	SPACER — clutch	1
46	80867	SCREW — hex hd., #12-24 x 3/4	5
47	A-58379	HANDLE BAR — flush cut	1
48	83003	WASHER — lock, 3/8	3
49	80087	SCREW — hex hd., #6-18 x 1 1/2	1

\*Check type and number of teeth on sprocket before ordering.

OPTIONAL — available on order:

A-56019	SPROCKET AND DRUM — 6 tooth, 1/2" pitch (open type)
A-56377	SPROCKET AND DRUM — 7 tooth, 3/8" pitch (open type)

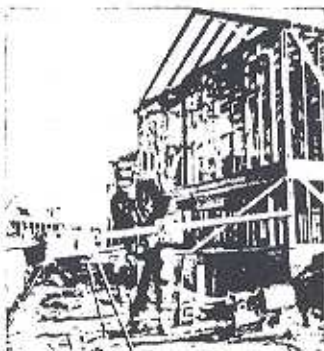
A-57363-A	SPROCKET AND DRUM — 7 tooth, 3/8" pitch (rim type)
77403	Includes BEARING — needle

Always furnish saw model and serial number when ordering parts.

**You'll  
SPEED WORK  
and make  
MORE MONEY  
with...**



**HOMELITE  
SELF-PRIMING PUMPS**



**HOMELITE  
DEPENDABLE GENERATORS**



**HOMELITE  
POWERFUL ONE-MAN CHAIN SAWS**



**HOMELITE  
ONE-MAN CONCRETE VIBRATORS**



**HOMELITE — BOSCH (Germany)  
ELECTRIC BUILDER'S HAMMERS**

**All Powered By Famous HOMELITE Engines**

Homelite's two-cycle gasoline engines are the most efficient and dependable units of their kind ever built. Their two-cycle design, developed to perfection by Homelite engineers over the past 35 years, gives maximum power for the least weight because power is produced at every piston down stroke. As an added advantage, this design requires fewer moving parts which means greater dependability and lower maintenance.



Printed in United States of America

10M-9-62

**HOMELITE**

A **fextron** DIVISION

**PORT CHESTER, N. Y.**

Illustrated in **TEST-SPECTRA** and  
published by PURNELL COMPANY, INC.  
Boston, Mass.