

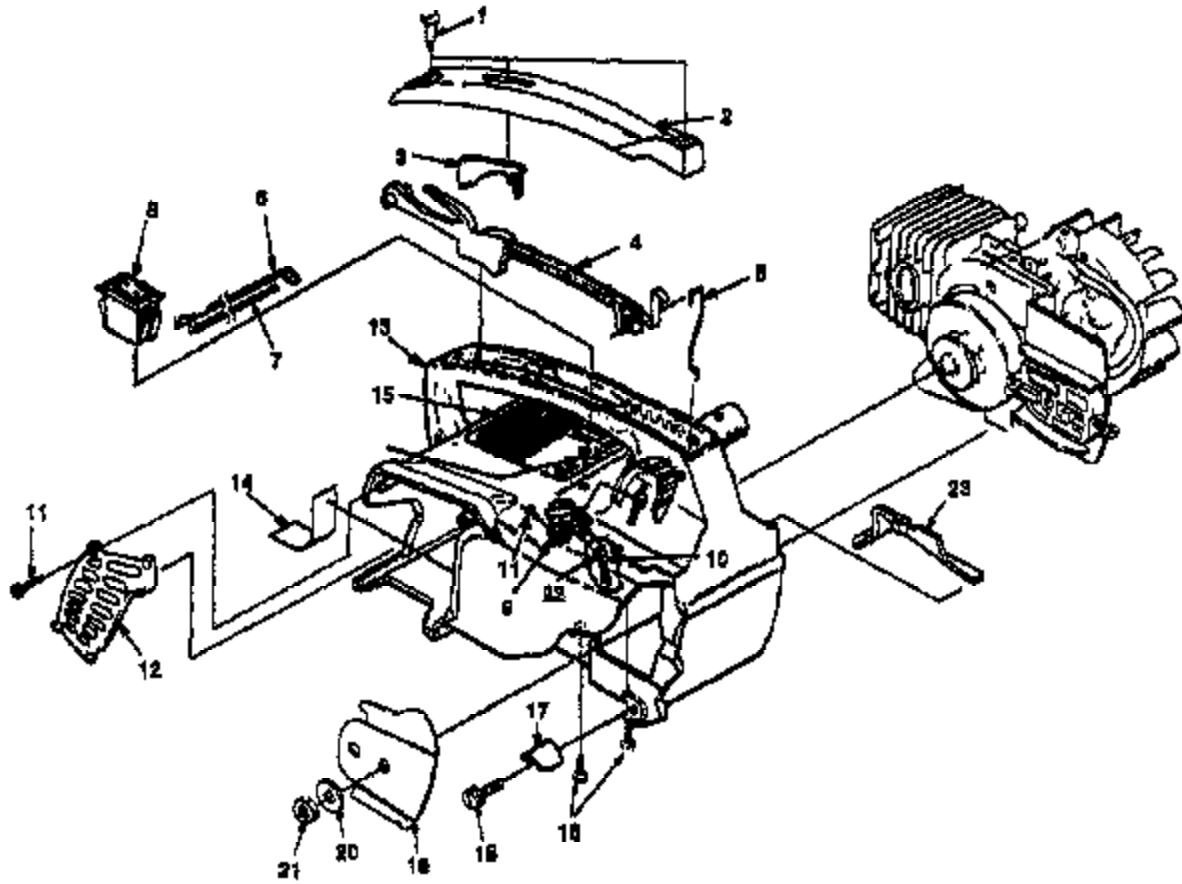
HOMELITE®

- GB** PARTS LIST
- F** LISTE DE PIÈCES
- D** TEILELISTE
- E** LISTA DE PIEZAS
- I** ELENCO DELLE PARTI

180	UT-10720-A, B, C, D UT-10721-A, B UT-10727, A
192	UT-10729, A
200	UT-10690-A, B, C, D UT-10699-A, B, C, D UT-10719-A, B, C, D UT-10723-A, B, C
SUPER 2 SL	UT-10701-A, B UT-10728
XL	UT-10694-A, B UT-10695-A, B UT-10722-A, B, C
SUPER 2	UT-10696-A, B
LITTLE RED	UT-10697-A, B UT10740, A UT10741 UT10748, A

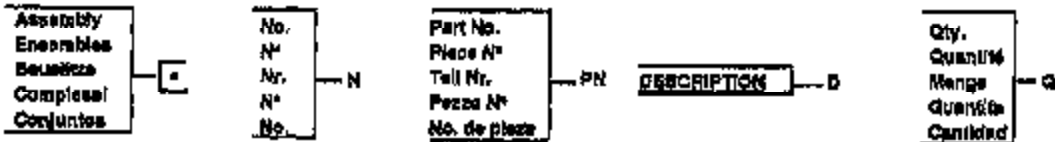
Printed in U.S.A.
Imprimé aux. E.-U.
Gedruckt in U.S.A.
Impresso an EE. UU.
Stampato negli Stati Uniti
P/N 18886

1

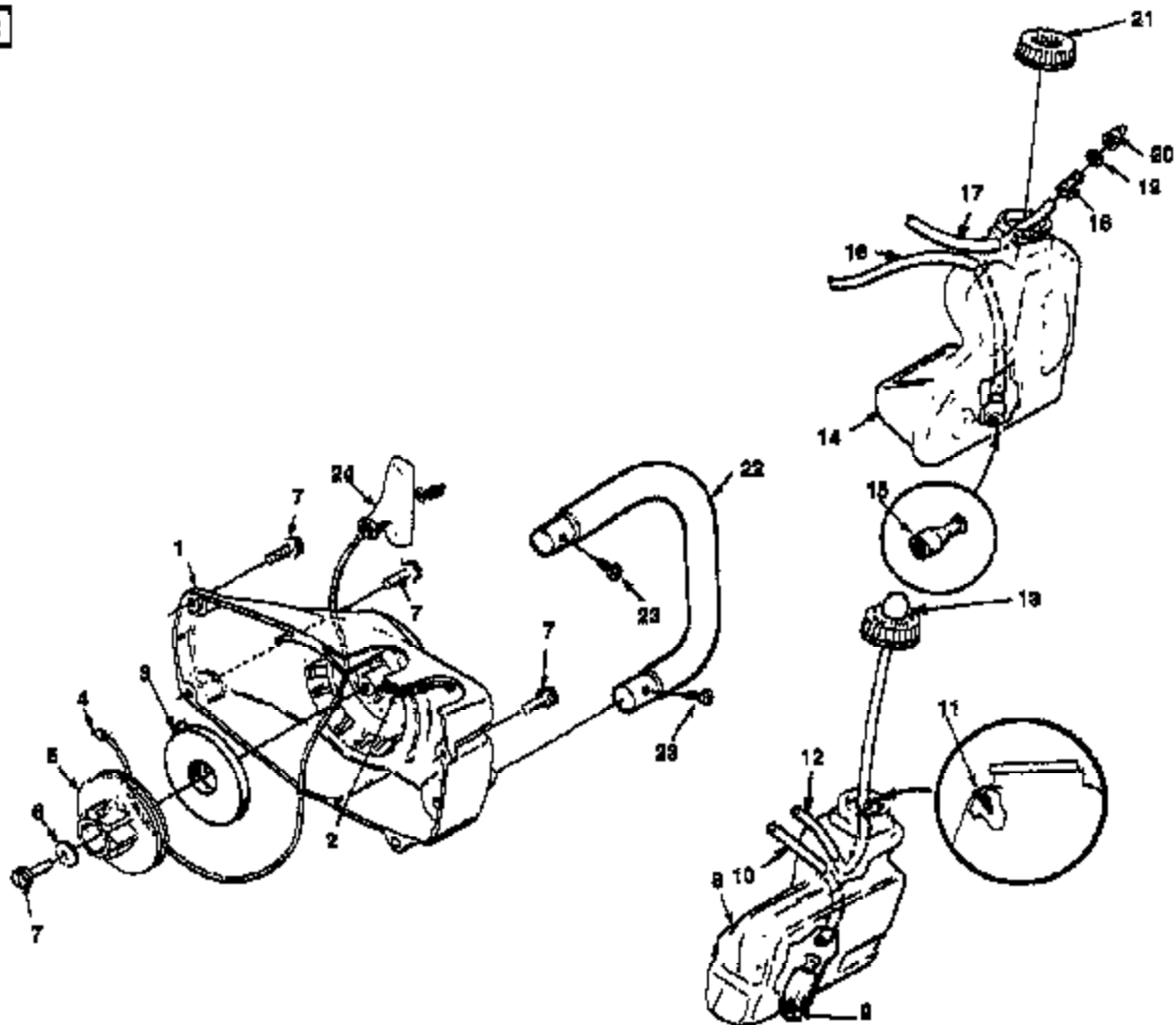


N	PN	D	Q
1	04060	SCREW-Pan, plastic (#10-18 X 3/4")	2
2	02495	COVER-Handle	1
3	02493	LOCK-Trigger	1
4	02492-A	TRIGGER	1
5	02501	ROD-Throttle	1
6	A-02482	LEAD-w/Flag Term.	1
7	A-02484	LEAD-w/Ring Term.	1
8	02487	SWITCH	1
9	A-01147	OIL VALVE	1
10	70310-17	TUBING-Rubber (4 1/4")	1
11	02529	SCREW-Pan plastic (#8 X 3/8")	8
12	02765	SHIELD-Muffler	1
13	A-01292	HOUSING-Engine	1
14	06815	TAPE	2
15	02490-A	DECAL-Warning	1

N	PN	D	Q
16	02534	SCREW-Torx, plastic (10-24 X 3/4")	4
17	05212	STOP-Chain	1
18	02583	SCREW-Torx, plastic (#10 X 3/4")	1
19	00080-A	PLATE-Guide Bar	1
20	00308-A	WASHER-Flat	1
21	01085-2	NUT-Hex	1
22	70310-32	TUBING-Rubber (8")	1
23	02491	COVER-Air Filter	1



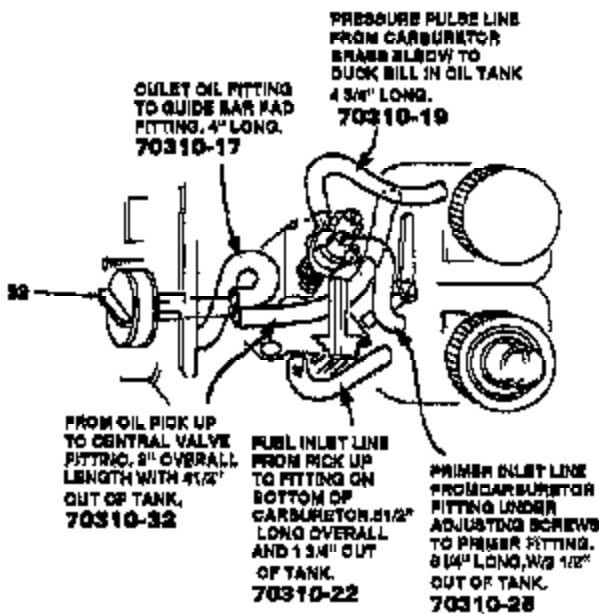
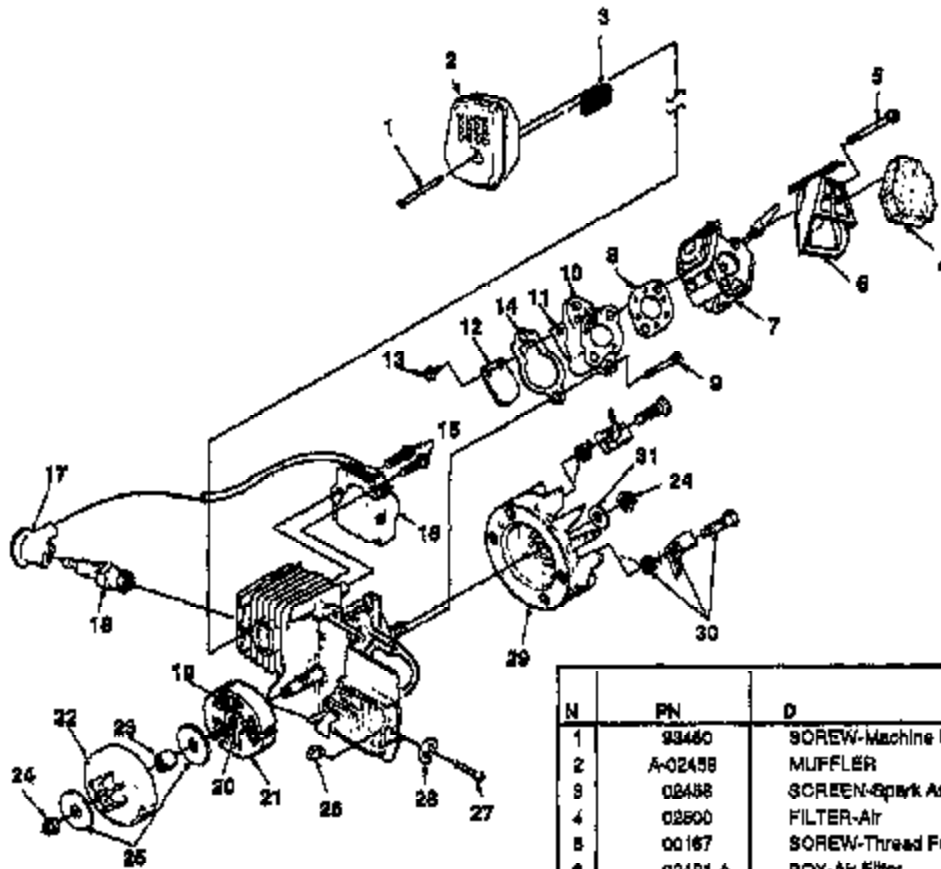
2



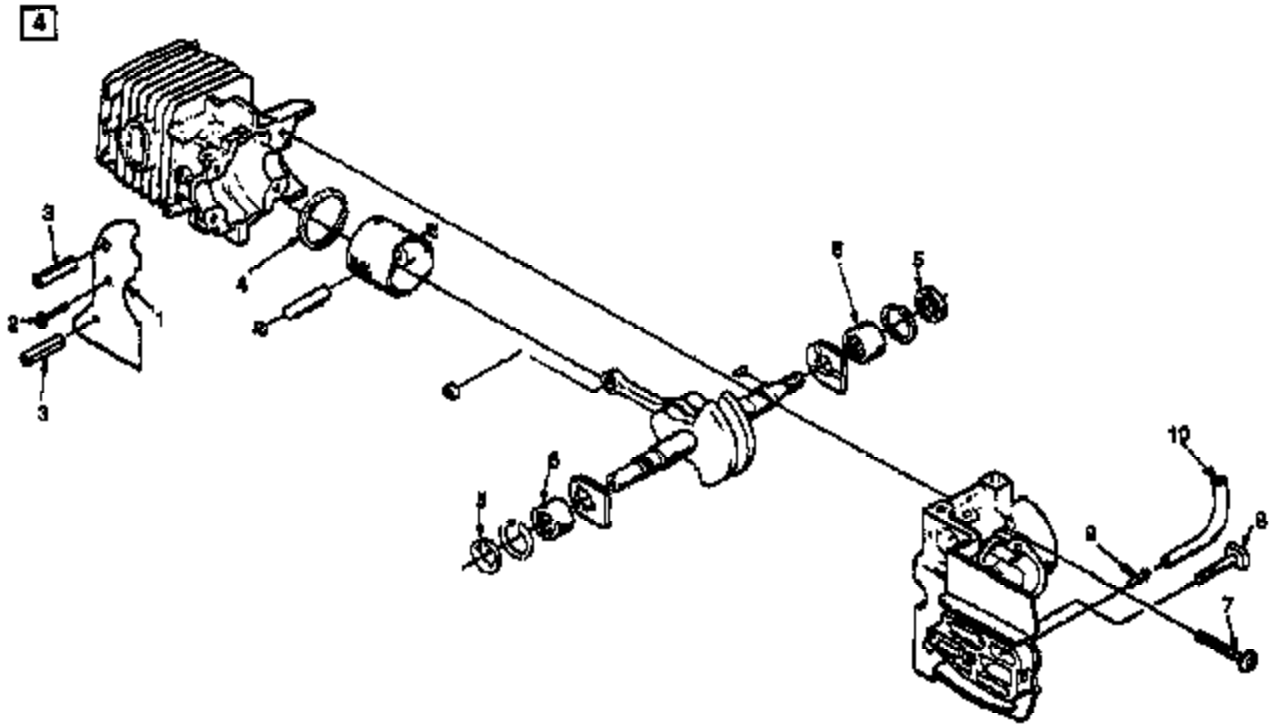
N	PN	D	Q
1	A-02562-B	STARTER HOUSING ASSY.	1
2	65449	FILTER	1
3	A-97908	SPRING & CONTAINER	1
4	97899-01	ROPE-Starter (48")	1
5	98052-A	ROPE-Starter (250 Ft. Reel)	1
6	87768-A	PULLEY-Starter	1
8	94062	WASHER-Retaining	1
7	82663	SCREW-Torx (#10 x 3/4")	5
9	A-02764-1	FUEL TANK	1
8	49422	FILTER-Fuel	1
10	70310-22	LINE-Fuel (8 1/2")	1
11	98919	VALVE-Check	1
12	70810-26	TUBING-Return (8 1/4")	1

N	PN	D	Q
13	70310-8B	TUBING-Rubber (10 Ft. Length)	1
13	A-01972-A	PRIMER & CAP	1
14	A-02763-1	OIL TANK	1
15	A-68893	FINDER-OIL	1
16	70910-32	TUBING-Rubber (8")	1
17	70310-19	TUBING-Rubber (4 3/4")	1
18	69889-B	FITTING-OIL	1
19	63004	WASHER- Lock	1
20	98919	VALVE-Check	1
21	A-97230-A	OIL CAP	1
22	02498	HANDLE BAR	1
25	94065	SCREW- Pan Head (#10-16 x 3/4")	2
24	02264	GRIP-Starter	1

2

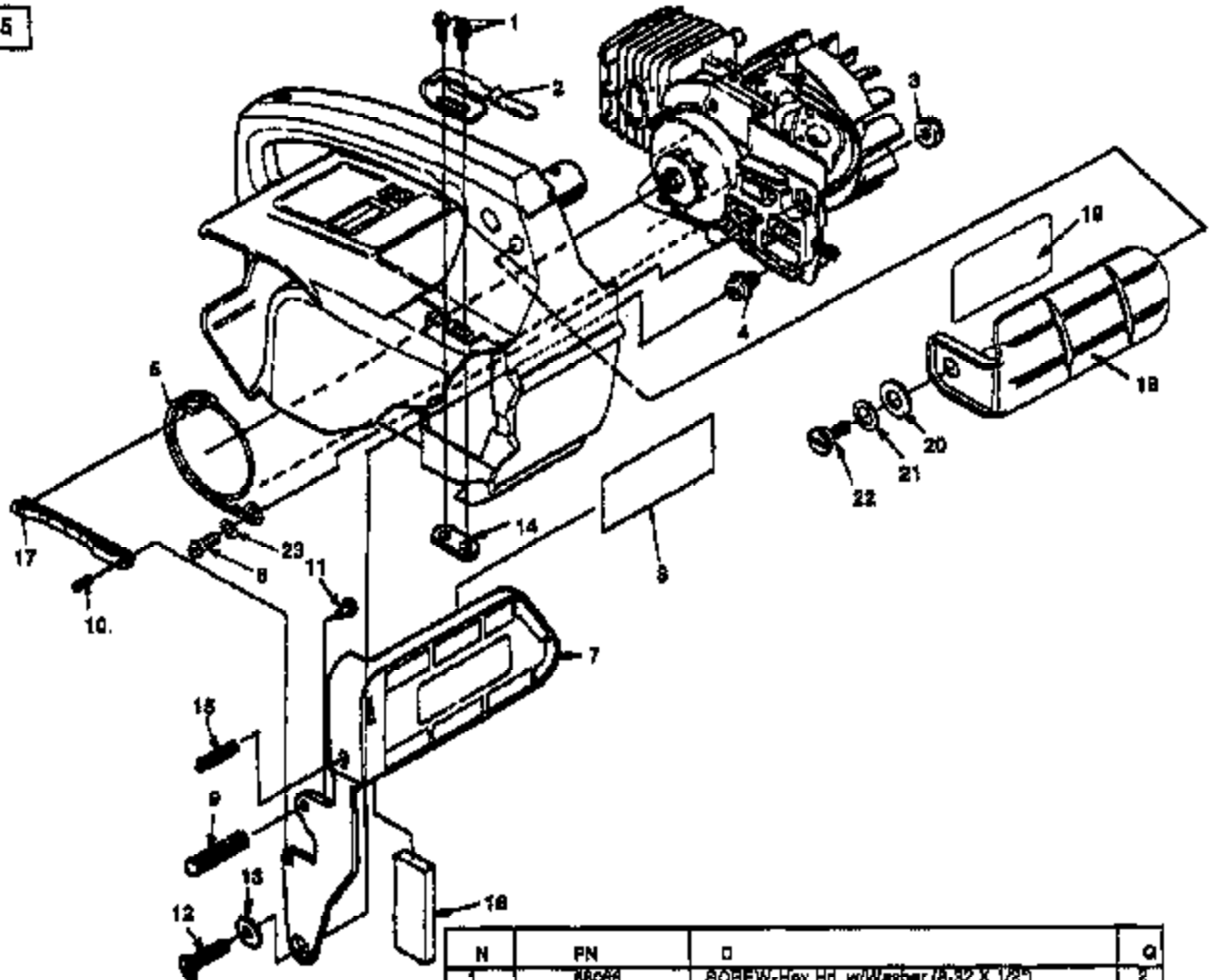


N	PN	D	Q
1	93460	SCREW-Machine Hex Series (#8 -32 X 3/4")	1
2	A-02458	MUFFLER	1
3	08488	SCREEN-Spark Arrestor	1
4	02600	FILTER-Air	1
5	00167	SCREW-Thread Forming	2
6	02491-A	BOX-Air Filter	1
7	A-01373	CARBURETOR (Zama)	1
8	02493	GASKET-Carburetor	1
9	82589	SCREW-Plastic, (10-14 X 1")	2
10	A-02499	HEAT DAM	1
11	98993	REED	1
12	08205	STOP-Reed	1
13	82496	SCREW-Hex Taptite (4-40 X 3/8")	2
14	02453	GASKET-Intake Manifold	1
15	82540	SCREW-Thread Forming (8-32 X 1")	2
16	A-04711-08	MODULE-Ignition	1
17	A-33055	TERMINAL	1
18	98169-8	SPARK PLUG (Champion DJ7Y)	1
	79252	SPARK PLUG (Champion RDJ7Y)	1
19	03951	SPRING-Clutch	3
20	79221	SPIDER-Clutch	1
21	79222-A	SHOE-Clutch	3
22	A-95893-C	SPROCKET & DRUM	1
23	70277	BEARING	1
24	61228	NUT-Rotor (5/16-24)	2
25	98299	WASHER-Throat	2
26	89264-2	PIN-Adjusting	1
27	A-00440	SCREW & E-RING KIT	1
28	93874	E-RING	1
29	A-04166	ROTOR & STARTER PAWL	1
30	A-70285-B	STARTER PAWL KIT	1
31	84088	WASHER-(5/16")	1
32	A-01147	OIL VALVE	1

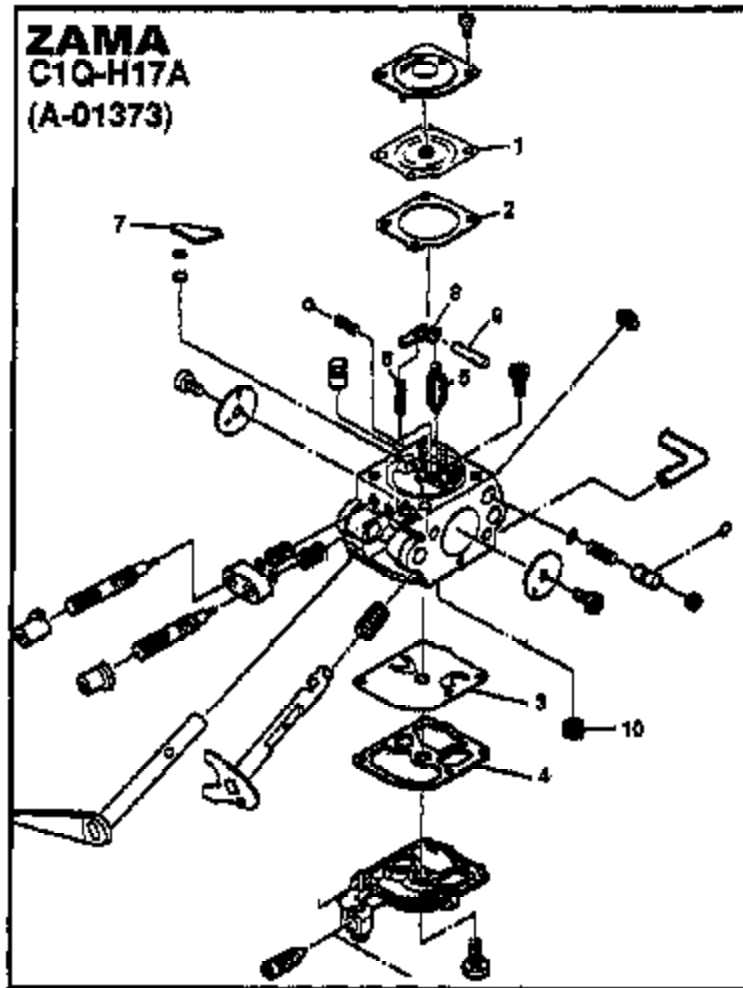


N	PN	D	Q
1	02690	SAW DUST SHIELD	1
2	93992	SCREW- Tapping (#6-32 x 5/16")	1
3	70763	PIN- Roll (5/32 x 1 1/8") (Brake Model Only)	2
	* A- 00132-1	SHORT BLOCK (XL, 180)	1
4	93165	RING- Piston	1
5	94838	SEAL- Shaft	2
6	12530	BEARING- Needle	2
7	92667	SCREW- Torx Pan Hd. (10-24 x 1 1/8")	4
8	99195	BOLT- Guide Bar	1
9	94619	FITTING- Tube	1
	* A- 01106	SHORT BLOCK (182, Super 2, 200, Super 2 SL)	1
	93165	RING- Piston	1
	94638	SEAL- Shaft	2
	12530	BEARING- Needle	2
	92667	SCREW- Torx Pan Hd. (10-24 x 1 1/8")	4
	99195	BOLT- Guide Bar	1
	94619	FITTING- Tube	1
10	70310-17	TUBING- Rubber (Oil Line) (4 1/4")	1
	70310-99	TUBING- Rubber (Oil Line) (10 Ft. Length)	1

5



N	PN	Q	Q
1	88088	SOREW-Hex Hd. w/Washer (8-32 X 1/2")	2
2	02885	OLIP-Retaining	1
3	81124-A	NUT-Hex, Jam	1
4	70638	POST-Chain Brake	1
5	70637-C	BAND-Brake	1
6	82588	SCREW-Thread Form (10-24 x 3/4")	1
7	* A-08061-A	HANDGUARD & LEVER (Super 2, Super 2 6L)	1
8	02861	DECAL-Safety	1
9	JA-48188-8	PIN-Roll (5/16 X 1")	1
10	86395-A	PIN-Roll	1
11	82967	SCREW-Drive	1
12	82188	SCREW-Machine, Pan Hd. (10-32 X 1/2")	1
13	70632	WASHER-Flat	1
14	02887	NUT-Weld	1
15	JA-48188-1	PIN-Roll	1
16	02482	WEIGHT-Handle (International Only)	1
17	A-70787	PIVOT-Link	1
18	* A-70798-0	HANDGUARD KIT (Super 2, XL, 180 & 182)	1
19	02861	DECAL-Handguard	1
20	88864	WASHER-Curve Spring	1
21	88102	WASHER-Flat	1
22	85714	SCREW-Shoulder	1
23	84008	WASHER- Flat (#10)	1



ZAMA
C1Q-H17A
(A-01373)

REPAIR KIT.....(1-10) A-01373
Jeu de réparation
Reparatursatz
Juego de reparación
Kit per riparazioni
GASKET/DIAPHRAGM KIT.....(1-4) A-03204
Jeu joint/diaphragme
Dichtung/Membran-Satz
Conjunto junta/diaphragma
Kit diaphragma/guarnizione

TOOLS
OUTILS
WERKZUGE
ATTREZZI
HERAMIENTAS

WRENCH (combination) D-24614-A
Clé combinée
Schraubenschlüssel Kombination
Chiave combinata
Llave combinada

SILASTIC (crankcase sealing) 24825
Silastic (étanchéité du carter)
Silastic (Kurbgehäuse Dichtung)
Silastic (sigillo di tenuta del carter)
Silastic (sello del carter)

FULLER-Magneto Rotor A-24747-A
Extracteur, rotor magnétique
Abziehwerkzeug-Magnetrotor
Rotore d'estrazione a magnete
Extractor-rotor de magnete

IGNITION TEST SPARK PLUG JA-21616-4
Testeur d'allumage
Testzündkerze für Zündprüfung
Candela di collaudo
Bujía para probar el encendido

SHIM (0.015" AIR GAP) 22496
Cade (écart de 0,38 mm)
Distanzscheibe (0,38 mm Luftspalt)
Spessore (sp/interometro 0,38 mm)
Suplemento (espacio de 0,38 mm)

T25 TORX DRIVE BIT 24892-01
Foret torx T-25
T-25 Torx-Antriebsbit
Punta Torx Drive T-25
Broca de empuje T-25 Torx

T27 TORX DRIVE BIT 16666-01
Foret torx T-27
T-27 Torx-Antriebsbit
Punta Torx Drive T-27
Broca de empuje T-27 Torx

ACCESSORIES
ACCESSOIRES
ZESBÖR
ACCESSORIIS
ACCESORIOS

SAFE T TIP (Standard) DA-70778-B

GREASE-Multi Purpose 18453
Graisse universelle
Mehrzweck-Schmiermittel
Grasso, multuso
Grasa de uso general

KIT-Repair (sprocket nose bar) A-70139-B
Jeu de réparation (lame à nez à pignon)
Reparatursatz (Kettanrad-Nasen spitze)
Kit per riparazioni (denta punta lama)
Juego de reparación (extremo barra rueda dentada)

CARRYING CASE A-01601
Boîtier de transport
Tragekasten
Custodia
Maletín

**SYMBOL DEFINITIONS
DEFINITIONS DES SYMBOLES
ERKLÄRUNG DER WARNSYMBOL
DEFINIZIONI DEI SIMBOLI
SIGNIFICADO DE LOS SIMBOLOS**



**DANGER!
DANGER!
GEFAHR!
¡PELIGRO!
PERICOLO!**

**READ YOUR PRODUCT LITERATURE.
LIRE LES PUBLICATIONS SUR LE PRODUIT.
DIE MASCHINEN-BESCHREIBUNGEN UND ANLEITUNGEN LEBEN.
LEER EL MANUAL DEL PRODUCTO.
LEGGERE LA DOCUMENTAZIONE DEL PRODOTTO.**

**WEAR HEARING AND EYE PROTECTION DEVICES.
PORTER DES PROTEGE-OREILLES ET UNE PROTECTION DES YEUX.
OHREN-UND AUGENSCHUTZ TRAGEN.
USAR EQUIPO DE PROTECCION DE OÍDOS Y OJOS.
INDOSSARE AURICOLARI ED OCCHIALI PROTETTIVI.**

CUSTOMER ASSISTANCE

FOR THE LOCATION OF YOUR NEAREST HOMELITE SERVICING DEALER IN THE UNITED STATES, PUERTO RICO, AND THE VIRGIN ISLANDS.

CALL: 1-800-242-4672

NOTE: DEALER INFORMATION, TECHNICAL ADVICE AND PRODUCT INFORMATION CAN BE OBTAINED AT THIS NUMBER.

HEADQUARTERS

**HOMELITE DIVISION OF TEXTRON INC.
P.O. BOX 7047
CHARLOTTE, N.C. 28241**

OVERSEAS OFFICES

NETHERLANDS

**HOMELITE TEXTRON
DIVISION OF TEXTRON ATLANTIC
(HOMELITE - Europe, Africa and Middle East)
Havenstraat 24
2103 GB Nieuw Venneep
The Netherlands**

FRANCE

**HOMELITE TEXTRON
UNE DIVISION DE TEXTRON
S.A.R.L.
21, av Vert-Galant
Rue du Château/Rue de la Garenne
95310 Saint-Quen-L'Aumône
France**

AUSTRALIA

**HOMELITE DIVISION OF TEXTRON PACIFIC LIMITED
HEADQUARTERS
28 Terra - Golda Drive
Blackburn, 3130
Victoria, Australia**

CANADIAN OFFICES

HOMELITE

**DIVISION OF TEXTRON CANADA LIMITED
1850 25th Avenue
Lachine, Quebec, Canada
H3T 2J8**

**212-214 880 Ebury Place
New Westminster, B.C.
V3M 8K7**

**691 Conaroc Drive
Toronto, Ontario
M3J 2P8**

HOMELITE TEXTRON

HOMELITE Division of Textron Inc