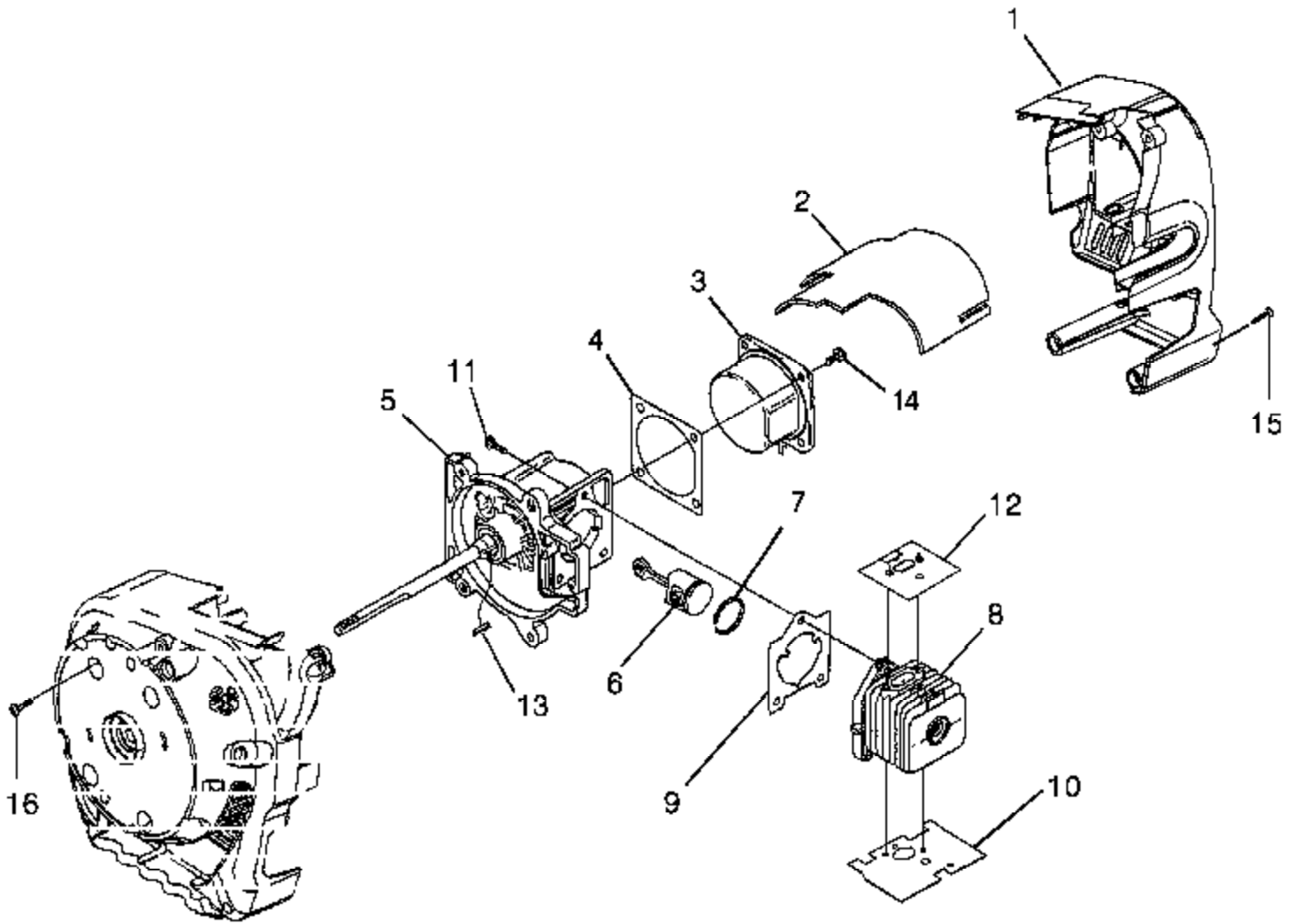


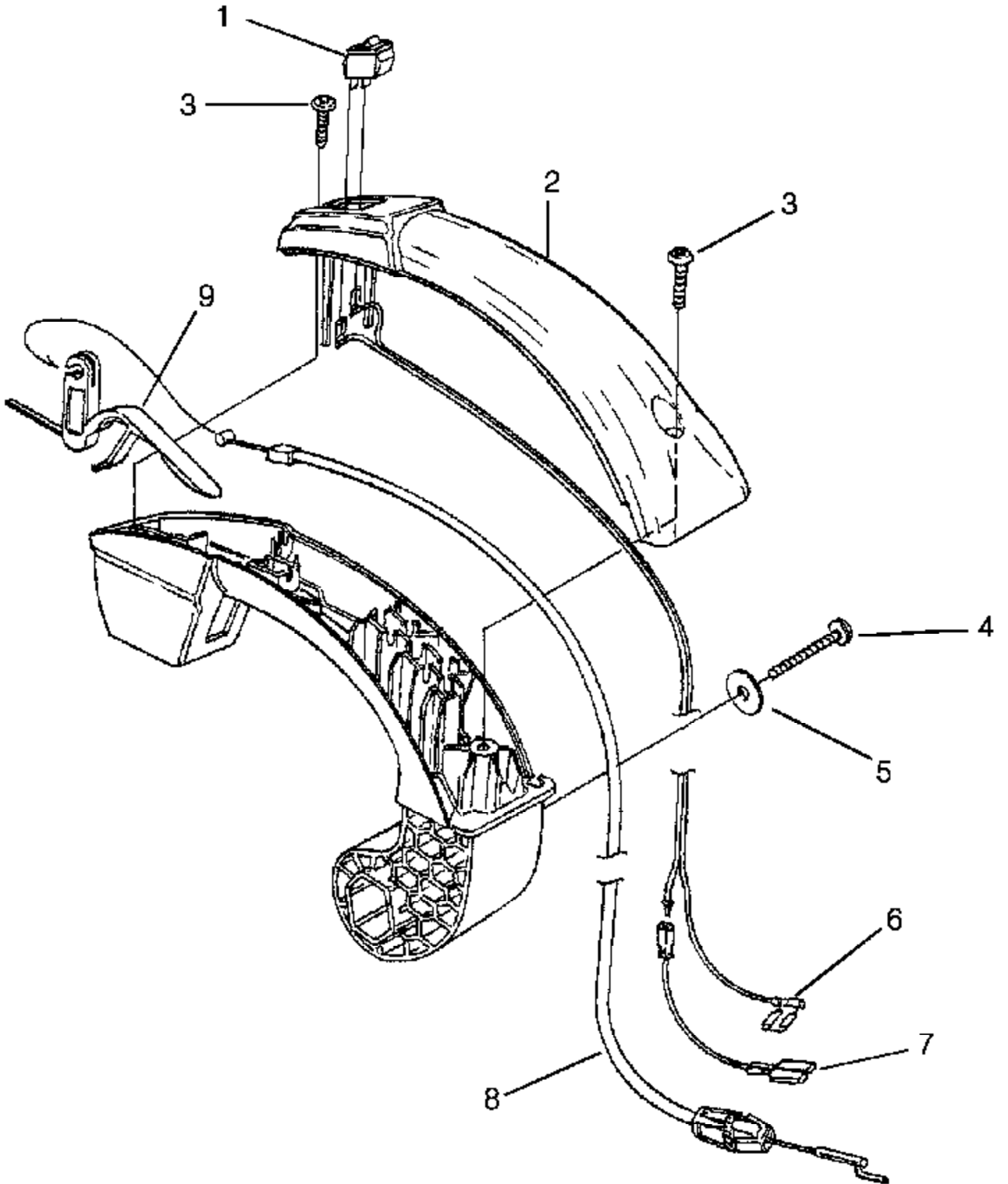
| Ref # | Part Number | Qty | Description                        |
|-------|-------------|-----|------------------------------------|
| 1     | A02976A     |     | GAS CAN 1 1/4 Gallon               |
| 2     | UP06839     |     | EAR PLUGS                          |
| 3     | UP06835     |     | SAFETY GLASSES-Clear               |
| 4     | 01231D      |     | EXACT MIX (TM) Oil - 1 pint (50:1) |
| 5     | A06778      |     | GOGGLES                            |
| 6     | UP07694     |     | EAR PROTECTORS                     |



| Ref # | Part Number | Qty | Description   |
|-------|-------------|-----|---|
| 1     | UP04307     | 2   | Screw, Machine (10-24 x 2.8) Torque Specs 30-40 In/Lbs; 3.4-4.5 Nm; See "Muffler - Air Cleaner" Ref. No.10 for Torque Specs |
| 2     | UP03863     | 1   | Heat Dam  |
| B     | UP00654     | 1   | Carburetor Assembly   |
| 3     | UP03916     | 1   | Gasket, Carburetor Also included with Short Block and Cylinder assemblies.  |
| 4     | UP04278     | 1   | Lever, Choke (Zama)   |
| 5     | UP04140     | 2   | Screw, Sems (10-24 x 1") Also included with Short Block and Cylinder assemblies; Torque Specs 50-60 In/Lbs; 5.6-6.8 Nm      |
| F     | UP00495     | 1   | Fuel Tank Assy.   |
| 6     | UP04708     | 1   | Fuel Cap  |
| 7     | UP03871     | 1   | Fuel Filter   |
| 8     | UP04347     | 1   | Tubing, Rubber (3")   |
| 9     | UP04294     | 1   | Tubing, Rubber (5")   |
| 10    | UP04310     | 1   | Fitting, Inlet (Small for 2.5mm ID fuel line)   |
|       | UP03831     | 1   | Fitting, Inlet (Large for 3mm ID fuel line)   |
| 11    | UP03913     | 1   | Clamp, Wire   |
| 12    | UP03900     | 3   | Screw, Thread Forming (10-14 x 3/4) Torque Specs 30-40 In/Lbs; 3.0-4.0 Nm   |
| 13    | UP03867     | 3   | Washer  |
| 14    | UP03907     | 1   | Tape, Aluminum  |
| 15    | UP04308     | 1   | Gasket, Heat Dam Also included with Short Block and Cylinder assemblies.  |
| 16    | UP04294     | 1   | Tubing, Rubber (5")   |

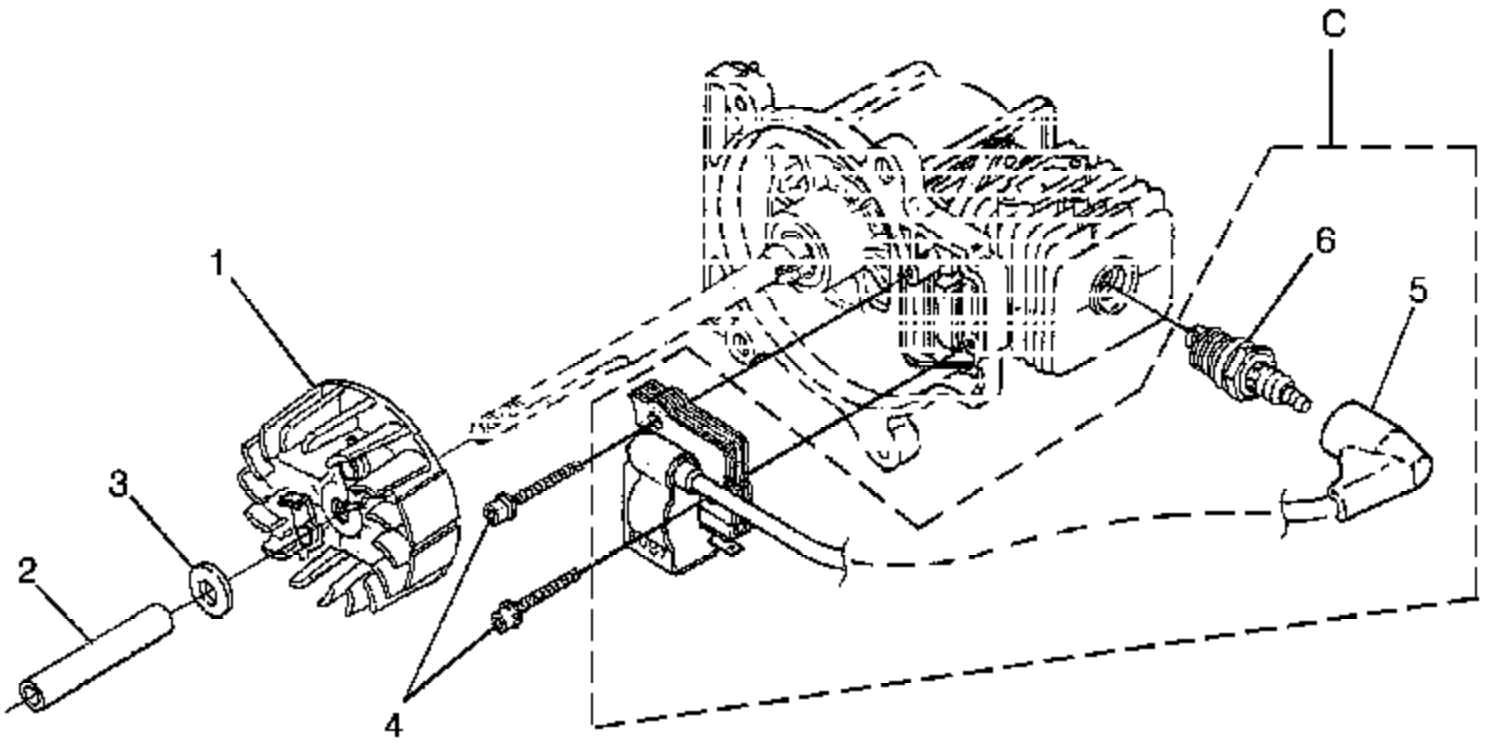


| Ref # | Part Number | Qty | Description  |
|-------|-------------|-----|--|
| 1     | UP04314     | 1   | Shroud   |
| 2     | UP04322     | 1   | Heat Shield, Muffler   |
| 3     | UP06543     | 1   | Crankcase Cover  |
| 4     | UP04335     | 1   | Gasket, C/Case Also included with Short Block and Cylinder assemblies                      |
| 5     | UP00759     | 1   | Short Block (Svc)(30cc)  |
| 6     | UP03366     | 1   | Piston & Rod (30cc)  |
| 7     | UP03837     | 2   | Piston Ring (30cc) Ring for single ring 30CC piston 04933                                  |
| 8     | UP07146     | 2   | Cylinder Kit (30cc)  |
| 9     | UP03857     | 1   | Gasket, Cylinder   |
| 10    | UP04308     | 1   | Gasket, Heat Dam   |
| 11    | UP04345     | 3   | Screw, Sems (12-24 x 3/4) Torque Specs 55-65 In/Lbs; 6.2-7.3 Nm; Red 262 Loctite Required  |
| 12    | UP04350     | 1   | Gasket, Muffler  |
| 13    | UP03874     | 1   | Key, Woodruff  |
| 14    | UP04295     | 4   | Screw, Sems (10-24 x .560) Torque Specs 35-45 In/Lbs; 4.0-5.1 Nm; Red 262 Loctite Required |
| 5     | UP00756     | 1   | Short Block (Svc)(25cc)  |
| 6     | UP00768     | 1   | Piston & Rod (25cc)  |
| 7     | PS01359     | 1   | Piston Ring (25cc)   |
| 8     | UP07145     | 1   | Cylinder Kit (25cc)  |
| 9     | UP03857     | 1   | Gasket, Cylinder   |
| 10    | UP04308     | 1   | Gasket, Heat Dam   |
| 11    | UP04345     | 3   | Screw, Sems (12-24 x 3/4) Torque Specs 55-65 In/Lbs; 6.2-7.3 Nm; Red 262 Loctite Required  |
| 12    | UP04350     | 1   | Gasket, Muffler  |
| 13    | UP03874     | 1   | Key, Woodruff  |
| 14    | UP04295     | 4   | Screw, Sems (10-24 x .560) Torque Specs 35-45 In/Lbs; 4.0-5.1 Nm; Red 262 Loctite Required |
| 15    | UP03895     | 5   | Screw, Thread Forming (10-14 x 7/8) Torque Specs 30-40 In/Lbs; 3.4-4.6 Nm                  |
| 16    | UP03406     | 4   | Taptite, Truss (10-24 x 3/4) Torque Specs 55-60 In/Lbs; 6.2-6.8 Nm                         |

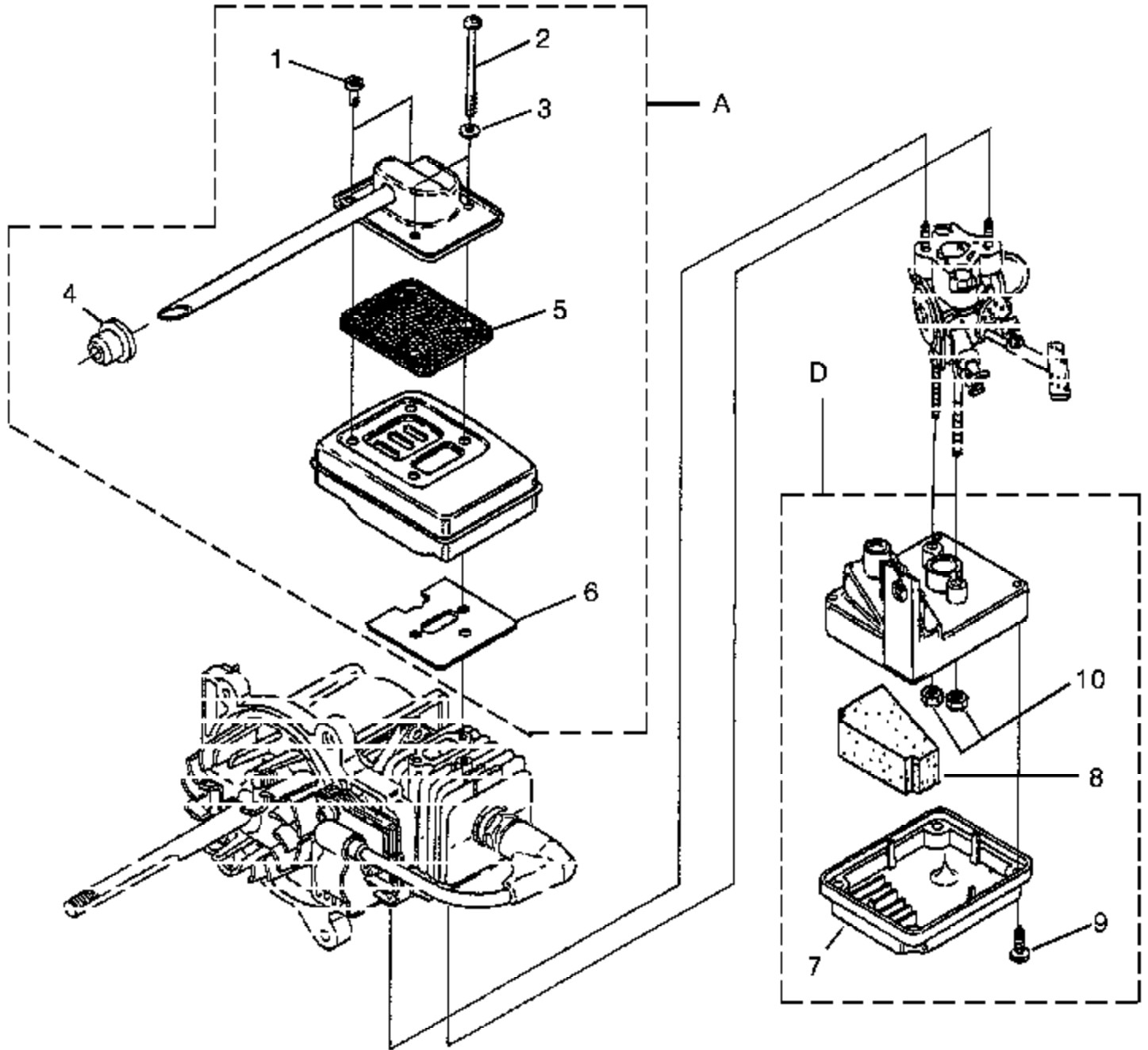


| Ref # | Part Number | Qty | Description  |
|-------|-------------|-----|--|
|       | UP06900     | 1   | Handle Assembly  |
| 1     | UP04320     | 1   | Switch, Rocker(Stop)   |
| 2     | UP04325     | 1   | Handle Cover   |
| 3     | UP03898     | 2   | Screw, Thread Forming (8-16 X 1/2) Torque Specs 10-25<br>In/Lbs; 1.1-2.8 Nm  |
| 4     | UP03895     | 1   | Screw, Thread Forming (10-14 X 7/8) Torque Specs 30-45<br>In/Lbs; 3.4-5.1 Nm |
| 5     | UP06901     | 1   | Washer, Flat   |
| 6     | UP04333     | 1   | Kill Switch Lead   |
| 7     | UP04327     | 1   | Cable, Throttle  |
| 8     | UP04326     | 1   | Trigger  |
| 9     |             |     | UNKNOWN  |

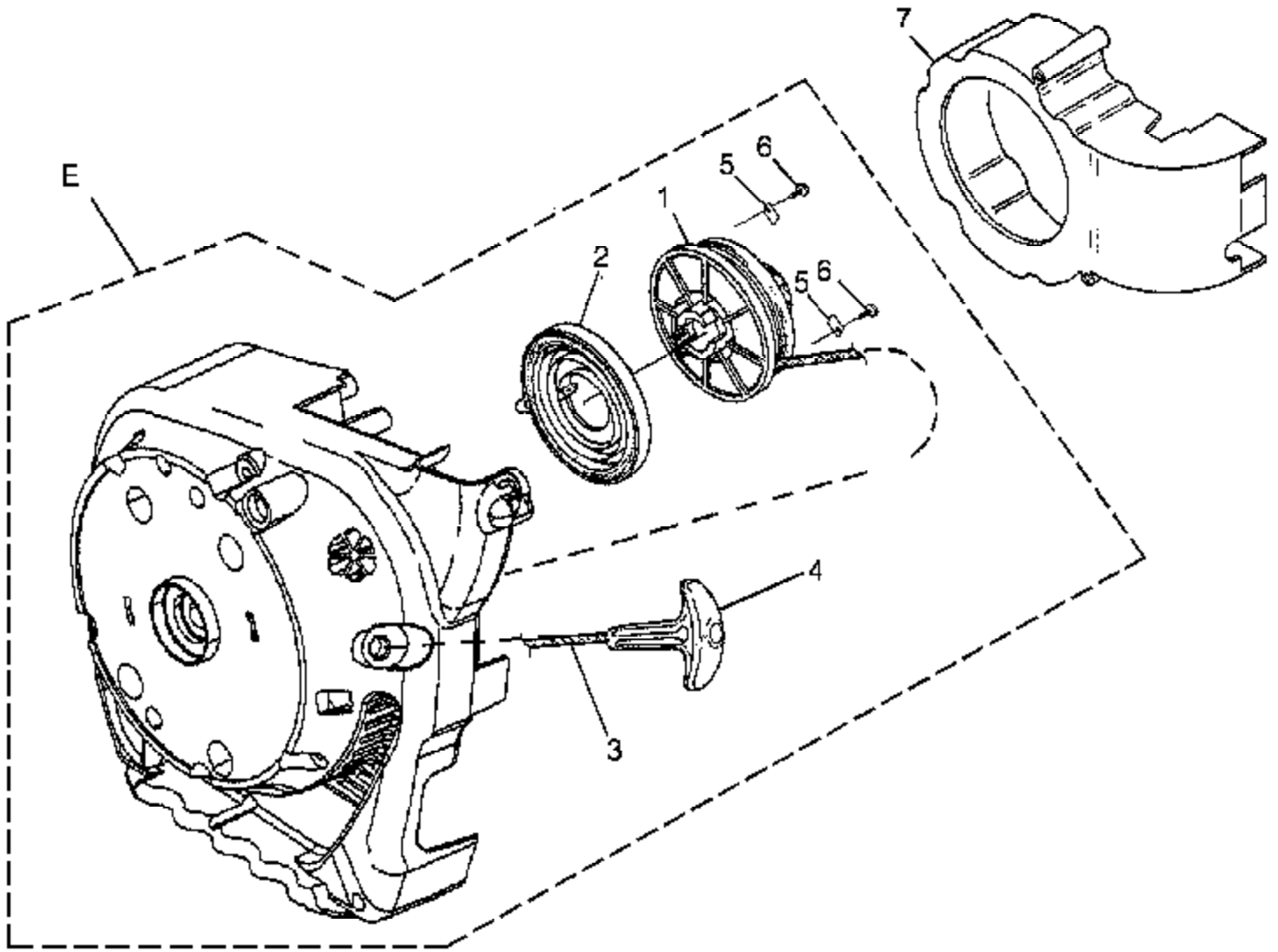




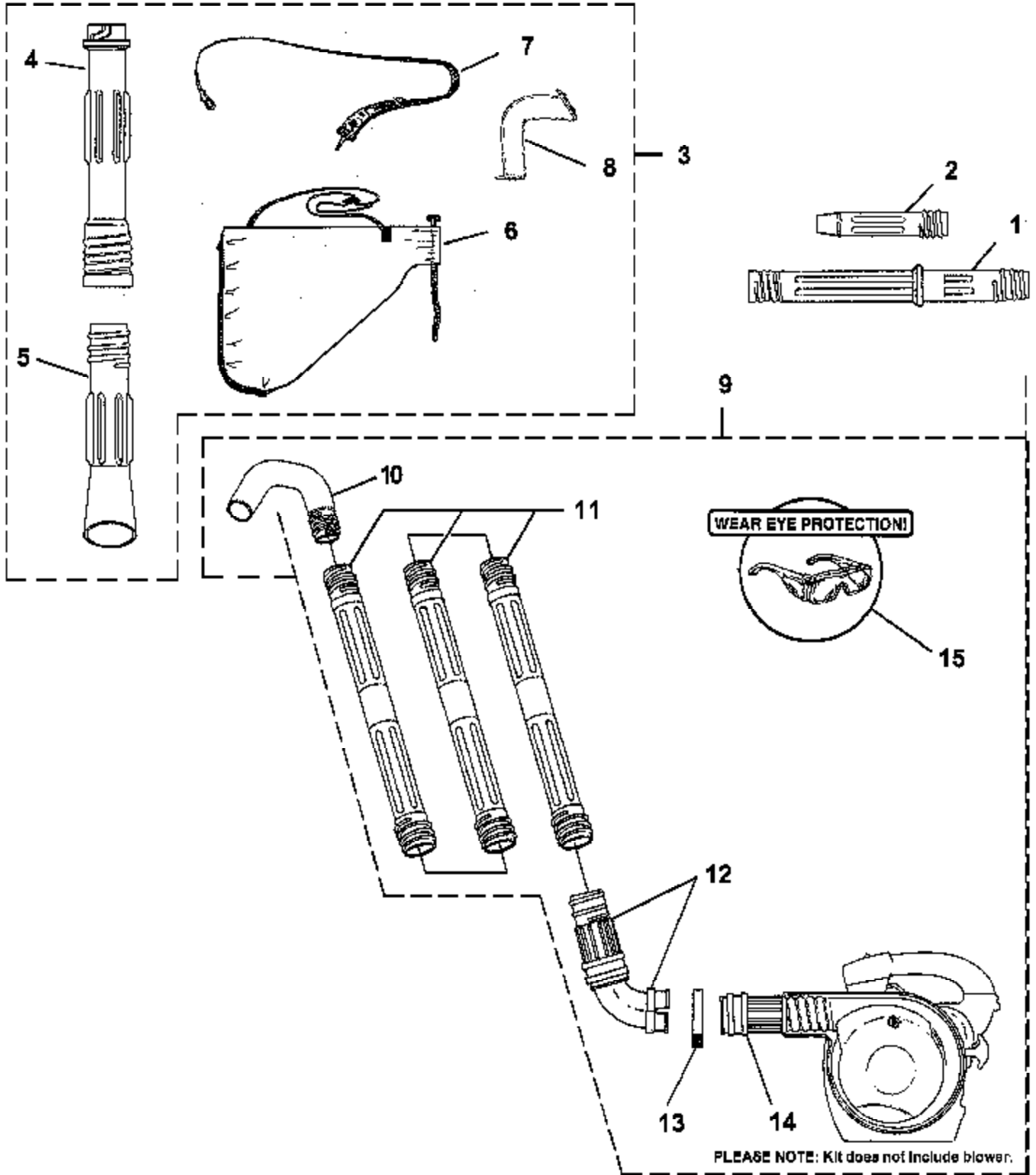
| Ref # | Part Number | Qty | Description  |
|-------|-------------|-----|--|
| 1     | UP03856     | 1   | Rotor & Starter Pawls  |
| 2     | UP03855     | 1   | Spacer   |
| 3     | UP03906     | 1   | Washer, Flat   |
| 4     | UP03896     | 2   | Screw-Thread Forming (8-32 X 1) Torque Specs 30-40 In/Lbs; 3.4-4.5 Nm; Blue 242 Loctite Required |
| C     | UP03858     | 1   | Ignition Kit   |
| 5     | UP03868     | 1   | Terminal & Cover   |
| 6     | UP03883     | 1   | Resistor Spark Plug (RDJ-7Y) Torque Specs 120-180 In/Lbs; 13.6-20.3 Nm                           |



| Ref # | Part Number | Qty | Description  |
|-------|-------------|-----|--|
| A     | UP06823     | 1   | Muffler Assembly, Crimped  |
| 1     | UP04248     | 2   | Screw, Taptite (8-32 x 3/8) Torque Specs 20-30 In/Lbs; 2.3-3.4 Nm            |
| 2     | UP04249     | 2   | Screw, Torx Truss Hd. (10-24 X 2.188") Torque Specs 50-60 In/Lbs; 5.6-6.8 Nm |
| 3     | UP03866     | 2   | Washer, Conical #10  |
| 4     | UP04321     | 1   | Muffler Grommet  |
| 5     | UP04316     | 1   | Screen Assy., Spark  |
| 6     | UP03817     | 1   | Gasket, Muffler Also included with Short Block and Cylinder assemblies.      |
| D     | UP06824     | 1   | Air Filter Assembly  |
| 7     | UP04318     | 1   | Cover, Air Box   |
| 8     | UP04323     | 1   | Filter Element #1  |
| 9     | UP03893     | 4   | Screw, Thread Forming (8-16 X .50) Torque Specs 30-40 In/Lbs; 3.4-4.5 Nm     |
| 10    | UP03885     | 2   | Nut, Lock Hex (10-24) Torque Specs 30-40 In/Lbs; 3.4-4.5 Nm                  |

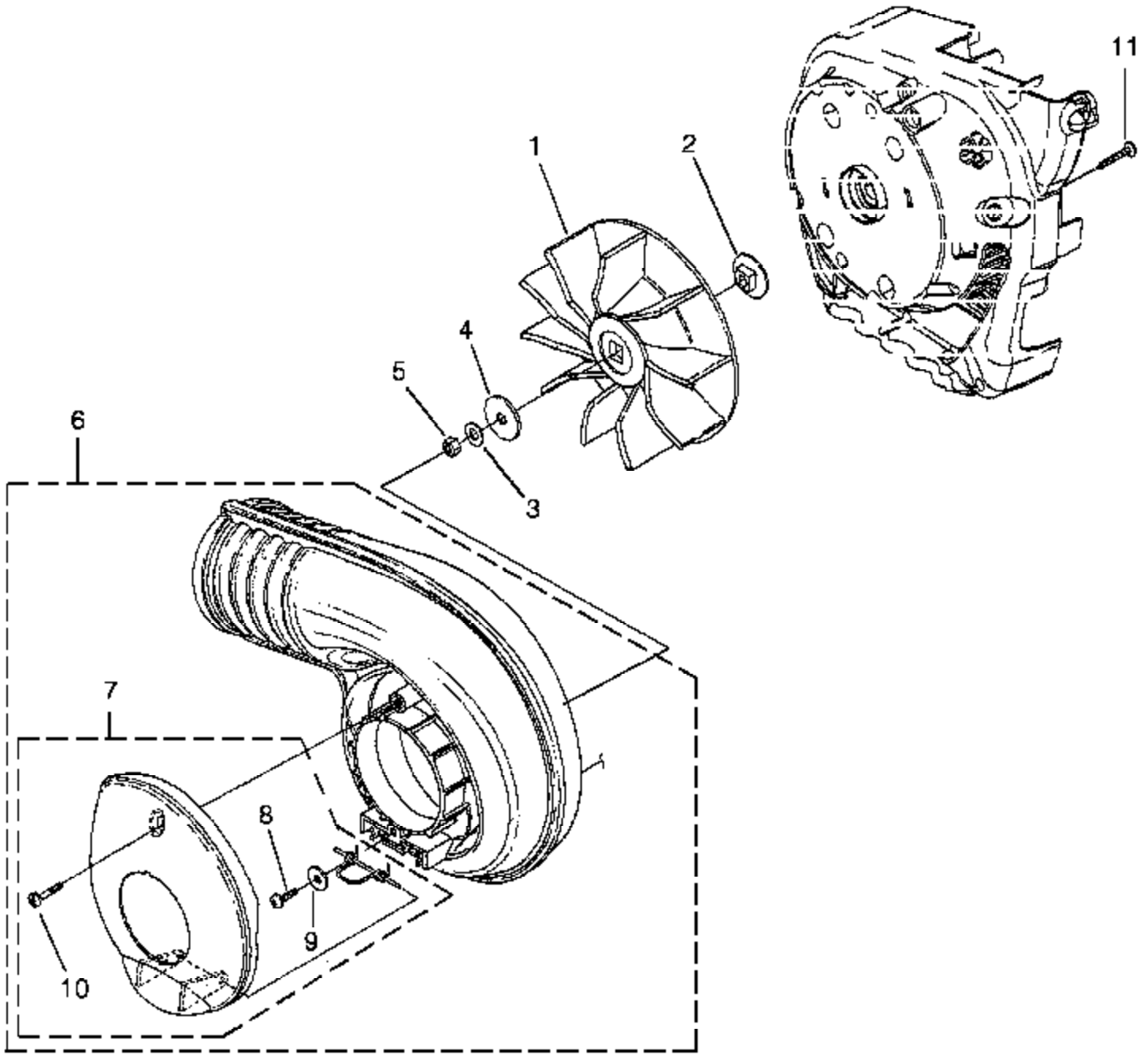


| Ref # | Part Number | Qty | Description  |
|-------|-------------|-----|--|
| E     | UP00497     | 1   | Starter (Svc)  |
| 1     | UP04349     | 1   | Pulley, Starter  |
| 2     | UP03917     | 1   | Spring & Container   |
| 3     | UP03912     | 1   | Rope, Starter 42"  |
| 4     | UP04276     | 1   | Grip, Starter (Black)  |
| 5     | UP03919     | 2   | Bracket-Retaining  |
| 6     | UP03897     | 2   | Screw-Plastite (#10-1/2") Torque Specs 30-40 In/Lbs;<br>3.4-4.5 Nm |
| 7     | UP04319     | 1   | Scroll   |



| Ref # | Part Number | Qty | Description   |
|-------|-------------|-----|---|
| 1     | UP04317     | 1   | Tube, Blower  |
| 2     | UP04324     | 1   | Nozzle, Blower  |
| 3     | A09293      |     | Vacuum Kit  |
| 4     | UP04328     | 1   | Vac Tube, Upper   |
| 5     | UP04329     | 1   | Vac Tube, Lower   |
| 6     | UP04548     | 1   | Bag   |
| 7     | UP06723     | 1   | Shoulder Strap (Optional for UT08107 after S/N MB0660000) |
| 8     | UP06902     | 1   | Air Deflector   |
| 9     | A02514D     | 1   | Gutter Maintenance Kit                                    |
| 10    | UP06830     | 1   | Full Elbow  |
| 11    | UP05618     | 3   | Straight Tube   |
| 12    | UP06836     | 1   | Upper Elbow & Swivel Adapter                              |
| 13    | UP03821     | 1   | Large Clamp   |
| 14    | UP06868     | 1   | Adapter   |
| 15    | UP06835     | 1   | Safety Glasses - Clear                                    |
|       | 18416       |     | Electronic Tachometer Special Tools                       |
|       | 18774       |     | Fuel Mix Tester Special Tools                             |
|       | 23488C      |     | Thread Locking Compound Special Tools                     |
|       | 2498203     |     | T25 Torx Bit 6" Long Special Tools                        |
|       | 94194       |     | Compression Tester Special Tools                          |
|       | JA313164    |     | Spark Tester Special Tools                                |





| Ref # | Part Number | Qty | Description   |
|-------|-------------|-----|---|
| 1     | UP04311     | 1   | Fan   |
| 2     | UP04303     | 1   | Adapter, Fan  |
| 3     | UP03835     | 1   | Washer, Belleville  |
| 4     | UP03873     | 1   | Washer, Flat  |
| 5     | UP03884     | 1   | Nut (3/8-24) Torque Specs 130-150 In/Lbs; 14.7-17.0 Nm                    |
| 6     | UP06899     | 1   | Volute W/Door Assembly  |
| 7     | UP06898     | 1   | Volute Door   |
| 8     | UP03897     | 1   | Screw, Thread Forming (10-14 X 1/2) Torque Specs 30-40 In/Lbs; 3.4-4.5 Nm |
| 9     | UP03909     | 1   | Washer  |
| 10    | UP04547     | 1   | Screw, Machine (10-24 X 3/4) Torque Specs 15-20 In/Lbs; 1.7-2.3 Nm        |
| 11    | UP03895     | 5   | Screw, Plastite (10-14 X 7/8) Torque Specs 35-45 In/Lbs; 4.0-5.0 Nm       |