

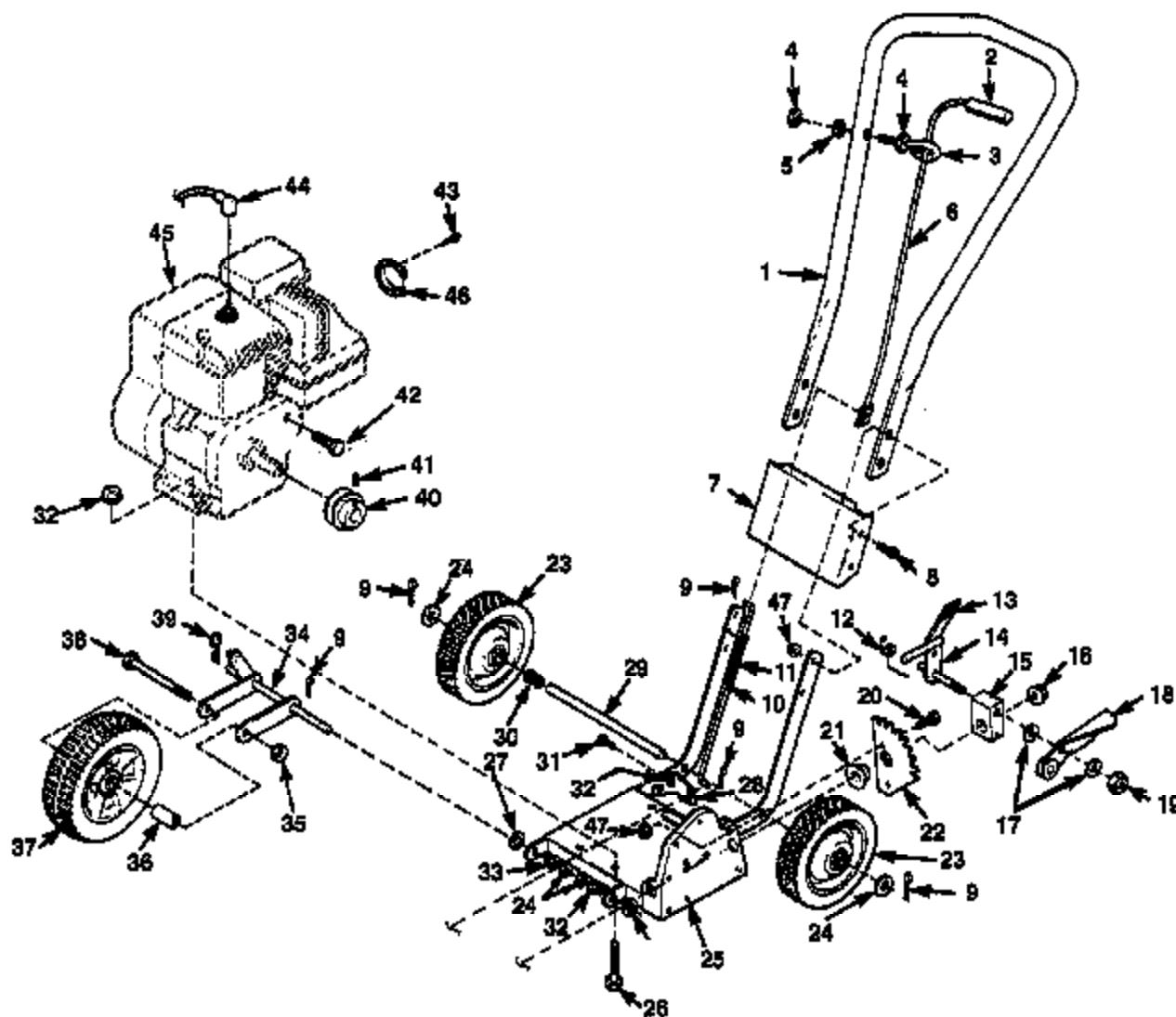
# **Homelite®**

## **PARTS LIST**

# **EDGER**

## **E300-HD** (UT22086-B)

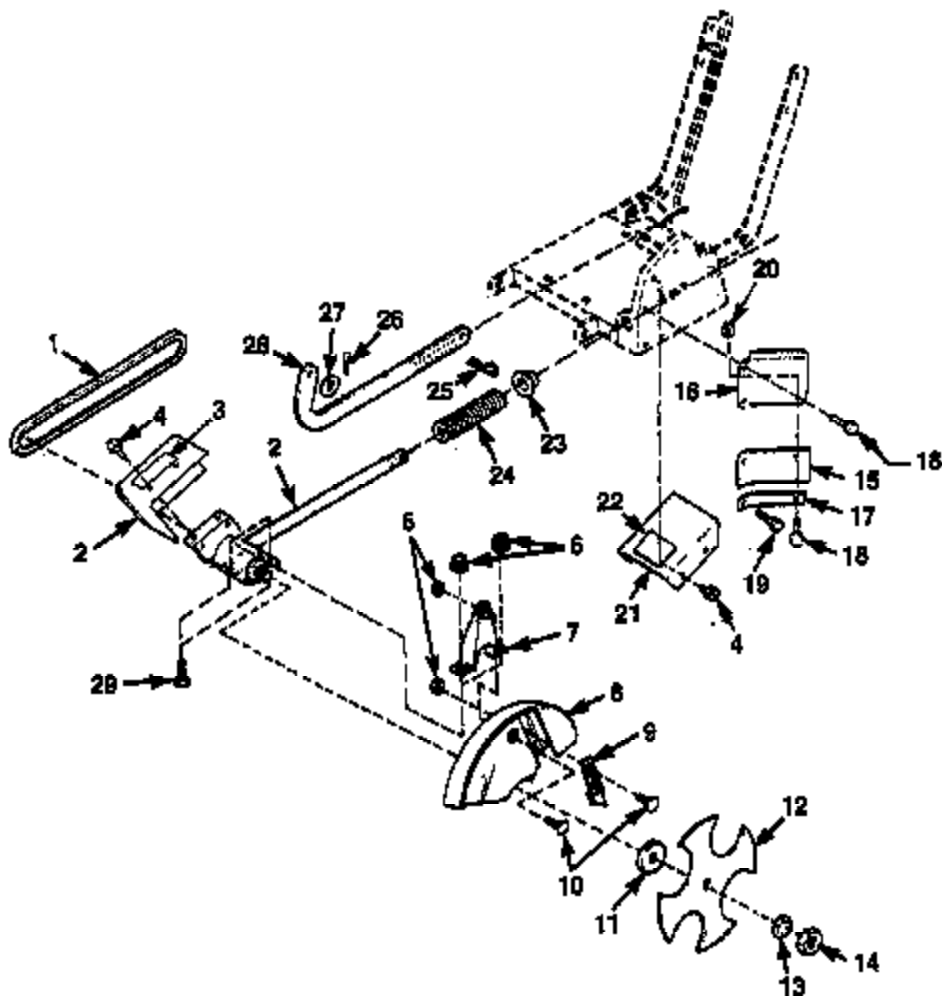
**PART NO. 19177**  
Printed in U.S.A.



No.	Part No.	Description	Qty
1	01240-1	HANDLE-Edger	1
2	01259-20	GRIP-Depth Control	1
3	JA-35453-2	EYE BOLT	1
4	81242	NUT-Hex (1/4-20)	2
5	83081	WASHER	1
6	01243	CONTROL-Depth	1
7	A-01259-18	COVER-Handle	1
8	88078	SCREW-Set (1/4-20 X 1")	4
9	88303	PIN-Cotter	6
10	01259-17	ROD-Lower Depth Control	1
11	01259-25	SPRING-Depth Control	1
12	01259-29	SPRING-Angle Adjusting	1
13	01259-26	GRIP-Angle Adjusting	1
14	01259-14	LEVER-Angle Adjusting	1
15	01259-39	CLAMP-Angle	1
16	81245	NUT-Hex	1
17	84010	WASHER-Flat	2
18	01259-16	LEVER-Clutch	1
19	81218	NUT	1
20	82335	SCREW-Set Hex Hd.	2
21	01259-11	BUSHING-Nylon (3/4")	1
22	01259-09	COMB-Angle Adjusting	1
23	JA-99385-6	WHEEL & TIRE	2
24	84091	WASHER-Flat	7
25	01259-01	FRAME-Main	1

No.	Part No.	Description	Qty
26	80087	SCREW-Cap Hex Hd.	4
27	01259-27	RETAINER-Bushing	2
28	01259-02	BRACKET-Depth Control	1
29	01259-05	AXLE-Rear	1
30	01259-22	SPRING-Axle	1
31	80085	SCREW (5/16-18 X 1")	4
32	81235	NUT-Hex w/Washer	8
33	01259-21	BUSHING-Nylon	2
34	01259-03	BRACKET-Front Wheel	1
35	81245	NUT-Hex	2
36	01259-08	SPACER-Axle	1
37	01252	WHEEL-Front	1
38	A-40042-2	SCREW (1/2-13 X 4")	1
39	JA-46031-2	PIN-Cotter Hair	2
40	01259-38	PULLEY-Engine	1
41	82390	SCREW-Set (5/16-18 X 3/8")	1
42	01259-40	SCREW (5/16-24 X 1/2")	1
43	82474	SCREW-Thread Rolling (8-32 X 1/2")	3
44	A-33055	TERMINAL-Hi-Tension	1
45		ENGINE	1
46	06472	DEFLECTOR	1
47	JA-44576-6	NUT (1/4-20)	7

\* For engine replacement parts, locate the engine brand name, model number and type number and consult the appropriate dealer in your area.



No.	Part No.	Description	Qty
1	08741	BELT	1
2	A-01259-48	HEAD-Cutter w/Cutter Guard	1
3	01249	DECAL-Warning	1
4	JA-40890-7	SCREW-(1/4-20 X 1/2")	4
5	JA-44578-8	NUT-(1/4-20)	3
6	81238	NUT-Hex w/Washer	2
7	01259-51	BRACKET-Guard Support	1
8	01259-16	GUARD-Blade	1
9	01259-07	FINGER-Guide	1
10	JA-44166-4	BOLT-Carriage (1/4-20 X 5/8")	3
11	01259-24	WASHER-Dust Shield	1
12	01245	BLADE-Star	1
13	89095	WASHER-Lock (5/8")	1
14	JA-44362-5	NUT-Jam (5/8-18)	1
	*A-01259-50	DEBRIS FLAP ASSEMBLY	1
16	01259-49	FLAP-Debris (Rubber)	1
16	01259-47	SHIELD-Debris	1
17	01259-48	BRACKET-Debris	1
18	80049	SCREW-Hex Hd. (1/4-20 X 5/8")	2
19	80052	SCREW-Hex Hd. (1/4-20 X 3/4")	1
20	JA-44576-8	NUT-(1/4-20)	3
21	A-01259-28	GUARD-Engine Pulley	1
22	01255	DECAL-Safety	1
23	01259-11	BUSHING-Nylon	1
24	01259-10	SPRING-Cutter Head	1
25	JA-48031-2	PIN-Cotter Hair	1
26	88303	PIN-Cotter	1
27	84091	WASHER-Flat	1
28	01259-04	RATCHET-Depth Control	1
29		SCREW-(5/16-18)	2

\* ASSEMBLY

**CUSTOMER ASSISTANCE**  
 FOR THE LOCATION OF YOUR NEAREST HOMELITE SERVICING DEALER  
 IN THE UNITED STATES, PUERTO RICO, AND THE VIRGIN ISLANDS,  
**CALL: 1-800-242-4672**

**BUREAU PRINCIPAL**  


---

**HOMELITE**  
 P.O. BOX 7047  
 CHARLOTTE, N.C. 28241 (U.S.A.)

<b>BUREAUX A L'ETRANGER</b>		<b>BUREAUX AU CANADA</b>
<p><b>PAYS-BAS</b>  <b>HOMELITE</b>            (SIÈGE CENTRAL POUR L'EUROPE, L'AFRIQUE et le MOYEN-ORIENT)            Heverstraat 24            2153 QB Nieuw Venneep            The Netherlands (Pays-Bas)</p>		<p><b>HOMELITE</b>  <b>CANADA</b>            1650 55ème Avenue            Lachine, Québec, Canada            H8T 3J5</p>
<p><b>FRANCE</b>  <b>HOMELITE</b>            B.P. 7011            95050 Cergy-Pontoise Cedex            France</p>	<p><b>AUSTRALIE</b>  <b>HOMELITE</b>  <b>SIÈGE</b>            94 Rushdale Street            Knoxfield, Victoria 3180            Australia</p>	<p>UNIT 212-214, 590 Ebury Place            New Westminster, B.C.            V3M 6K7</p> <p>25-D Voyager Court South            Etobicoke, Ontario            M9W 5M7</p>