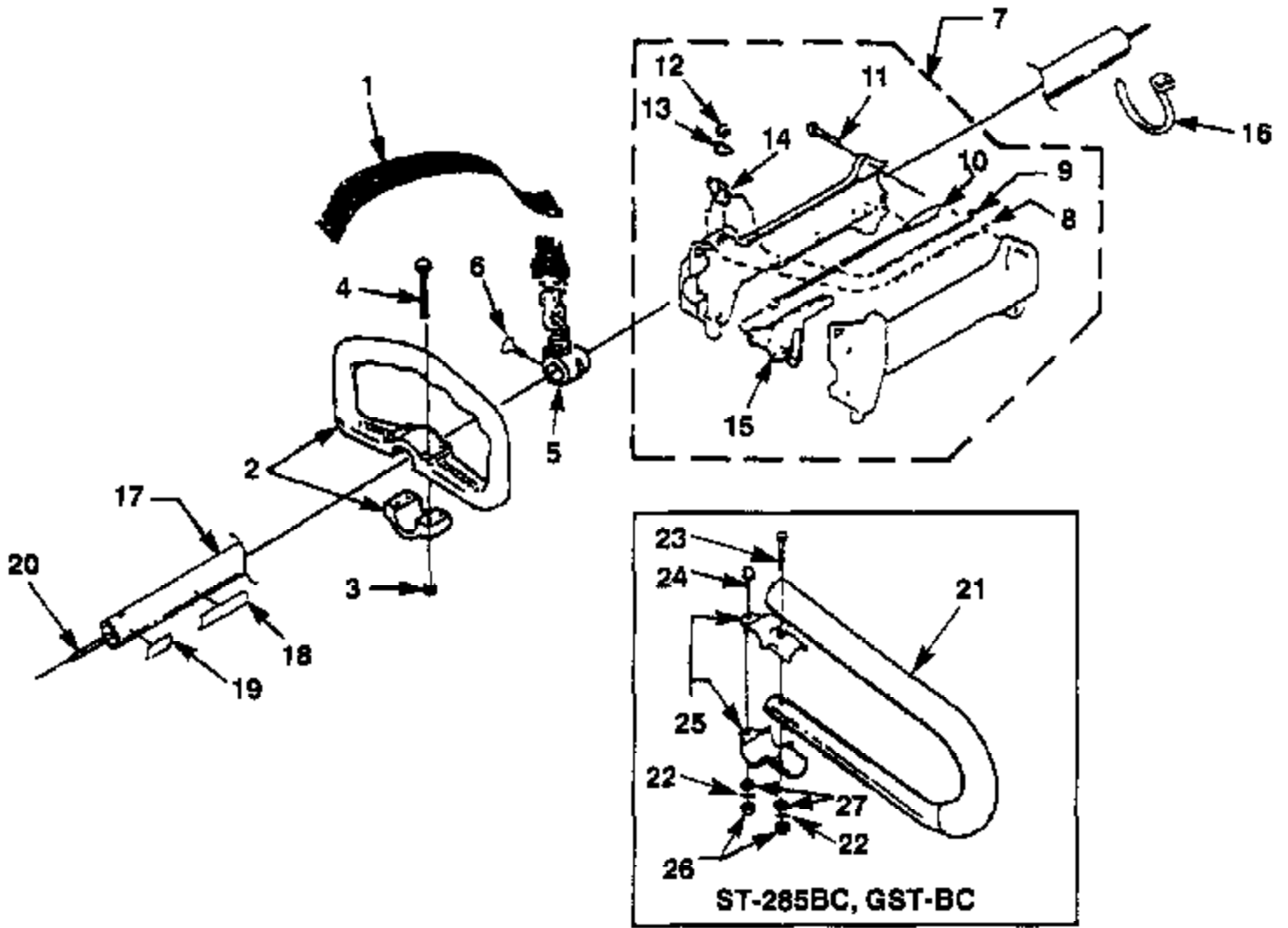
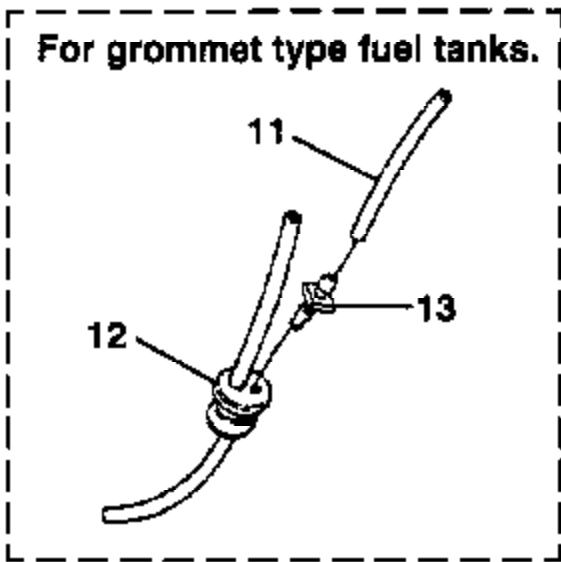
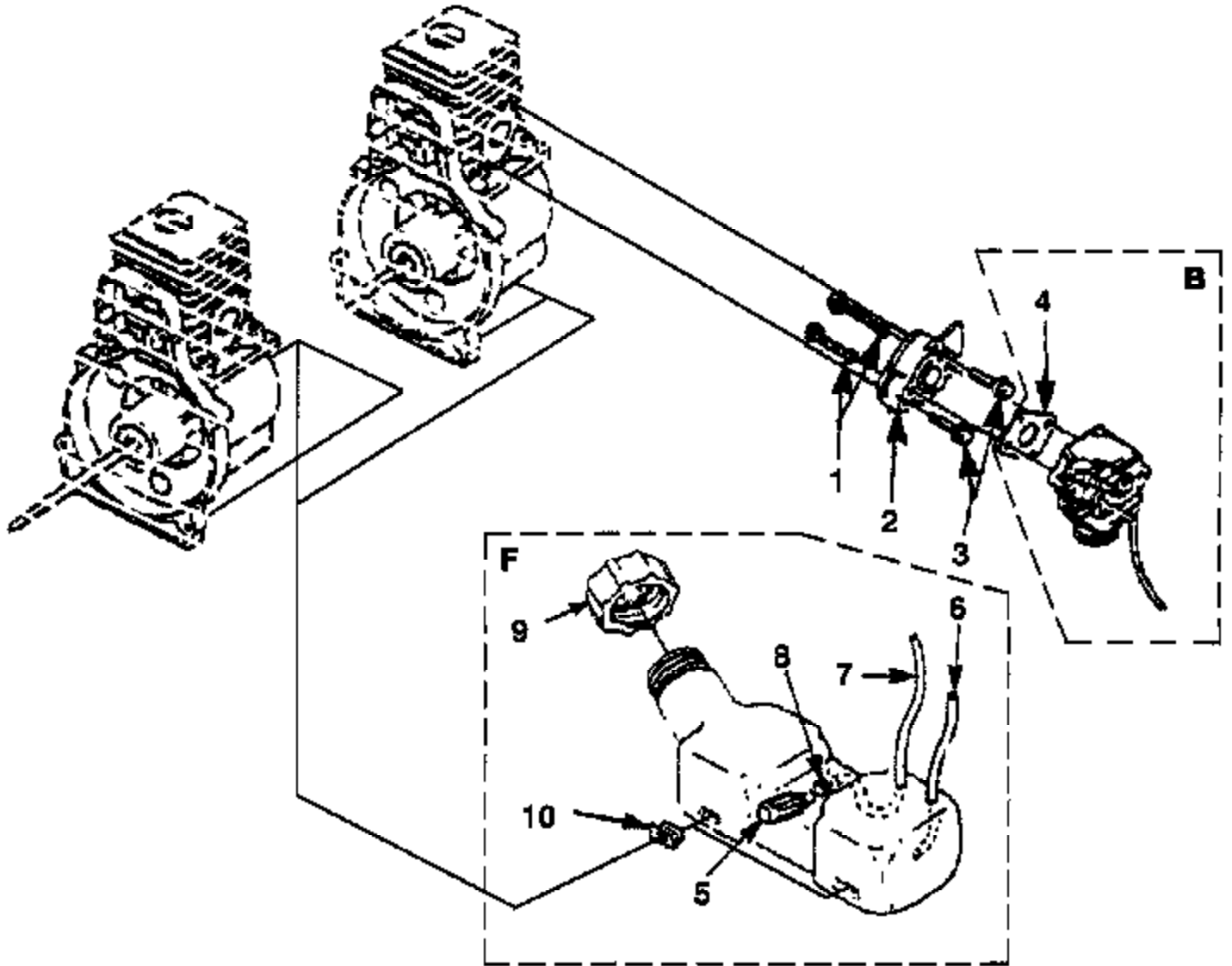


Ref #	Part Number	Qty	Description
1	95110C	1	HANDLE-Front (ST-275, HLT-28)
2	80295	1	SCREW-Hex Hd. (1/4-20 X 2")
3	93992	1	NUT-Wing (1/4-20)
4	A00101A	1	HANDLE GRIP ASSEMBLY (ST-275, HLT-28)
5	98772A	1	TRIGGER
6	A03006	1	CABLE-Throtte
7	82368	5	SCREW-Plastite (8 X 3/4")
8	A039111	1	HANDLE GRIP ASSEMBLY (ST-285BC, GST-BC)
9	98772A	1	TRIGGER
10	72084A1	1	NUT
11	95231	1	PLATE-Indicating
12	93653	1	SWITCH-Toggle
13	82368	5	SCREW-Plastite (8 X 3/4")
14	A03006	1	CABLE-Throttle
15	A03912	1	LEAD-Electrical
16	A98919A	1	LEAD-Ground
17	A04379A	1	HOUSING-Drive Shaft (Black)
18	98818	1	SHAFT-Flexible
19	04458	1	DECAL-Starting Instructions
20	04154	1	DECAL-Warning
21	A04151	1	GEAR HEAD ASSEMBLY (ST-275 UT-20594-1A, HLT-28, ST-285BC, GST-BC)
	A04316	1	GEAR HEAD ASSEMBLY (ST-275 UT-20594-2A)
22	88048	4	SCREW-Hex Hd. (10-24 X 3/8")
23	82568	1	SCREW-Pan Hd. (1/4-20 X 7/8")
24	80869	2	SCREW-Mach. Hex Hd. (10-24 X 3/8")
25	988461	1	DEFLECTOR-Grass
26	02949	1	BLADE-Cut-Off (HLT-28)
	00074	1	BLADE-Cut-Off (ST-275 UT-20594-2A)
	00075	1	BLADE-Cut-Off (ST-275 UT-20594-1A) (ST-285BC, GST-BC)
27	81208	2	NUT (10-24)
28	04168	1	WASHER-Flange
29	9855141	1	ADAPTER-Shaft
30	A98231A	1	HOUSING & EYELET (Dual Line)
31	98848	1	SPRING-Compression
32	DA98912C	1	SPOOL & STRING (Dual Line) (ST-275, ST-285BC, GST-BC)
	DA02598A	1	SPOOL & STRING (Dual Line) (HLT-28)
33	9801105	1	LINE-Replacement (ST-275, ST-285BC, GST-BC) (.080" Dia, 1 lb. Box)
	0395903	1	LINE-Replacement (HLT-28) (.095" Dia., 1 lb. Box)
34	A97910A	1	RETAINER-Spool (L.H.Thread) (Red)
	DA98866A	1	RETAINER-Spool (R.H.Thread) (Black)
35	D98717A	1	TRI-ARC BLADE (ST-285BC, GST-BC)
36	04259	1	WASHER-Flanged (ST-285BC, GST-BC)
37	04277	1	NUT-Hex (L.H.) (ST-285BC, GST-BC)
38	988472	1	GUARD-Blade (ST-285BC, GST-BC)
39	A03552	1	HANDLE BAR ("J") (ST-285BC, GST-BC)
40	94474B	1	GRIP
41	88071	1	SCREW-Hex Hd (1/4-20 X 1 1/2")
42	88078	1	SCREW-Hex Hd (1/4-20 X 1
43	00422	1	CLAMP-Handle Bar
44	83061	1	WASHER (1/4")
45	81267	1	NUT (1/4-20)
46	A03001	1	STRINGHEAD COMPLETE(.080 Line)(ST-275,ST-285BC,GST)(R.H. Thread,Black)

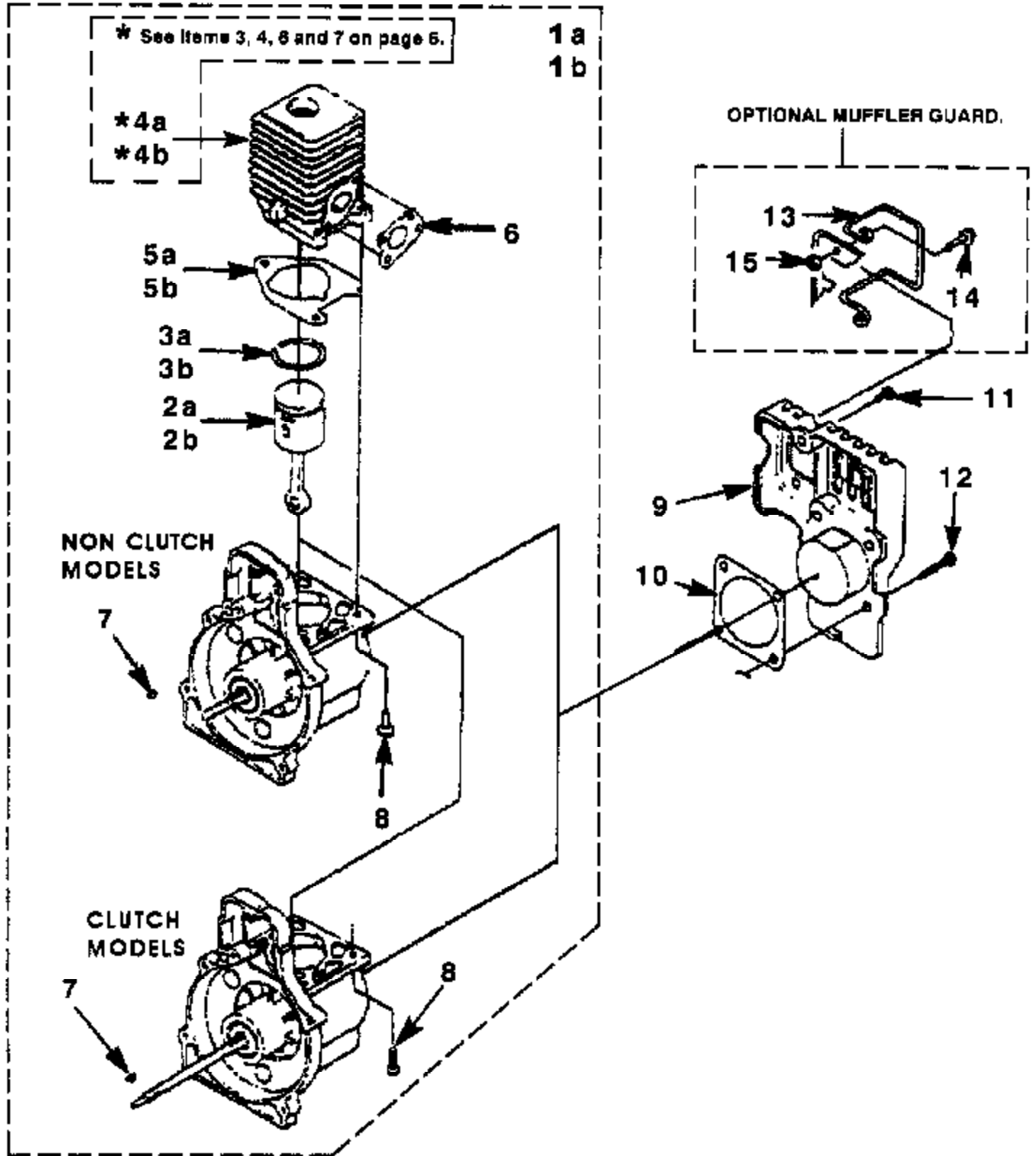
Ref #	Part Number	Qty	Description
	A03174	1	STRINGHEAD COMPLETE(.095 Line) (HLT-28) (L.H. Thread, Black Retainer)
	A04592	1	STRINGHEAD COMPLETE(.080 Line) (ST 275,ST285BC,GST-BC)(L.H. Thread,Bl
	98818		FLEX SHAFT Must be instaled when gearhead is replaced.



Ref #	Part Number	Qty	Description
1	DA92703C	1	HARNESSESS w/Connector ST385-BC, HBC-28
2	A00736	1	HANDLE KIT - Front ST385-BC, HBC-28
3	00677	4	NUT - Hex (M5 X 0.8)
4	00676	4	SCREW - Hex Hd (M5 X 0.8 X 35)
5	A94442	1	BRACKET - Hanger ST385-BC, HBC-28
6	82260	1	SCREW - Thumb (10-24 X 1/2")
7	A039111	1	HANDLE GRIP ASSEMBLY
8	A98919A	1	LEAD - Ground
9	A03912	1	LEAD - Electrical
10	A03006	1	THROTTLE CABLE
11	82368	5	SCREW - Plastite (8 X 3/4") Torque Specs. 15-25 In/Lbs, 1.7-2.8 Nm
12	72084A1	1	NUT - Hex Lock
13	95231	1	PLATE - Indicating
14	93653	1	SWITCH - Toggle
15	08833	1	TRIGGER ST285-BC, GST-BC
16	46840	1	CABLE TIE
17	A03800A	1	HOUSING - Drive Shaft ST385-BC
18	04458	1	DECAL - Starting Instructions
19	04493	1	DECAL - Safety
20	98832	1	DRIVE SHAFT
17	A04863	1	HOUSING - Drive Shaft HBC-28, ST285-BC, GST-BC
18	04458	1	DECAL - Starting Instructions
19	02985	1	DECAL - Warning
20	98818	1	SHAFT - Flexible
21	A07159	1	J-HANDLE BAR KIT ST285-BC, GST-BC
22	83009	2	Washer - Lock
23	82278	1	SCREW - Hex Hd (1/4-20 X 1/2") Torque Specs. 75-85 In/Lbs, 8.5-9.6 Nm
24	82496	1	SCREW - Hex Hd (1/4-20 X 1") Torque Specs. 75-85 In/Lbs, 8.5-9.6 Nm
25	00422	1	CLAMP - Handle Bar ST285-BC, GST-BC
26	81242	2	NUT - Hex (1/4-20)
27	84004	2	WASHER - Flat

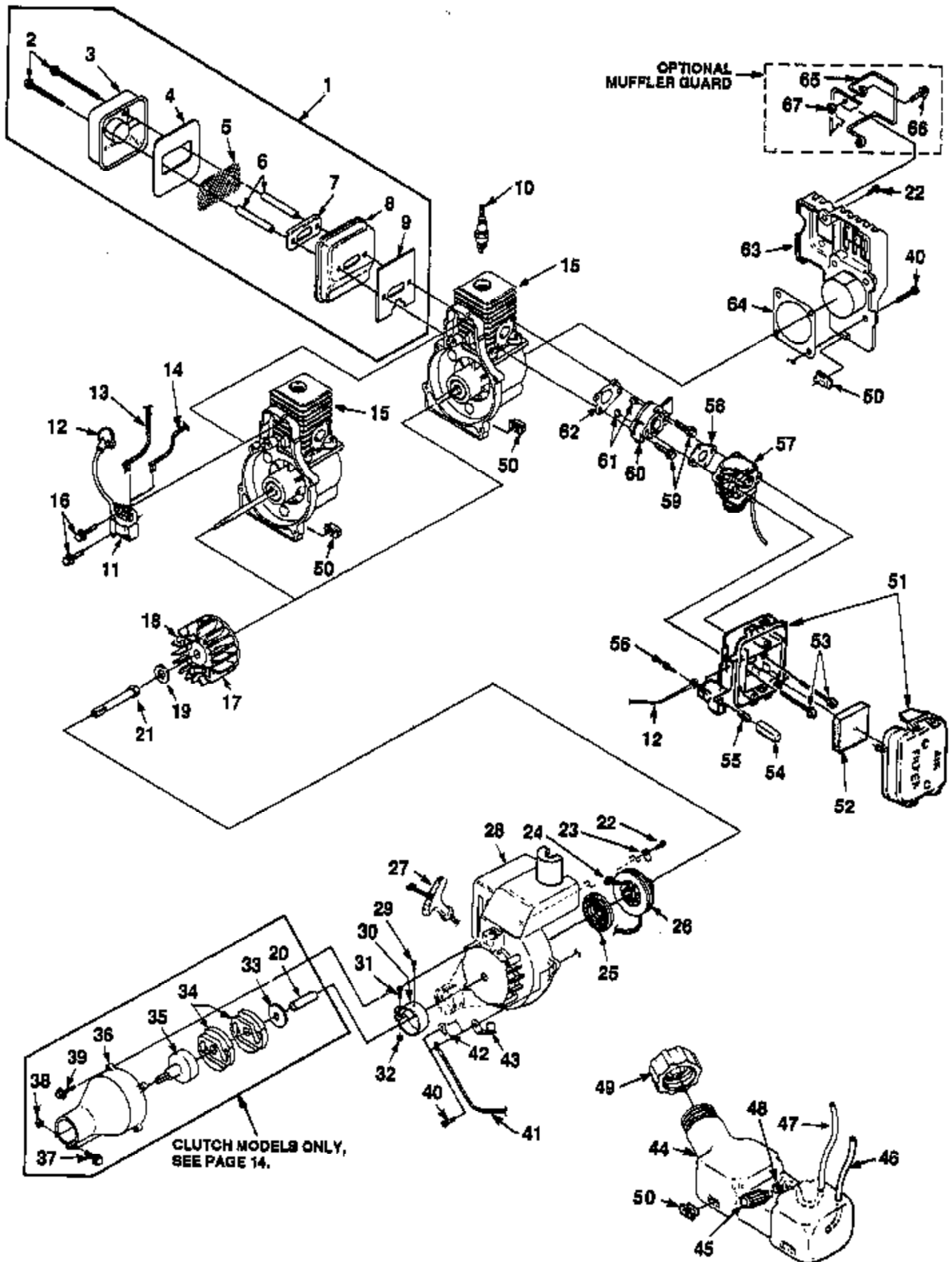


Ref #	Part Number	Qty	Description
1	04474	2	SCREW - Machine (10-24 X 2-1/4") Torque Specs. 30-40 In/Lbs, 3.4-4.5 Nm
2	98768	1	HEAT DAM
3	825491	2	SCREW - Taptite (10-24 X 1") Torque Specs. 40-50 In/Lbs, 4.5-5.6 Nm, Red 262 Required Loctite
B	A04445A	1	CARBURETOR KIT
4	98766A	1	GASKET - Carburetor
F	A04447C	1	FUEL TANK
5	49422	1	FILTER Fuel
6	0143932	1	TUBING - Rubber (8")
7	9477232	1	TUBING - Rubber (8")
8	98268	1	CLAMP - Wire
9	A00982B	1	FUEL CAP
10	98792	3	BUMPER - Rubber
11	0143916	1	TUBING - Rubber (3 X 3/4")
12	07469	1	GROMMET w/Tubing
13	02067	1	FITTING - Fuel



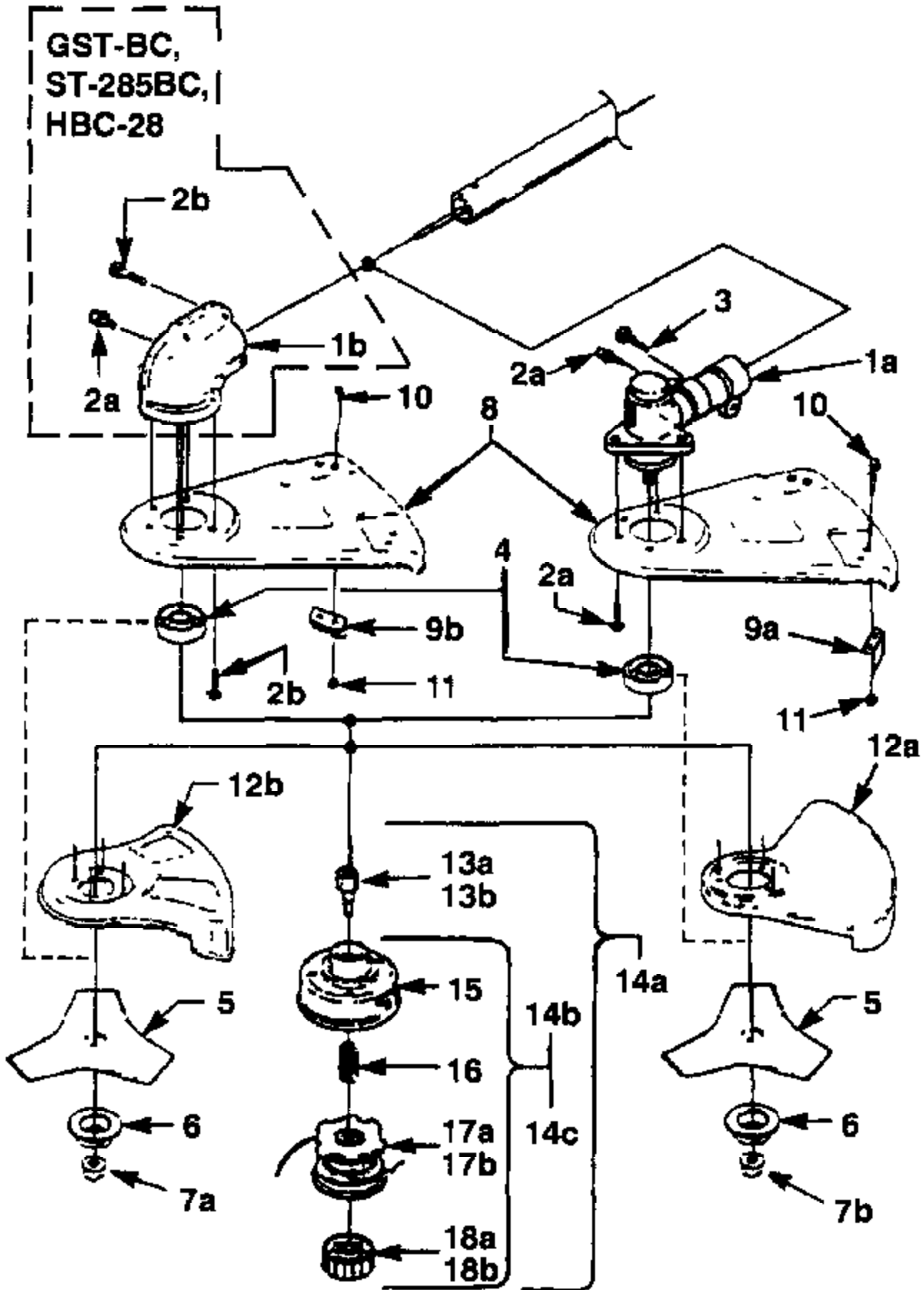


Ref #	Part Number	Qty	Description
1a	A07134	1	SHORT BLOCK (30CC Non Clutch) Short Blocks Include Items 2a-8
1b	A07135	1	SHORT BLOCK (30CC Clutch) Short Blocks Include Items 2a-8
2a	A03599	1	30CC PISTON & ROD
3a	03179	2	RING - Piston
4a	A09058	1	30CC CYLINDER KIT
5a	04388B	1	GASKET - Cylinder
6	08840	1	GASKET - Heat Dam
7	69250	1	KEY - Woodruff
8	825691	3	SCREW - Thread Forming (10-24 X 3/4") Torque Specs. 55-65 In/Lbs, 6.2-7.3 Nm, Red 262 Required Loctite
1c	A09055	1	SHORT BLOCK (25CC Non Clutch) Short Blocks Include Items 2b-8
1d	A09056	1	SHORT BLOCK (25CC Clutch) Short Blocks Include Items 2b-8
2b	A07314	1	25CC PISTON & ROD
3b	96935	1	RING - Piston
4b	A07145	1	25CC CYLINDER KIT
5b	04388B	1	GASKET - Cylinder
6	08840	1	GASKET - Heat Dam
7	69250	1	KEY - Woodruff
8	825691	3	SCREW - Thread Forming (10-24 X 3/4")
9	A00858	1	CRANKCASE COVER
10	98767A	1	GASKET - Crankcase Cover
11	82541	2	SCREW - Plastite (#10 X 1/2") Torque Specs 30-40 In/Lbs, 3.4-4.5 Nm
12	82538	4	SCREW - Taptite (10-24 X 1/2") Torque Specs. 25-30 In/Lbs, 2.8-3.4 Nm, Red 262 Required Loctite
13	A00254A	1	WIRE GUARD KIT
14	88049	2	SCREW - Hex Sems (10-24 X 1/2") Torque Specs 40-50 In/Lbs, 4.5-5.6 Nm
15	81208	2	NUT (10-24)

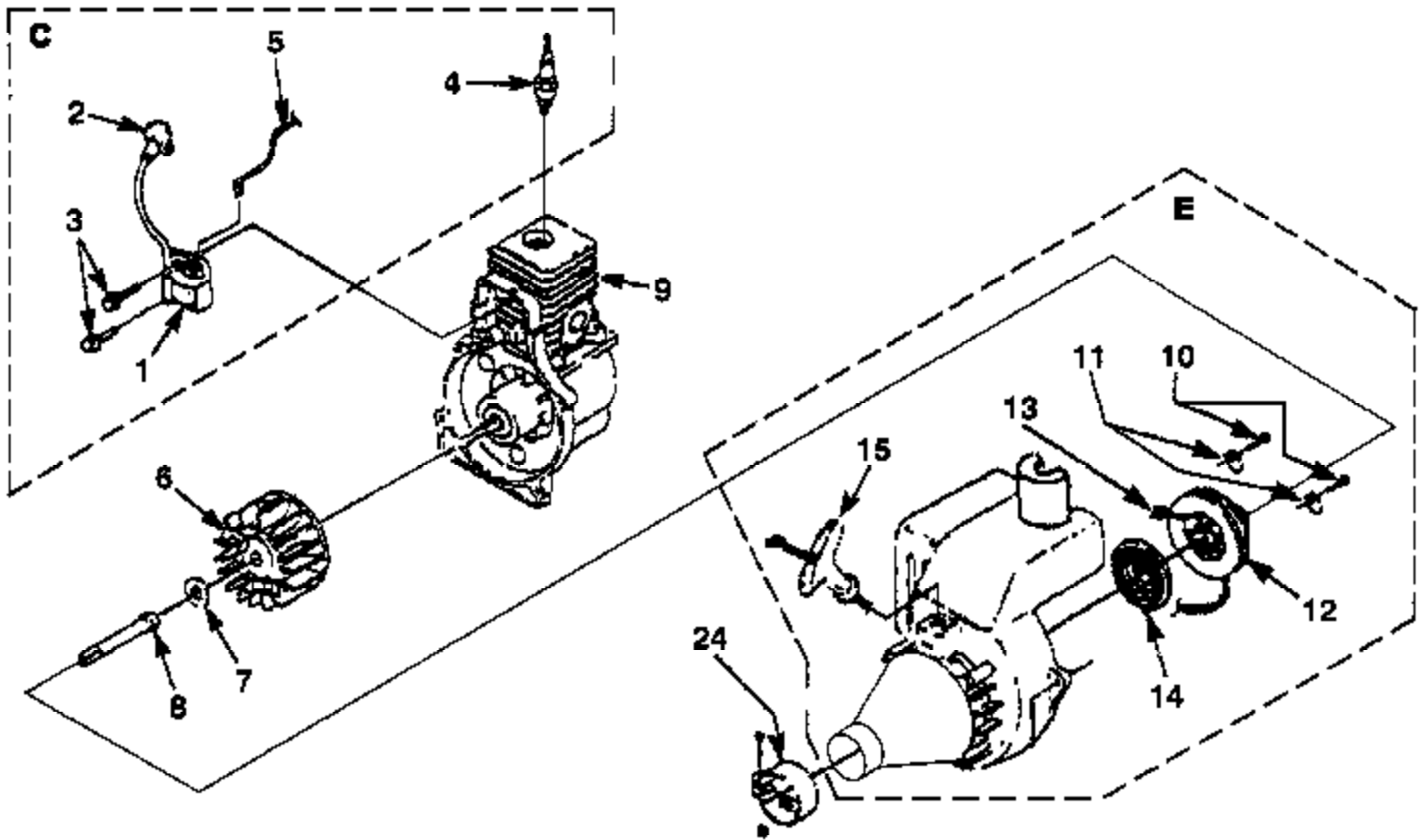


Ref #	Part Number	Qty	Description
1	A01123	1	MUFFLER- Complete
2	88060	2	SCREW- Sems Hex Hd (10-24 X 2 1/2")
3	A98780	1	COVER- Muffler
4	98782	1	BAFFLE- Muffler
5	98784A	1	SCREEN- Spark
6	98860A	2	SPACER- Muffler
7	98783	1	PLATE- Reinforcing
8	A01323	1	BODY- Muffler
9	98786B	1	GASKET- Muffler
	A04446	1	IGNITION KIT
10	96169S	1	SPARK PLUG (DJ7Y)
11	94711CS	1	MODULE- Ignition
12	A33055	1	TERMINAL- High-Tension
13	A00681	1	LEAD-Electrical (ST-185BC, GST-BC, ST-285BC, ST-385BC, HBC-18, HBC-30)
14	A98809	1	LEAD-Electrical (ST-155,SX-135,ST-175G,HLT-15,ST-275,GST,HGT,HLT-16
15		1	SHORT BLOCK
16	82540	2	SCREW- Taptite (8-32 X 1")
17	A00856	1	ROTOR KIT (ST-185BC, GST-BC
18	A70285E	1	KIT- Starter Pawl
19	95479A	1	WASHER- Flat
20	035662	1	SPACER
17	A00857	1	ROTOR KIT (ST-285BC, ST-385BC, HBC-18, HBC-30)
18	A70285E	1	KIT- Starter Pawl
19	95479A	1	WASHER- Flat
20	035661	1	SPACER
17	A04158	1	ROTOR KIT (ST-155, SX-135,ST-175G,HLT-15,ST-275,GST,HGT,HLT-16,HLT-1
18	A70285E	1	KIT- Starter Pawl
19	84065	1	WASHER- Flat (5/16") (ST-155,SX-135,ST-175G,HLT-15,ST-275,HLT-18,HLT-1
21	98795A	1	CONNECTOR- Drive (ST-155,SX-135,ST-175G,HLT-15,ST-275,GST,HGT,HLT-16
	A01083A	1	COMPLETE STARTER ASSEMBLY
22	82541	4	SCREW- Plastite (#10 X 1/2")
23	98791	1	BRACKET- Retaining
24	9789902	1	ROPE- Starter (42")
25	A98773	1	SPRING & CONTAINER
26	98770	1	PULLEY- Starter
27	02264	1	GRIP- Starter
28	A02575C	1	HOUSING- Engine (ST 155,SX-135,ST-175G,HLT-15,ST-275,GST,HGT,HLT-16)
28	A02576C	1	HOUSING-Engine (ST-185BC,GST-BC,ST-285BC,ST-385BC,HBC-18,HBC-30)
29	82522	1	SCREW- Pan Hd. (#10 X 3/8")
30	98802A	1	CLAMP
31	82268	1	SCREW- Hex Sems (10-24 X 3/8")
32	97574	1	NUT- Square
33	98929A	1	WASHER- Clutch (ST-185BC, GST-BC, ST-285BC, ST-385BC, HBC-18, HBC-30)
34	00242	1	CLUTCH (ST-185BC, GST-BC) (ST-285BC, ST-385BC, HBC-18, HBC-30)

Ref #	Part Number	Qty	Description
35	A02727	1	CONNECTOR & DRUM (ST-185BC, GST-BC)
	A03485A	1	CONNECTOR & DRUM (ST-285BC, ST-385BC, HBC-18, HBC-30)
36	A02396A	1	TUBE ADAPTOR (ST-185BC, GST-BC, ST-285BC, ST-385BC, HBC-18, HBC-30)
37	88054	1	SCREW- Sems Hex Hd (10 24 X 1 1/4")
38	81208	1	NUT (10-24)
39	88052	4	SCREW- Sems Hex Hd (10-24 X 7/8")
40	82538	7	SCREW- Taptite (10-24 X 3/4")
41	A98919A	1	LEAD- Ground
42	02851	1	TERMINAL
43	A98808	1	BRACKET Cable
44	A04447	1	TANK- Fuel
45	49422	1	FILTER- Fuel
46	0143932	1	TUBING- Rubber (8")
47	9477232	1	TUBING- Rubber (8")
48	98268	1	CLAMP- Wire
49	A00982A	1	FUEL CAP
50	98792	3	BUMPER- Rubber
51	A04449	1	AIR FILTER BOX
52	D98760A	1	FILTER- Air
53	82542	2	SCREW (10-24 X 2 1/4")
54	98769	1	BUTTON- Switch
55	95020	1	SPRING- Compression
56	93923	1	SCREW- Plastite (#6)
57	A04445	1	CARBURETOR KIT
58	98766A	1	GASKET Carburetor
59	825491	2	SCREW- Taptite (10-24 X 1")
60	98768	1	HEAT DAM
61	81208	2	NUT (10-24)
62	98765B	1	GASKET- Heat Dam
63	A00858	1	CRANKCASE COVER
64	98767A	1	GASKET- Crankcase Cover
65	A00254	1	WIRE GUARD KIT
66	88049	2	SCREW- Hex Sems (10-24 X 1/2")
67	81208	2	NUT (10-24)

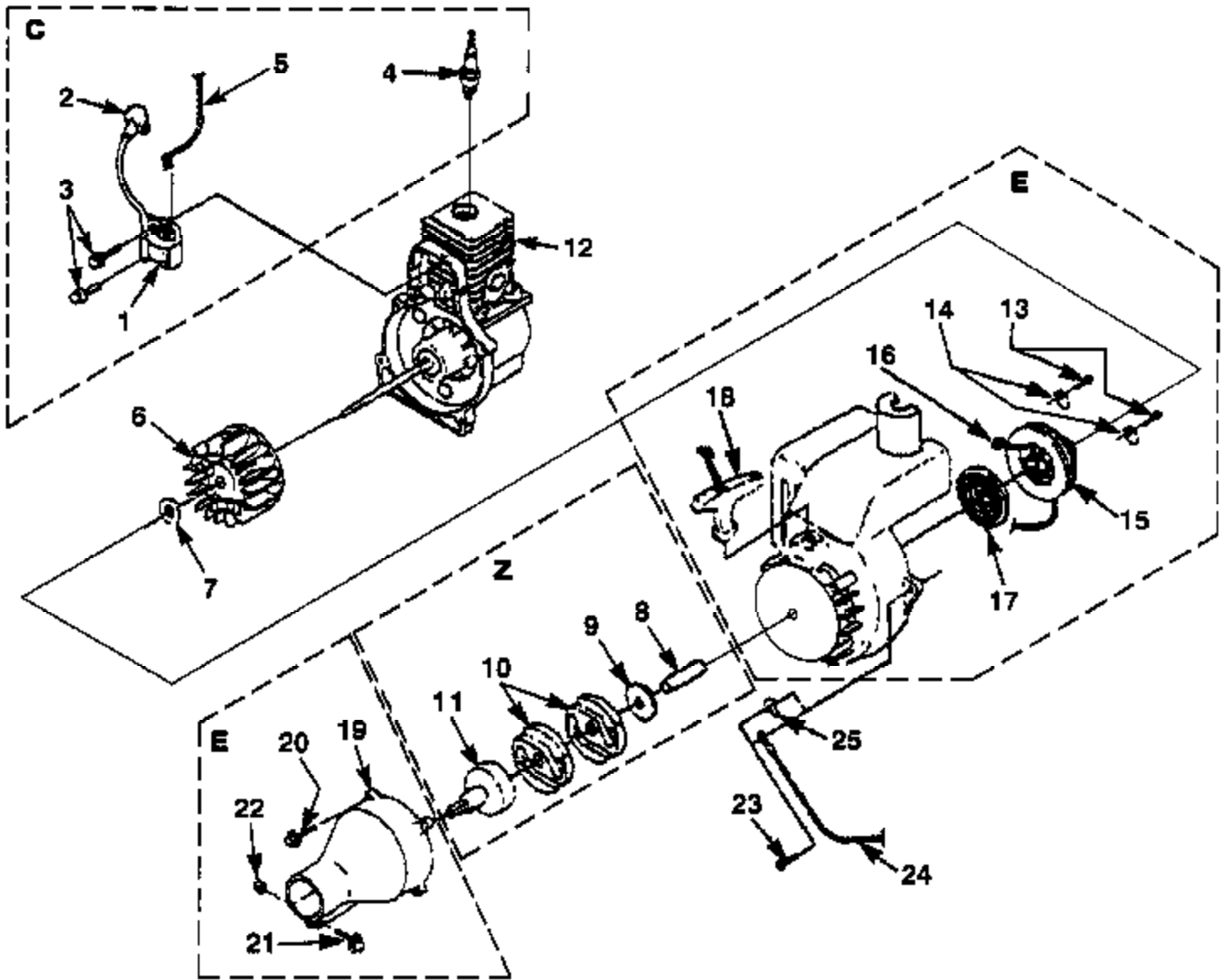


Ref #	Part Number	Qty	Description
1A	A03888	1	GEAR HEAD ST385-BC
1B	A04836C	1	GEAR HEAD ST285-BC, GST-BC, HBC-28; Includes Item #s 4 and 13b.
2A	88049	2	SCREW - Hex Hd (10-24 X 1/2") Torque Specs. 20-30 In/Lbs, 2.3-3.4 Nm, Red 262 Required Loctite
2B	82298	5	SCREW - Hex Hd (10-24 X 5/8") Torque Specs. 20-30 In/Lbs, 2.3-3.4 Nm, Red 262 Required Loctite
2B	82298	2	SCREW - Hex Hd (10-24 x 5/8) ST285-BC, GST-BC, HBC-28
3	96624	1	SCREW - Socket Hd (10-24 X 1") ST385-BC
4	04168A	1	WASHER - Flanged
5	D98717C	1	BLADE - Tri Arc
6	04409	1	WASHER - Cupped, Lower
7A	81282	1	NUT - Hex Locking (R.H.)
7B	04277	1	NUT - Hex Locking (L.H.)
8	A04683A	1	GRASS DEFLECTOR
9A	07076	1	BLADE - Cut Off
9B	00075	1	BLADE - Cut Off
10	80869	2	SCREW - Mach. Hex Hd (10-24 X 3/8") Torque Specs 40-50 In/Lbs, 4.5-5.6 Nm, Red 262 Required Loctite
11	81208	2	NUT - Hex (10-24)
12A	988472	1	BLADE GUARD ST385-BC
12B	044101	1	BLADE GUARD ST285-BC, GST-BC, HBC-28
13A	9855141	1	SHAFT ADAPTOR (L.H.) ST385-BC
13B	04355	1	SHAFT ADAPTOR (R.H.) ST285-BC, GST-BC, HBC-28
14A	DA03174A	1	STRINGHEAD COMPLETE (.095" Line) ST385-BC
14B	DA04591A	1	STRINGHEAD COMPLETE (.095" Line) HBC-28
14C	DA03001A	1	STRINGHEAD COMPLETE (.080" Line) ST285-BC, GST-BC
15	A98231A	1	HOUSING & EYELET
16	00713	1	SPRING - Compression
17A	DA02598C	1	SPOOL & STRING ST385-BC, HBC-28
17B	DA98912E	1	SPOOL & STRING ST285-BC, GST-BC
18A	DA97910C	1	SPOOL RETAINER (L.H.) ST385-BC
18B	DA98866A	1	SPOOL RETAINER (R.H.) ST285-BC, GST-BC, HBC-28

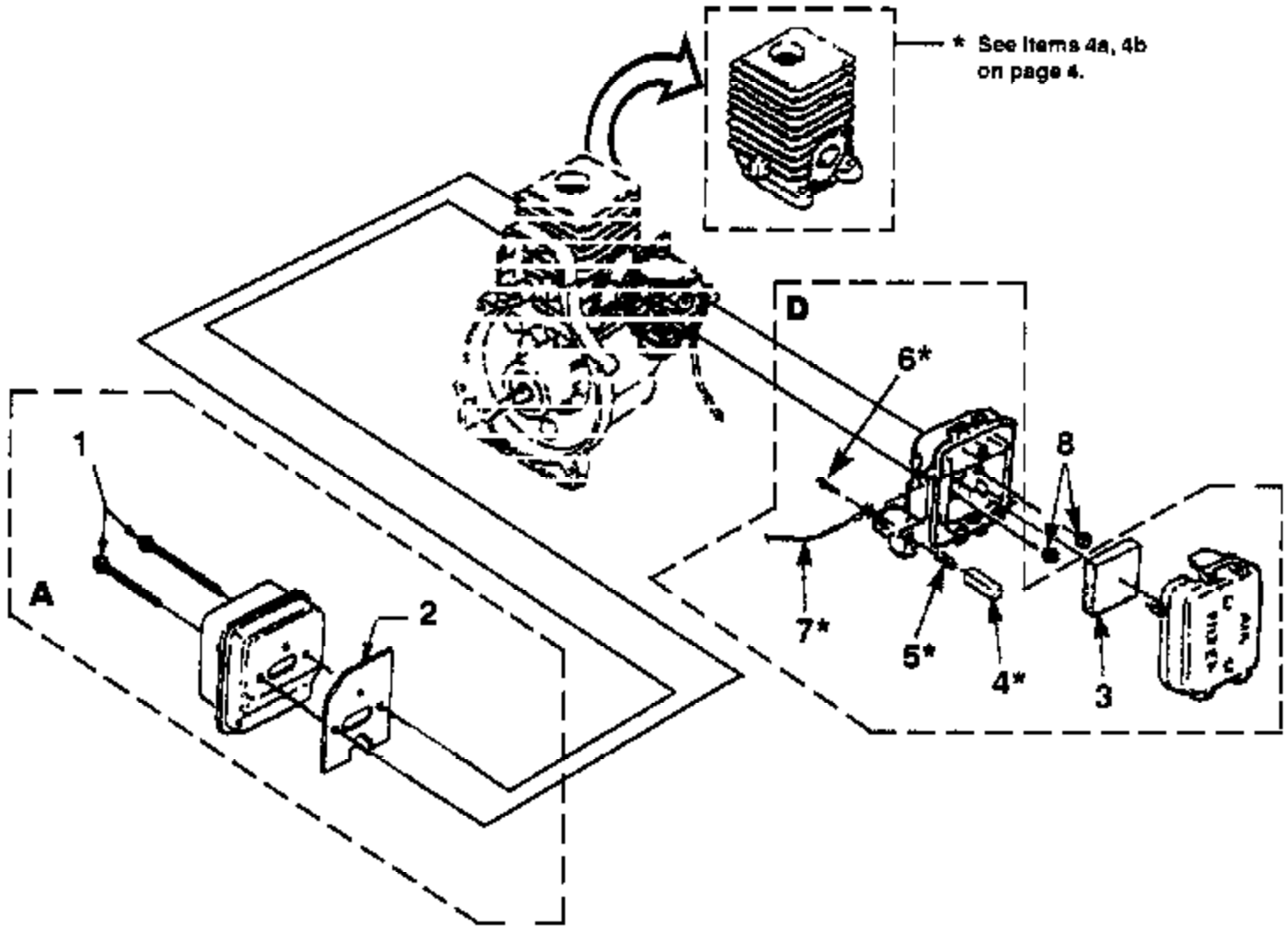


Ref #	Part Number	Qty	Description
C	A04446	1	IGNITION KIT
1	94711CS	1	MODULE - Ignition
2	A33055	1	TERMINAL & COVER
3	82540	2	SCREW - Taptite (8-32 X 1") Torque Specs 30-40 In/Lbs, 3.4-4.5 Nm. Blue 242 Required Loctite
4	96169S	1	SPARK PLUG Torque Specs 120-180 In/Lbs, 13.6-20.3 Nm
5	A07238	1	LEAD - Electrical
6	A04158S	1	ROTOR KIT ST-185BC, GST-BC
7	95479A	1	WASHER - Flat
8	98795A	1	CONNECTOR - Drive
9		1	SHORT BLOCK See "Engine Internal" illustration and parts list, items 1A, 1B.
E	A02575E	1	COMPLETE STARTER ASSEMBLY
10	82541	2	SCREW - Plastiite (#10-1/2") Torque Specs 30-40 In/Lbs, 3.4-4.5 Nm
11	98791	2	BRACKET - Retaining
12	98770A	1	PULLEY - Starter
13	9789902	1	ROPE - Starter (42")
14	A98773A	1	SPRING & CONTAINER
15	02264	1	GRIP - Starter
16	08469	1	CLAMP w/fasteners
24			UNKNOWN

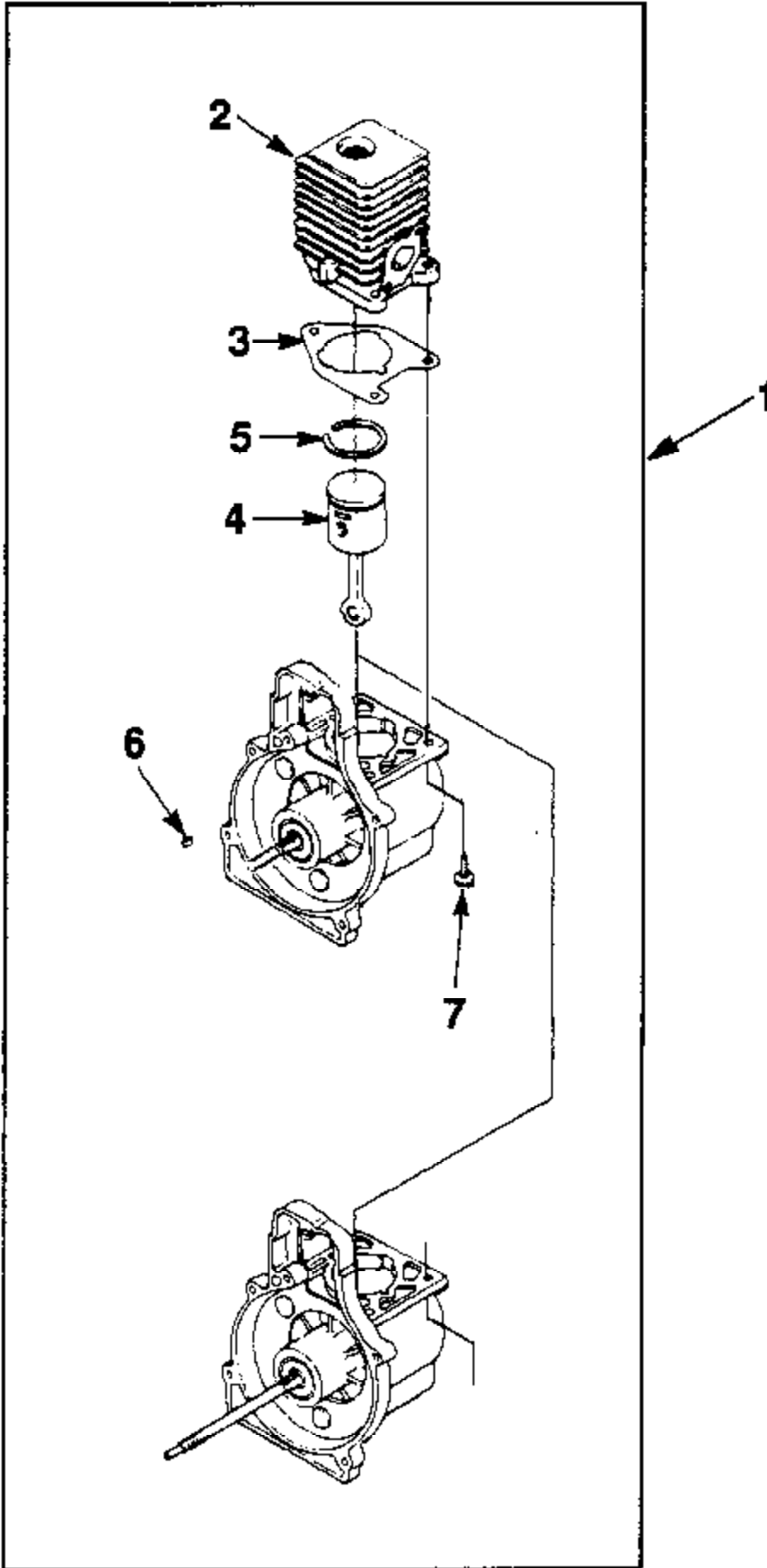




Ref #	Part Number	Qty	Description
C	A04446	1	IGNITION KIT
1	94711CS	1	MODULE - Ignition
2	A33055	1	TERMINAL & COVER
3	82540	2	SCREW - Taptite (8-32 X 1") Torque Specs. 30-40 In/Lbs, 3.4-4.5 Nm, Blue 242 Required Loctite
4	96169S	1	SPARK PLUG Torque Specs. 120-180 In/Lbs, 13.6-20.3 Nm
5	A00681	1	LEAD - Electrical
6	A04158S	1	ROTOR KIT ST-185BC, GST-BC
7	95479A	1	WASHER - Flat
8	035661	1	SPACER Clutch Models
10	98795A	1	CONNECTOR - Drive
Z	A04655	1	CLUTCH AND DRUM KIT ST-285BC, ST-385BC, HBC-18, HBC-30
9	98929A	1	WASHER - Flat
10	00242	2	CLUTCH ST-185BC, GST-BC
10		3	CLUTCH ST-285BC, ST-385BC, HBC 18, HBC 30
11	A03485A	1	CONNECTOR & DRUM ST-285BC, ST-385BC, HBC-18, HBC-30
12		1	SHORT BLOCK See "Engine Internal" illustration and parts list, items 1A, 1B.
E	A04638C	1	COMPLETE STARTER ASSEMBLY
13	82541	2	SCREW - Plastite (#10-1/2") Torque Specs. 30-40 In/Lbs, 3.4-4.5 Nm
14	98791	2	BRACKET - Retaining
15	98770A	1	PULLEY - Starter
16	9789902	1	ROPE - Starter (42")
17	A98773A	1	SPRING & CONTAINER
18	02264	1	GRIP - Starter
19	A02396A	1	TUBE ADAPTER
20	88052	4	SCREW - Hex Hd (10-24 X 7/8") Torque Specs. 30-40 In/Lbs, 3.4-4.5 Nm
21	96624	1	SCREW - Sems Hex Hd (10-24 X 1-1/8")
22	81208	1	NUT (10-24) Torque Specs. 30-40 In/Lbs, 3.4-4.5 Nm
23	82538	4	SCREW - Taptite (10-24 X 3/4") Torque Specs. 55-60 In/Lbs, 6.2-6.8 Nm
24	A98919A	1	LEAD - Ground
25	02851	1	TERMINAL - Male



Ref #	Part Number	Qty	Description
A	A04837	1	MUFFLER COMPLETE
1	88060	2	SCREW - Sems Hex (10-24 X 2-1/2") Torque Specs 40-50 In/Lbs, 4.5-5.6 Nm
2	98786C	1	GASKET - Muffler Also included in 25CC & 30CC Cylinder Kit; See "Engine Internal" Illustration & Parts List, Items 4a & 4b
D	A04707A	1	AIR FILTER KIT
3	D98760B	1	FILTER - AIR
4	98769	1	BUTTON - Switch Not a part of model ST-385 BC
5	95020	1	SPRING - Compression Not a part of model ST-385 BC
6	82513	1	SCREW - Plastite (#6) Not a part of model ST-385 BC; Torque Specs 5-10 In/Lbs, 6-1.1 Nm
7	A07238	1	LEAD - Electrical Not a part of model ST-385 BC
8	81208	2	NUT - Hex (10-24) Torque Specs 40-50 In/Lbs, 4.5-5.6 Nm



Ref #	Part Number	Qty	Description
1	A04742	1	SHORT BLOCK (25 CC Non-Clutch)
	A04743	1	SHORT BLOCK (25 CC w/Clutch)
	A00412	1	SHORT BLOCK (30 CC Non-Clutch)
	A00411	1	SHORT BLOCK (30 CC w/Clutch)
2	A03259	1	CYLINDER & GASKET (25 CC Non-Clutch)
	A03259	1	CYLINDER & GASKET (25 CC w/Clutch)
	A03785A	1	CYLINDER & GASKET (30 CC Non-Clutch)
	A03785A	1	CYLINDER & GASKET (30 CC w/Clutch)
3	04388	1	GASKET-Cylinder (25 CC Non-Clutch)
	04388	1	GASKET-Cylinder (25 CC w/Clutch)
	03703A	1	GASKET-Cylinder (30 CC Non-Clutch)
	03703A	1	GASKET-Cylinder (30 CC w/Clutch)
4	A04258	1	PISTON & ROD (25 CC Non-Clutch)
	A04258	1	PISTON & ROD (25 CC w/Clutch)
	A03705	1	PISTON & ROD (30 CC Non-Clutch)
	A03705	1	PISTON & ROD (30 CC w/Clutch)
5	96935	1	RING-Piston (25 CC Non-Clutch)
	96935	1	RING-Piston (25 CC w/Clutch)
	03179	2	RING-Piston (30 CC Non-Clutch)
	03179	2	RING-Piston (30 CC w/Clutch)
6	69250	1	KEY-Woodruff (25 CC Non-Clutch)
	69250	1	KEY-Woodruff (25 CC w/Clutch)
	69250	1	KEY-Woodruff (30 CC Non-Clutch)
	69250	1	KEY-Woodruff (30 CC w/Clutch)
7	82568	3	SCREW-Torx Pan Hd. (10-24 X 3/4") (25 CC Non-Clutch)
	82568	3	SCREW-Torx Pan Hd. (10-24 X 3/4") (25 CC w/Clutch)
	82569	3	SCREW-Torx Pan Hd. (10-24 X 3/4") (30 CC Non-Clutch)
	82569	3	SCREW-Torx Pan Hd. (10-24 X 3/4") (30 CC w/Clutch)

## ACCESSORIES

**SAW BLADE.....D-98935-A**  
(ST-185BC, GST-BC, ST-285BC,  
ST-385BC, HBC-18, HBC-30)

**GREASE, MULTI-PURPOSE....18453**

**MACHETE BLADE.....DA-00714-A**  
(ST-185BC, GST-BC, ST-285BC,  
ST-385BC, HBC-18, HBC-30)

**THREAD LOCKING COMPOUND..23488-C**

**MODULE AIR GAP SHIM.....24306**

**GRASS ANTI WRAP KIT....A-04191**  
(ST-155, SX-135, ST-175G, HLT-15,  
GST, HGT, HLT-16, HLT-18)

**IGNITION TEST SPARK PLUG..JA-31316-4**

**RUBBER TUBING (10 ft.)....94772-99**

**STARTER ROPE (250 ft. Reel)..98052-A**

**REPLACEMENT STRING (3 lb. Box)..98011-06**  
(.080" Dia.)

**REPLACEMENT STRING (3 lb Box)..03959-04**  
(.095" Dia.)

**TORX BIT (T25).....24982-03**  
(for clutch drums)

**TORX BIT (T27).....18566-01**

**STRINGHEAD- Complete.....A-03001**  
(.080 Line) (Right Hand Thread) (Black  
Retainer) (ST-155, SX-135, ST-175G, HLT-15,  
GST-18, HGT, ST-185BC, ST-275, ST-285BC,  
GST-BC).

**STRINGHEAD- Complete.....A-03174**  
(.095 Line) (Left Hand Thread) (Red Retainer)  
(HLT-28, ST-385BC, HBC-30)

**STRINGHEAD- Complete.....A-04591**  
(.095 Line) (Right Hand Thread) (Black  
Retainer) (HLT-16, HLT-18, HBC-18)

**STRINGHEAD- Complete.....A-04592**  
(.080 Line) (Left Hand Thread) (Red Retainer)  
(ST-275, ST-285BC, GST-BC)

## CLUTCH MODELS

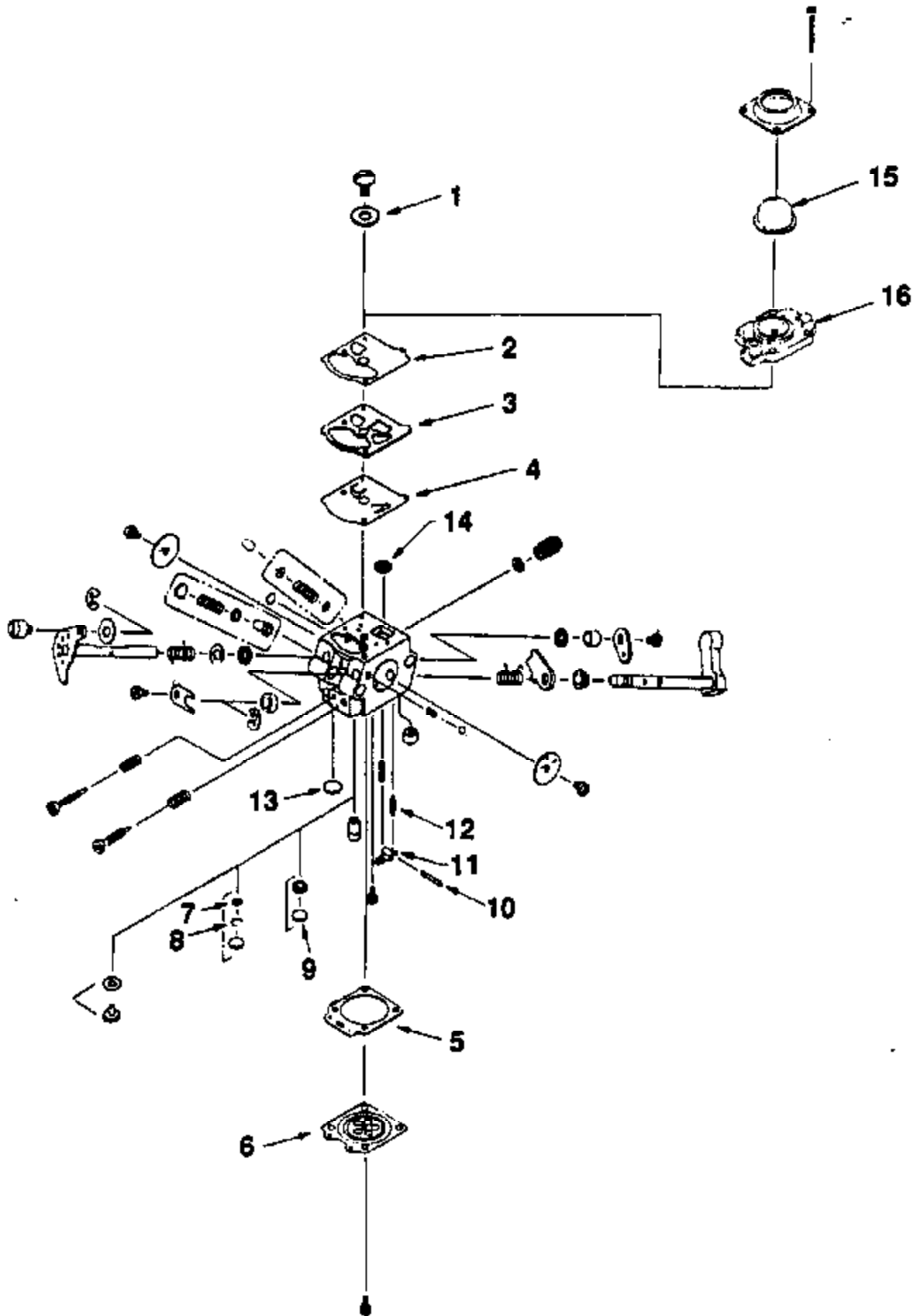
ST-185BC  
ST-285BC  
ST-385BC  
GST-BC  
HBC-18  
HBC-30

## NON-CLUTCH MODELS

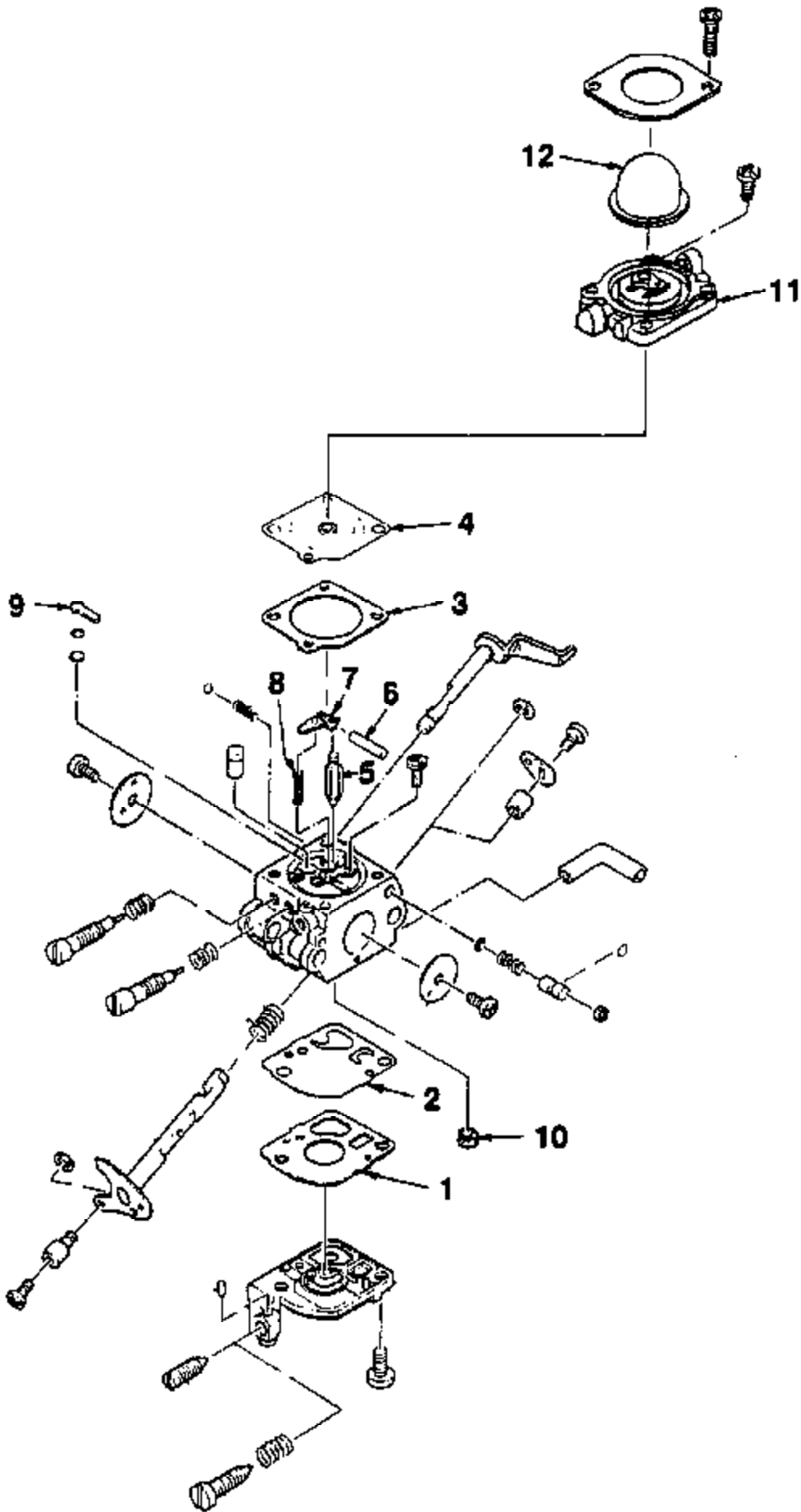
ST-155  
SX-135  
ST-175G  
ST-275  
GST  
HGT  
HLT-15  
HLT-16  
HLT-18  
HLT-28

Ref #	Part Number	Qty	Description
D-98935-A	D98935A	1	SAW BLADE (ST-185BC, GST-BC, ST-285BC, ST-385BC, HBC-18, HBC-30)
18453	18453	1	GREASE, MULTI-PURPOSE
DA-00714-A	DA00714A	1	MACHETE BLADE (ST-185BC,GST-BC,ST-285BC,ST-385BC,HBC-18,HBC-30)
23488C	23488C	1	THREAD LOCKING COMPOUND
24306	24306	1	MODULE AIR GAP SHIM
A-04191	A04191	1	GRASS ANTI WRAP KIT (ST-155,SX-135,ST-175G,HLT-15,GST,HGT,HLT-16,H
JA313164	JA313164	1	IGNITION TEST SPARK PLUG
9477299	9477299	1	RUBBER TUBING (10 ft.)
98052-A	98052A	1	STARTER ROPE (250 ft. Reel)
98011-06	9801106	1	REPLACEMENT STRING (3 lb. Box) (.080" Dia.)
03959-04	0395904	1	REPLACEMENT STRING (3 lb. Box) (.095" Dia.)
24982-03	2498203	1	TORX BIT (T25) (for clutch drums)
18566-01	1856601	1	TORX BIT (T27)
A-03001	A03001	1	STRINGHEAD-Complete (.080 Line)(Right Hand Thread)(Black Retainer)(ST
A-03174	A03174	1	STRINGHEAD-Complete (.095 Line)(Left Hand Thread)(Red Retainer)(HLT-2
A-04591	A04591	1	STRINGHEAD-Complete (.095 Line)(Right Hand Thread)(Black Retainer)(HL
A-04592	A04592	1	STRINGHEAD-Complete (.080 Line)(Left Hand Thread)(Red Retainer)(ST-27





Ref #	Part Number	Qty	Description
1	A02665	1	Repair Kit
2	A02665	1	Repair Kit
	A00285A	1	Gasket/Diaphragm Kit
3	A02665	1	Repair Kit
	A00285A	1	Gasket/Diaphragm Kit
4	A02665	1	Repair Kit
	A00285A	1	Gasket/Diaphragm Kit
5	A02665	1	Repair Kit
	A00285A	1	Gasket/Diaphragm Kit
6	A02665	1	Repair Kit
	A00285A	1	Gasket/Diaphragm Kit
7	A02665	1	Repair Kit
8	A02665	1	Repair Kit
9	A02665	1	Repair Kit
10	A02665	1	Repair Kit
11	A02665	1	Repair Kit
12	A02665	1	Repair Kit
13	A02665	1	Repair Kit
14	A02665	1	Repair Kit
15	01201	1	Primer Bulb
16	A01200A	1	Primer Base
	03176	1	Choke Shaft & Lever



Ref #	Part Number	Qty	Description
1	A03979	1	Repair Kit
	A03980	1	Gasket/Diaphragm Kit
2	A03979	1	Repair Kit
	A03980	1	Gasket/Diaphragm Kit
3	A03979	1	Repair Kit
	A03980	1	Gasket/Diaphragm Kit
4	A03979	1	Repair Kit
	A03980	1	Gasket/Diaphragm Kit
5	A03979	1	Repair Kit
6	A03979	1	Repair Kit
7	A03979	1	Repair Kit
8	A03979	1	Repair Kit
9	A03979	1	Repair Kit
10	A03979	1	Repair Kit
11	A03062	1	Primer Base
12	A01195A	1	Primer Bulb
		1	Choke Shaft & Lever