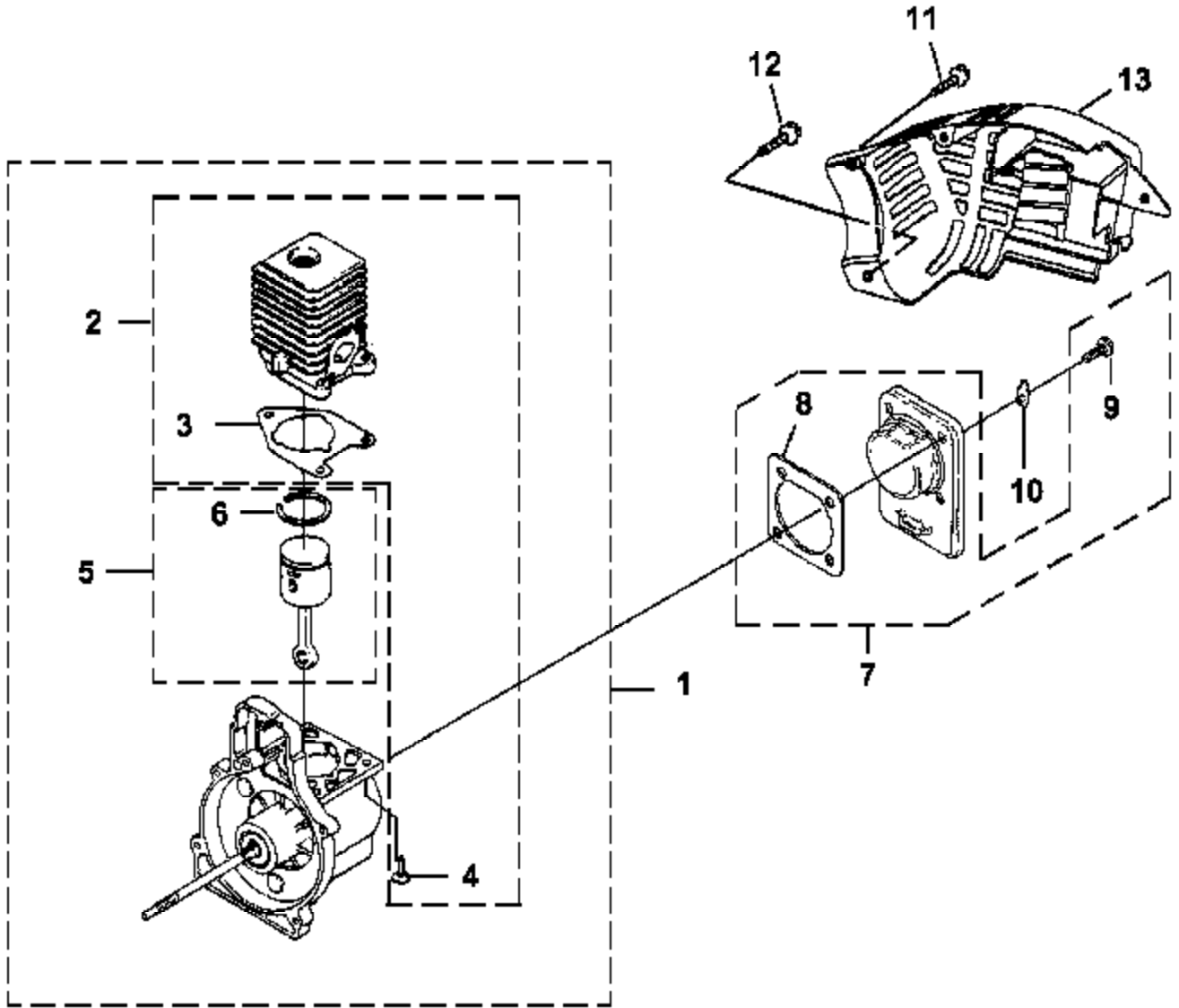
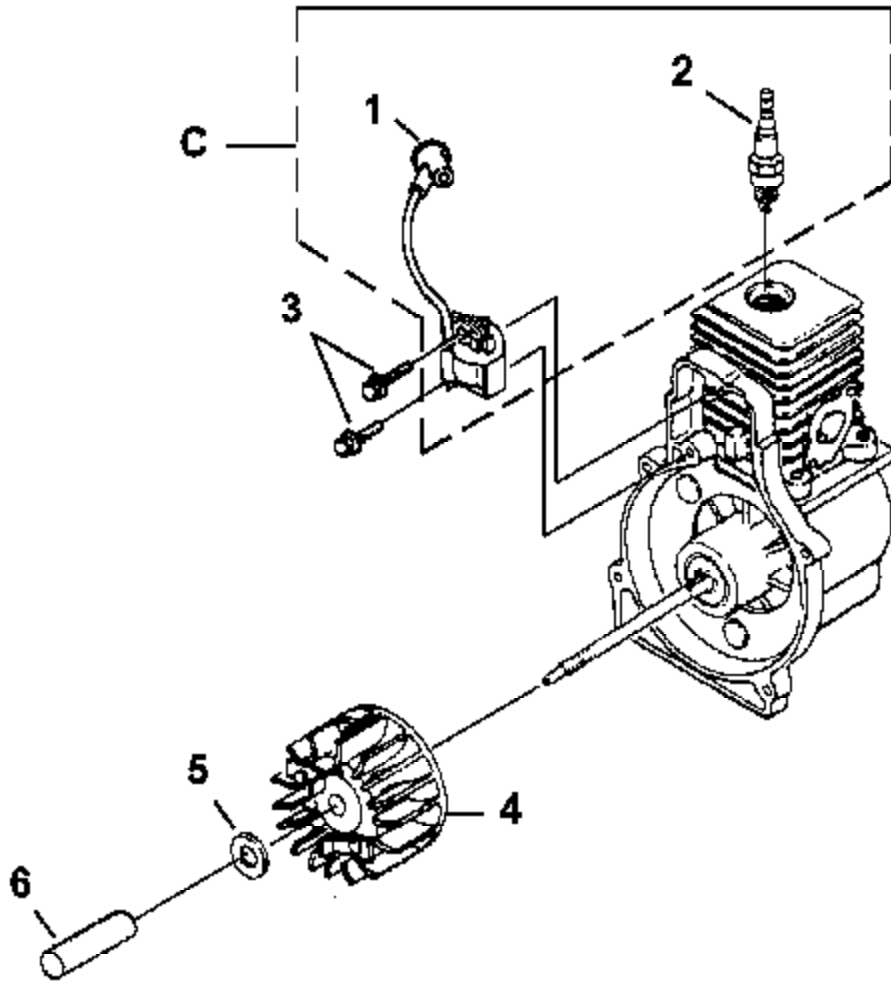


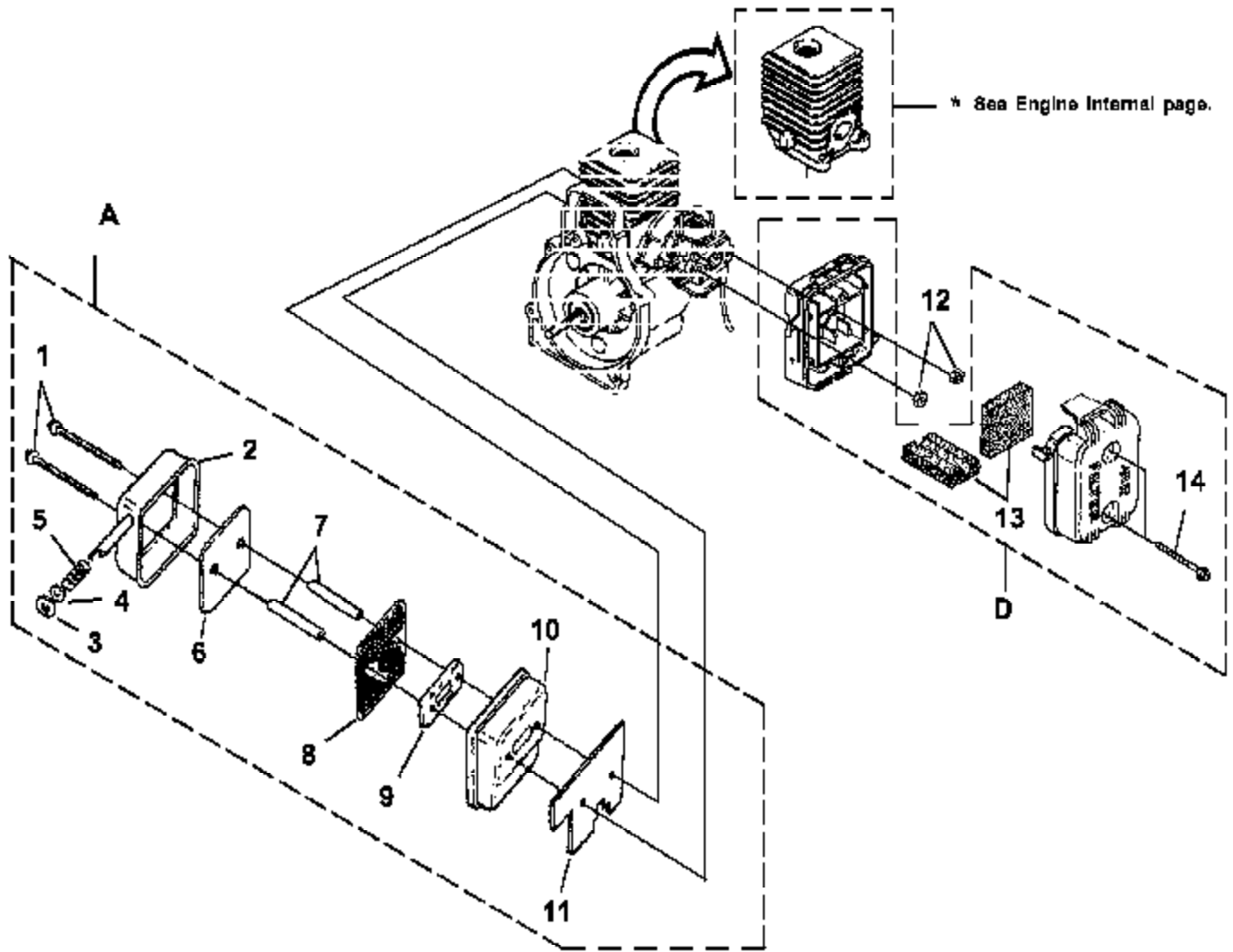
Ref #	Part Number	Qty	Description
F	UP00136	1	FUEL TANK KIT Includes items 1-8
1	UP04708	1	FUEL CAP (1 5/8" Opening)
2	UP03501	3	BUMPER-Rubber
3	UP03825	2	TUBING-Rubber (8")
4	UP03871	1	FUEL FILTER
5	UP03905	1	TUBING-Rubber (8")
6	UP04310	1	Fitting, Inlet (Small for 2.5mm ID fuel line)
	UP03831	1	Fitting, Inlet (Large for 3mm ID fuel line)
7	UP04339	1	INSULATION-Tubing
8	UP03913	1	CLAMP
	UP04335	1	GASKET-Crankcase (Not shown)
	UP04295	4	SCREW, Sems (10-24 x .56) (Not Shown)
B	UP00010	1	CARBURETOR KIT Includes items 9-10
9	UP03915	1	GASKET-Carburetor Also included with Short block & Cylinder Kits.
10	UP03943	1	LEVER-Choke (Walbro WT419,WT469)
B	UP00653	1	CARBURETOR KIT (Bandit 2000, Yardbroom & D25B); Includes items 9-10
9	UP03915	1	GASKET-Carburetor Also included with Short block & Cylinder Kits.
10	UP03941	1	LEVER-Choke (Walbro WT471)
11	UP06780	1	GASKET-Heat Dam Also included with Short block & Cylinder Kits.
12	UP04131	2	SCREW-Thread Form. (10-24 x 1") TORQUE SPECIFICATIONS 30-40 In/Lbs; 3.4-4.5 Nm
13	UP04348	1	HEAT DAM
14	UP04140	2	SCREW, SEMS (10-24 x 1.110) TORQUE SPECIFICATIONS 40-50 In/Lbs; 4.5-5.6 Nm; Required Loctite 262 Red; Also included with Short block & Cylinder Kits.



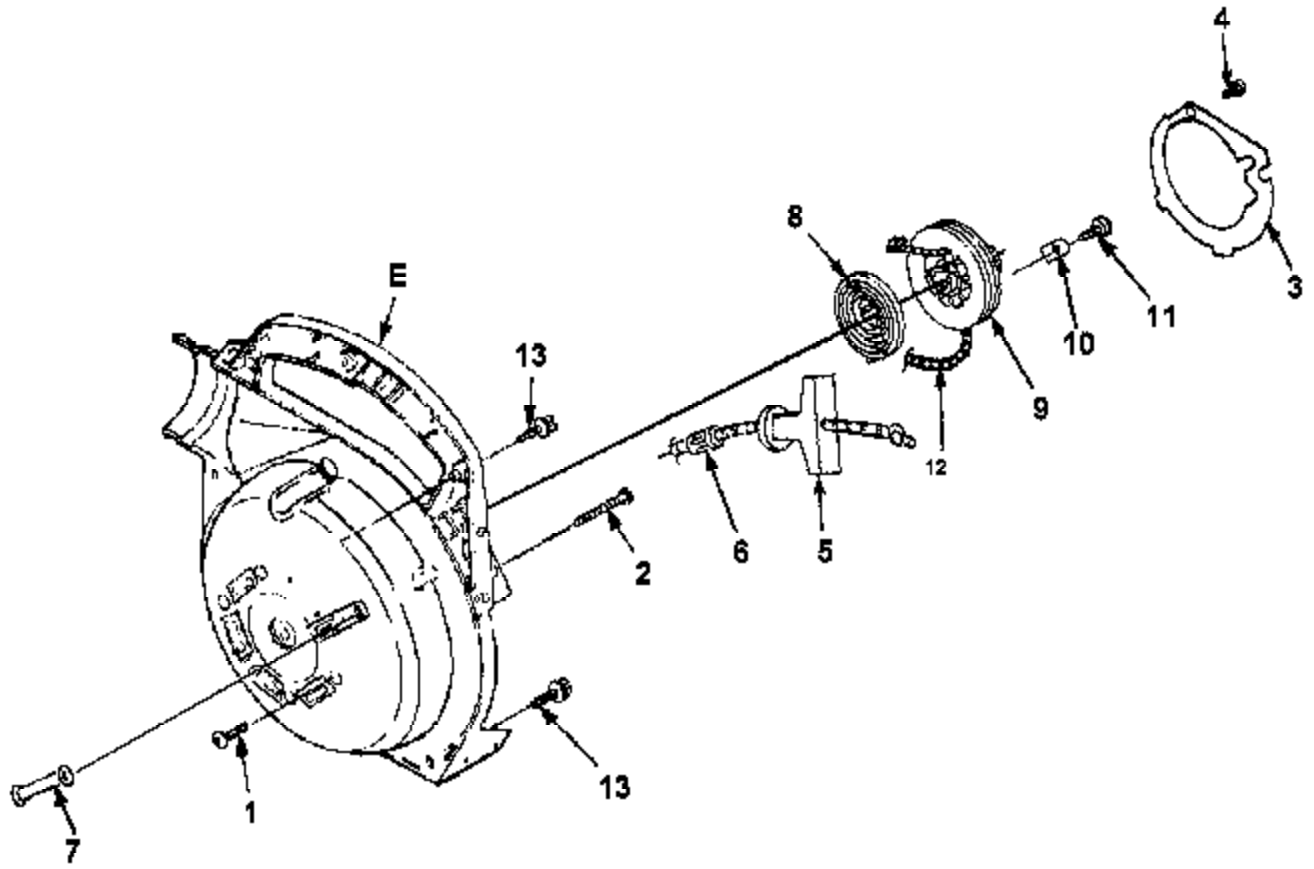
Ref #	Part Number	Qty	Description
1	UP03131	1	SHORT BLOCK (30cc) Includes items 2-6
2	UP07146	1	30 CC CYLINDER KIT Includes items 3-4
3	UP03857	1	GASKET-Cylinder Also included with Short block & Cylinder Kits.
4	UP04345	3	SCREW, SEMS (12-24 x 3/4) TORQUE SPECIFICATIONS 55-65 In/Lbs; 6.2-7.3 Nm; Required Loctite 262 Red
	UP06780	1	GASKET-Heat Dam (Not Shown)
	UP03817	1	GASKET-Muffler (Not Shown)
5	UP03366	1	30 CC PISTON & ROD Includes item 6
6	UP03837	2	RING-Piston
1	UP03133	1	SHORT BLOCK (25cc); Includes items 2-6
2	UP04136	1	25 CC CYLINDER KIT Includes items 3-4
3	UP03857	1	GASKET-Cylinder
4	UP04345	3	SCREW, SEMS (12-24 x 3/4) TORQUE SPECIFICATIONS 55-65 In/Lbs; 6.2-7.3 Nm; Required Loctite 262 Red
	UP06780	1	GASKET-Heat Dam (Not Shown)
	UP03817	1	GASKET-Muffler (Not Shown)
5	UP00768	1	25 CC PISTON & ROD Includes item 6
6	UP03838	1	RING-Piston
7	UP04336	1	CRANKCASE COVER-Stamped Steel Includes items 8-9
8	UP04335	1	GASKET-Crankcase Also included with Short block & Cylinder Kits.
9	UP04295	4	SCREW, SEMS (10-24 x .56) TORQUE SPECIFICATIONS 55-65 In/Lbs; 6.2-7.3 Nm; Required Loctite 262 Red; Also included with Short block & Cylinder Kits.
10	UP03834	1	TAB-Male
11	UP03893	3	SCREW-Thread Form. (#8 X 1/2") TORQUE SPECIFICATIONS 8-12 In/Lbs; .9-1.4 Nm
12	UP03900	6	SCREW-Thread Form. (#10 X 3/4") TORQUE SPECIFICATIONS 20-30 In/Lbs; 2.3-3.4 Nm
13	UP06522	1	SHROUD
	UP06779	1	SHROUD-Flocked (HB390-VI)



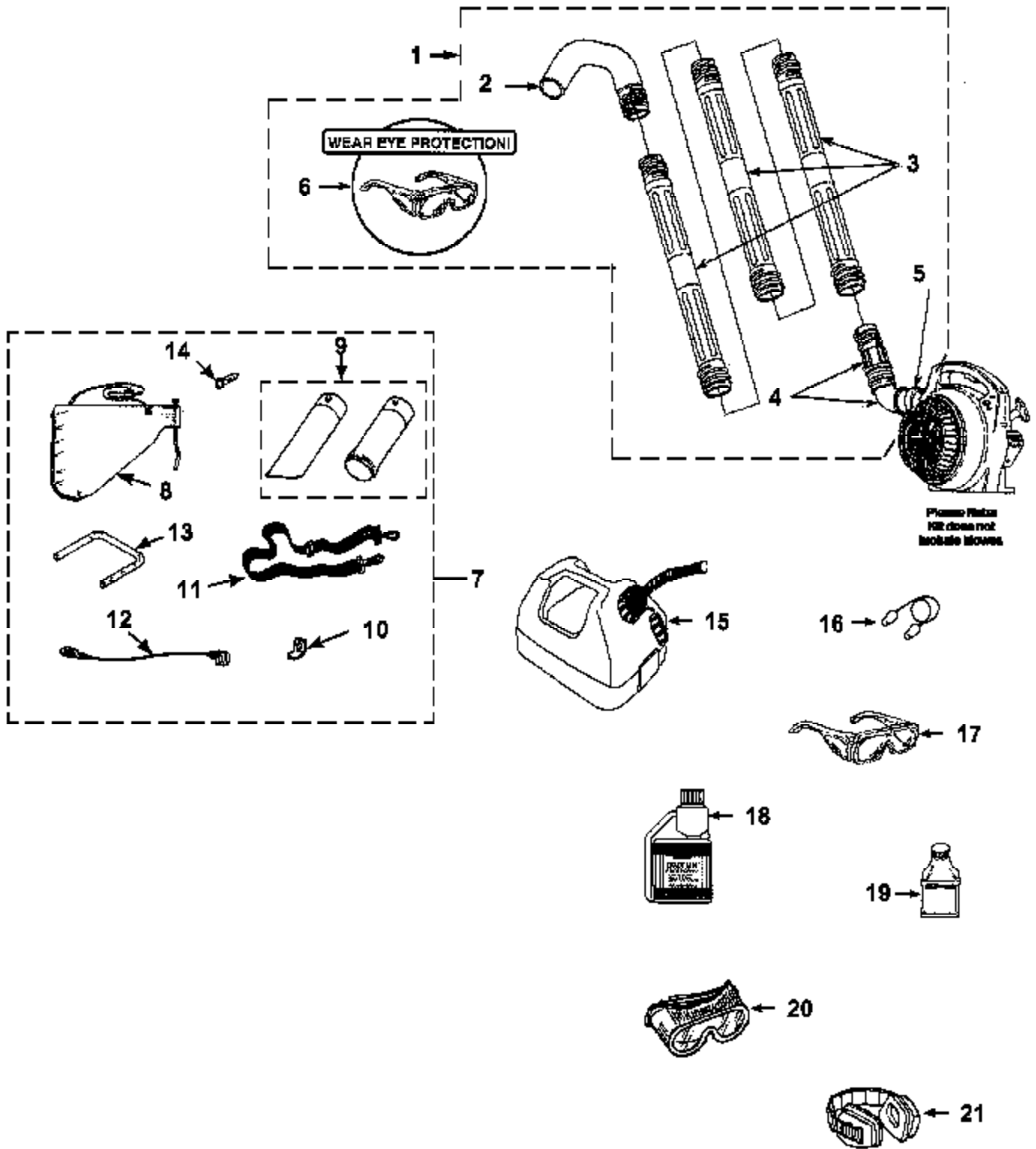
Ref #	Part Number	Qty	Description
C	UP03858	1	IGNITION KIT w/Module Includes items 1-2
1	UP03868	1	TERMINAL-Hi-Tension
2	UP03883	1	SPARK PLUG (RDJ-7Y) TORQUE SPECIFICATIONS 120-180 In/Lbs; 13.6-20.3 Nm
3	UP03896	2	SCREW-Thread Form. (8-32 x 1") TORQUE SPECIFICATIONS 30-40 In/Lbs; 3.4-4.5 Nm; Required Loctite 242 Blue
4	UP03009	1	ROTOR & STARTER PAWLS
5	UP03906	1	WASHER-Flat
6	UP03854	1	SPACER-Fan



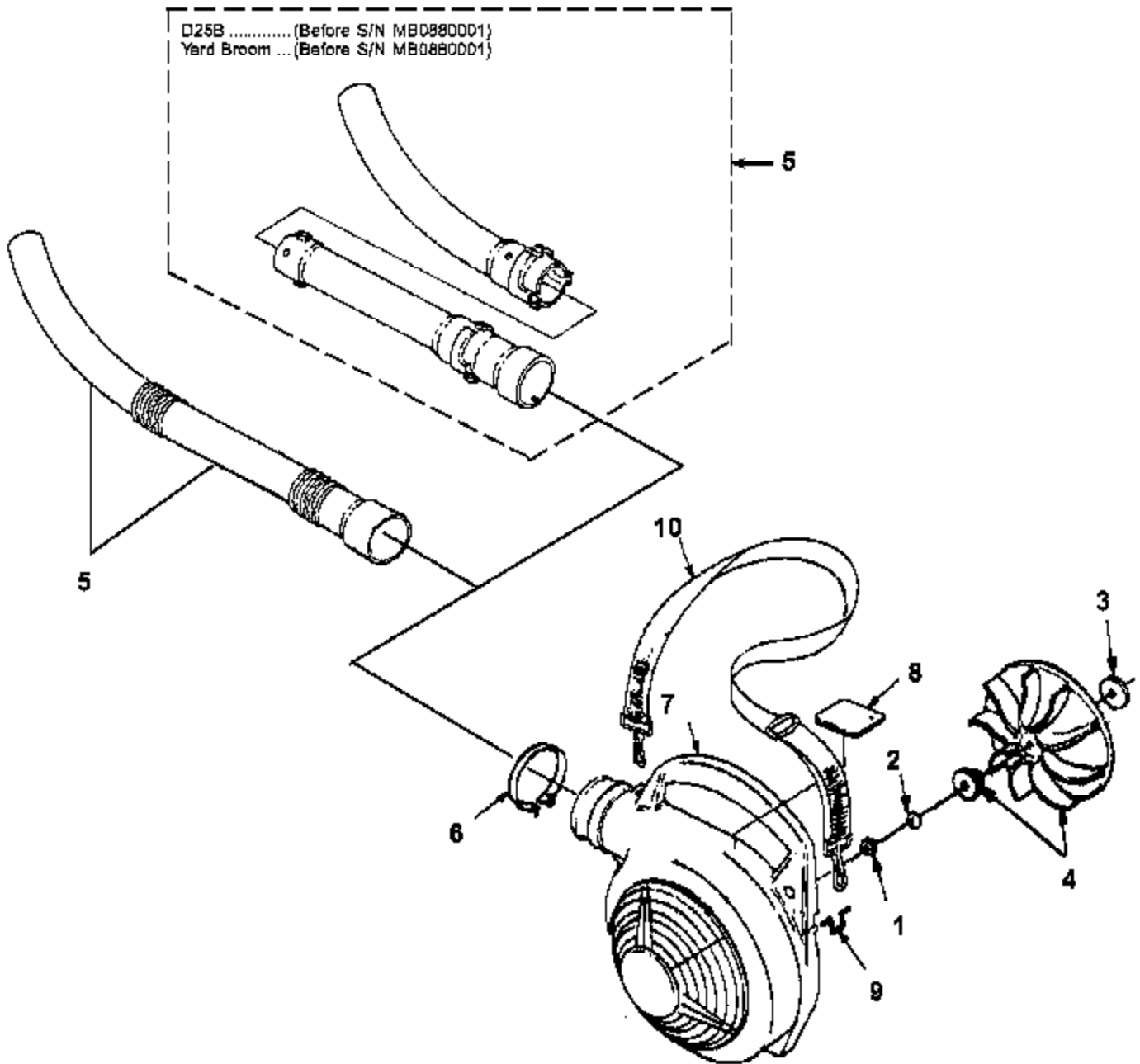
Ref #	Part Number	Qty	Description
A	UP04486	1	MUFFLER-Complete Includes items 1-11
1	UP03902	2	SCREW-Sems Hex Hd. (10-24 x 2 1/2") TORQUE SPECIFICATIONS 40-50 In/Lbs; 4.5-5.6 Nm
2	UP03810	1	MUFFLER COVER
3	UP03813	1	WASHER-Insulating
4	UP03901	1	WASHER-Flat
5	UP03814	1	SPRING-Compression
6	UP04289	1	DEFLECTOR-Muffler
7	UP03860	1	SPACER-Muffler
8	UP03815	1	SCREEN-Spark Arrestor
9	UP03918	1	PLATE-Reinforcing
10	UP04305	1	BODY-Muffler
11	UP03817	1	GASKET-Muffler Also included with Short block & Cylinder Kits.
12	UP03885	2	NUT-Hex (10-24) TORQUE SPECIFICATIONS 30-40 In/Lbs; 3.4-4.5 Nm
D	UP00011	1	AIR FILTER KIT Includes items 13-14
13	UP00012	1	AIR FILTER
14	UP03890	2	SCREW-Thd. Form. (#8-16 x 3/4") TORQUE SPECIFICATIONS 30-40 In/Lbs; 3.4-4.5 Nm



Ref #	Part Number	Qty	Description
1	UP03406	4	SCREW-Thread Form. (10-24 X 3/4") TORQUE SPECIFICATIONS 55-60 In/Lbs; 6.2-6.8 Nm
2	UP03869	1	SCREW-Thread Form. (#10 X 1 5/8") TORQUE SPECIFICATIONS 20-30 In/Lbs; 2.3-3.4 Nm
E	UP04551	1	VOLUTE HOUSING & STARTER Includes items 3-12
3	UP04279	1	PLATE-Rotor
4	UP03894	1	SCREW-Thread Form. (#6 X 1 3/8") TORQUE SPECIFICATIONS 8-12 In/Lbs; .9-1.4 Nm
5	UP04276	1	GRIP-Starter (Black)
6	UP03910	1	BUSHING-Starter
7	UP03809	1	GUIDE-Starter Rope
8	UP03917	1	SPRING & CONTAINER
9	UP04349	1	PULLEY-Starter
10	UP03919	2	BRACKET-Retaining
11	UP03897	2	SCREW-Thread Form. (#10 X 1/2") TORQUE SPECIFICATIONS 30-40 In/Lbs; 3.4-4.5 Nm
12	UP03911	1	ROPE-Starter
13	UP03900	6	SCREW-Thread Form. (10-24 X 3/4") TORQUE SPECIFICATIONS 20-30 In/Lbs; 2.3-3.4 Nm



Ref #	Part Number	Qty	Description
1	A02514D	1	GUTTER MAINTENANCE KIT (All Handheld Models); Includes items 2-6
2	UP06830	1	FULL ELBOW
3	UP05618	3	STRAIGHT TUBE
4	UP06836	1	UPPER ELBOW & SWIVEL ADAPTER
5	UP03821	1	CLAMP w/Fasteners
6	UP06835	1	SAFETY GLASSES-Clear
7	UP04152	1	VACUUM KIT (HB390-VI); Includes items 8-14
8	UP04548	1	LEAF BAG
9	UP06705	1	TUBE-Outer
10	UP03834	1	TAB-Male
11	UP06723	1	HARNES-Shoulder
12	UP03823	1	LEAD-Ground
13	UP03816	1	HANDLE
14	UP03889	1	SCREW
15	A02976A		GAS CAN 1 1/4 Gallon
16	UP06839		EAR PLUGS
17	UP06835		SAFETY GLASSES-Clear
18	01231D		EXACT MIX (TM) Oil - 1 pint (50:1)
19	08581		EXACT MIX (TM) Oil - 2.6 oz. (50:1)
20	UP06778		GOGGLES
21	UP07694		EAR PROTECTORS



Ref #	Part Number	Qty	Description
1	UP03884	1	NUT-Hex (3/8-24) TORQUE SPECIFICATIONS 130-150 In/Lbs; 14.7-16.9 Nm
2	UP03835	1	WASHER-Bellville (3/8")
3	UP03836	2	WASHER-Flat
4	UP06826	1	BLOWER FAN KIT
5	UP05585	1	TUBE KIT
6	UP03821	1	CLAMP w/Fasteners
7	UP00757	1	VOLUTE HOUSING (Outer) Includes item 8
8	UP04332	1	DECAL-Warning
9	UP03818	1	LOOP-Wire
10	UP06723	1	SHOULDER STRAP