

HOMELITE®

- GB PARTS LIST
- F LISTE DE PIÈCES
- NL ONDERDELENLIJST
- D TEILELISTE
- I ELENCO DEI PEZZI
- E LISTA DE PIEZAS
- P LISTA DE PEÇAS

SX-135
(UT-20601)

HLT-17C
(UT-20596-B)

ST-155
(UT-20583-B)

HBC-30
(UT-15085-B, UT-15085-C)

ST-175C
(UT-20599-A, UT-20599-B)

HBC-30B
(UT-15086-B, UT-15086-C)

ST-385
(UT-15088-A, UT-15088-B)

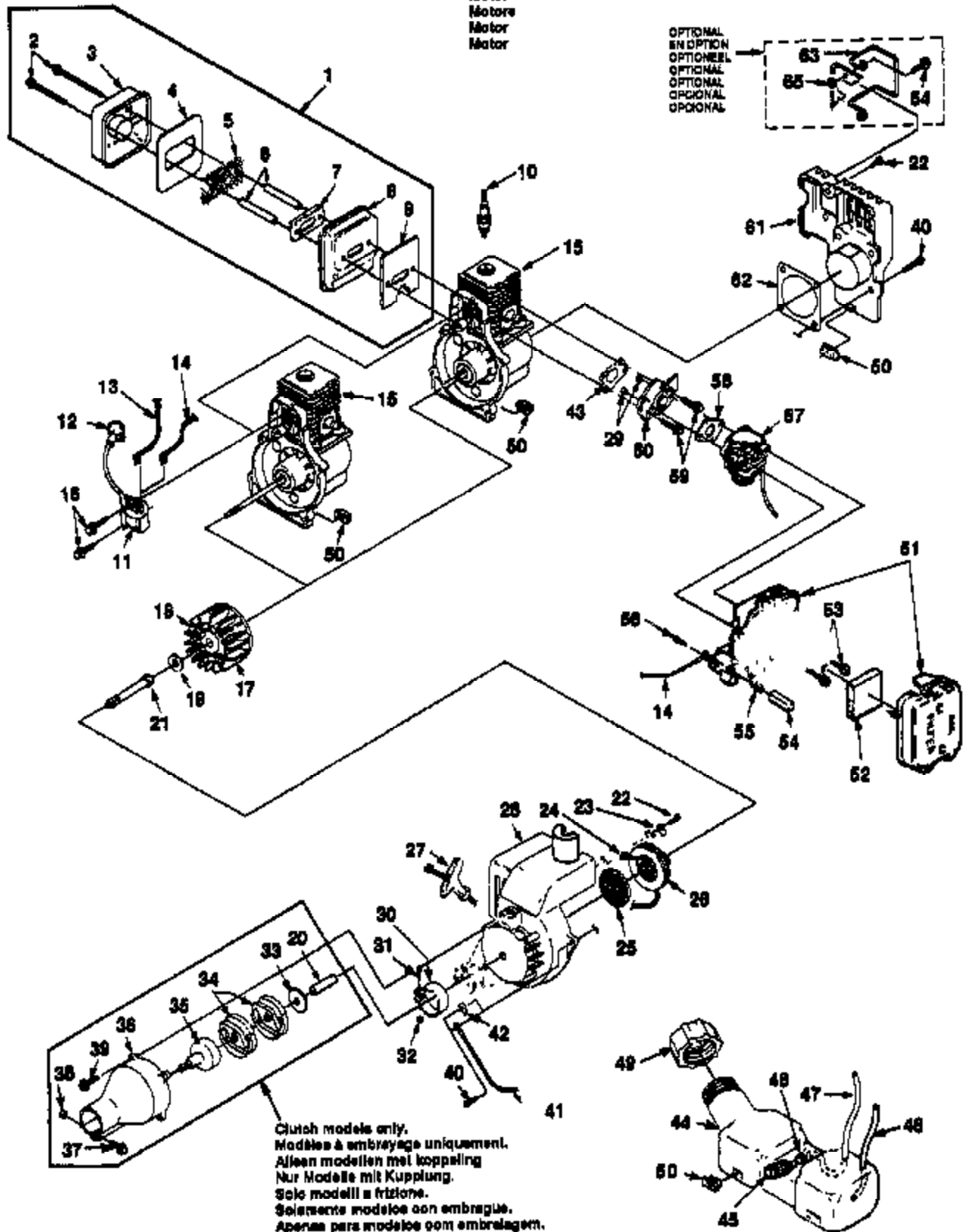


Printed in U.S.A. GB
 Imprimé aux. E.-U. F
 Gedrukt in de V.S. NL
 Gedrukt in den U.S.A. D
 Stampato negli Stati Uniti I
 Impresso en EE. UU. E
 Impresso nos E.U.A. P
 P/N 18967

1

Engine
 Moteur
 Motor
 Motor
 Motors
 Motor

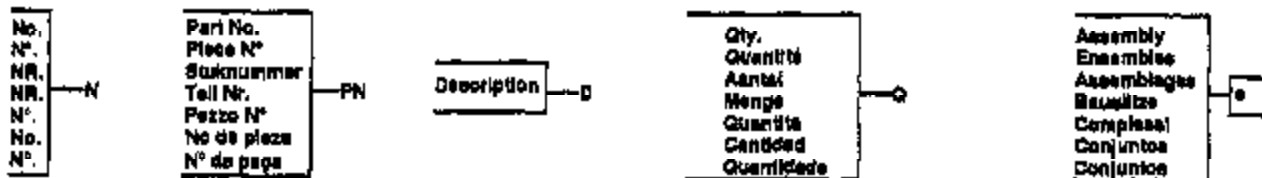
OPTIONAL
 EN OPTION
 OPTIONEL
 OPTIONAL
 OPCIONAL
 OPCIONAL



1

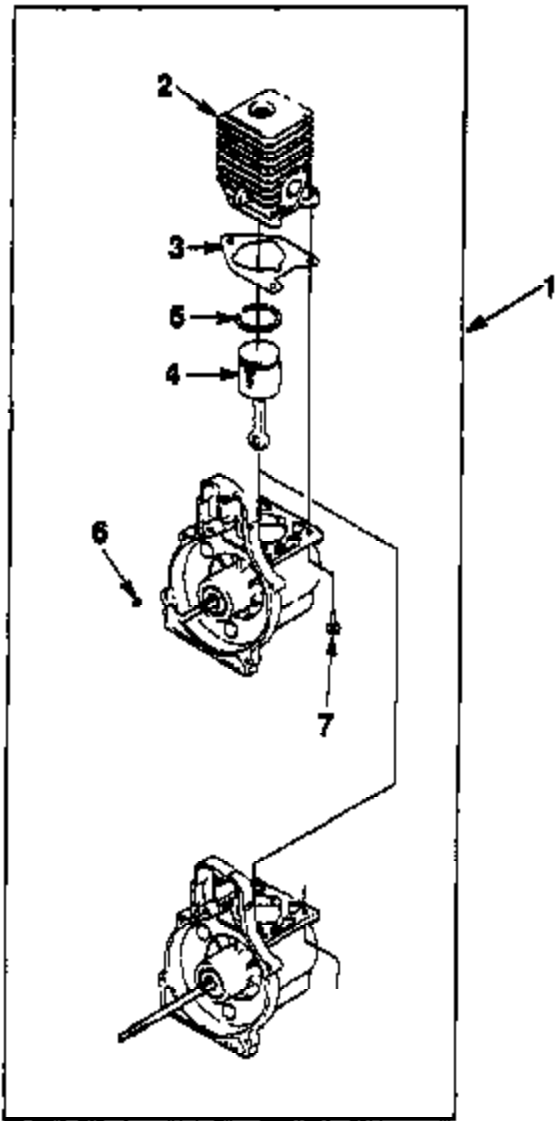
N	PN	D	Q
1	A-01123	MUFFLER-Complete	1
2	88060	SCREW-Bama Hex Hd (10-24 X 2 1/2")	2
3	A-98780	COVER-Muffler	1
4	98782	BAFFLE-Muffler	1
5	98784-A	SCREEN-Spark	1
6	98880-A	SPACER-Muffler	2
7	98783	PLATE-Reinforcing	1
8	A-01323	BODY-Muffler	1
9	98785-B	GASKET-Muffler	1
10	79252	SPARK PLUG (RCJY)	1
11	98189-B	SPARK PLUG (DJY) (SX-135 Only)	1
12	A-02727	MODULE-Ignition	1
13	A-33065	TERMINAL-Hi Tension	1
14	A-00881	LEAD-Electrical (ST-175C, ST-385, HLT-17C, HBC-30, HBC-30B)	1
15	A-98809	LEAD-Electrical (ST-155, SX-135)	1
16	*	SHORT BLOCK (SEE PG 4)	1
17	82540	SCREW-Tapete (8-32 X 1")	2
18	A-00896	ROTOR KIT (ST-175C, ST-385)	1
19	A-70285-E	KIT-Starter Pawl	1
20	95479-A	WASHER-Flat	1
21	03568-2	SPACER	1
22	A-00857	ROTOR KIT (HLT-17C, HBC-30, HBC-30B)	1
23	A-70286-E	KIT-Starter Pawl	1
24	95479-A	WASHER-Flat	1
25	03568-1	SPACER	1
26	A-04158	ROTOR KIT (ST-155, SX-135)	1
27	A-70285-E	KIT-Starter Pawl	1
28	84065	WASHER-Flat (5/16") (ST-155, SX-135)	1
29	98798-A	CONNECTOR-Drive (ST-155, SX-135)	1
30	A-01083-A	COMPLETE STARTER ASSEMBLY (ST-155, SX-135)	1
31	82541	SCREW-Plastic (#10 X 1/2")	4
32	98791	BRACKET-Returning	1
33	97899-02	ROPE-Starter (42")	1
34	A-98773	SPRING & CONTAINER	1
35	98770	PULLEY-Starter	1
36	02254	GRIP-Starter	1
37	A-02575-B	HOUSING-Engine (ST-155, SX-135)	1
38	A-02576-C	HOUSING-Engine (ST-175C, ST-385, HLT-17C, HBC-30, HBC-30B)	1

N	PN	D	Q
39	81208	NUT-Hex (10-24)	2
40	98802-A	CLAMP	1
41	82289	SCREW-Hex Bama (10-24 X 3/8")	1
42	97574	NUT-Square	1
43	98929-A	WASHER-Clutch (ST-175C, ST-385, HLT-17C, HBC-30, HBC-30B)	1
44	00242	CLUTCH (ST-175C, ST-385) (HLT-17C, HBC-30, HBC-30B)	2
45	A-02727	CONNECTOR & DRUM (ST-175C, ST-385)	1
46	A-08485-A	CONNECTOR & DRUM (HLT-17C, HBC-30, HBC-30B)	1
47	A-02398-A	TUBE ADAPTOR (ST-175C, ST-385, HLT-17C, HBC-30, HBC-30B)	1
48	88054	SCREW-Bama Hex Hd (10-24 X 1 1/4")	1
49	81208	NUT (10-24)	1
50	88052	SCREW-Bama Hex Hd (10-24 X 7/8")	4
51	82538	SCREW-Tapete (10-24 X 3/4")	7
52	A-98919-A	LEAD-Ground	1
53	02851	TERMINAL	1
54	98765-B	GASKET-Heat Dam	1
55	A-04447	TANK-Fuel	1
56	49422	FILTER-Fuel	1
57	01439-32	TUBING-Rubber (8")	1
58	94772-32	TUBING-Rubber (8")	1
59	88268	CLAMP-Wire	1
60	A-00852-A	FUEL CAP	1
61	88792	BUMPER-Rubber	3
62	A-04449	AIR FILTER BOX	1
63	D-98760-A	FILTER-Air	1
64	04474	SCREW-Mach (10-24 X 2 1/4")	2
65	98789	BUTTON-Switch	1
66	95020	SPRING-Compression	1
67	82513	SCREW-Plastic (#8)	1
68	A-04445	CARBURETOR KIT	1
69	98798-A	GASKET-Carburetor	1
70	82540-1	SCREW-Tapete (10-24 X 1")	2
71	98789	HEAT DAM	1
72	A-04440	CRANKCASE COVER-Florkad	1
73	98787-A	GASKET-Crankcase Cover	1
74	A-00254	WIRE GUARD KIT	1
75	88049	SCREW-Hex Bama (10-24 X 1/2")	2
76	81208	NUT (10-24)	2



2

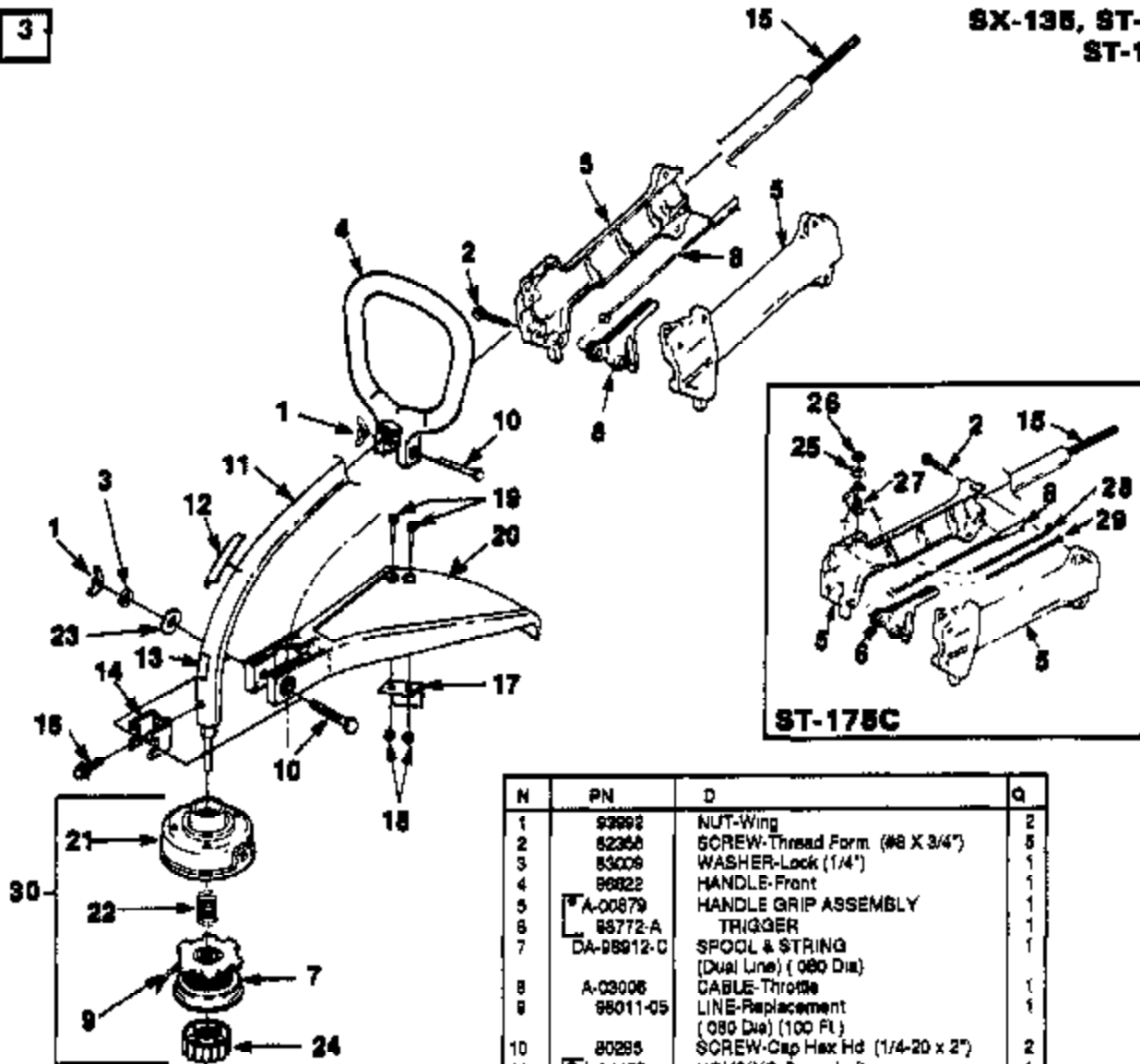
SHORT BLOCK



N	PN	D	Q
1	A-00410-A	SHORT BLOCK (ST-150, SX-135)	1
2	A-03259	CYLINDER & GASKET	1
3	04385	GASKET-Cylinder	1
4	A-04258	PISTON & ROD	1
6	88535	RING-Piston	1
6	89250	KEY-Woodruff	1
7	82558	SCREW-Torx Pan Hd (10-24 X 3/4")	2
	A-00406-A	SHORT BLOCK (BT-175C, BT-356)	1
	A-03259	CYLINDER & GASKET	1
	04385	GASKET-Cylinder	1
	A-04258	PISTON & ROD	1
	88535	RING-Piston	1
	89250	KEY-Woodruff	1
	82558	SCREW-Torx Pan Hd (10-24 X 3/4")	3
	A-00411-A	SHORT BLOCK (HLT-17C, HBC-30, HBC-30B)	1
	A-03785-A	CYLINDER & GASKET	1
	03703-A	GASKET-Cylinder	1
	A-03699	PISTON & ROD	1
	03179	RING-Piston	2
	89250	KEY-Woodruff	1
	82558	SCREW-Torx Pan Hd (10-24 X 3/4")	3

3

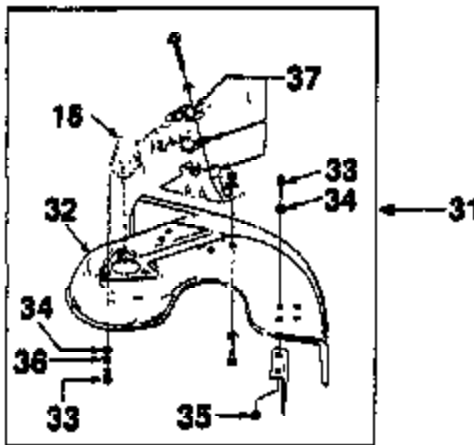
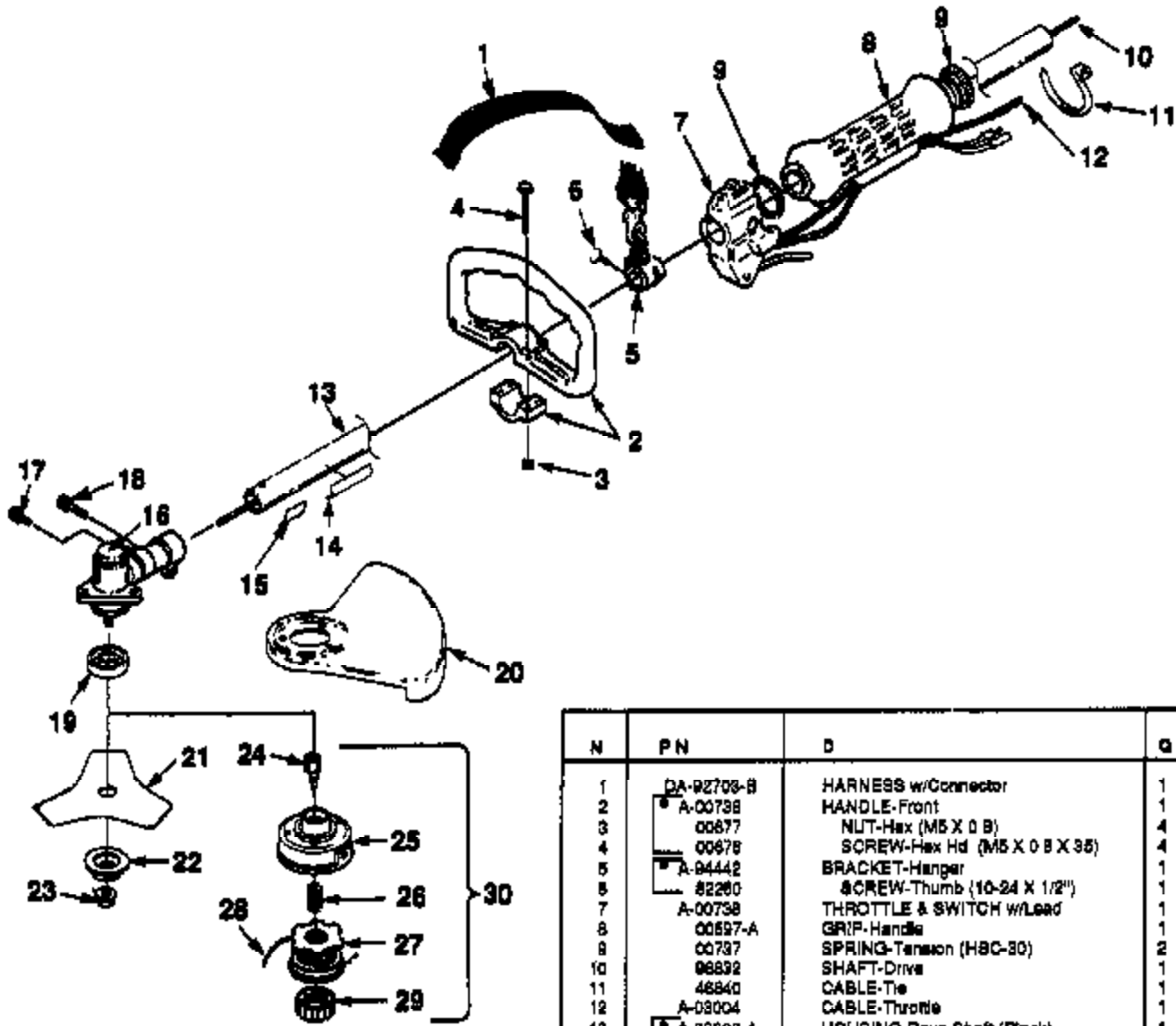
**SX-135, ST-155,
ST-175C**



N	PN	D	Q
1	93992	NUT-Wing	2
2	82368	SCREW-Thread Form (#8 X 3/4")	5
3	83006	WASHER-Lock (1/4")	1
4	88822	HANDLE-Front	1
5	A-00879	HANDLE GRIP ASSEMBLY	1
6	89772-A	TRIGGER	1
7	DA-98912-C	SPOOL & STRING (Dual Line) (.080 Dia)	1
8	A-03008	CABLE-Throttle	1
9	88011-05	LINE-Replacement (.080 Dia) (100 Ft)	1
10	80285	SCREW-Cap Hex Hd (1/4-20 x 2")	2
11	A-04458	HOUSING-Drivehaft	1
12	04488	DECAL-Starting Inat	1
13	04154	DECAL-Warning	1
14	88853	CLAMP	1
15	88818	SHAFT-Flexible	1
16	82541	SCREW-Thread Form (#10 x 1/2")	1
	A-01285	DEFLECTOR & BLADE KIT (SX-135, ST-155)	1
17	A-03834	BLADE-Cut-Off	1
18	81281	NUT-Hex (10-24)	2
19	82831	SCREW-Mech Hex Hd (10-24 X 1")	2
20	00130	DEFLECTOR-Grass	1
17	A-03832	BLADE-Cut-Off (ST-175C)	1
18	81281	NUT-Hex (10-24)	2
19	82831	SCREW-Mech Hex Hd (10-24 x 1")	2
20	02610	DEFLECTOR-Grass (ST-175C)	1
21	A-85231-A	HOUSING & EYELET-Dual Line	1
22	98848	SPRING-Compression	1
23	84006	WASHER-Flat (1/4")	1
24	DA-98898-A	RETAINER-Spool	1
25	85231	PLATE-Introcing (ST-175C)	1
26	72064-A1	NUT-Toggle Switch	1
27	83853	TOGGLE SWITCH	1
28	A-03912	LEAD-Electrical	1
29	A-88819-A	LEAD-Ground	1
30	A-03001	STRINGHEAD COMP (.080 Dia Line)	1

4

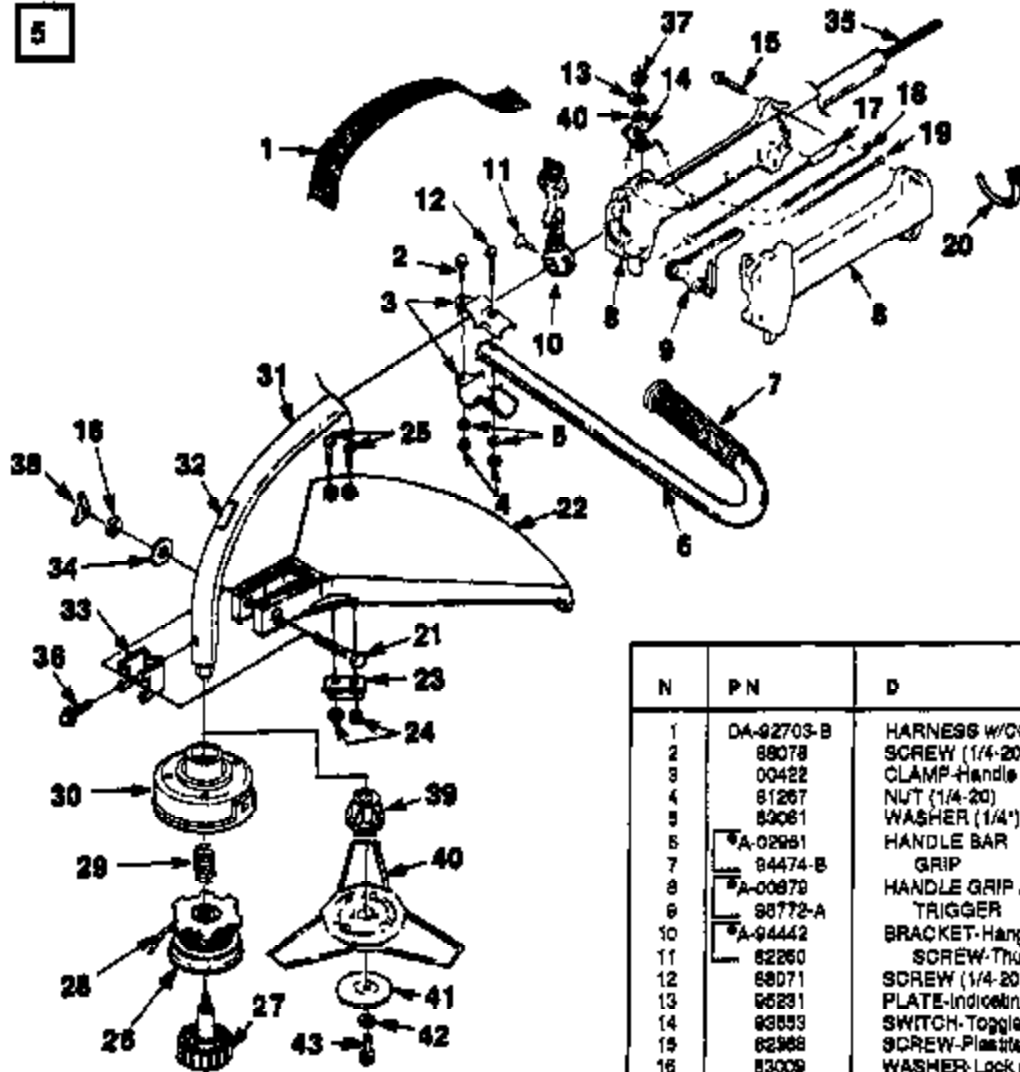
ST-385, HBC-30



N	PN	D	Q
1	DA-92709-B	HARNES w/Connector	1
2	A-00738	HANDLE-Front	1
3	00677	NUT-Hex (M5 X 0 B)	4
4	00678	SCREW-Hex Hd (M5 X 0 B X 35)	4
5	A-94442	BRACKET-Hanger	1
6	82260	SCREW-Thumb (10-24 X 1/2")	1
7	A-00738	THROTTLE & SWITCH w/Lead	1
8	00597-A	GRIP-Handle	1
9	00737	SPRING-Tension (HBC-30)	2
10	98832	SHAFT-Drive	1
11	46840	CABLE-Tie	1
12	A-03004	CABLE-Throttle	1
13	A-03800-A	HOUSING-Drive Shaft (Black)	1
14	04458	DECAL-Starting Instructions	1
15	02955	DECAL-Warning	1
16	A-03888	GEAR HEAD	1
17	86049	SCREW-Sems Hex Hd (10-24 X 1/2")	1
18	82568	SCREW-Cap Socket Hd (1/4-20 x 7/8")	1
19	04188	WASHER-Flange	1
20	98847-2	GUARD-Blade	1
21	D-88717-A	BLADE-Tri-Aro	1
22	04259	WASHER-Flange	1
23	04277	NUT-Hex (L H)	1
24	98551-41	CONNECTOR-Drive	1
25	A-86231-A	HOUSING & EYELET (Dual Line)	1
26	95848	SPRING-Compression	1
27	DA-02698-A	SPOOL & STRING (Dual Line)	1
28	03959-03	LINE-Replacement (1 lb Box, .095" Dia.)	1
29	A-97810-A	RETAINER-Spool (L H) (Red)	1
30	A-03174	STRINGHEAD COMPLETE	1
31	A-03580-A	GRASS DEFLECTOR KIT	1
32	A-04382-03	DEFLECTOR & BLADE	1
33	82298	SCREW-Mach Hex Hd	5
34	84003	WASHER-Flat	5
35	91208	NUT-Hex (10-24)	2
36	83048	WASHER-Lock	3
37	A-03404	DEFLECTOR BRACKET KIT	1

5

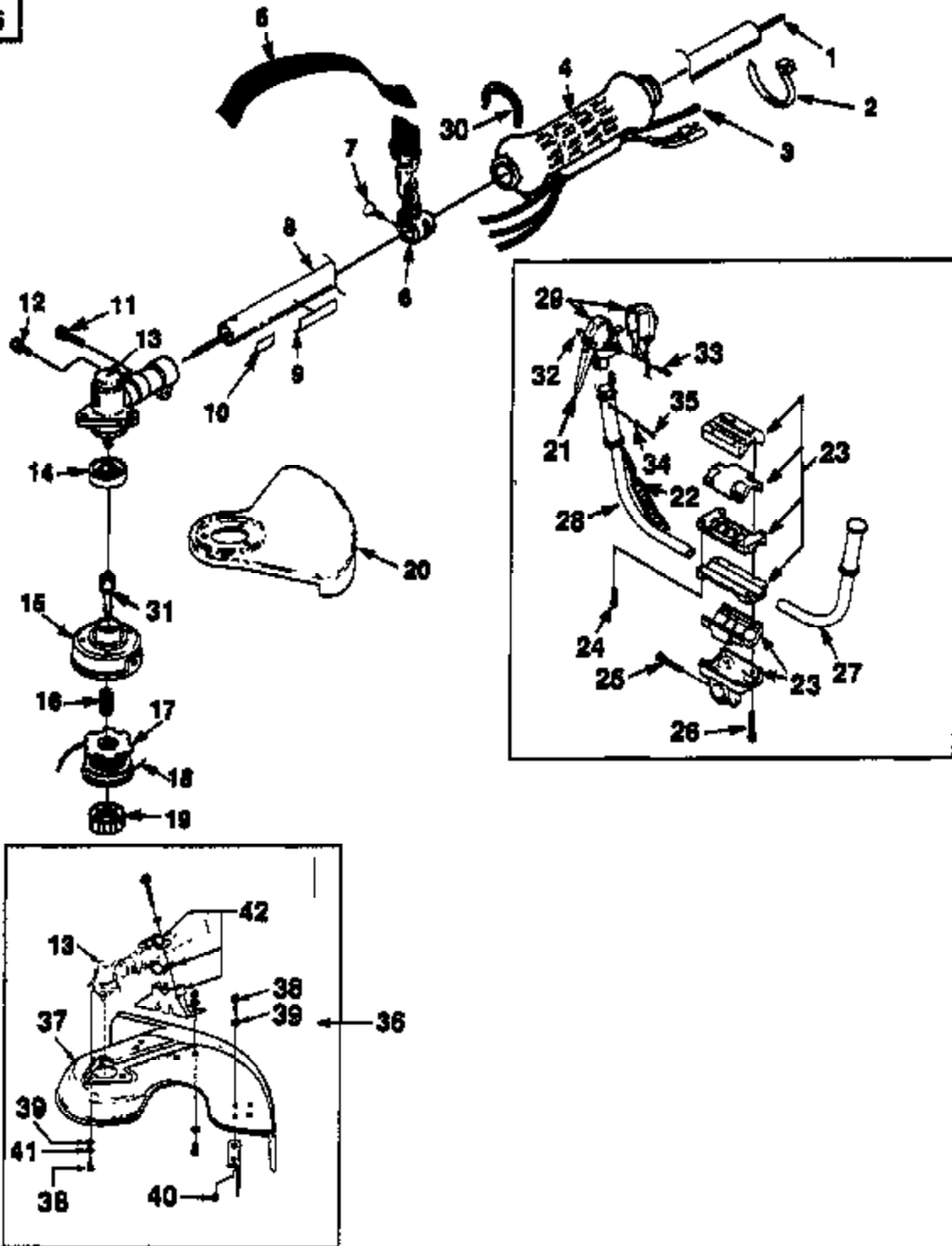
HLT-17C



N	PN	D	Q
1	DA-92703-B	HARNES W/CONNECTOR	1
2	88078	SCREW (1/4-20 X 7/8")	1
3	00422	CLAMP-Handle Bar	2
4	81267	NUT (1/4-20)	2
5	83061	WASHER (1/4")	2
6	A-02981	HANDLE BAR	1
7	84474-B	GRIP	1
8	A-00879	HANDLE GRIP ASSEMBLY	1
9	98772-A	TRIGGER	1
10	A-94442	BRACKET-Hanger	1
11	82260	SCREW-Thumb	1
12	88071	SCREW (1/4-20 X 1 1/2")	1
13	96231	PLATE-Indicating	1
14	93593	SWITCH-Toggle	1
15	92988	SCREW-Plastic (#8 X 3/4")	4
16	83009	WASHER-Lock (1/4")	1
17	A-03006	CABLE-Thumb	1
18	A-03912	LEAD-Electrical	1
19	A-98919-A	LEAD-Ground	1
20	46940	CABLE-Tie	1
21	80296	SCREW-Cap Hex Hd. (1/4-20 X 2")	1
22	02910	DEFLECTOR-Grass	1
23	A-03892	BLADE-Cut-Off	1
24	81251	NUT (10-24)	2
25	82531	SCREW-Mech Hex Hd (10-24 X 7/8")	2
26	DA-02698-A	SPOOL & STRING	1
27	A-02761	SPOOL RETAINER	1
28	03059-03	LINE-Replacement (.095 dia.)	1
29	98848	SPRING-Compression	1
30	A-98231-A	HOUSING & EYELET	1
31	A-02720	HOUSING-Driveshaft	1
32	02995	DECAL-Warning	1
33	98853	CLAMP	1
34	84008	WASHER-Flat	1
35	98816	SHAFT-Flexible	1
36	92841	SCREW-Thread Forming	1
37	72064-A1	NUT-Toggle Switch	1
38	93982	NUT-Wing	1
39	02817	ADAPTOR-Blade	1
40	DA-02616-A	TRI-ARC BLADE	1
41	00580	WASHER-Cupped	1
42	83030	WASHER-Lock	1
43	80295	SCREW-Cap Hex Hd	1

6

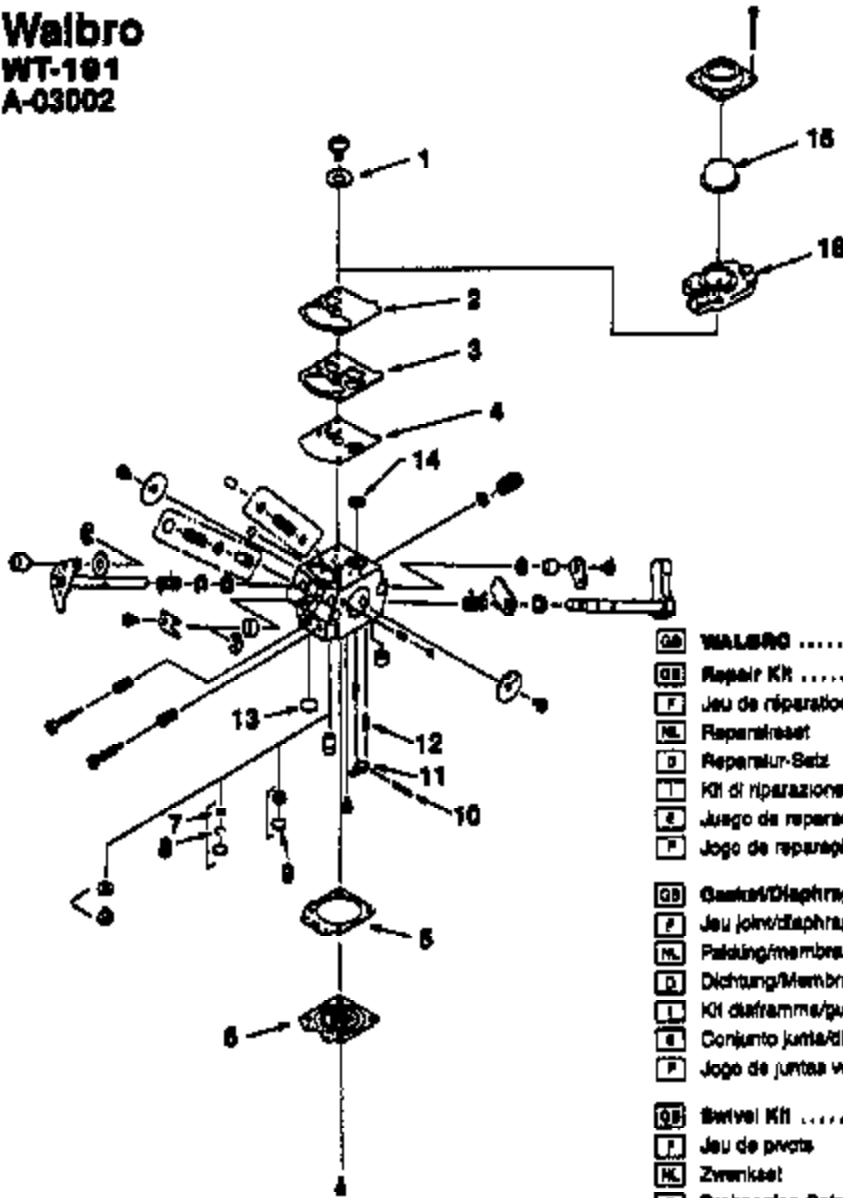
HBC-30B



6

N	PN	D	Q
1	98832	DRIVESHAFT	1
2	46640	CABLE-Tie	3
3	A-03005	THROTTLE CABLE	1
4	00597-A	GRIP-Handle	1
5	DA-92703-B	HARNESB w/Connector	1
6	A-94442	BRACKET-Hanger	1
7	82260	SCREW-Thumb (10-24 X 1/2")	1
8	A-03800-A	HOUSING-Driveshaft	1
9	04488	DECAL-Starting Inet.	1
10	02985	DECAL-Warning	1
11	82588	SCREW-Cap Socket Hd. (10-24 X 1")	2
12	99049	SCREW-Sems Hex Hd. (10-24 X 1/2")	1
13	A-03668	GEAR HEAD	1
14	04168	WASHER-Flanged	1
15	A-98231-A	HOUSING & EYELET	1
16	99848	SPRING-Compression	1
17	DA-02598-A	SPOOL & STRING	1
18	03959-03	LINE-Replacement (.095 Dia)	1
19	A-97910-A	SPOOL RETAINER	1
20	98847-2	GUARD-Blade	1
21	A-03278	THROTTLE	1
22	00684	SLEEVING-Plastic	1
23	A-00562-2	BRACKET-Handle Bar	1
24	00605	SCREW-Soc. Hd.	1
25	03942	SCREW-Hex Hd.	4
26	03044	SCREW-Hex Hd.	4
27	A-03286	HANDLE BAR & GRIP (Left)	1
28	A-03277	HANDLE BAR & GRIP (Right)	1
29	A-03276	SWITCH & LEAD	1
30	00737	SPRING-Torsion	2
31	98561-41	CONNECTOR-Drive	1
32	81417	NUT (4M)	1
33	88183	SCREW (4M)	1
34	83086	WASHER-Lock	1
35	82528	SCREW-Thread Form. (#6-19 x 3/4")	1
36	A-03560-A	GRASS DEFLECTOR KIT	1
37	A-04362-03	DEFLECTOR & BLADE	1
38	82298	SCREW	5
39	84003	WASHER	5
40	81208	NUT (10-24)	2
41	83048	WASHER	3
42	A-03404	DEFLECTOR BRACKET KIT	1

Walbro
WT-191
A-03002



- GB** WALBRO **A-03002**
- GB** Repair Kit **A-03002**
- F** Jeu de réparation
- NL** Reparatieset
- D** Reparatur-Setz
- I** Kit di riparazione
- E** Juego de reparación
- P** Jogo de reparação

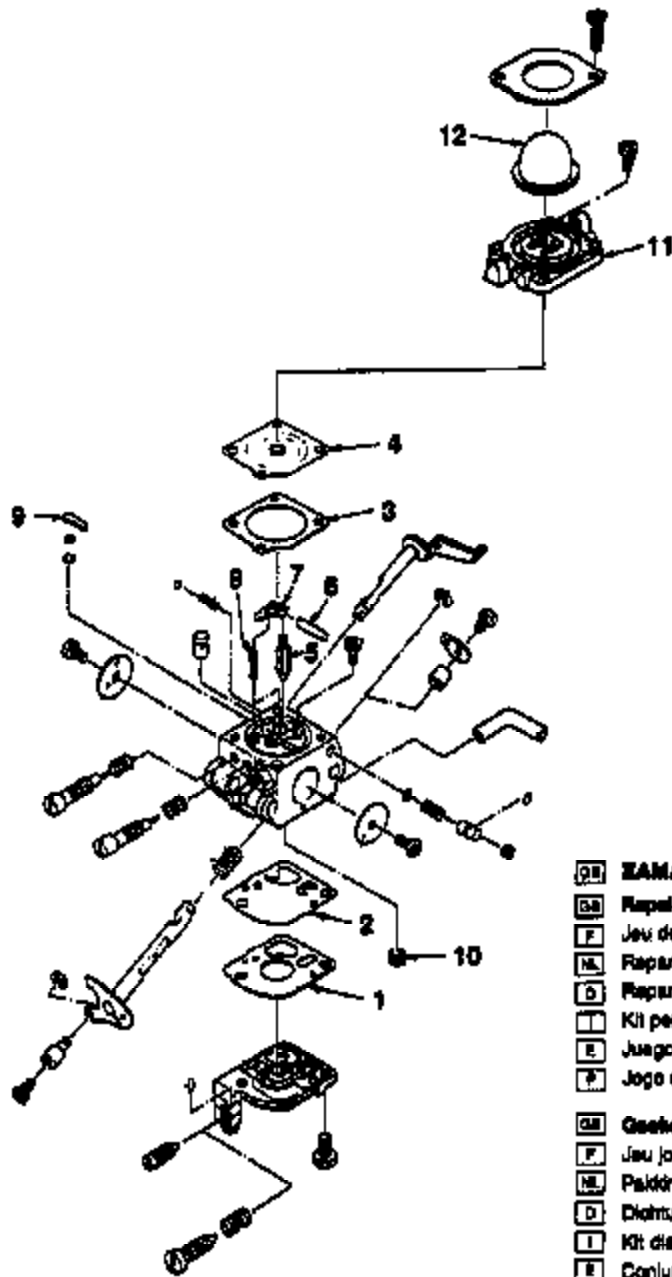
- GB** Gasket/Diaphragm Kit **A-00285-A**
- F** Jeu joint/diaphragme
- NL** Pakking/membran set
- D** Dichtung/Membran-Setz
- I** Kit diaframma/guarnizione
- E** Conjunto junta/diafragma
- P** Jogo de juntas vedantes/diafragmas

- GB** Primer Kit **A-00289**
- F** Jeu de puits
- NL** Zwenkset
- D** Drehzapfen-Setz
- I** Serie di ingranaggi giravoli
- E** Juego de enganche giratorio
- P** Jogo de rótula

- GB** Primer Bulb **01291**
- F** Bouton d'amorçage
- NL** Voorinspuilpomp
- D** Vorpumpe
- I** Ciochetto
- E** Bulbo cebador
- P** Bolha de unidade de escurvagem

- GB** Primer Base **A-01200-A**
- F** Base d'amorçage
- NL** Voorinspuil-eekkel
- D** Vorpumpen-Bockel
- I** Base del ciochetto
- E** Base de cebador
- P** Base de unidade de escurvagem

ZAMA
C1U-H18A
A-03003



- ZAMA** **A-03003**
- FR** Repair Kit **A-03003**
- F** Jeu de réparation
- NL** Reparatieset
- D** Reparatursatz
- I** Kit per riparazioni
- E** Juego de reparación
- P** Jogo de reparação

- GM** Gasket/Diaphragm Kit **A-03000**
- F** Jeu joint/diaphragme
- NL** Pakking/membranen set
- D** Dichtung/Membrane-Satz
- I** Kit diaphragma/guarnizione
- E** Conjunto juntas/diaphragma
- P** Jogo de juntas vedantes/diagramas

- GB** Primer Bulb **A-01196-A**
- F** Bouton d'amorçage
- NL** Voorinspuitspomp
- D** Vorpumpe
- I** Ciochetto
- E** Bulbo cebador
- P** Bolha de unidade de escoaragem

- GB** Primer Base **A-03003**
- F** Base d'amorçage
- NL** Voorinspuit-otikel
- D** Vorpumpen-Bockel
- I** Base del ciochetto
- E** Base de cebador
- P** Base da unidade de escoaragem

- Ⓢ SYMBOL DEFINITIONS
- Ⓡ DÉFINITIONS DES SYMBOLES
- Ⓡ OMSCHRIJVING VAN SYMBOLEN
- Ⓡ ERKLÄRUNG DER SYMBOLE
- Ⓡ DEFINIZIONE DEI SIMBOLI
- Ⓡ SIGNIFICADO DE LOS SIMBOLOS
- Ⓡ DEFINIÇÕES DE SÍMBOLOS



- Ⓢ Danger/Warning/Cautioe
- Ⓡ Danger/Attention/Attention
- Ⓡ Gevaar/Waarschuwing/Oppasie
- Ⓡ Gefahr/Achtung/Vorsicht
- Ⓡ Peligro/Atención/Atención
- Ⓡ Peligro/Atención/Preocupación
- Ⓡ Perigo/Atenção/Preocupação



- Ⓢ Read your product literature.
- Ⓡ Lire les publications sur le produit.
- Ⓡ Lees uw product informatie.
- Ⓡ Die Geräte-Besetzungs- und Anleitungen lesen.
- Ⓡ Leggere la documentazione del prodotto.
- Ⓡ Lea el manual del producto.
- Ⓡ Ler a literatura sobre o equipamento.



- Ⓢ Wear hearing and eye protection devices.
- Ⓡ Porter des protège-oreilles et une protection des yeux.
- Ⓡ Draag een veiligheidsbril per beschermers.
- Ⓡ Ohren- und Augenschutz tragen.
- Ⓡ Indossare protezione auricolare ed oculari.
- Ⓡ Use equipo de protección de los oídos y ojos.
- Ⓡ Usar acessórios de proteção para os ouvidos e para os olhos.

CUSTOMER ASSISTANCE

FOR THE LOCATION OF YOUR NEAREST HOMELITE SERVICING DEALER IN THE UNITED STATES, PUERTO RICO, AND THE VIRGIN ISLANDS.

CALL: 1-800-242-4672

NOTE: DEALER INFORMATION, TECHNICAL ADVICE AND PRODUCT INFORMATION CAN BE OBTAINED AT THIS NUMBER.

HEADQUARTERS

HOMELITE DIVISION OF TEXTRON INC.
P.O. BOX 7047
CHARLOTTE, N.C. 28241

OVERSEAS OFFICES

NETHERLANDS

HOMELITE TEXTRON
DIVISION OF TEXTRON ATLANTIC
(HQS. — Europe, Africa and Middle East)
Havenstraat 24
2153 GB Nieuw Vennepe
The Netherlands

FRANCE

HOMELITE TEXTRON
UNE DIVISION DE TEXTRON
S.A.R.L.
2,1 du Vert-Gaïan
Rue du Château/Rue de la Garonne
95310 Saint-Quen-L'Aymerie
France

AUSTRALIA

HOMELITE DIVISION OF TEXTRON PACIFIC LIMITED
HEADQUARTERS
22 Terra - Colts Drive
Blechnon, 3130
Victoria, Australia

CANADIAN OFFICES

HOMELITE

DIVISION OF TEXTRON CANADA LIMITED
1860 86th Avenue
Lachine, Québec, Canada
H8T 3J6

212-214 860 Ebury Place
New Westminster, B.C.
V3M 8K7

586 Canarctic Drive
Toronto, Ontario
M2J 2P9

HOMELITE TEXTRON

Homelite Division of Textron Inc