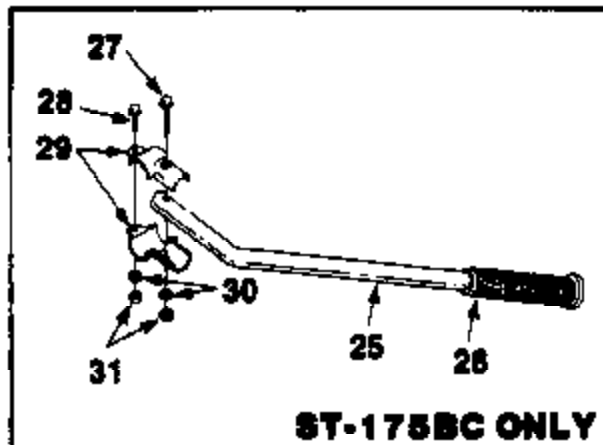
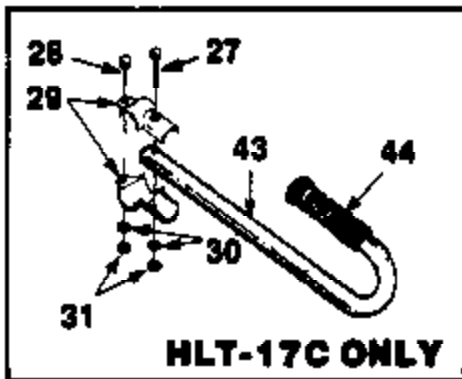
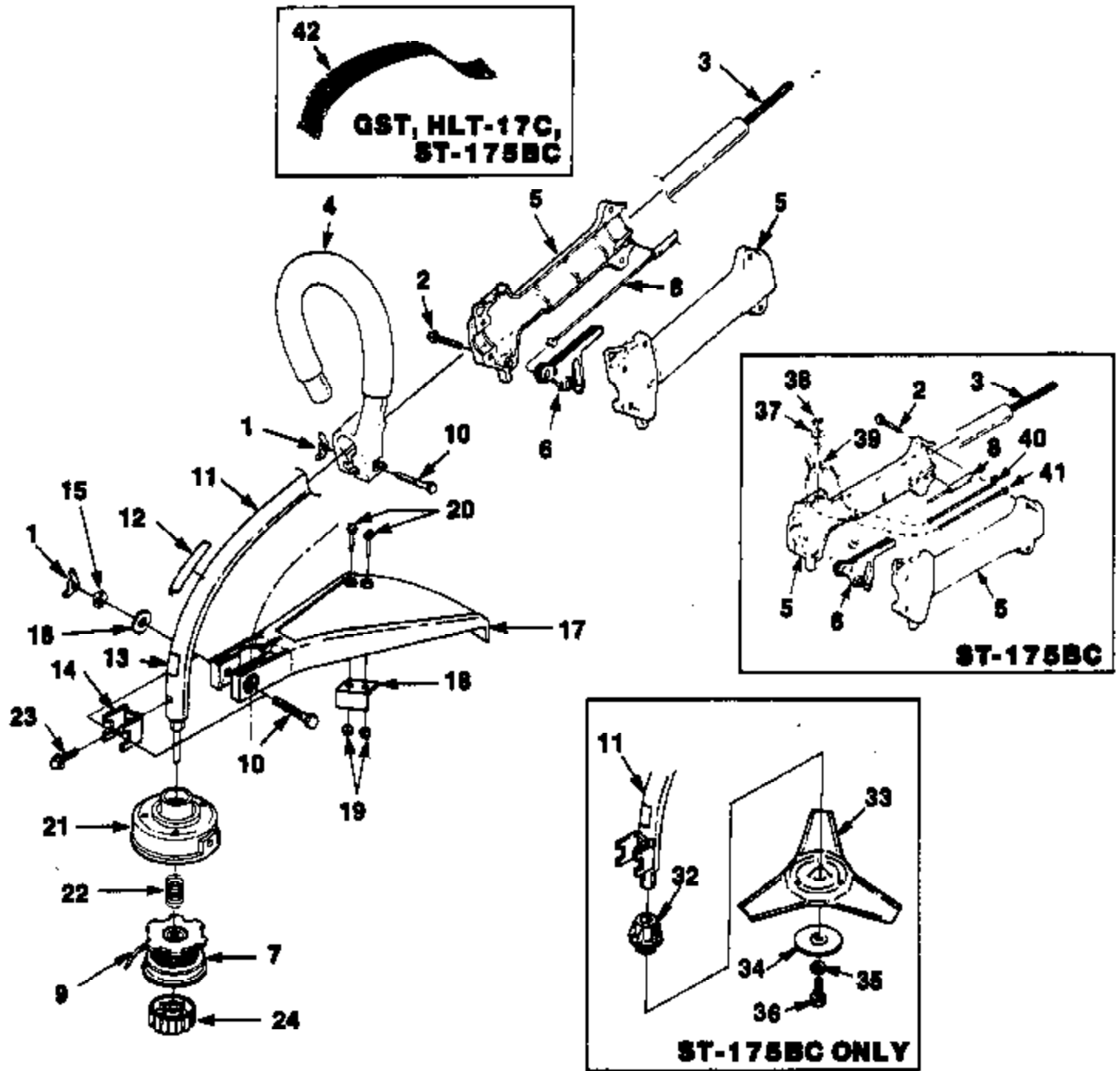


**ACCESSORIES**  
**ACCESSOIRES**  
**TOEBEHOREN**  
**ZUBEHÖR**  
**ACCESSORI**  
**ACCESSORIOS**

<b>Saw Blade</b> ..... <b>D-9935-A</b>	<b>Ignition Test Spark Plug</b> ..... <b>JA-31316-4</b>
Lame de scie	Testeur d'allumage
Zaagblad	Bougie voor ontstekingscontrole
Sägeblatt	Testzündkerze für Zündprüfung
Lama di sega	Candela di collaudo
Cuchilla de la sierra	Bujía para probar el encendido
Lâmina de serra	Veia de ensaio de ignição
<b>Grease, Multi-Purpose</b> ..... <b>18453</b>	<b>Rubber Tubing (10 ft) (3,05 m)</b> ..... <b>94772-99</b>
Grasse universelle	Tube en caoutchouc (3,05 m)
Universeel vet	Rubber slang (3,05 m)
Mehrzweck-Schmiermittel	Gummrohr (3,05 m)
Grasso, multuso	Dotto di gomma (3,05 m)
Grass universal	Tubo de caucho (3,05 m)
Lubrificante, para fins múltiplos	Tubo de borracha (3,05 m)
<b>Machete Blade</b> ..... <b>DA-00714-A</b>	<b>Starter Rope (260 ft Reel) (76 m)</b> ..... <b>94052-A</b>
Lame Machete	Cordon de lanceur (bobine de 76 m)
Macheteblad	Startkoord (spoel met 76 m)
Machete-Blatt	Startersel (76 m Spule)
Lama Machete	Corde d'avviamiento (bobina de 76 m)
Cuchilla Machete	Cuerda de arranque (carrete de 76 m)
Lâmina Machete	Cabo do arrancador (rolo de 75 m)
<b>Thread Locking Compound</b> ..... <b>23489-C</b>	<b>Replacement String (3 lb. box) (0,095 dia.)</b> ..... <b>03959-04</b>
Produit de blocage de filetage	Corde de recharge (boîte de 1,3 kg) (0,095 diam.)
Borgmiddel voor schroefdraden	Nieuwe draad (1,3 kg in een doos) (0,095 doorsnede)
Gewinde-Sicherungsmasse	Ersatz-Schneldraden (Schachtel zu 1,3 kg) (0,095)
Composto di bloccaggio della filettatura	Corde di ricambio (scatola di 1,3 kg) (0,095 di diam.)
Pasta selladora de roscas	Cuerda de repuesto (caja de 1,3 kg) (dia. 0,095)
Composto de retenção de roscas	Fio de substituição (caixa de 1,3 kg) (0,095 de diâmetro)
<b>Module Air Gap Shim</b> ..... <b>24306</b>	<b>Torx Bit (for clutch drum) T26</b> ..... <b>24982-03</b>
Cale d'écartement modulaire	Foret torx (pour tambour d'embrayage)
Modulair vuiststuk voor de luchtopening	Torx drijfbit (voor koppelingstrommel)
Modul-Luftspalt-Belagscheibe	Torx-Antriebsbit (für Kupplungstrommel)
Spessore di distanza modulare	Punta Torx Drive (per il tamburo della frizione)
Placa de relleno de la separación del módulo	Broca de empuje Torx (tambor del embrague)
Chapa de separação do módulo	Broca Torx (para o tambor da embraiagem)
<b>Grass Anti Wrap Kit</b> ..... <b>A-04191</b>	<b>Torx Drive Bit T-27</b> ..... <b>18586-01</b>
Nécessaire anti-enroulement d'herbe	Foret torx
Apparaatje om te voorkomen dat gras zich rond de aandrijftas wikkeft	Torx-drijfbit
Grasrückhalter	Torx-Antriebsbit
Kit antiavvoigimento d'erba	Punta Torx Drive
Dispositivo contra la acumulación de pasto	Broca de empuje Torx
Dispositivo contra a acumulação de relva	Broca accionadora Torx

\* ST-145, ST-155, ST-175, ST-175G, ST-175C, ST-175BC, HGT, GST, HLT-18, HLT-17C

Ref #	Part Number	Qty	Description
D-98935-A	D98935A	1	Saw Blade
18453	18453	1	Grease, Multi-Purpose
DA-00714-A	DA00714A	1	Machete Blade
23488C	23488C	1	Thread Locking Compound
24306	24306	1	Module Air Gap Shim
A-04191	A04191	1	Grass Anti Wrap Kit ST-145, ST-155, ST-175, ST-175G, ST-175C, ST-175BC, HGT, GST, HLT-16, HLT-17C
JA313164	JA313164	1	Ignition Test Spark Plug
9477299	9477299	1	Rubber Tubing (10 ft.) (3.05 m)
98052-A	98052A	1	Starter Rope (250 ft. Reel) (76 m)
03959-04	0395904	1	Replacement String (3 lb. box) (0.095 dia.)
24982-03	2498203	1	Torx Bit (for clutch drum) T25
18566-01	1856601	1	Torx Drive Bit T-27



Ref #	Part Number	Qty	Description
1	93992	2	NUT- Wing
2	82368	5	SCREW- Plastite (#8 x 3/4")
3	98816	1	SHAFT- Flexible
4	98822	1	HANDLE- Front (ST-145, ST-155, HGT)
	A98525	1	HANDLE- Front (ST-175, ST-175C, ST-1 75BC, GST)
5	A00879	1	HANDLE GRIP ASSEMBLY
6	98772A	1	TRIGGER
7	DA98911B	1	SPOOL & STRING(ST-155)
	02985	1	SPOOL & STRING (HLT-16, HLT-17C)
	DA98912B	1	SPOOL & STRING (Dual Line)
8	A03006	1	CABLE- Throttle
9	DA97952B	1	LINE- Replacement (.080 Dia.) (100 Ft.)
	0395903	1	LINE- Replacement (.095 Dia.) (1 lb. box) (HLT-16, HLT-17C)
10	80295	2	SCREW (10-24 x 2")
11	A00104A	1	HOUSING- Drive Shaft
12	989231	1	DECAL- Starting Instructions
13	02985	1	DECAL- Warning
14	98853	1	CLAMP
	A00771	1	HOUSING- Drive Shaft (HLT-16)
	989231	1	DECAL- Starting Instructions
	02985	1	DECAL- Warning
	A00774	1	HOUSING- Drive shaft (HLT-17C)
	989241	1	DECAL-Starting Instructions (HLT-17C)
	02985	1	DECAL- Warning (HLT-17C)
	00588	1	DECAL- Warning (Not Shown) (HLT-17C)
	A02720	1	HOUSING- Drive shaft (ST-1 75BC)
	989241	1	DECAL-Starting Instructions (ST-1 75BC)
	02985	1	DECAL- Warning (ST-175BC)
	98853	1	CLAMP (ST-175BC)
	00588	1	DECAL- Warning (Not Shown) (ST-175BC)
15	83009	1	LOCKWASHER (1/4")
16	84006	1	WASHER- Flat (1/4")
17	98821	1	DEFLECTOR- Grass
	02610	1	DEFLECTOR- Grass (ST-175G, ST-175BC, GST, HLT-17C)
18	A03834	1	BLADE- Cut off (ST-145, ST-155)
19	81261	2	NUT- (10-24)
20	82531	2	SCREW- (10-24 x 7/8")
	A03832	1	BLADE- Cut-off (ST-175C, ST-175G, ST-175BC, HGT, HLT-16, HLT-17C)
	81261	2	NUT- (10-24)
	82531	2	SCREW- (10-24 x 7/8")
	A03833	1	BLADE- Cut-off (GST)
	81261	2	NUT (10-24)
	82531	2	SCREW (10-24 x 7/8")
21	A98231A	1	HOUSING & EYELET- Dual line
22	98848	1	SPRING- Compression
23	82541	1	SCREW (#10 x 1/2")
24	DA98866A	1	RETAINER- Spool (R.H. Thread)
	A02781	1	RETAINER- Spool (ST-1 75BC, HLT-1 7C)
25	A97709A	1	HANDLE BAR (ST-175BC)
26	94474B	1	GRIP (ST-175BC)
27	88071	1	SCREW (ST-175BC, HLT-17C)
28	88078	1	SCREW (ST-175BC, HLT-17C)
29	00422	2	CLAMP (ST-175BC, HLT-17C)
30	83061	2	WASHER (ST-175BC, HLT-17C)
31	81267	2	NUT (ST-175BC, HLT-17C)
32	02617	1	ADAPTOR (ST-175BC, HLT-17C)

Ref #	Part Number	Qty	Description
33	DA02616A	1	BLADE- Weed (ST-175BC, HLT-17C)
34	00580	1	WASHER- Cupped (ST-175BC, HLT-17C)
35	83030	1	WASHER (ST-175BC, HLT-17C)
36	80085	1	SCREW (ST-175BC, HLT-17C)
37	95231	1	PLATE- Indicating (ST-1 75C, ST-1 75BC, HLT-17C)
38	72084A1	1	NUT (ST-175C, ST-175BC, HLT-17C)
39	93653	1	SWITCH- Toggle (ST-175C, ST-175BC, HLT-17C)
40	A98918	1	LEAD- Electrical (ST-175C, ST-175BC, HLT-17C)
41	A98919	1	A LEAD- Ground (ST-175C, ST-175BC, HLT-17C)
42	DA92703B	1	HARNESSE w/connector (GST, ST-175BC, HLT-17C)
43	A02951	1	HANDLE BAR ("J") (HLT-17C)
44	94474B	1	GRIP (HLT-17C)

**Ⓜ CARBURETOR**  
**Ⓜ CARBURATEUR**  
**Ⓜ CARBURATEUR**  
**Ⓜ VERGASER**  
**Ⓜ CARBURATORE**  
**Ⓜ CARBURADOR**  
**Ⓜ CARBURADOR**

<b>Ⓜ ZAMA</b> .....	<b>A-03003</b>
<b>Ⓜ Repair Kit</b> .....	<b>A-03079</b>
<b>Ⓜ Jeu de réparation</b>	
<b>Ⓜ Reparatieset</b>	
<b>Ⓜ Reparatursatz</b>	
<b>Ⓜ Kit per riparazioni</b>	
<b>Ⓜ Juego de reparación</b>	
<b>Ⓜ Jogo de reparação</b>	

<b>Ⓜ Gasket/Diaphragm Kit</b> .....	<b>A-03050</b>
<b>Ⓜ Jeu joint/diaphragme</b>	
<b>Ⓜ Pakking/membraan set</b>	
<b>Ⓜ Dichtung/Membrane-Satz</b>	
<b>Ⓜ Kit diaframma/guarnizione</b>	
<b>Ⓜ Conjunto junta/diafragma</b>	
<b>Ⓜ Jogo de juntas vedantes/diafragmas</b>	

<b>Ⓜ Primer Bulb</b> .....	<b>A-01195-A</b>
<b>Ⓜ Bouton d'amorçage</b>	
<b>Ⓜ Voorinspuitpomp</b>	
<b>Ⓜ Vorpumpe</b>	
<b>Ⓜ Ciochetto</b>	
<b>Ⓜ Bulbo cebador</b>	
<b>Ⓜ Bolha de unidade de escorvagem</b>	

<b>Ⓜ Primer Base* (Aluminum)</b> .....	<b>A-01194</b>
<b>Ⓜ Primer Base* (Plastic)</b> .....	<b>A-03062</b>

<b>Ⓜ Base d'amorçage* (aluminium)</b>	
<b>Ⓜ Base d'amorçage* (plastique)</b>	
<b>Ⓜ Voorinspuit-sokkel* (aluminium)</b>	
<b>Ⓜ Voorinspuit-sokkel* (plastic)</b>	
<b>Ⓜ Vorpumpen-Sockel* (Aluminium)</b>	
<b>Ⓜ Vorpumpen-Sockel* (Plastic)</b>	
<b>Ⓜ Base del ciochetto* (aluminio)</b>	
<b>Ⓜ Base del ciochetto* (plastic)</b>	
<b>Ⓜ Base de cebador* (aluminio)</b>	
<b>Ⓜ Base de cebador* (plástico)</b>	
<b>Ⓜ Base da unidade de escorvagem* (Aluminio)</b>	
<b>Ⓜ Base da unidade de escorvagem* (Plástico)</b>	

**Ⓜ \*Primer Base kits are not interchangeable.**  
**Ⓜ \*Les jeux de base d'amorçage ne sont pas interchangeables.**  
**Ⓜ \*Sokkel-zets voor voorinspuiten zijn niet verwisselbaar.**  
**Ⓜ \*Sockelsätze für die Vorpumpe sind nicht austauschbar.**  
**Ⓜ \*I kit della base del ciochetto non sono intercambiabili.**  
**Ⓜ \*Los juegos de base de cebador no son intercambiables.**  
**Ⓜ \*Os jogos de base da unidade de escorvagem não são intercambiáveis.**

<b>Ⓜ Swivel Kit</b> .....	<b>A-00288</b>
<b>Ⓜ Jeu de pivots</b>	
<b>Ⓜ Zwenkast</b>	
<b>Ⓜ Drehzapfen-Satz</b>	
<b>Ⓜ Serie di ingranaggi girevoli</b>	
<b>Ⓜ Juego de enganche giratorio</b>	
<b>Ⓜ Jogo da rótula</b>	

<b>Ⓜ WALBRO</b> .....	<b>A-03003</b>
<b>Ⓜ Repair Kit</b> .....	<b>A-02065</b>
<b>Ⓜ Jeu de réparation</b>	
<b>Ⓜ Reparatieset</b>	
<b>Ⓜ Reparatur-Satz</b>	
<b>Ⓜ Kit di riparazione</b>	
<b>Ⓜ Juego de reparación</b>	
<b>Ⓜ Jogo de reparação</b>	

<b>Ⓜ Gasket/Diaphragm Kit</b> .....	<b>A-00285-A</b>
<b>Ⓜ Jeu joint/diaphragme</b>	
<b>Ⓜ Pakking/membraan set</b>	
<b>Ⓜ Dichtung/Membrane-Satz</b>	
<b>Ⓜ Kit diaframma/guarnizione</b>	
<b>Ⓜ Conjunto junta/diafragma</b>	
<b>Ⓜ Jogo de juntas vedantes/diafragmas</b>	

<b>Ⓜ Swivel Kit</b> .....	<b>A-00288</b>
<b>Ⓜ Jeu de pivots</b>	
<b>Ⓜ Zwenkast</b>	
<b>Ⓜ Drehzapfen-Satz</b>	
<b>Ⓜ Serie di ingranaggi girevoli</b>	
<b>Ⓜ Juego de enganche giratorio</b>	
<b>Ⓜ Jogo da rótula</b>	

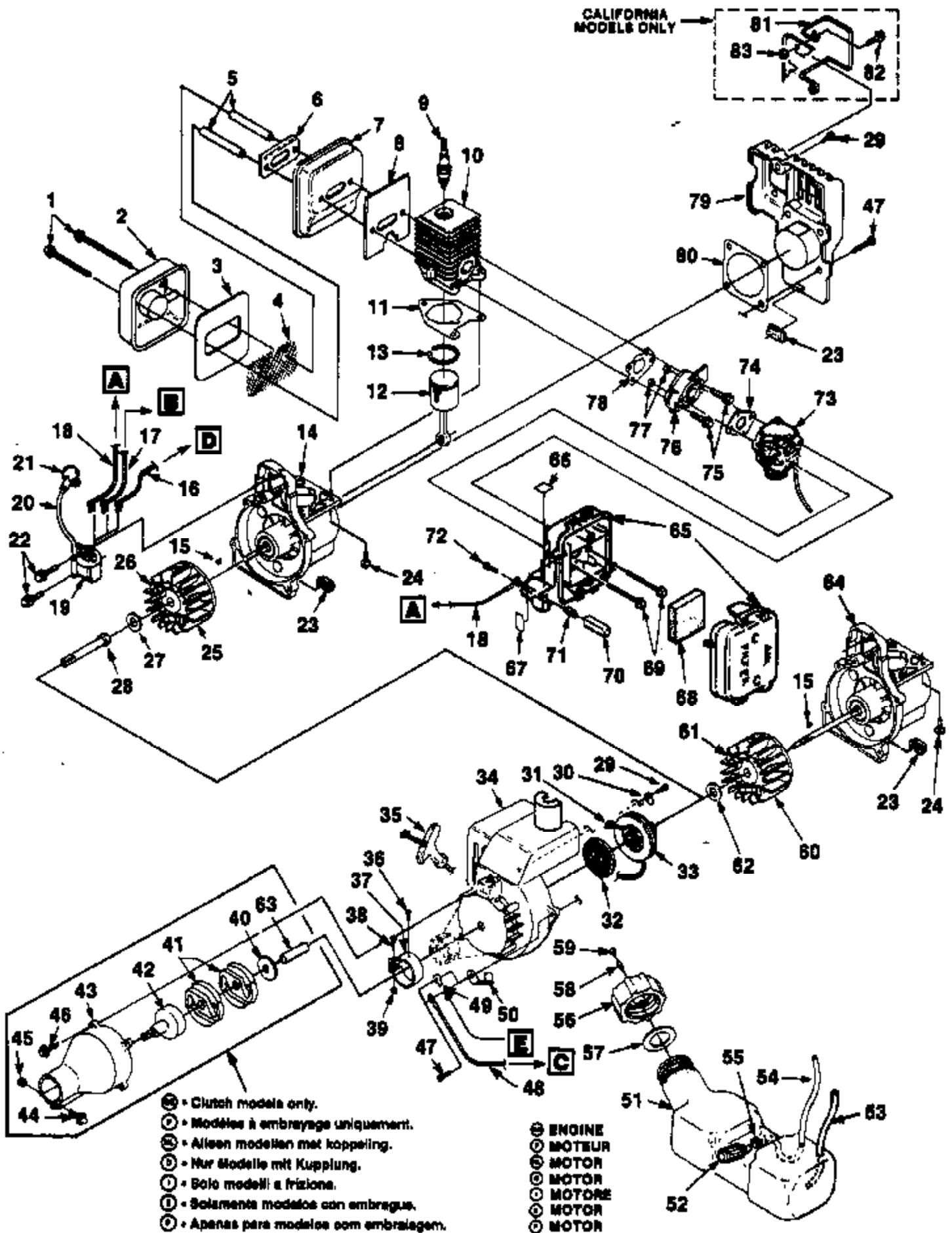
<b>Ⓜ Primer Bulb</b> .....	<b>01201</b>
----------------------------	--------------

<b>Ⓜ Bouton d'amorçage</b>	
<b>Ⓜ Voorinspuitpomp</b>	
<b>Ⓜ Vorpumpe</b>	
<b>Ⓜ Ciochetto</b>	
<b>Ⓜ Bulbo cebador</b>	
<b>Ⓜ Bolha de unidade de escorvagem</b>	

<b>Ⓜ Primer Base*</b> .....	<b>A-01190-A</b>
-----------------------------	------------------

<b>Ⓜ Base d'amorçage*</b>	
<b>Ⓜ Voorinspuit-sokkel*</b>	
<b>Ⓜ Vorpumpen-Sockel*</b>	
<b>Ⓜ Base del ciochetto*</b>	
<b>Ⓜ Base de cebador*</b>	
<b>Ⓜ Base da unidade de escorvagem*</b>	

Ref #	Part Number	Qty	Description
A-03003	A03003	1	ZAMA
A-03979	A03979	1	Repair Kit
A-03980	A03980	1	Gasket/Diaphragm Kit
A-01195-A	A01195A	1	Primer Bulb
A-01194	A01194	1	Primer Base (Aluminum) Primer Base kits are not interchangeable.
A-03062	A03062	1	Primer Base (Plastic) Primer Base kits are not interchangeable.
A-00289	A00289	1	Swivel Kit
A-03002	A03002	1	WALBRO
A-02665	A02665	1	Repair Kit
A00285A	A00285A	1	Gasket/Diaphragm Kit
A-00289	A00289	1	Swivel Kit
01201	01201	1	Primer Bulb
A-01200-A	A01200A	1	Primer Base Primer Base kits are not interchangeable.





Ref #	Part Number	Qty	Description
1	88060	2	SCREW- (10-24 x 2 1/2")
2	A98780	1	COVER- Muffler
3	98782	1	BAFFLE- Muffler
4	98784A	1	SCREEN- Spark
5	98860A	2	SPACER- Muffler
6	98783	1	PLATE- Reinforcing
7	A01323	1	BODY- Muffler
8	98786B	1	GASKET- Muffler
9	96169S	1	SPARK PLUG (DJ7Y)
	79252	1	SPARK PLUG (RDJ7Y) (Int'l)
10	A00108	1	CYLINDER & GASKET (ST-145,ST-155,ST-175BCST-175C,ST-175G,ST-185BC,ST-
11	03703A	1	GASKET- Cylinder
	A03785A	1	CYLINDER & GASKET (HLT-16,HLT-17C,HLT-28,HBC-18,HBC-30,HBC-30B)
12	03703A	1	GASKET- Cylinder
	A04258	1	PISTON & ROD ASSEMBLY (ST-145,ST-155,ST-175BC,ST-175C,ST-175G,ST-185BC
13	96935	1	RING- Piston
	A03705	1	PISTON & ROD ASSEMBLY (HLT-16,HLT-17C,HLT-28,HBC-18,HBC-30,HBC-30B)
14	03179	2	RING- Piston
	A00517	1	CRANKCASE (ST-145, ST-155, ST-175G, ST-275, GST, HGT)
15	A00574	1	CRANKCASE (HLT-16, HLT-28)
16	69250	1	KEY- Woodruff
17	A00681	1	LEAD- Electrical (ST-385BC, HBC-30, HBC-30B)
	A98918	1	LEAD- Electrical (ST-175BC,ST-175C,ST-185BC,ST-285BC,HLT-17C,HBC-18)
18	A98809	1	LEAD- Electrical (ST-145,ST-155,ST-175G,ST-275,GST,HGT,HLT-16,HLT-28
19	94711CS	1	MODULE- Ignition
20	69326	1	LEAD- High-Tension
21	A33055	1	TERMINAL- High-Tension
22	82540	2	SCREW- Taptite (8-32 x 1")
23	98792	3	BUMPER- Rubber
24	82569	3	SCREW- (10-24 x 3/4") (T-27)
25	A04158	1	ROTOR (ST-145, ST-155, ST-175G, ST-275, HGT, GST, HLT-16, HLT-28)
26	A70285E	1	KIT- Starter pawl
27	84065	1	WASHER- Flat (5/16") (ST-145,ST-155,ST-175GST-275,GST,HGT,HLT-16,HLT
28	98795A	1	CONNECTOR- Drive (ST-145, ST-155, ST-175G, ST-275, HLT-16, HLT-28)
29	82541	4	SCREW- Plastite (10 x 1/2")
30	98791	1	BRACKET- Retaining
31	9789902	1	ROPE- Starter (42")
32	A98773	1	SPRING & CONTAINER
33	98770	1	PULLEY- Starter
34	A02576B	1	HOUSING Engine (ST-175BC,ST-175C,ST-185BC,ST-285BC,ST-385BC,HLT-17

Ref #	Part Number	Qty	Description
	A02575B	1	HOUSING- Engine (ST-145, ST-155, ST-175G, ST-275, HLT-16, HLT-28)
35	02264	1	GRIP- Starter
36	82522	1	SCREW- Pan hd. (#10 x 3/8")
37	98802A	1	CLAMP
38	82268	1	SCREW- Hex sems (10-24 x 3/8")
39	97574	1	NUT- Square
40	98929A	1	WASHER- Clutch (ST-175BC,ST-175C,ST-185BC,ST-285BC,GST-BC,HLT-17C,
41	00242	1	CLUTCH (ST-175BC, ST-175C,ST-185BC,ST-285BC,ST-385BC,GST-BC,HLT-17C-I
42	A02727	1	CONNECTOR & DRUM (ST-175BC,ST-175C,ST-185BC,ST-285BC,ST-85BC,GST-BC
	A03485A	1	CONNECTOR & DRUM (HLT-17C-UT2059-A, HBC-18, HBC-30, HBC-30B)
43	A02396A	1	TUBE ADAPTOR (ST-175BC,ST-175C,ST-185BC,ST-285BC,ST-385BC,GST-BC
44	88054	1	SCREW (10-24 x 1 1/4")
45	81208	1	NUT (10-24)
46	88052	1	SCREW (10-24 x 7/8")
47	82538	1	SCREW- Taptite (10-24 x 3/4")
48	A98919A	1	LEAD- Ground
49	02851	1	TERMINAL
50	A98808	1	BRACKET- Cable
51	A01441	1	TANK- Fuel
52	49422	1	FILTER- Fuel
53	0143932	1	TUBING- Rubber (8")
54	9477232	1	TUBING- Rubber (8")
55	98268	1	CLAMP- Wire
56	A00982A	1	FUEL CAP ASSEMBLY
57	98805A	1	GASKET- Fuel cap
58	03134	1	VALVE- Duck bill
59	98913	1	FILTER- Cap
60	A00856	1	ROTOR (ST-175BC,ST-175C,ST-185BC,ST-285BC,ST-385BC,GST-BC
61	A70285E	1	STARTER PAWL
62	95479A	1	WASHER
63	035662	1	SPACER
	A00857	1	ROTOR (HLT-17C-UT-20596-A, HLT-16, HLT-28, HBC-18, HBC-30, HBC-30B)
	A70285E	1	STARTER PAWL
	95479A	1	WASHER
	035661	1	SPACER
64	A00575	1	CRANKCASE (ST-175BC, ST-175C, ST-185BC, ST-285BC, ST-385BC, GST-BC)
	A00551	1	CRANKCASE (HLT-17C, HBC-18, HBC-30, HBC-30B)
65	A01440A	1	AIR FILTER BOX
66	98943	1	DECAL- Push-Hold
67	00772	1	DECAL- Choke-Run
68	D98760A	1	FILTER- Air
69	82542	1	SCREW- (10-24 x 2 1/4")
70	98769	1	BUTTON- Switch
71	95020	1	SPRING- Compression

Ref #	Part Number	Qty	Description
72	93923	1	SCREW- Plastite (#6)
73	A03003	1	CARBURETOR (Walbro)
	A03002	1	CARBURETOR (Zama)
74	98766A	1	GASKET- Carburetor
75	825491	1	SCREW- Taptite (10-24 x 1")
76	98768	1	HEAT DAM
77	81208	1	NUT (10-24)
78	98765B	1	GASKET- Heat dam
79	A00858	1	CRANKCASE COVER
80	98767A	1	GASKET- Crankcase cover
81	A00254	1	WIRE GUARD KIT
82	88049	1	SCREW- Hex sems (10-24 x 1/2")
83	81208	1	NUT (10-24)