

Homelite®

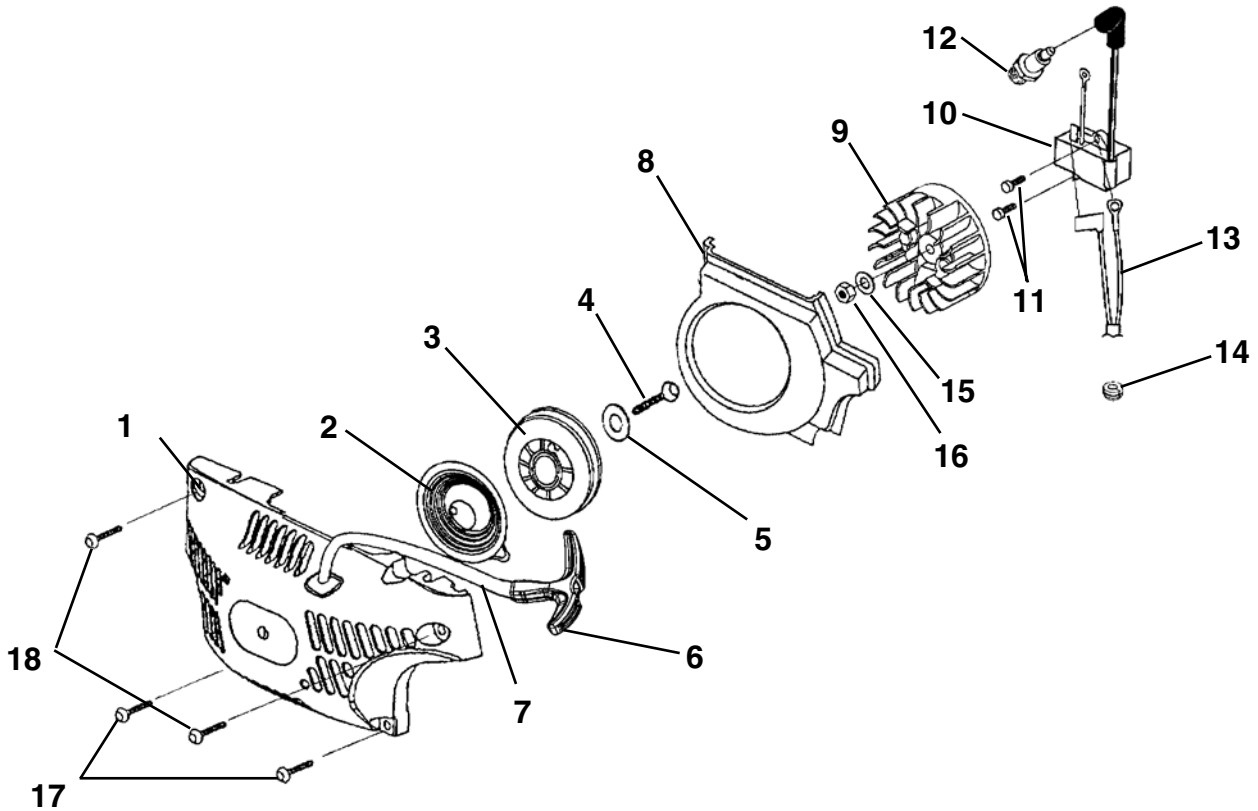
PARTS LIST



UT10947
UT10947A
33cc 16"

PART NO. 983000-125R

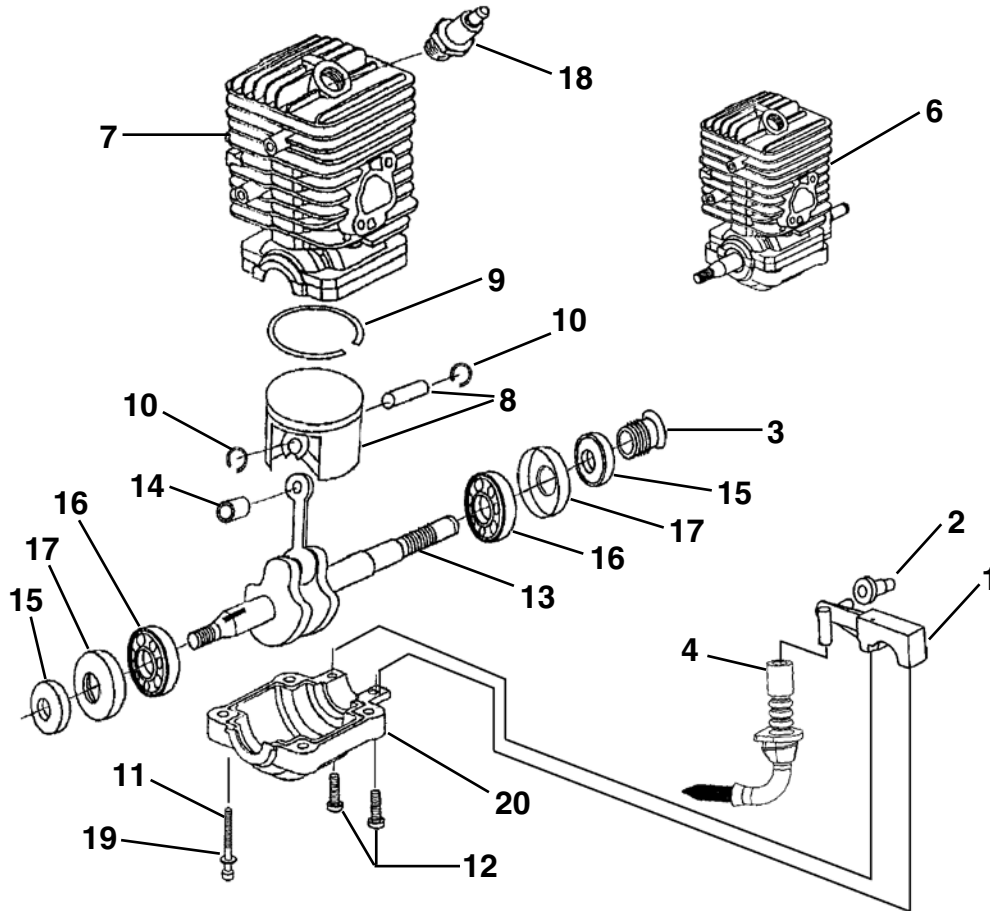
STARTER - IGNITION



NO.	PART NO.	DESCRIPTION	QTY.
1	UP06749 A	Starter Kit	1
2	A97908	Spring & Container	1
3	PS03117	Pulley, Starter	1
4	82621	Screw, Thread Form, Plastite (10-14 x 5/8")	1
5	94062	Washer, Retaining	1
6	PS06114	Grip, Starter	1
7	9789901	Rope, Starter 46"	1
8	06876	Baffle, Fan Housing	1
9	UP05850 A	Rotor & Starter Pawl	1
10	UP07865 A	Ignition Kit (33cc) PHELON	1
11	82575	Screw, Thread Form (8-32 x 5/8")	2
12	PS02227	Spark Plug	1
13	A07602 A	Ignition Switch Harness	1
14	07587	Grommet, Wire Harness (Split)	1
15	PS84065	Washer, Flat	1
16	81229 A	Nut, Jam	1
17	82620	Screw, Truss Hd., Plastite (10-14 x 7/8")	2
18	82621	Screw, Truss Hd., Plastite (10-14 x 5/8")	2

Item No.	Torque Specs		Required Loctite
	In/Lbs	Nm	
4	30-40	3.4-4.5	
11	30-40	3.4-4.5	242 Blue
12	120-180	13.6-20.3	
16	100-150	11.3-16.9	
17	30-40	3.4-4.5	
18	30-40	3.4-4.5	

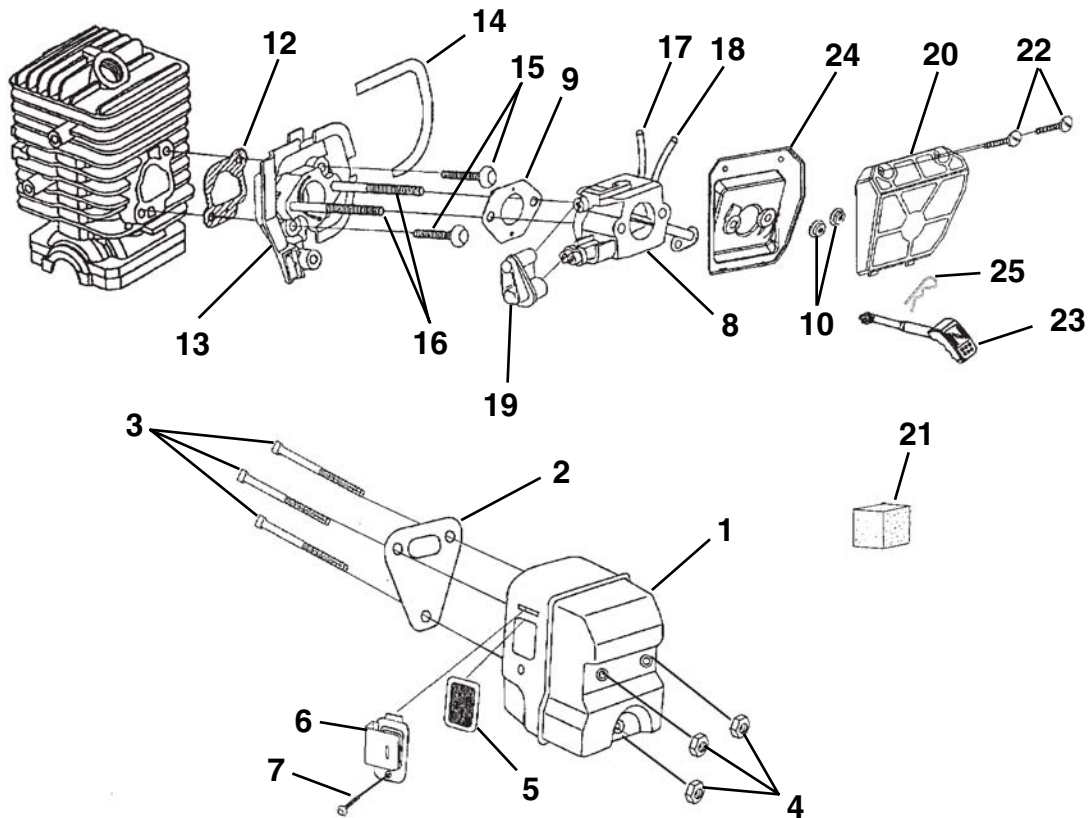
ENGINE INTERNAL - OIL PUMP



NO.	PART NO.	DESCRIPTION	QTY.
1	UP06602	Oil Pump Kit	1
2	06841	Grommet, Oil Outlet	1
3	06847	Left Hand Worm	1
4	PA01037	Oil Intake Tube w/Filter	1
6	UP03119 A	Short Block, Complete (33cc)	1
7	A08666 A	Cylinder Kit (33cc)	1
	06839	Gasket, Muffler (Not Shown)	1
	06840 A	Gasket, Heat Dam (Not Shown)	1
	98339	Gasket, Carburetor (Not Shown)	1
8	UP06971 A	Piston & Pin (33cc)	1
9	04933	Piston Ring	1
10	64813	Ring, Retaining	2
11	82527	Screw, Cap-Socket Hd. (10-24 x 2")	4
12	PS04989	Screw, Pan Hd., Plastite (8-32 x 5/8")	2
13	PA00979	Crankshaft & Rod Assembly	1
14	PS04921	Bearing, Needle	1
15	04920	Shaft Seal	2
16	A04931	Bearing & Rubber Case	2
17	04919	Rubber Case	1
18	PS02227	Spark Plug	1
19	84008	Washer	4
20	04909	Lower Crankcase	1

Item No.	Torque Specs		Required Loctite
	In/lbs	Nm	
11	65-75	7.3-8.5	262 Red
12	15-20	1.7-2.3	
18	120-180	13.6-20.3	

CARBURETOR - MUFFLER - AIR FILTER

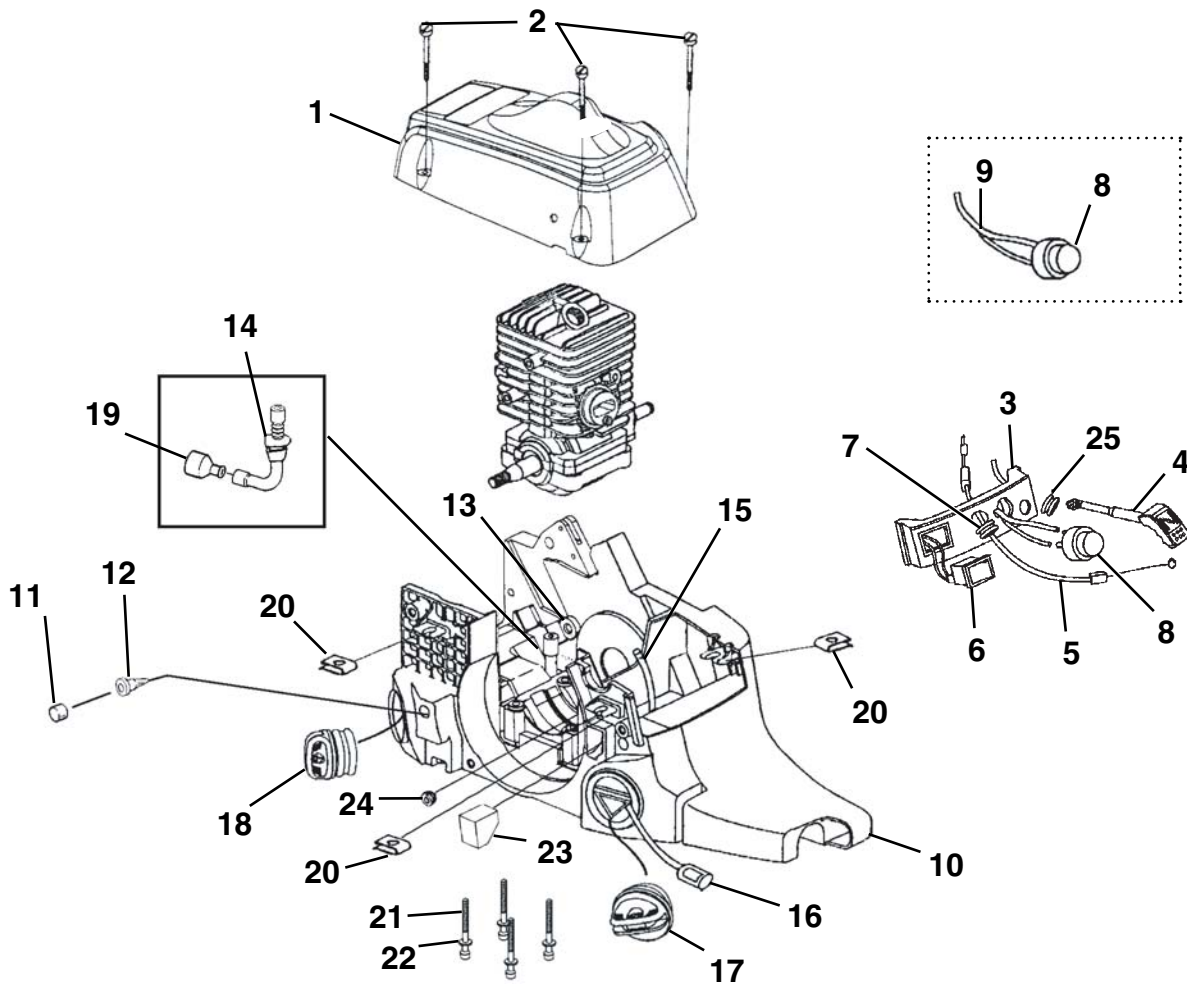


NO.	PART NO.	DESCRIPTION	QTY.
1	984890-001	Muffler Kit	1
2	06839	Muffler Gasket	1
3	PS04525	Screw-Square Hd.	3
4	81206	Nut-Locking Hex (10-32)	3
5	07394	Screen, Spark	1
6	07396 A	Deflector, Muffler	1
7	95922	Screw (8-32 x .312)	1
8	A09159 A	Carburetor Assembly	1
9	98339	Carburetor Gasket	1
10	07589	Flange Nut (10-24)	2
12	06840 A	Gasket, Heat Dam	1
13	04916	Heat Dam	1
14	06873	Seal, Heat Dam	1
15	82539	Screw, Truss Hd. Taptite (10-24 x 7/8")	2
16	06852	Screw, Carburetor	2
17	0745434	Fuel Line (Tank to Carburetor 8 1/2")	1
18	0745416	Fuel Line (Carburetor to Purge Bulb 4")	1
19	04907	Carburetor Grommet	1

NO.	PART NO.	DESCRIPTION	QTY.
	UP06753 A	Air Filter Kit	1
20	04938	Air Filter Cover	1
21	PS05070	Pre Filter (In engine housing)	1
22	82617	Screw-Slotted Pan Hd. (8-16 x 5/8")	2
23	PS06280	Rod, Choke	1
24	04937	Air Filter Plate	1
25	08939	Spring Clip (Choke Rod)	1

Item No.	Torque Specs		Required Loctite
	In/Lbs	Nm	
4	50-60	5.6-6.7	
10	30-40	3.4-4.5	
15	45-55	5.0-6.2	
22	15-20	1.7-2.3	

ENGINE HOUSING - FUEL TANK - OIL TANK

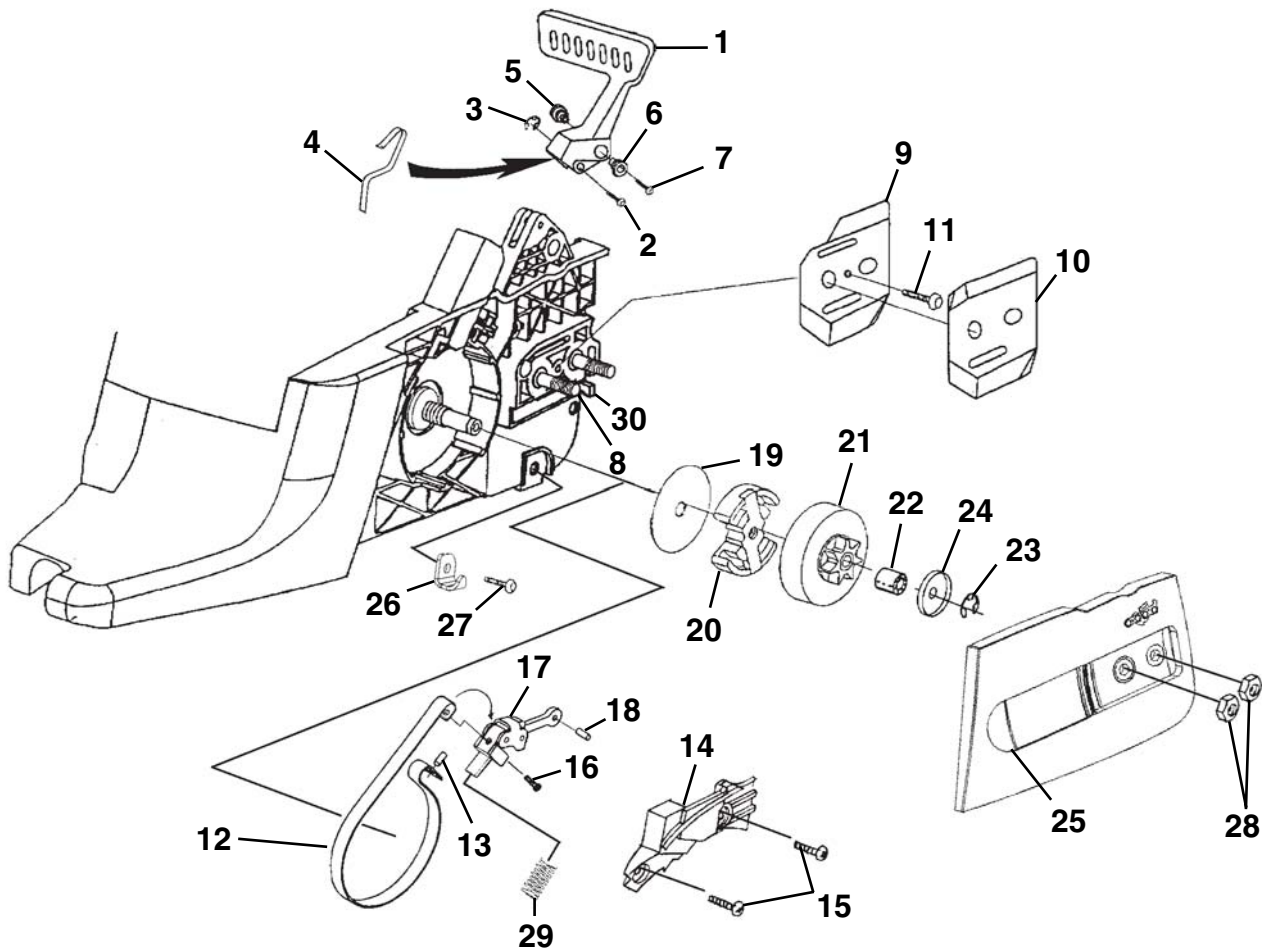


NO.	PART NO.	DESCRIPTION	QTY.
1	UP08724	Cylinder Cover Kit	1
2	07597	Screw-Slotted Pan Hd.	3
	PS06323	Kickback-Decal	1
	PS06324	Safety Decal	1

NO.	PART NO.	DESCRIPTION	QTY.
3	PS03503	Control Panel	1
4	PS06280	Rod, Choke	1
5	A07596B	Throttle Cable	1
6	PS02369	Switch, Rocker	1
7	07587	Grommet - Split	2
8	01183	Primer Bulb	1
9	0745422	Rubber Tubing (5 1/2")	1
10	UP08721	Chassis	1
11	07403	Element, Filter (Bronze)	2
12	03134	Duck Bill Valve	2
13	06841	Oil Outlet Grommet	1
14	PA01037	Oil Intake Tube w/Filter	1
15	0745434	Rubber Tubing (8 1/2")	1
16	PS03380	Fuel Filter	1
17	PA01645	Fuel Cap w/ Retainer	1
18	PA01646	Oil Cap w/ Retainer	1
	PS04881	Guide Bar Bolt (Not Shown)	2
19	A68593	Oil Filter	1
20	07598	Speed Nut ("U-Type")	3
21	82527	Screw, Cap-Socket Hd. (10-24 x 2")	4
22	84008	Washer	4
23	PS05070	Pre Filter	1
24	07587	Grommet-Split	1
25	64862	Grommet	1

Torque Specs			
Item No.	In/Lbs	Nm	Required Loctite
3	15-25	1.7-2.8	
21	65-75	7.3-8.5	262 Red

CLUTCH - CHAIN BRAKE - DRIVE CASE COVER

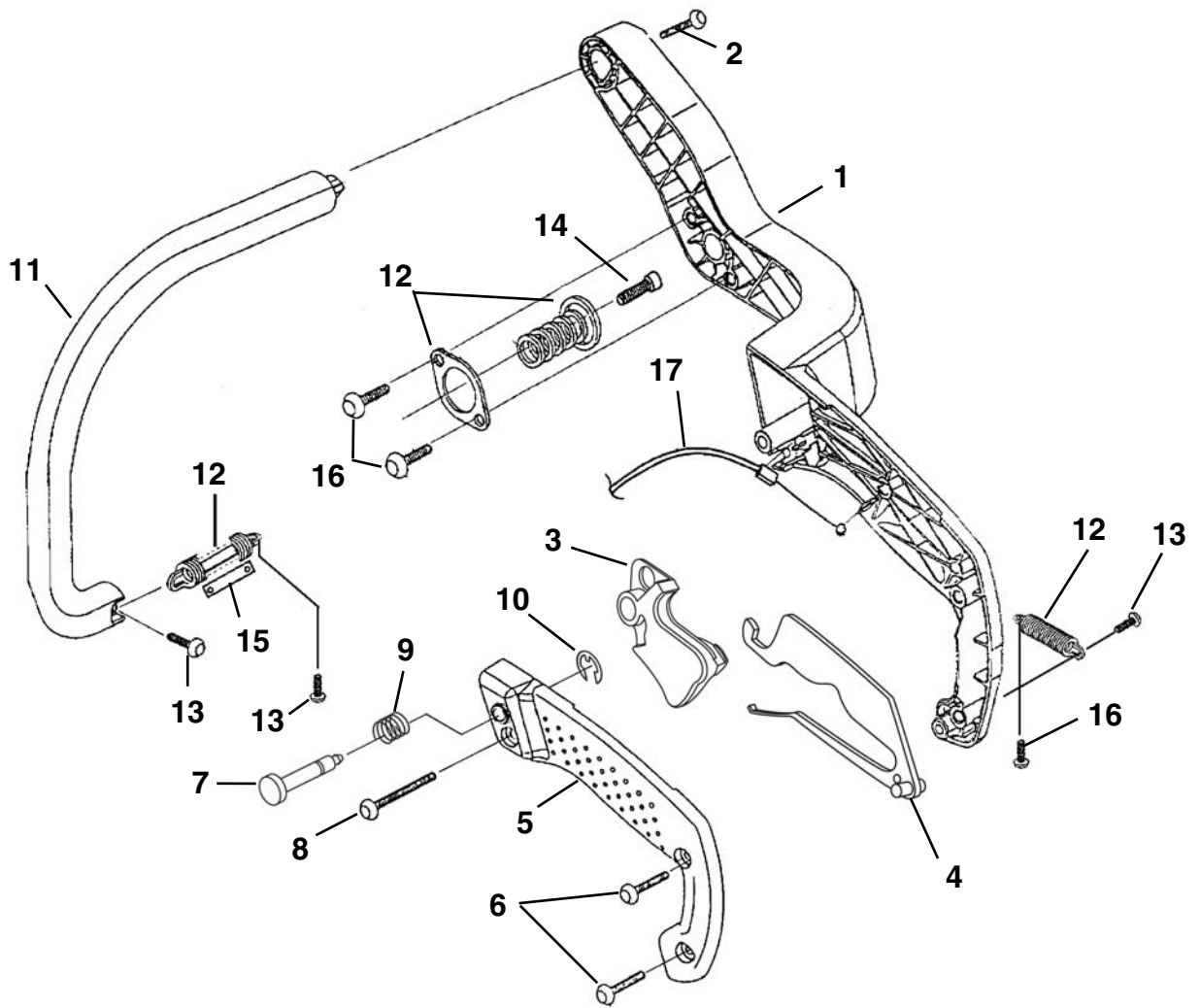


NO.	PART NO.	DESCRIPTION	QTY.
1	•UP06568 A	Hand Guard Kit	1
2	07580	Hand Guard Actuating Pin	1
3	69599	Retaining Ring	1
4	07613	Spring, Handguard	1
5	07393	Pivot, L.H.	1
6	07392	Pivot, R.H.	1
7	82624	Screw, Hex Socket Hd. (8-32 x 5/8")	1
8	PS04881	Guide Bar Bolt	2
9	07404 A	Plate, Guide Bar	1
10	07405 A	Plate, Guide Bar	1
11	82513	Screw, Thread Form (6-19 x 1/2")	1
12	•UP08097 A	Chain Brake Band Kit	1
13	06672	Pin, Roll	1
14	06843 A	Cover, Chain Brake	1
15	82513	Screw, Pan Hd. (6-19 x 1/2")	2
16	82623	Screw, Pan Hd. (8-16 x .320)	1
17	984897-001	Chain Brake Link	1
18	95395 A	Pin, Roll	1
19	04940	Thrust Washer	1
20	UP06727 A	Clutch & Hardware	1
21	•UP08727	Sprocket, Drum (.325 Pitch)	1
22	PS04669	Bearing, Needle	1
23	08981	Ring, Retaining	1
24	04939 A	Washer, Cupped	1

NO.	PART NO.	DESCRIPTION	QTY.
25	UP06975 A	Drive Case Cover	1
26	•UP05634 A	Chain Catcher	1
27	82541	Screw, Thread Form (10-24 x 1/2")	1
28	81196	Nut, Hex	2
29	984679-001	Spring, Compression	1
30	UP08000A	Adjusting Pin Assembly	1

Item No.	Torque Specs		Required Loctite
	In/Lbs	Nm	
7	25-35	2.8-3.9	242 Blue
14	8-18	0.9-2.0	
16	130-180	14.7-20.3	
23	30-50	3.4-5.6	
24	Hand Tight		
27	10-20	1.1-2.3	

HANDLES



NO.	PART NO.	DESCRIPTION	QTY.
1	UP08733	Rear Handle Kit	1
2	82615	Screw-Pan Hd. (12-14 x 1 1/2")	1
3	984354-002	Trigger, Throttle	1
4	PS06283	Throttle Lock Out	1
5	UP08731	Handle Cover Kit	1
6	82563	Screw, Thread Form (10-14 x 3/4")	2
7	PS06281	Throttle Lock Pin	1
8	82622	Screw, Thread Form (10-14 x 1 3/8")	1
9	08898	Spring	1
10	58409	E-Ring	1
11	UP07862 A	Front Handle Kit	1
12	82615	Screw-Pan Hd. (12-14 x 1 1/2")	1
12	UP08007 A	Isolator Kit	1
13	82621	Screw, Truss Hd. (10-14 x 5/8")	3
14	82597	Screw, Truss Hd. (10-24 x 5/8")	1
15	01812 A	Limiter, Isolator	1
16	82541	Screw, Thread Form (10-14 x 1/2")	3
17	A07596 B	Throttle Cable	1

Item No.	Torque Specs		Required Loctite
	In/Lbs	Nm	
8	30-40	3.4-4.5	
10	30-40	3.4-4.5	

ACCESSORIES

Length of Bar	Guide Bar Part Number	Chain Part Number
12"	PS06330	PS06328
14"	PS06331	PS06329
16"	PA01222	PS06285

Sealant Silicon	PS 24823
Rubber tubing (10')	0745499
Wrench - Combination	09207
Digital Tachometer	18416
Grease, Multi-purpose	18453

Compression Tester	94194
Bit, Torx T27	1856601
Carry Case	UP08681A
Adjusting Pin Kit	UP08000A

HOMELITE CONSUMER PRODUCTS, INC.

1428 Pearman Dairy Road Anderson, SC 29625

Post Office Box 1207, Anderson, SC 29622

Phone 1-800-chainsa (1-800-242-4672)

www.homelite.com

983000-125R

9-03