

Homelite®

PARTS LIST

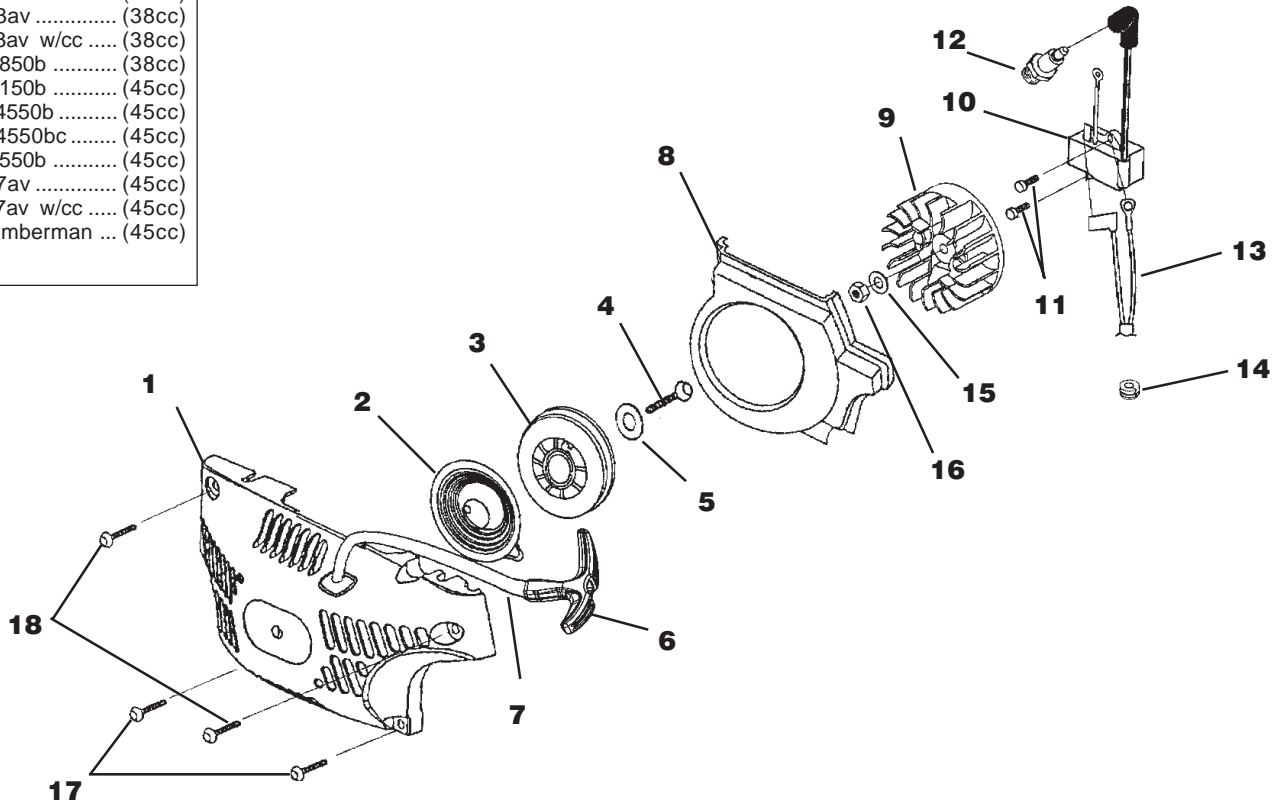


Models

i3350b	UT10868
BCS35	UT10878
d3850b	UT10861, UT10886
d3850bc	UT10865, UT10866, UT10887
23av	UT10846, UT10884
23av w/cc	UT10856, UT10858, UT10885, UT10888
i3850b	UT10869
i4150b	UT10867
d4550b	UT10860
d4550bc	UT10864
i4550b	UT10862
27av	UT10859
27av w/cc	UT10848, UT10863, UT10874
Timberman 45cc 18" cc	UT10910

- i3350b (33cc)
- BCS35 (33cc)
- d3850b (38cc)
- d3850bc (38cc)
- 23av (38cc)
- 23av w/cc (38cc)
- i3850b (38cc)
- i4150b (45cc)
- d4550b (45cc)
- d4550bc (45cc)
- i4550b (45cc)
- 27av (45cc)
- 27av w/cc (45cc)
- Timberman ... (45cc)

STARTER - IGNITION



NO.	PART NO.	DESCRIPTION	QTY.
1	•UP 06749	Starter Kit	1
2	UP 04092	Spring & Container	1
3	UP 05460	Pulley, Starter	1
4	UP 04237	Screw, Thread Form (10-14 x 5/8")	1
5	UP 04089	Washer, Retaining	1
6	UP 04216	Grip, Starter	1
7	UP 03911	Rope, Starter 46"	1
8	UP 04192	Baffle, Fan Housing	1
9	UP 05850	Rotor & Starter Pawl	1
10	• A 08676 A	Ignition Kit (33cc models)	1
	•UP 05851	Ignition Kit	1
		Both kits include:	
11	UP 04086	Screw, Thread Form (8-32 x 5/8")	2
12	UP 05875	Spark Plug	1
13	UP 04222	Ignition Switch Harness	1
14	UP 04215	Grommet, Wire Harness (Split)	1
15	UP 04241	Washer, Flat	1
16	UP 04081	Nut, Jam	1
17	UP 04236	Screw, Truss Hd. (10-14 x 7/8")	2
18	UP 04237	Screw, Truss Hd. (10-14 x 5/8")	2

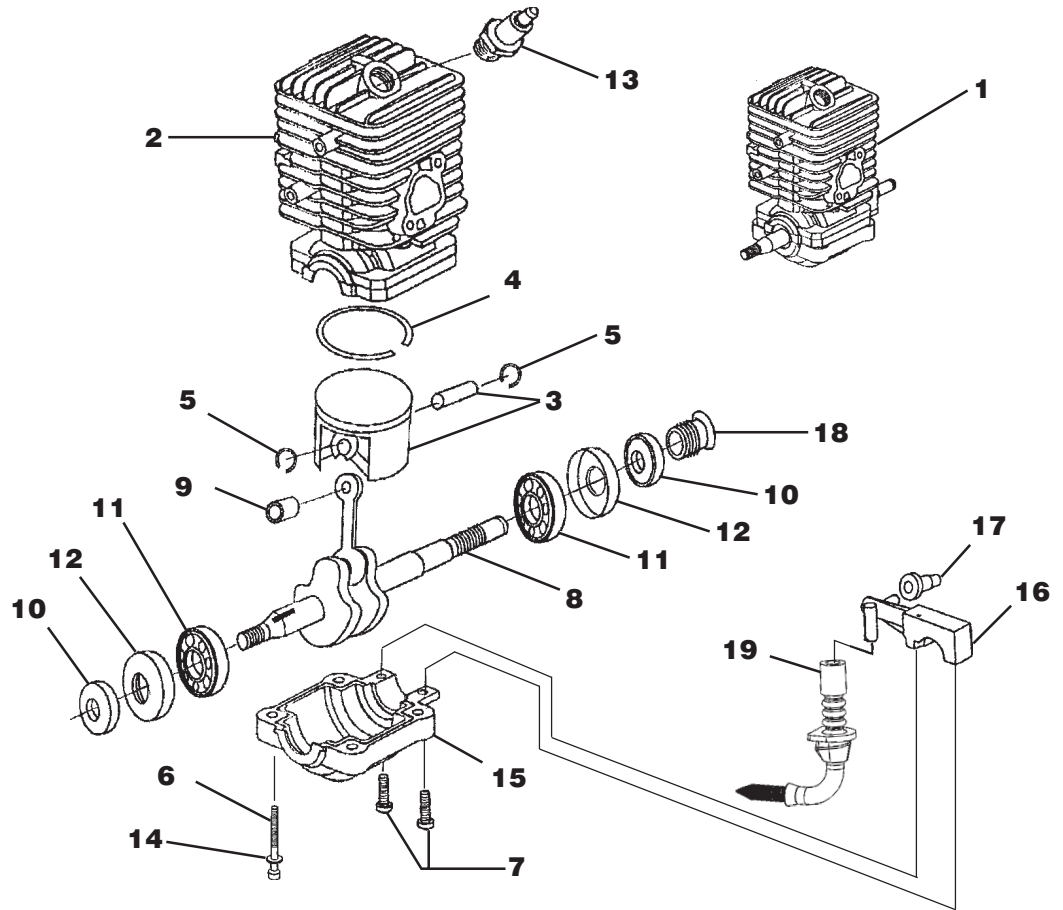
Torque Specs			
Item No.	In/Lbs	Nm	Required Loctite
4	30-40	3.4-4.5	
11	30-40	3.4-4.5	
12	120-180	13.6-20.3	
16	100-150	11.3-16.9	
17	30-40	3.4-4.5	
18	30-40	3.4-4.5	

Warranty Flat Rate		
Job	Description	Time/Hr.
FA11	Solid State Module	0.3
FA12	Ground Wire Harness	0.3
FG10	Starter Assy	0.3

[Order Homelite Chainsaw Parts on eBay](https://www.ebay.com/str/homelite)

- i3350b (33cc)
- BCS35 (33cc)
- d3850b (38cc)
- d3850bc (38cc)
- 23av (38cc)
- 23av w/cc (38cc)
- i3850b (38cc)
- i4150b (45cc)
- d4550b (45cc)
- d4550bc (45cc)
- i4550b (45cc)
- 27av (45cc)
- 27av w/cc (45cc)
- Timberman ... (45cc)

ENGINE INTERNAL - OIL PUMP



NO.	PART NO.	DESCRIPTION	QTY.
1	•UP 03119	Short Block, Complete (33cc)	1
	UP 04161	Short Block, Complete (38cc)	1
	UP 04166	Short Block, Complete (45cc)	1
2	• A 08666	Cylinder Kit (33cc)	1
	A 08667	Cylinder Kit (38cc)	1
	UP 00129	Cylinder Kit (45cc)	1
	UP 04183	Gasket, Muffler (Not Shown)	1
	UP 04184	Gasket, Heat Dam (Not Shown)	1
	UP 04094	Gasket, Carburetor (Not Shown)	1
	3	•UP 06971	Piston & Pin (33cc)
4	UP 04177	Piston Ring (33cc)	1
5	UP 04051	Ring, Retaining	2
3	• A 08669	Piston & Pin (38cc)	1
	UP 04190	Piston Ring (38cc)	1
5	UP 04051	Ring, Retaining	2
3	•UP 00130	Piston & Pin (45cc)	1
	UP 04231	Piston Ring (45cc)	1
5	UP 04051	Ring, Retaining	2
6	UP 04083	Screw, Cap-Socket Hd. (10-24 x 2")	4
7	UP 03898	Screw, Pan Hd., Plastite (8-16 x 5/8")	2
8	•UP 03118	Crankshaft & Rod Assy (33 & 38cc)	1
	•UP 04165	Crankshaft & Rod Assy (45cc)	1
9	UP 04174	Bearing, Needle	1
10	UP 04047	Shaft Seal	2
11	•UP 04176	Bearing & Rubber Case	2
	UP 04046	Rubber Case	2

NO.	PART NO.	DESCRIPTION	QTY.
13	UP 04093	Spark Plug	1
14	UP 04087	Washer	4
15	UP 04172	Lower Crankcase (33 & 38cc)	1
	UP 04232	Lower Crankcase (45cc)	1
16	•UP 06602	Oil Pump Kit	1
17	UP 04185	Grommet, Oil Outlet	1
18	UP 04188	Left Hand Worm	1
19	UP 04048	Oil Intake Tube w/Filter	1

Torque Specs			
Item No.	In/Lbs	Nm	Required Loctite
665-75 7.3-8.5 262 Red
7 15-20 1.7-2.3	
13 120-180 13.6-20.3	

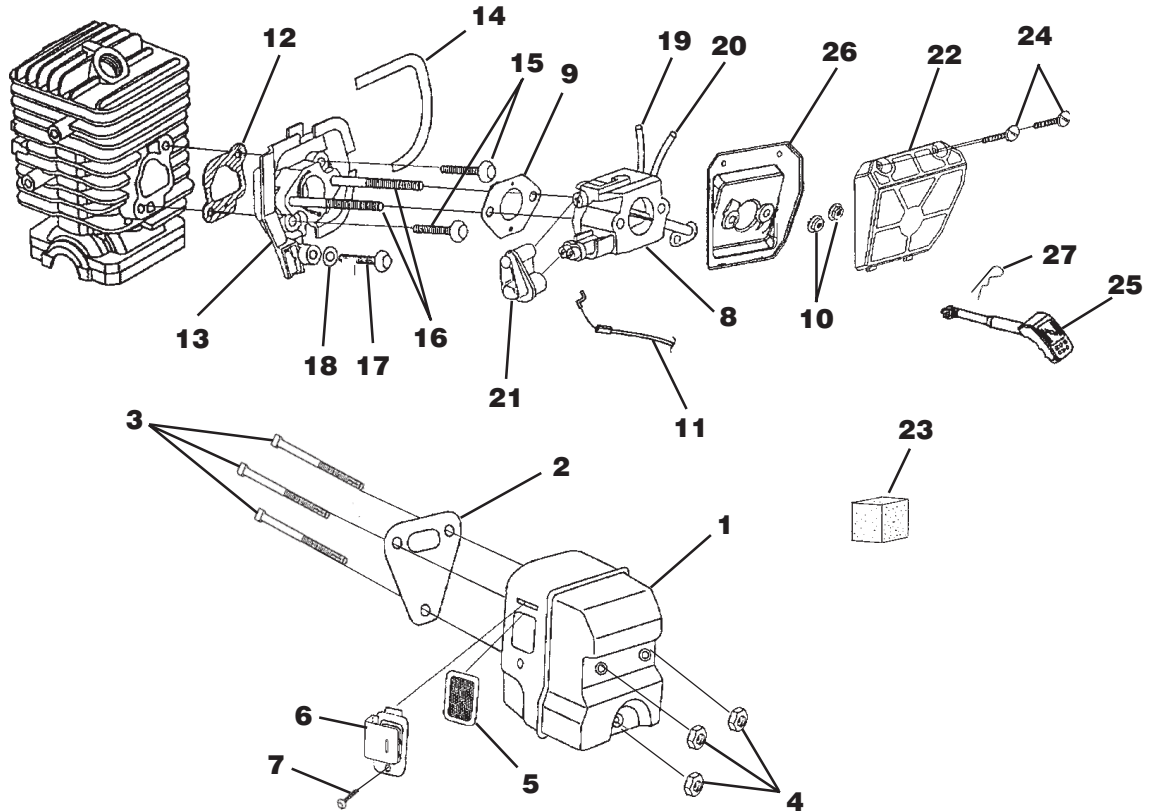
Warranty Flat Rate		
Job	Description	Time/Hr.
FE11	... Automatic Oiler 1.0
FB10	... Partial Engine Rebuild 1.0
FB20	... Short Block 1.0
FB15	... C/Case Seal (per side) 0.6

3/15/2001

Order Homelite Chainsaw Parts on eBay

CARBURETOR - MUFFLER - AIR FILTER

i3350b	(33cc)
BCS35	(33cc)
d3850b	(38cc)
d3850bc	(38cc)
23av	(38cc)
23av w/cc	(38cc)
i3850b	(38cc)
i4150b	(45cc)
d4550b	(45cc)
d4550bc	(45cc)
i4550b	(45cc)
27av	(45cc)
27av w/cc	(45cc)
Timberman ...	(45cc)



NO.	PART NO.	DESCRIPTION	QTY.
1	•UP 06752	Muffler Kit (33/38cc)	1
	•UP 00126	Muffler Kit (45cc)	1
2	UP 04183	Muffler Gasket	1
3	UP 04049	Screw-Square Hd.	3
4	UP 04059	Nut-Locking Hex (10-32)	3
5	UP 04203	Screen, Spark	1
6	UP 04204	Deflector, Muffler (33/38cc)	1
	UP 04069	Deflector, Muffler (45cc)	1
7	UP 04244	Screw	1
8	•UP 06737	Carburetor Assy (33 & 38cc)	1
	•UP 00125	Carburetor Assy (45cc)	1
	• A 09160	Carburetor Assy (Int'l 33cc, Int'l 38cc)	1
	•UP 00499	Carburetor Assy (Int'l 41cc, Int'l 45cc)	1
9	UP 04094	Carburetor Gasket	1
10	UP 04217	Flange Nut (10-24)	2
11	UP 04218	Throttle Cable	1
12	UP 04184	Gasket, Heat Dam	1
13	UP 04173	Heat Dam	1
14	UP 04191	Seal, Heat Dam	1
15	UP 04084	Screw, Truss Hd. Taptite (10-24 x 7/8")	2
16	UP 04189	Screw, Carburetor	2
17	UP 03897	Screw, Thread Form (10-14 x 1/2")	1
18	UP 03867	Washer, Retaining	1
19	UP 04211	Fuel Line (Tank to Carburetor 8 1/2")	1
20	UP 04209	Fuel Line (Carburetor to Purge Bulb 4")	1
21	UP 04171	Carburetor Grommet	1

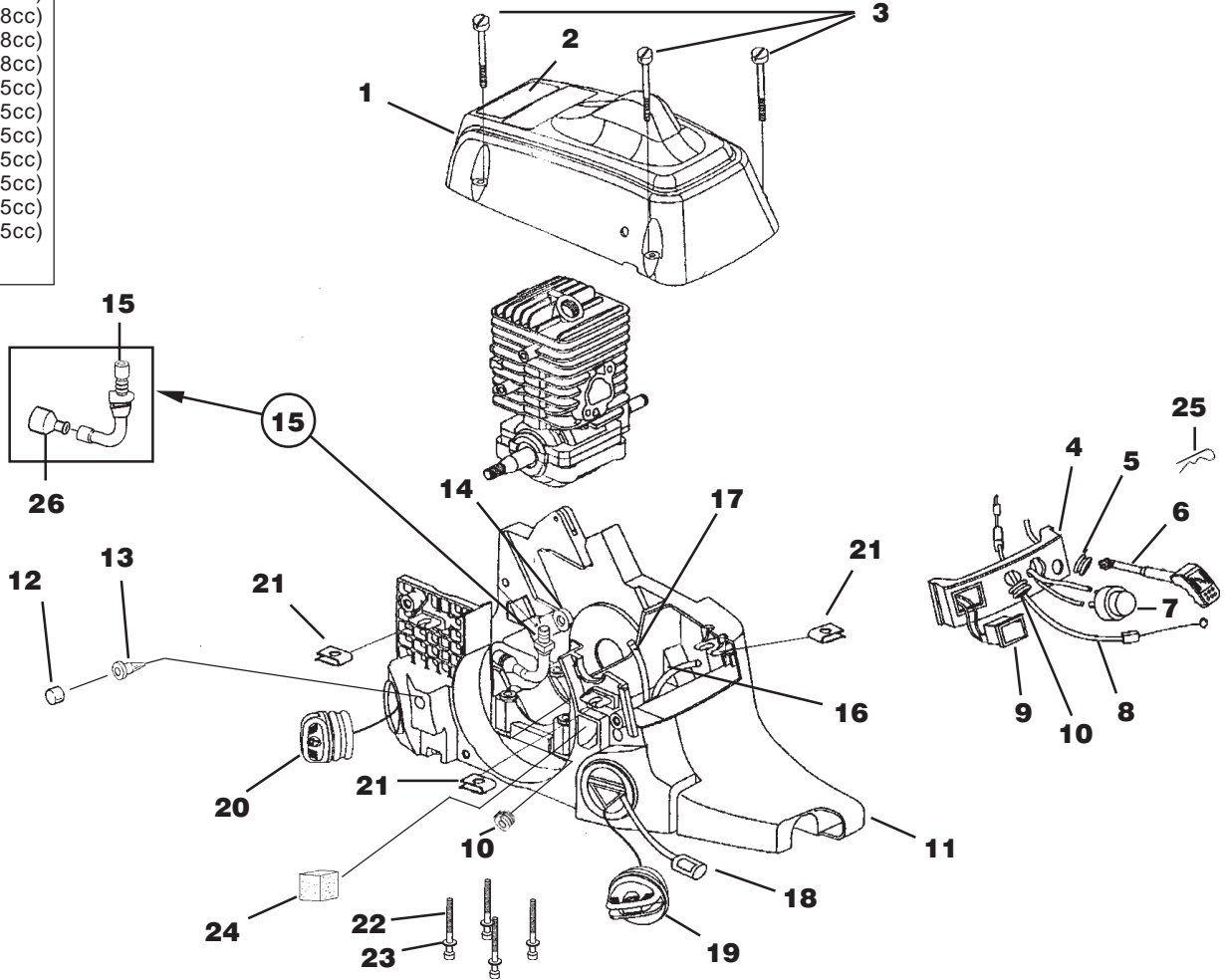
NO.	PART NO.	DESCRIPTION	QTY.
	•UP 06753	Air Filter Kit	1
22	UP 04533	Air Filter Cover	1
23	UP 04208	Pre Filter (In engine housing)	1
24	UP 04235	Screw-Slotted Pan Hd. (8-16 x 5/8")	2
25	UP 04213	Rod, Choke	1
26	UP 04178	Air Filter Plate	1
27	UP 04227	Spring Clip (Choke Rod)	1

Torque Specs			
Item No.	In/Lbs	Nm	Required Loctite
4	50-60	5.6-6.7	
10	30-40	3.4-4.5	
15	45-55	5.0-6.2	
17	30-40	3.4-4.5	
24	15-20	1.7-2.3	

Warranty Flat Rate		
Job	Description	Time/Hr.
FB18	Muffler	0.3
FF10	Carb. Replace	0.4
FF12	Fuel Line	0.3
FF44	Air Filter System	0.2
FF17	Heat Dam	0.6
FF15	Choke	0.3
FF13	Throttle Cable	0.5

ENGINE HOUSING - FUEL TANK - OIL TANK

i3350b	(33cc)
BCS35	(33cc)
d3850b	(38cc)
d3850bc	(38cc)
23av	(38cc)
23av w/cc	(38cc)
i3850b	(38cc)
i4150b	(45cc)
d4550b	(45cc)
d4550bc	(45cc)
i4550b	(45cc)
27av	(45cc)
27av w/cc	(45cc)
Timberman ...	(45cc)



NO.	PART NO.	DESCRIPTION	QTY.
1	• A 08692	Cylinder Cover Kit	1
2	UP 04212	Safety Decal	1
3	UP 04219	Screw-Slotted Pan Hd.	3
4	UP 04193	Control Panel	1
5	UP 04052	Grommet	1
6	UP 04213	Rod, Choke	1
7	UP 04033	Bulb, Air Purge	1
8	UP 04218	Throttle Cable	1
9	UP 04197	Switch, Rocker	1
10	UP 04215	Grommet - Split	2
11	• UP 06754	Engine Housing	1
12	UP 04205	Element, Filter (Bronze)	2
13	UP 04045	Duck Bill Valve	2
14	UP 04185	Oil Outlet Grommet	1
15	UP 04048	Oil Intake Tube	1
16	UP 04210	Rubber Tubing (5 1/2")	1
17	UP 04211	Rubber Tubing (8 1/2")	1
18	UP 03871	Fuel Filter	1
19	DA 07590	Fuel Cap w/ Retainer	1
20	DA 07591	Oil Cap w/ Retainer	1
	UP 04054	Oil Filter (Not Shown)	1
	UP 04180	Guide Bar Bolt (Not Shown)	2

NO.	PART NO.	DESCRIPTION	QTY.
21	UP 04221	Speed Nut ("U-Type")	3
22	UP 04083	Screw, Cap-Socket Hd. (10-24 x 2")	4
23	UP 04087	Washer	4
24	UP 04208	Pre Filter	1
25	UP 04227	Spring Clip (Choke Rod)	1
26	UP 04054	Oil Filter	1

Torque Specs			
Item No.	In/Lbs	Nm	Required Loctite
3	15-25	1.7-2.8	
22	65-76	7.3-8.5	

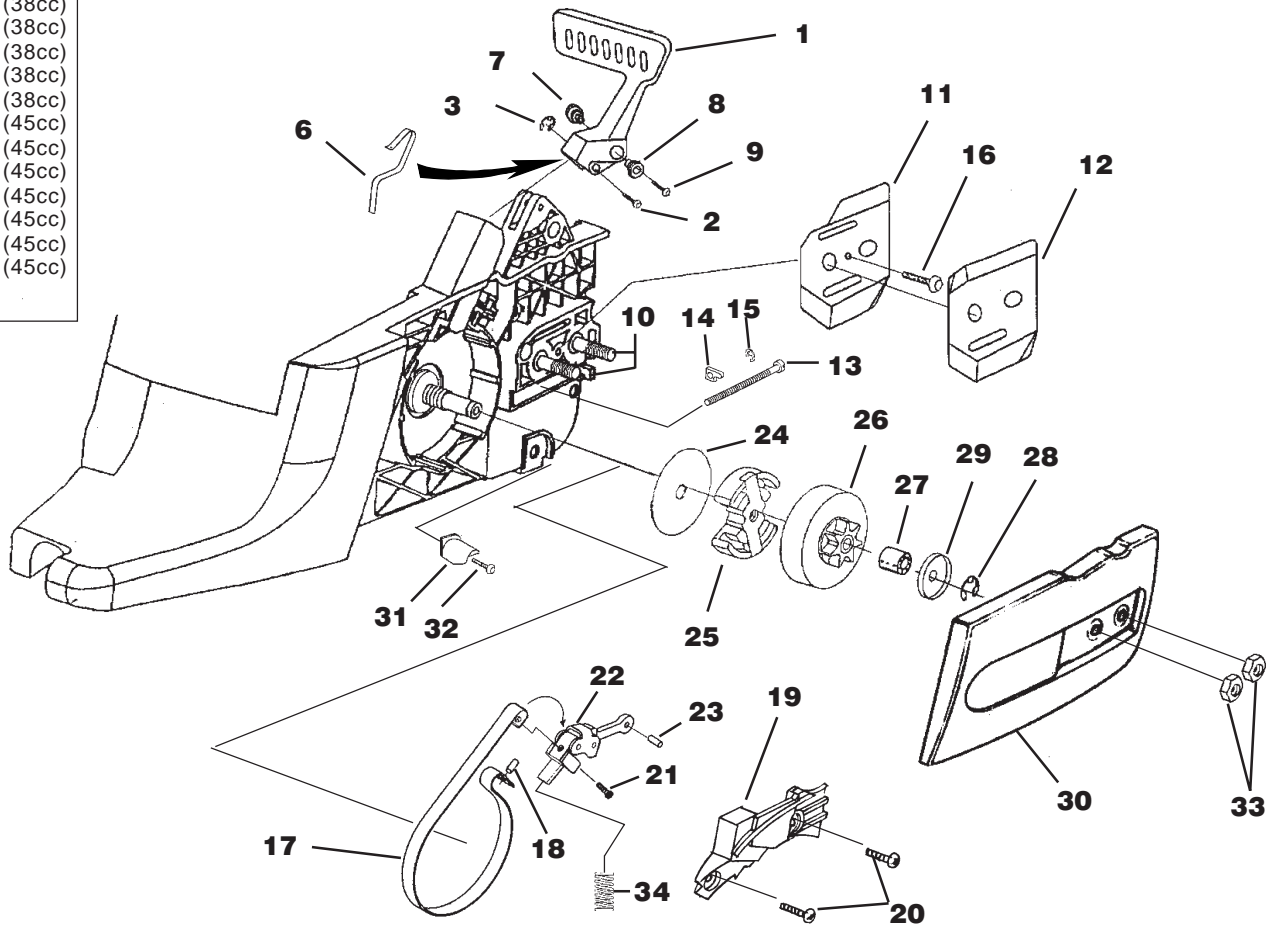
Warranty Flat Rate		
Job	Description	Time/Hr.
FD12	Eng. Hsg.	1.5
	Oil Tank,	
	Use Job FD12	1.5
	Fuel Tank,	
	Use Job FD12	1.5
FD90	Eng. Cyl. Cover	0.3
FF14	Primer Bulb Assy.	0.3
FF15	Choke Rod	0.3
FE12	Oil Line	0.5
FA17	Ignition Switch	0.3
FF12	Fuel Line	0.3
FF13	Throttle Cable	0.5

3/15/2001

[Order Homelite Chainsaw Parts on eBay](http://www.eBay.com)

CLUTCH - CHAIN BRAKE - DRIVE CASE COVER

- i3350b (33cc)
- BCS35 (33cc)
- d3850b (38cc)
- d3850bc (38cc)
- 23av (38cc)
- 23av w/cc (38cc)
- i3850b (38cc)
- i4150b (45cc)
- d4550b (45cc)
- d4550bc (45cc)
- i4550b (45cc)
- 27av (45cc)
- 27av w/cc (45cc)
- Timberman ... (45cc)



NO.	PART NO.	DESCRIPTION	QTY.
1	•UP 06568	Hand Guard Kit	1
2	UP 04214	Hand Guard Actuating Pin	1
3	UP 04056	Retaining Ring	1
4	UP 04207	Hand Guard Link (Non-chain brake units-not shown)	1
5	UP 04090	Roll Pin (Non-chain brake units-not shown)	1
6	UP 04224	Spring, Handguard	1
7	UP 04202	Pivot, L.H.	1
8	UP 04201	Pivot, R.H.	1
9	UP 04240	Screw, Hex Socket Hd. (8-32 x 5/8")	1
10	UP 04180	Guide Bar Bolt	2
	•UP 06966	Guide Bar Adjusting Kit	1
11	UP 04206	Plate, Guide Bar	1
12	UP 04085	Plate, Guide Bar	1
13	UP 04187	Screw, Guide Bar Adjusting	1
14	UP 04186	Pin, Guide Bar Adjusting	1
15	UP 04056	Ring, Retaining	1
16	UP 04082	Screw, Thread Form (6-19 x 1/2")	1
17	• A 08680 A	Chain Brake Kit	1
18	UP 04181	Pin, Roll	1
19	UP 04309	Cover, Chain Brake	1
20	UP 04082	Screw, Pan Hd. (6-19 x 1/2")	2
21	UP 04239	Screw, Pan Hd. (8-16 x .320)	1
22	UP 04223	Chain Brake Link	1
23	UP 04090	Pin, Roll	1
24	UP 04182	Thrust Washer	1
25	UP 06727	Clutch & Hardware	1

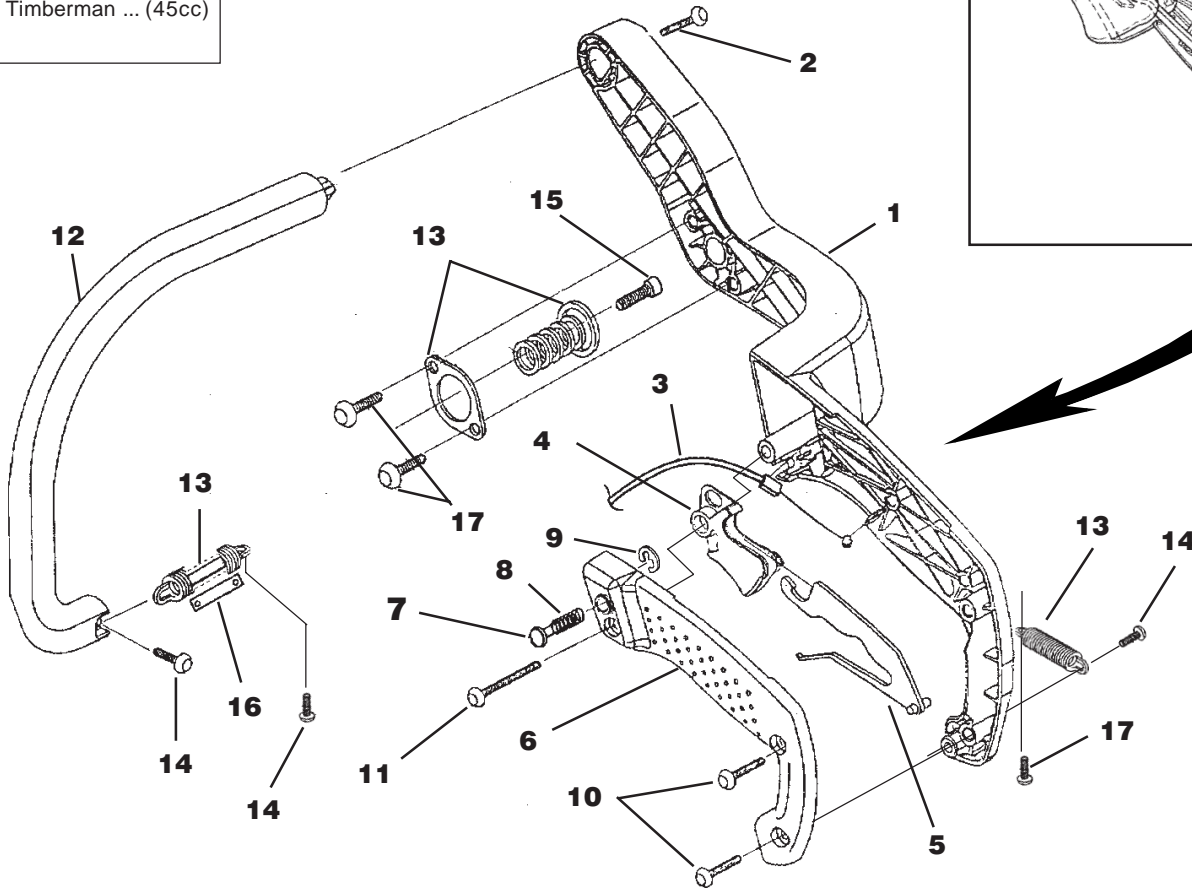
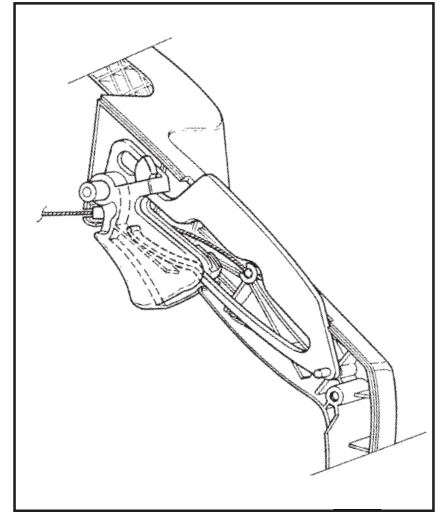
NO.	PART NO.	DESCRIPTION	QTY.
26	•UP 06967	Sprocket, Drum (3/8 Pitch)	1
	•UP 04560	Sprocket, Drum (.325 Pitch) (i3850b & 45cc only)	1
27	UP 04175	Bearing, Needle	1
28	UP 04228	Ring, Retaining	1
29	UP 04179	Washer, Cupped	1
30	•UP 06975	Drive Case Cover	1
31	UP 04088	Stop, Chain	1
32	UP 03900	Screw, Thread Form (10-14 x 3/4")	1
33	UP 04058	Nut, Hex	2
34	UP 04032	Spring, Compression	1

Torque Specs			
Item No.	In/Lbs	Nm	Required Loctite
9	25-35	2.8-3.9	
16	8-18	.9-2.0	
20	10-20	1.1-2.3	
21	20-30	2.3-3.4	
25	130-180	14.7-20.3	
32	30-50	3.4-5.6	
33	Hand Tight		

Warranty Flat Rate		
Job	Description	Time/Hr.
FC10	Chain Assy.	0.3
FD10	Clutch Brake	0.4
FK10	Guide Bar, Shims Adj.	0.3
FK11	Guide Bar Studs	1.0
FD97	Hand Guard	0.3
FC12	Sprocket/Retaining Ring	0.3

HANDLES

i3350b	(33cc)
BCS35	(33cc)
d3850b	(38cc)
d3850bc	(38cc)
23av	(38cc)
23av w/cc	(38cc)
i3850b	(38cc)
i4150b	(45cc)
d4550b	(45cc)
d4550bc	(45cc)
i4550b	(45cc)
27av	(45cc)
27av w/cc	(45cc)
Timberman	(45cc)



NO.	PART NO.	DESCRIPTION	QTY.
1	• A 08675	Rear Handle Kit	1
2	UP 04234	Screw-Pan Hd. (12-14 x 1 1/2")	1
3	UP 04218	Throttle Cable	1
4	UP 04195	Trigger, Throttle	1
5	UP 04196	Throttle Lock Out	1
6	• A 08683	Handle Cover Kit	1
7	UP 04199	Throttle Lock Pin	1
8	UP 04226	Spring, Compression	1
9	UP 04050	Ring, Retainer	1
10	UP 03900	Screw, Thread Form (10-14 x 3/4")	2
11	UP 04238	Screw, Thread Form (10-14 x 1 3/8")	1
12	• UP 06973	Front Handle Kit	1
	UP 04234	Screw-Pan Hd. (12-14 x 1 1/2") (See No. 2 above)	1
13	• A 08677	Isolator Kit	1
14	UP 04237	Screw, Truss Hd. (10-14 x 5/8")	3
15	UP 04233	Screw, Truss Hd. (10-24 x 5/8")	1
16	UP 04200	Limitter, Isolator	1
17	UP 03897	Screw, Thread Form (10-14 x 1/2")	3

Item No.	Torque Specs		Required Loctite
	In/Lbs	Nm	
2	40-50	4.5-5.6	
10	30-40	3.4-4.5	
11	30-40	3.4-4.5	
14	30-40	3.4-4.5	
15	40-50	4.5-5.6	
17	30-40	3.4-4.5	

Warranty Flat Rate		
Job	Description	Time/Hr.
FD20	Handle Bar Assy.	0.3
FD24	Rear Handle Assy.	0.5
FF13	Throttle Cable/Trigger	0.5
FD96	Isolator Kit	0.4

3/15/2001

[Order Homelite Chainsaw Parts on eBay](https://www.ebay.com)

ACCESSORIES

	Guide Bar (Power Tip)	Chain
3/8 pitch		
12"	PT 12371 MD (3/8")	H1 N7245 AH (3/8")
14"	PT 14371 MD (3/8")	H1 N7252 AH (3/8")
16"	PT 16371 MD (3/8")	H1 N7256 AH (3/8")
18"	PT 18371 MD (3/8")	H1 N7262 AH (3/8")
.325 pitch		
13"	PL13321 MA (.325)	D1 L7256 AH or D1 L7356 AH (.325)
15"	PL15321 MA (.325)	D1 L7264 AH or D1 L7364 AH (.325)
16"	PT16321 MA (.325)	D1 L7266 AH or D1 L7366 AH (.325)
18"	PT18321 MA (.325)	D1 L7272 AH or D1 L7372 AH (.325)
20"	PT20321 MA (.325)	D1 L7278 AH or D1 L7378 AH (.325)

Sealant Silicon PS 24823
 Rubber tubing (10') UP06561
 Wrench - Combination 09207
 Digital Tachometer 18416
 Grease, Multi-purpose 18453

Compression Tester 94194
 Bit, Torx T27 UP07160
 Carry Case UP04562
 Bumper Spike Kit UP06732

[Order Homelite Chainsaw Parts on eBay](#)