

# Homelite®

- GB PARTS LIST
- F LISTE DE PIÈCES
- NL ONDERDELENLIJST
- D TEILELISTE
- I ELENCO DEI PEZZI
- E LISTA DE PIEZAS
- P LISTA DE PEÇAS

**PBC3600** (UT15089 B, C, D, E)

**PLT3400** (UT15090 B, C, D, E, F)

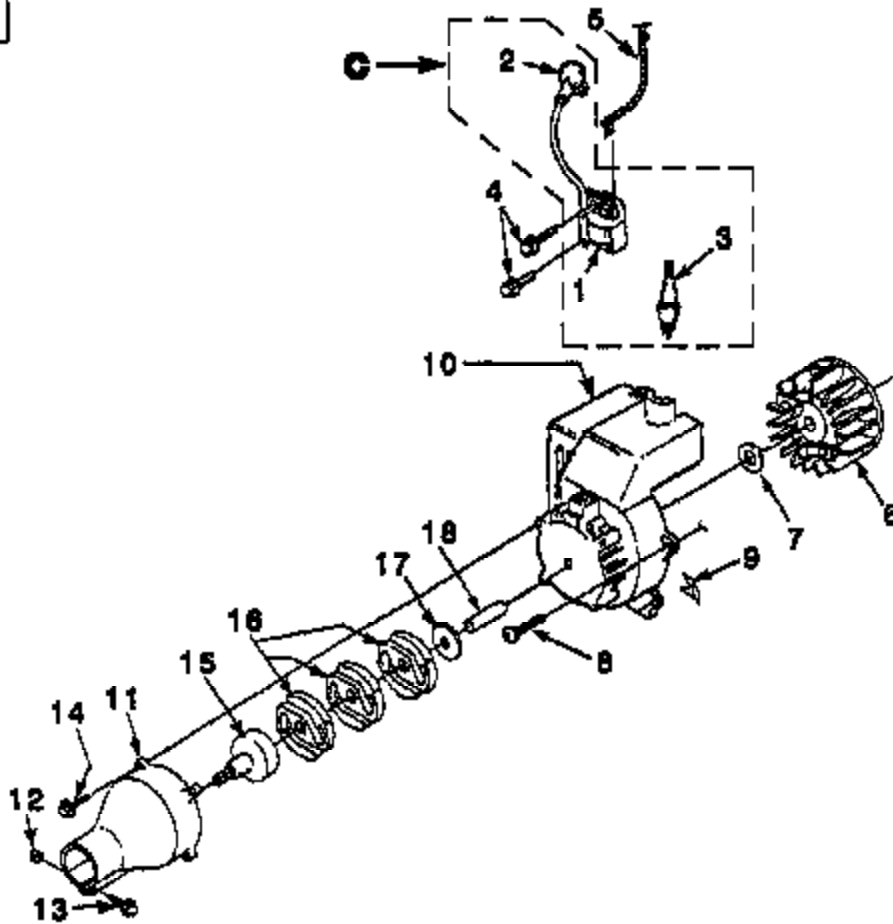
**PBC3600-B** (UT15091 A, B, C, D, E)

Printed in U.S.A.  
Imprimé aux E.-U.  
Gedruckt in da V.S.  
Gedruckt in den U.S.A.  
Stampato negli Stati Uniti.  
Impreso en EE.UU.  
Impreso nos E.U.A.

**P/N PS18852**

PLT3400  
PBC3600  
PBC3600B

### IGNITION - ROTOR - CLUTCH



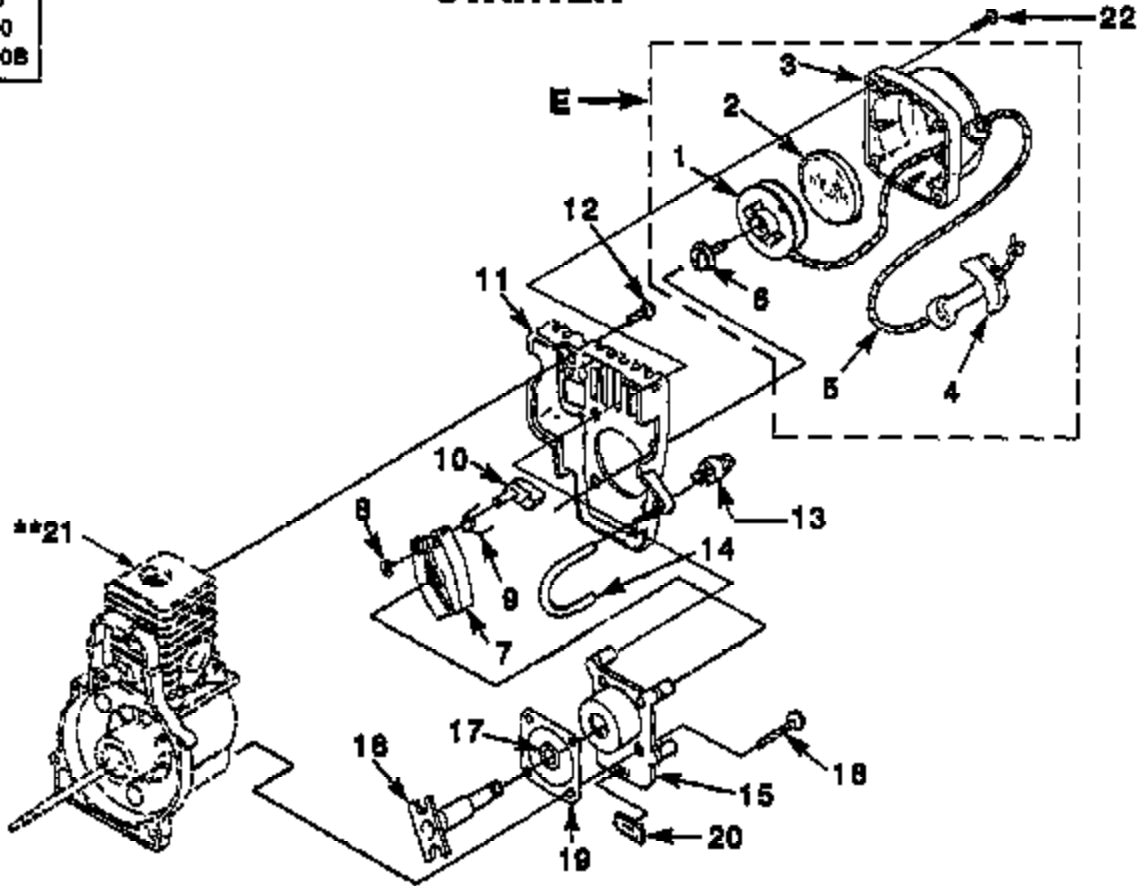
No.	Part No.	Description	Qty.
C	A 04445	IGNITION KIT (PLT3400, PBC3600)	1
1	94711 CS	MODULE-Ignition	1
2	A 33055	TERMINAL & COVER	1
3	D 90109 C	SPARK PLUG (DJ-7Y)	1
4	52540	SCREW-Thread Form. (5-32 X 1")	2
1	94711 CS	MODULE-Ignition (PBC3600-B)	1
2	A 33055	TERMINAL & COVER	1
3	79252	SPARK PLUG (RDJ-7Y) (PBC3600-B)	1
5	A 00881	LEAD-Electrical	1
5	A 04158 B	ROTOR & STARTER PAWL	1
7	95479 A	WASHER-Flat	1
8	52538	SCREW-Thread Form. (10-24 X 3/4")	4
9	02851	TAB-Male	1
10	A 08295	HOUSING-Engine w/Decals	1
11	A 02396 A	TUBE ADAPTOR KIT	1
12	81209	NUT-Hex (10-24)	1
13	86524	SCREW-Sems Hex Hd. (10-24 X 1 1/4")	1
14	88052	SCREW-Sems Hex Hd. (10-24 X 7/8")	4
15	A 04855	DRUM & CONNECTOR	1
16	00242	CLUTCH	3
17	88929 A	WASHER-Clutch	1
18	03566 1	SPACER	1

Item No.	Torque Specs		Required Loosie
	In/Lbs	Nm	
3	120-150	13.6-20.3	
4	30-40	3.4-4.5	
8	40-50	4.5-5.6	
14	40-50	4.5-5.6	
16	40-50	4.5-5.6	
18	90-110	10.1-12.4	

Warranty Flat Rate		
Job	Description	Time/Hr
FA11	Ignition Module	0.4
FA12	Ground Lead	0.4
FC10	Clutch Assembly	0.4
FC12	Clutch Drum Replace	0.4
FA22	Rotor	0.4

PLT3400  
PBC3600  
PBC3500B

### STARTER



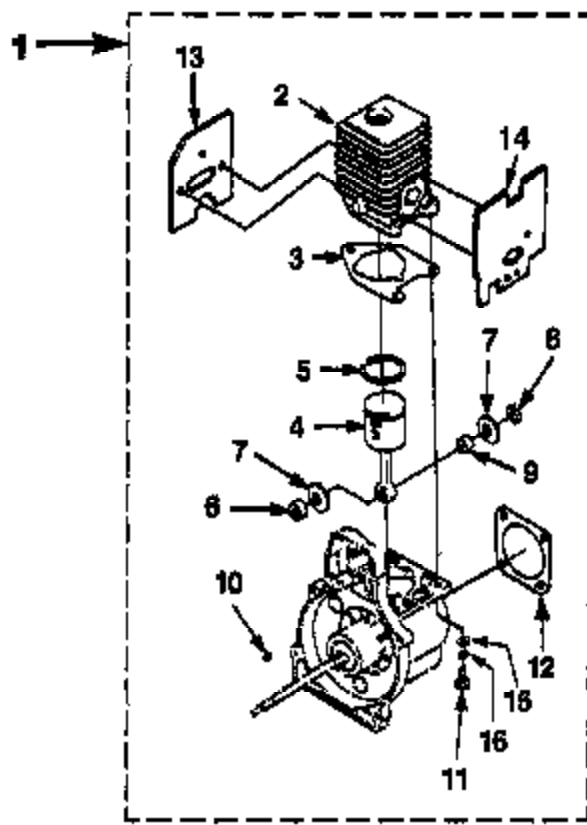
No.	Part No.	Description	Qty.
E	A 04069	STARTER-Complete	1
1	04069 05	PULLEY-Starter	1
2	04069 06	SPRING-Racoll	1
3	04069 01	HOUSING-Starter	1
4	04069 02	GRIP-Starter	1
5	04069 03	ROPE-Starter	1
6	04069 04	SCREW-Set	1
7	A 04018	CUP-Starter	1
8	04018 04	RETAINING RING	1
9	04018 03	SPRING-Starter	1
10	04018 02	PAWL-Starter	1
11	04023	COWLING-Engine	1
12	82541	SCREW-Thread Forming (#10 X 1/2")	1
13	01183	BULB-Air Purge	1
14	01439 32	RUBBER TUBING (8")	1
15	A 04017 2	CRANKCASE COVER	1
16	04016 B	SHAFT-Starter	1
17	04589	SPACER	1
18	82555 1	SCREW-Thread Form. (10-24 X 3/4")	4
19	89767 A	GASKET-Crankcase	1
20	98792	BUMPER-Rubber	1
21	**	SHORT BLOCK (See page 4)	1
22	82538	SCREW-Tapits, T-25 Torx (10-24 X 3/4")	4

Item No.	Torque Specs		Required Loctite
	In/Lbs	Nm	
12	30-40	3.4-4.5	
18	40-50	4.5-5.6	
22	40-50	4.5-5.6	

Job	Description	Warranty Flat Rate	
		Time/Hr.	
FG10	Starter Assembly	0.3	
FG11	Starter pawl	0.3	
FB20	Short Block	1.0	
FD25	Crankcase Cover	0.3	
FF14	Primer Bulb	0.3	

PLT3400  
PBC3600  
PBC3600B

### ENGINE INTERNAL



No.	Part No.	Description	Qty.
1	•UP06262	SHORT BLOCK	1
2	•UP07148	CYLINDER & GASKET (See page 6)	1
3	04388 B	GASKET-Cylinder	1
4	• A 06291 B	PISTON & ROD	1
5	04993	RING-Piston	1
6	04860	SPACER-Bearing	1
7	00118	WASHER-Thrust	2
8	03798	RING-Retaining	1
9	02461	BEARING-Needle	1
10	89250	KEY-Woodruff	1
11	82580 1	SCREW-Torx Pen Hd. (12-24 X 3/4")	3
12	98767 A	GASKET-Crankcase *	1
13	08848	GASKET-Muffler *	1
14	08840	GASKET-Heat Dam *	1
15	84115	WASHER, Flat	3
16	83068	WASHER, Lock	3

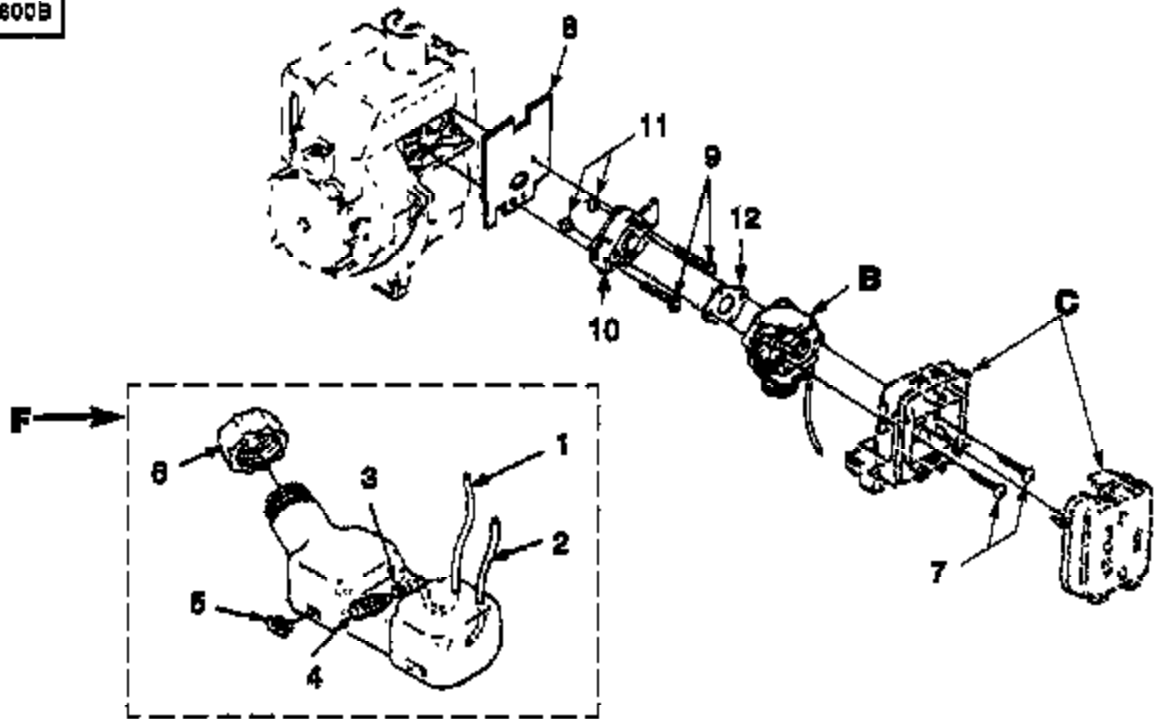
\* Also included in Cylinder Kit

Item No.	Torque Specs		Required Loctite
	(n)lbs	Nm	
11	55-60	6.2-8.9	

Warranty Flat Rate		
Job	Description	Time/Hr
FB20	Short Block	1.0

PLT3400  
PBC3600  
PBC3600B

### CARBURETOR - FUEL TANK



No.	Part No.	Description	Qty.
F	A 04858	FUEL TANK	1
1	01439 17	TUBING-Rubber (4 1/4')	1
2	84772 30	TUBING-Rubber (7 1/2')	1
3	98265	CLAMP-Wire	1
4	49422	FILTER-Fuel	1
5	98792	BUMPER-Rubber	3
6	A 00882 B	CAP-Fuel Tank	1
7	88080	SCREW-Sama Hex Hd. (10-24 X 2 1/2")	2
8	06840	GASKET-Heat Dam * (See page 4)	1
9	88082 1	SCREW-Sama, Torx (10-24 X 1.12")	2
10	00864 B	HEAT DAM	1
11	81208	NUT-Hex (10-24)	2
12	88765 A	GASKET-Carburetor *	1
B	07244	CARBURETOR (Zama)	1
	A 02807	CARBURETOR (Walbro)	1
D	A 04707 A	AIR FILTER (See page 6)	1

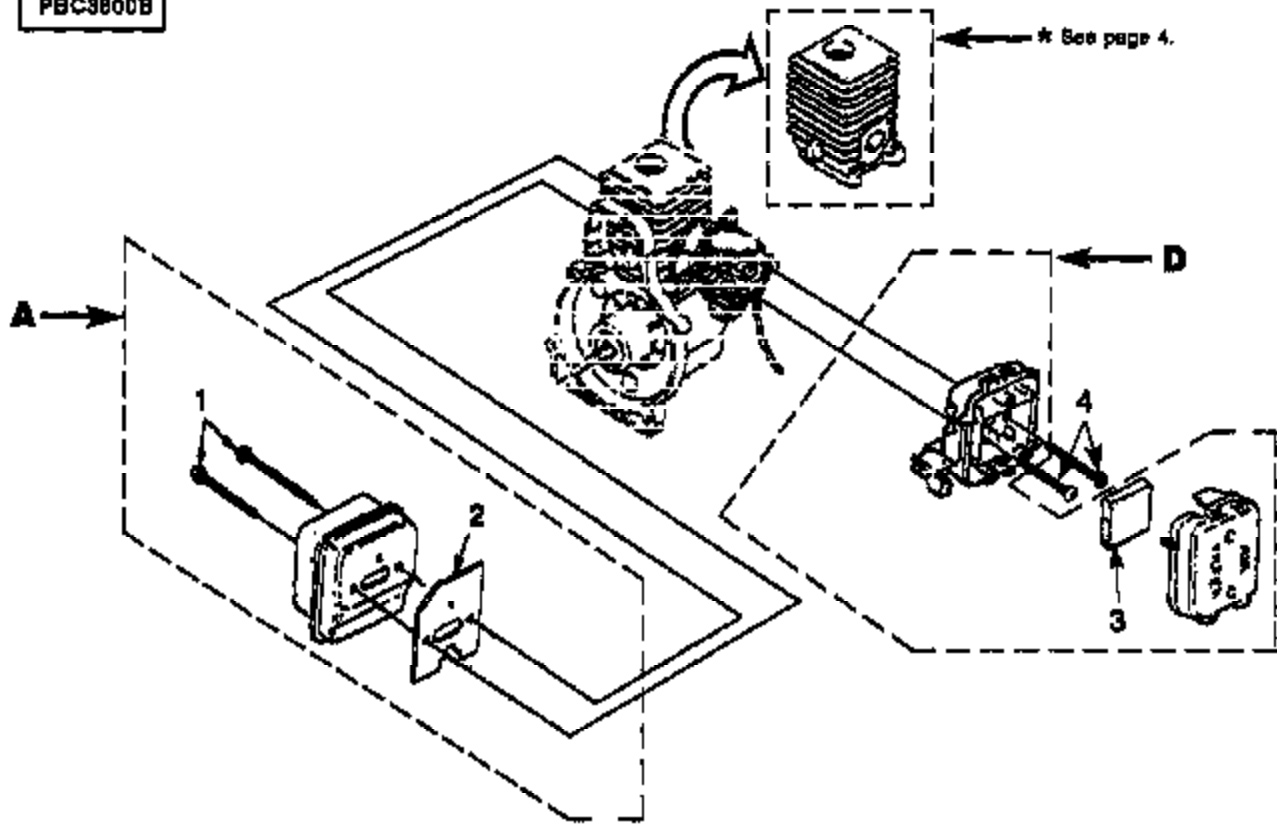
\* Also included in Short Block and Cylinder Kit

Item No.	Torque Specs		Required Loctite
	In/Lbs	Nm	
9	40-50	4.5-5.6	
11	40-50	4.5-5.6	

Warranty Flat Rate		
Job	Description	Time/Hr
FF12	Fuel/Return Line	0.3
FF15	Choke Rod	0.3
FF16	Fuel Tank	0.3
FF17	Manifold	0.3
FF42	Air Filter Assembly	0.2
FF10	Carburetor Replace	0.3

PLT3400  
PBC3600  
PBC3600B

### MUFFLER - AIR CLEANER



No.	Part No.	Description	Qty.
<b>A</b>	*A 08857	MUFFLER COMPLETE (PLT3400 & PBC3600)	1
	*A 08858	MUFFLER COMPLETE (PBC3600B)	1
1	88060	SCREW-Sems Hex (10-24 X 2 1/2")	2
2	08846	GASKET-Muffler *	
<b>D</b>	*A 04707 A	AIR FILTER KIT	1
3	D 98760 B	FILTER-AIR	1
4	88060	SCREW-Sems Hex Hd. (10-24 X 2 1/2")	2

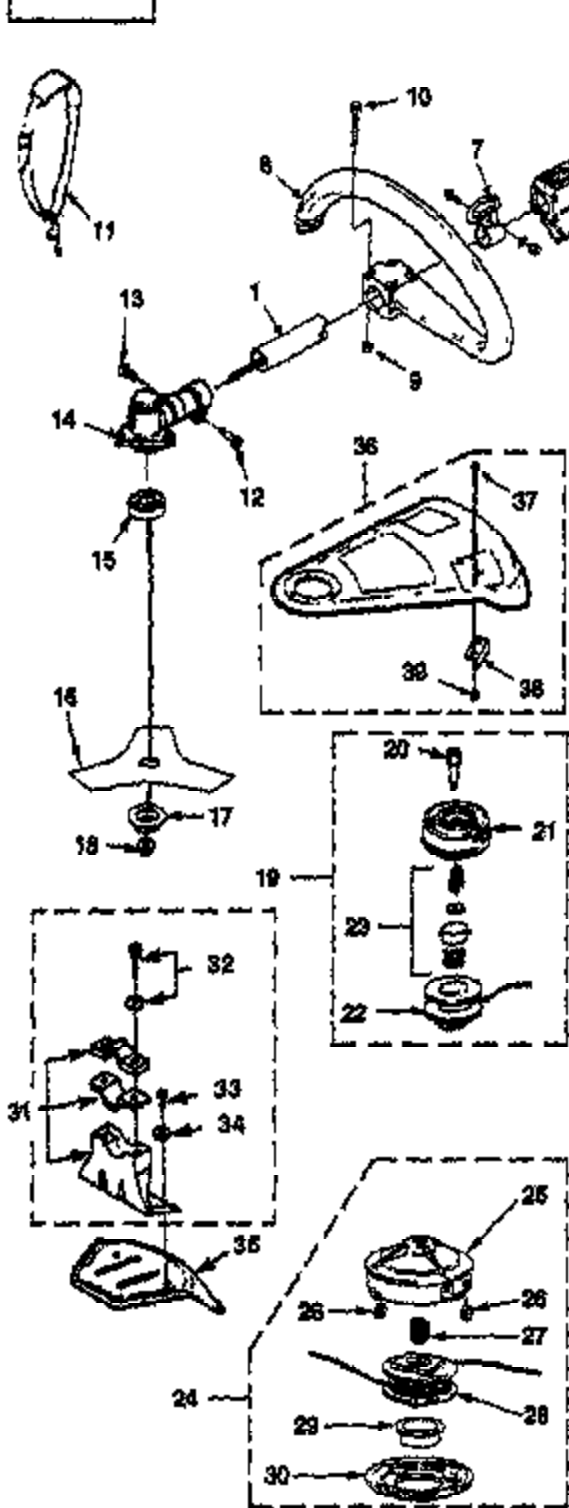
\* Also included in Short Block and Cylinder Kit

Item No.	Torque Specs		Required Loctite
	In/Lbs	Nm	
1	40-50	4.5-5.8	
4	40-50	4.5-5.8	

Warranty Flat Rate		
Job	Description	Time/Hr
FB18	Muffler Replace	0.2
FF42	Air Filter Assembly	0.2

PLT3400  
PBC3600

# HANDLE - THROTTLE - DRIVESHAFT - GEARHEAD - STRINGHEAD - DEFLECTOR - BLADE - HARNESS



No.	Part No.	Description	Qty.
1	A 03600 A	HOUSING-Driveshaft (PBC3600)	1
1	04641	DRIVESHAFT (PBC3600)	1
1	A 08210	HOUSING-with Driveshaft (PLT3400)	1
1	98818	DRIVESHAFT (PLT3400)	1
2	P9 48640	TIE-Cable	2
4	08275	THROTTLE & SWITCH (PBC3600)	1
4	A 08423 B	THROTTLE & SWITCH (PLT3400)	1
5	02542 08	THROTTLE CABLE	1
6	03234 A	HIP PAD	1
7	07255	HANGER	1
8	A 07137 A	HANDLE-Front	1
9	81208	NUT (10-24)	4
10	82605	SCREW	4
11	QA 92703 C	STRAP	1
12	82586	SCREW-Cap Socket Hd (1/4-20 X 7/8")	1
13	88049	SCREW-Sama Hex Hd (10-24 X 1/2")	1
14	A 04151	GEAR HEAD	1
15	04188 1A	WASHER-Flanged	1
16	08297	BLADE-Tri-Arc™	1
17	04408	WASHER-Flange (Lower)	1
18	04277	NUT-Lock	1
19	*DA 02333 1	STRING HEAD (PBC3600 UT15089F)	1
20	03709	BOLT, Shaft	1
21	02841	HOUSING w/Eyelets	1
22	02358	SPOOL & STRING	1
23	A 02342	REPAIR KIT	1
24	A 07247	STRING HEAD	1
25	07248	HOUSING, String	1
26	04141	EYELET	1
27	02861	SPRING	1
28	07251	SPOOL W/String	1
29	07252	BUTTON	1
30	07253	COVER	1
31	A 03404	DEFLECTOR BRACKET KIT	1
32	03998	SCREW & WASHER	2
33	04003	SCREW-Machine (6M)	2
34	04004	WASHER-Flat	2
35	03158	BLADE GUARD	1
36	A 04683 A	DEFLECTOR-Grass	1
37	80899	SCREW-Mech Hex Hd. (10-24 x 3/8")	2
38	07128	BLADE-Cut-Off	1
39	81208	NUT-(10-24)	2

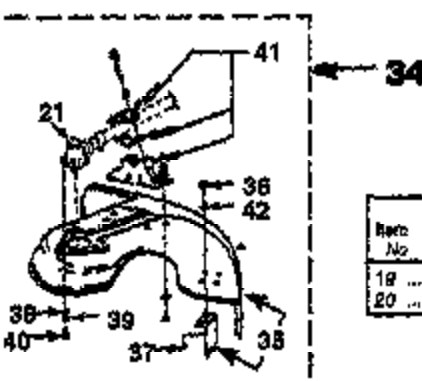
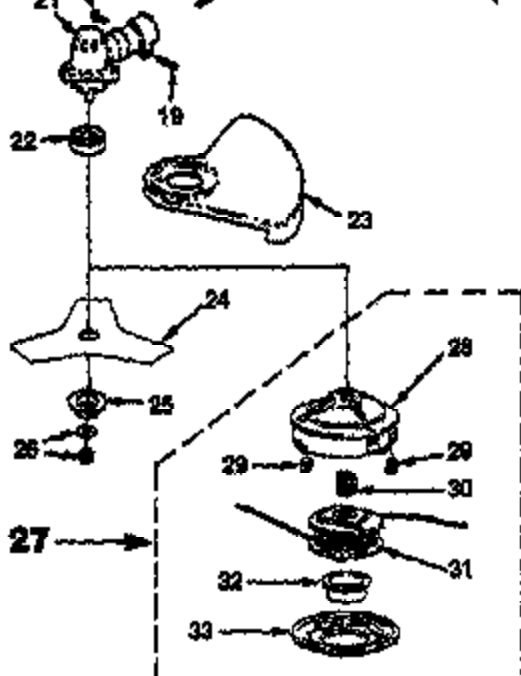
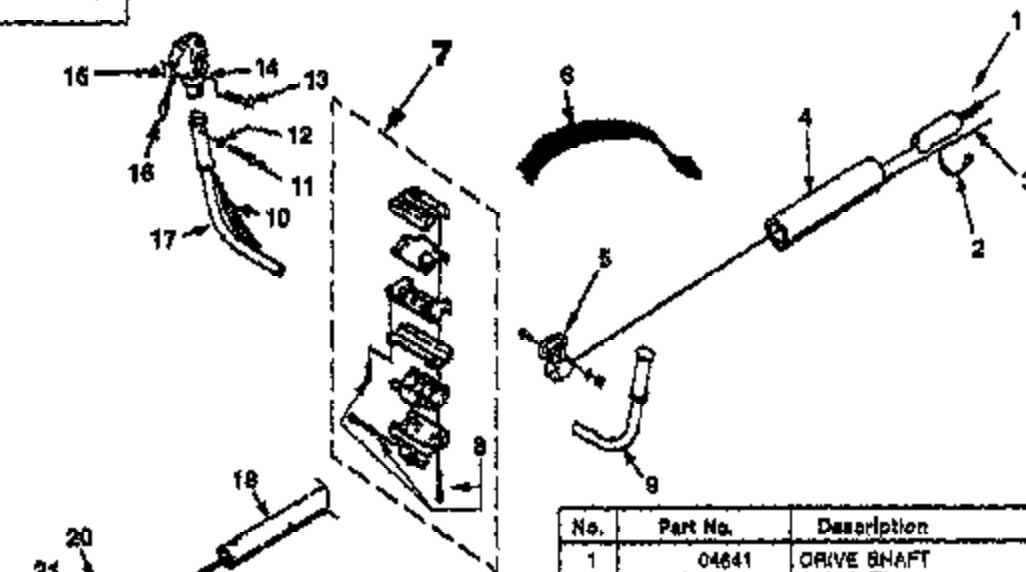
Job	Description	Warranty Flat Rate	Time/hr
FN12	Driveshaft		0.3
FN13	Driveshaft Hag		0.4
FF13	Trigger/Throttle Assy		0.3
FD20	Front Handle		0.2
FN15	Gearhead		0.3
FN18	Deflector/Blade Guard		0.3
FM10	Stringhead Assy		0.2
PA17	Switch/Lead, Ignition		0.4

Item No	Torque Specs		Required Lubric
	In/Lbs	Nm	
10	30-40	3.4-4.5	
12	55-85	6.2-7.3	
13	35-45	4.0-5.1	

082/265/298

PLT9400  
PBC3600

### HANDLE - THROTTLE - DRIVESHAFT - GEARHEAD - STRINGHEAD - DEFLECTOR - BLADE - HARNESS



No.	Part No.	Description	Qty.
1	04641	DRIVE SHAFT	1
2	PS 46840	CABLE-Tie	3
3	02842 03	THROTTLE CABLE	1
4	03234 A	HIP PAD	1
5	07255	BRACKET-Hanger	1
6	02836 1	SHOULDER HARNESS (Full)	1
7	A 07304	HANDLE BAR BRACKET	1
8	88187	SCREW	6
9	A 03268 A	HANDLE BAR & GRIP (Left)	1
10	00884	SLEEVING	1
11	82528	SCREW-Thread Form (#6-19 X 3/4")	1
12	83088	WASHER-Lock (#8)	1
13	88183	SCREW-(M4 X 25)	1
14	A 03278	SWITCH & LEAD	1
18	81417	NUT-Hex (M4)	1
16	A 03276	THROTTLE	1
17	A 03277 A	HANDLE BAR & GRIP (Right)	1
18	A 03800 A	DRIVE SHAFT HOUSING	1
19	82588	SCREW-Cap Socket Hd. (1/4-20 X 7/8")	1
20	88048	SCREW-Semi Hex Hd.	1
22	A 04151	GEAR HEAD	1
22	04188 1A	WASHER-Flanged	1
23	83847 Z	GUARD-Blade	1
24	06297	BLADE-Tri-Aro™	1
25	04408	WASHER-Cupped	1
26	04277	NUT-Lock	1
27	A 07247	STRING HEAD	1
28	07248	HOUSING, String	1
29	07249	EYELET	1
30	02381	SPRING	1
31	07251	SPOOL W/String	1
32	07252	BUTTON	1
33	07253	COVER	1
34	A 03880 B	GRASS DEFLECTOR KIT	1
35	A 04382 03	DEFLECTOR & BLADE	1
36	82531	SCREW-Mech. Hex Hd. (10-24 X 7/8")	2
37	81261	NUT-Hex Locking (10-24)	2
38	04518	WASHER-Flat (#10)	2
39	83048	WASHER-Lock (#10)	3
40	82298	SCREW-Hex Hd. (10-24 X 5/8")	3
41	A 03404	DEFLECTOR BRACKET KIT	1

Part No.	In/Lbs	Torque Specs Nm	Required Locks
18	55-65	5.2-7.3	
20	35-45	4.0-5.1	

Job	Description	Warranty Flat Rate	Time/Hr
FN12	Driveshaft	0.3	
FN13	Driveshaft Hng	0.4	
FF13	Trigger/Throttle Assy	0.3	
PD20	Front Handle	0.2	
FN15	Gearhead	0.3	
FN16	Deflector/Blade Guard	0.8	
FM10	Stringhead Assy	0.2	
FA17	Switch/Lead, Ignition	0.4	

8582/203