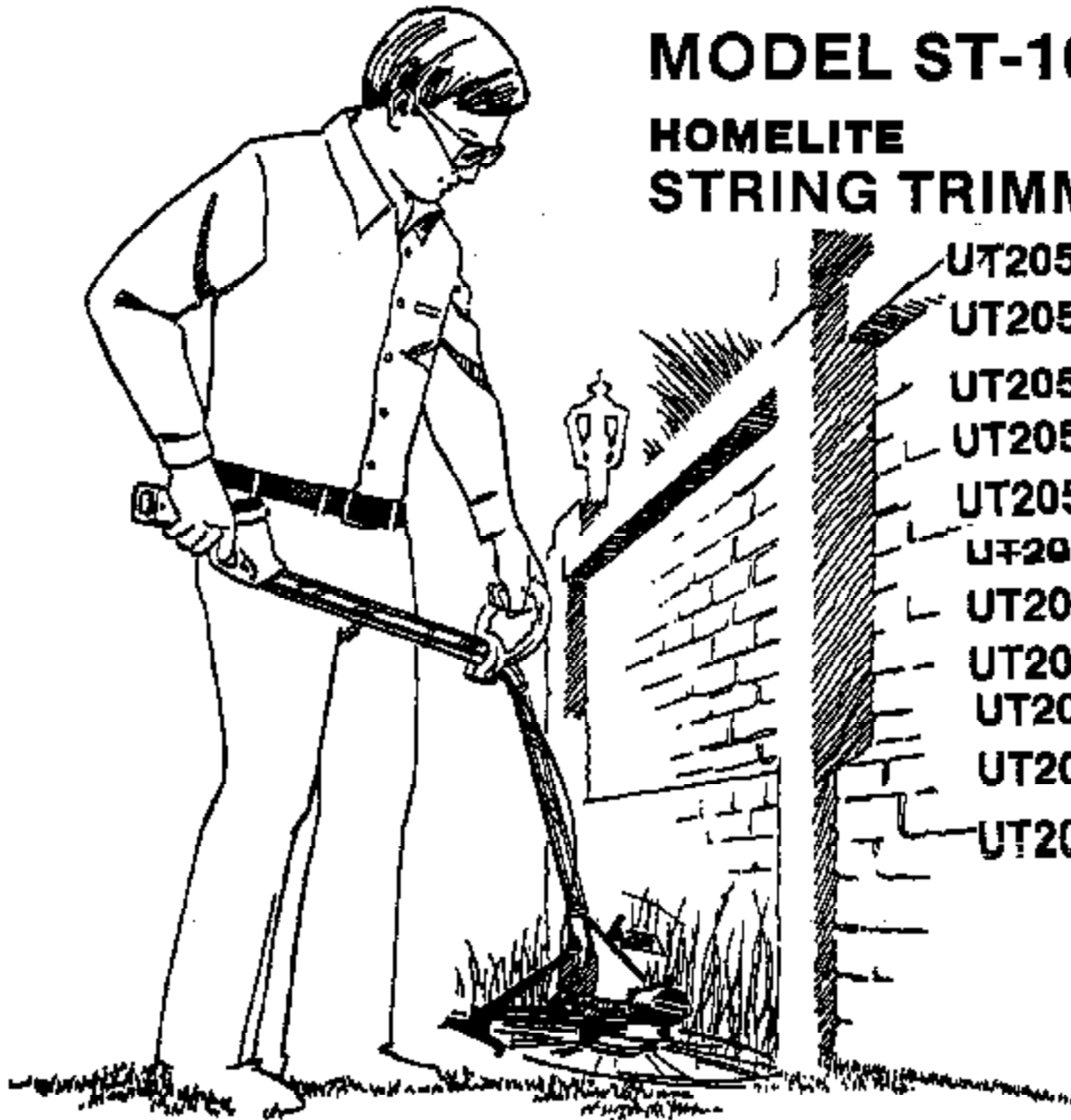


PART NO. 17208 REV. 3
Printed In U.S.A.
Price .35

**HOMELITE®
JACOBSEN**
**PARTS
LIST**



**MODEL ST-100
HOMELITE
STRING TRIMMER**

- UT20500
- UT20503
- UT20503-2
- UT20503-A
- UT20505
- UT20506
- UT20508
- UT20509
- UT20523
- UT20523-A
- UT20524

HOMELITE **TEXTRON**

Homelite Division of Textron Inc.

**ST-100
STRING TRIMMER**

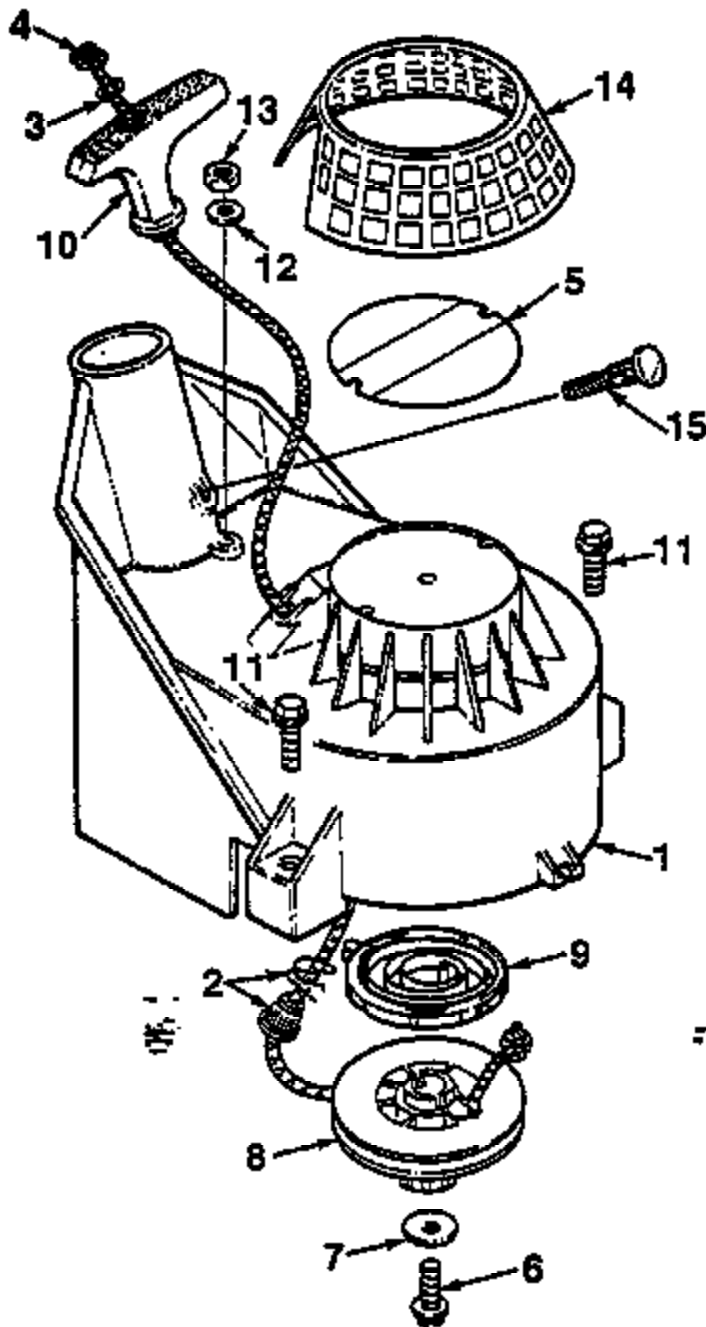


FIGURE 1

NO.	DESCRIPTION	PART NO.	QTY.
	KIT- Starter housing	A-95000	1
	Includes:		
1	HOUSING- Starter	A-93799-D	1
	Includes:		
2	KIT- Rope bushing & guide	A-97798	1
3	WASHER- Flat #8	84025	1
4	ROPE- Starter (3 1/2, 48"L.)		1
	Note 1 (After Lot #G-049)	97899	1
5	DECAL- Housing	93800-A	1
6	SCREW- (Thread forming #10 x 750)	70771	1
7	WASHER- Retaining	94082	1
8	PULLEY- Starter (Note 1)	97768	1
9	SPRING & CONTAINER	A-97808	1
10	GRIP- Starter	70211	1
11	SCREW- Sems hex hd. (10-24 x .625, grade 5)	89050	2
12	WASHER- Flat #10	84003	1
13	NUT- Hex centerlock 10-24	81208	1
14	SCREEN- Starter housing	94230	1
15	BOLT- Rib neck 1/4-20 x 1.750	82387-A	1

NOTE 1: Starter rope 98846-1 (Prior to lot #G-049) is not to be used with double-wrap pulley 97768.

ST-100 STRING TRIMMER

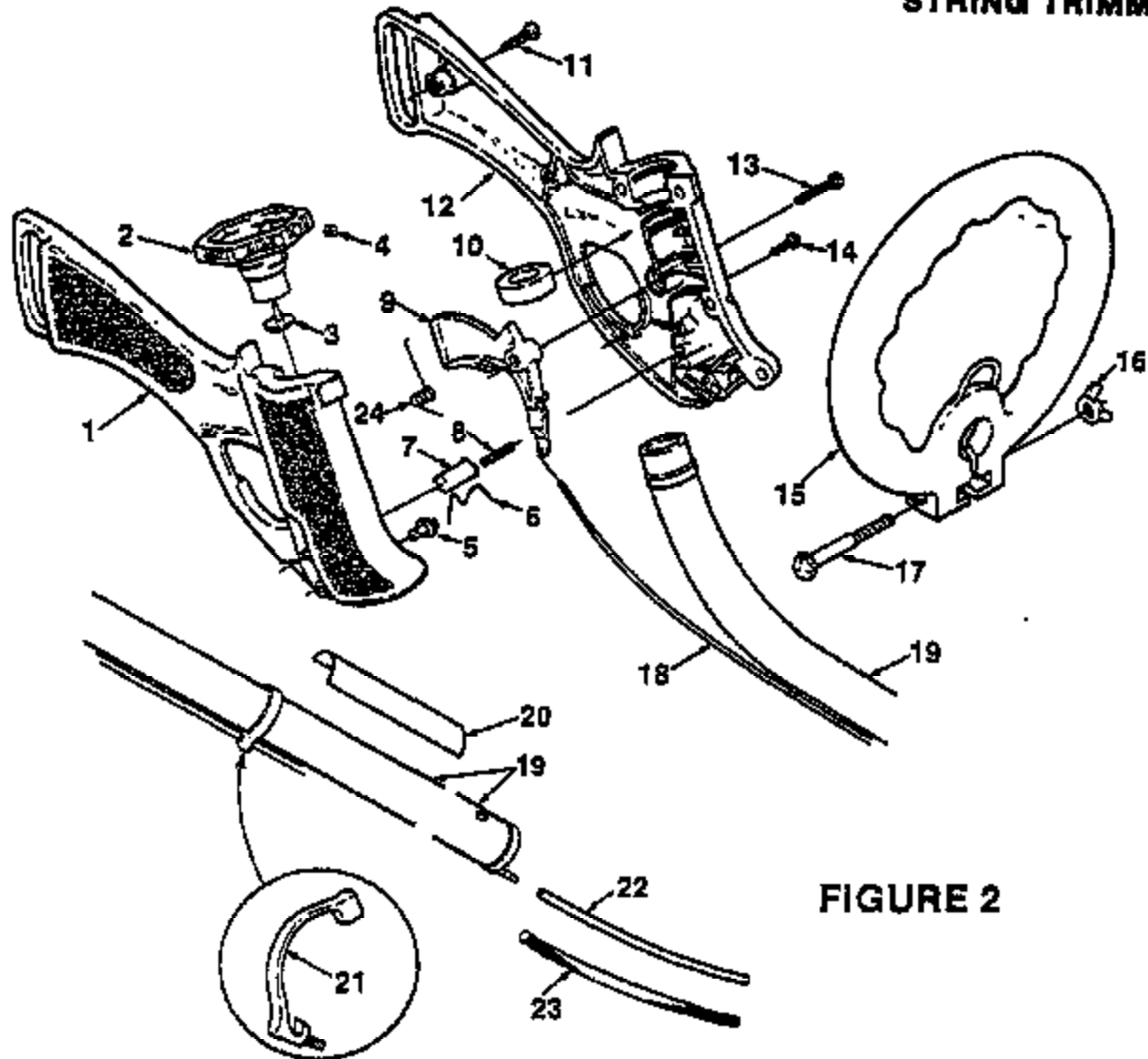


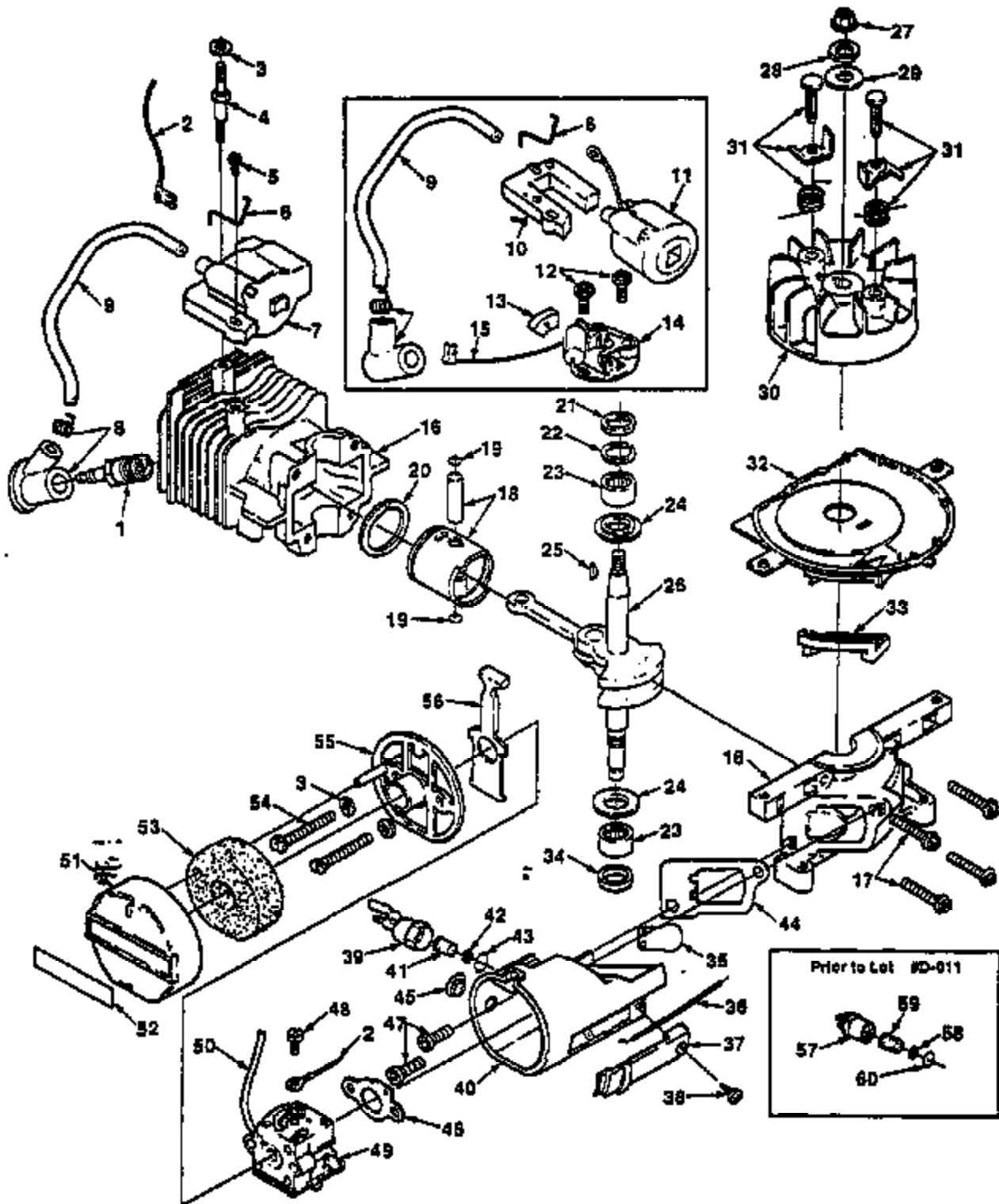
FIGURE 2

NO.	DESCRIPTION	PART NO.	QTY.	NO.	DESCRIPTION	PART NO.	QTY.
1	HANDLE- Right side	93785-A	1	16	HANDLE- Front	83770-A	1
2	CAP- Fuel	A-93805	1	16	NUT- Wing washer face	93992	1
	Includes:			17	SCREW- Cap hex hd, 1/4-20 x 2	80295	1
3	VALVE	94531-1	1	18	CABLE- Throttle	93806-A	1
4	FILTER- Fuel cap	89454	1	19	TUBE- Fuel tank	A-95328	1
5	BUTTON- Stop	93803	1		Includes:		
6	CONTACT SPRING	93794	1	20	DECAL- Instruction	98572	1
7	BUTTON- Fast idle	94083	1	21	CLIP- Throttle cable	83842	2
8	SPRING- Fast idle	94065	1	22	TUBING- Rubber (after lot #E1119)		
9	TRIGGER- Throttle	93789-A	1		5 1/2" (fuel line)	94772-22	1
10	SEAL- Tube	93780	1		TUBING- Rubber (prior to lot #E1119)		
11	SCREW- Thread forming (10-18 x 3/4)	94088	7		6" (fuel line)	83157-24	1
12	HANDLE- Left side	93797	1	23	SLEEVE- 3 1/4" (After lot #E119)		
13	SCREW- Thread forming 9-18 x 1	94084	1		(fuel line)	97173	1
14	SCREW- Thread forming 6-19 x 7/16	93923	1	24	SPRING- Torsion	98441	1

ALWAYS FURNISH MODEL AND SERIAL NUMBER WHEN ORDERING PARTS.

ST-100 STRING TRIMMER

FIGURE 3



ST-100 STRING TRIMMER

NO.	DESCRIPTION	PART NO.	QTY.	NO.	DESCRIPTION	PART NO.	QTY.
1	SPARK PLUG	88216-B	1	32	COVER- Air (point ignition)	83784	1
2	LEAD- Ground (Solid State)	A-94716	1		COVER- Air (Solid State)	84883-C	1
3	WASHER- Flat #10	84003	3	33	SEAL	84234	1
4	STANDOFF	83728-A	1	34	SEAL	98890	1
5	SCREW- Washer hd. 5-32 x 3/4	82248	1	35	REED	85883	1
6	RETAINER- Coil	89326	1	36	CABLE- Throttle	83808-A	1
7	MODULE- Ignition (Solid State)	94711-A	1	37	CLAMP- Throttle cable	83894-A	1
	Includes:			38	SCREW- Thread forming 6-18 x 7/16	83823	1
8	TERMINAL- Hi tension	A-33055	1	39	VALVE- Fuel inlet (note 3)	A-97117	1
9	WIRE- High tension	89328	1	40	HOUSING- Carburetor	A-96327-C	1
10	CORE- (Point ignition)	88324	1		Includes:		
11	COIL- (Point ignition)	89323	1	41	FILTER- Fuel (.440)	83183	1
12	SCREW- Same hex hd w/washer 5-32 x 3/8 (point ignition)	88026	2	42	SCREEN- Filter	88820	1
13	SEAL- Lead (point ignition)	88247	1	43	"O" RING	48291	1
14	POINTS- Breaker (point ignition)	A-88336	1	44	GASKET	83894-A	1
	Includes:			45	PLUG- Unthreaded	88891	1
15	LEAD- Electrical	70249	1	46	GASKET	83888	1
16	CRANKCASE & CYLINDER (point ignition)	A-93807	1	47	SCREW- Mach pan hd. (10-24 x .812)	83834-1	2
	CRANKCASE & CYLINDER (Solid State) (Note 1)	A-97829-2A	1	48	SCREW- Mach. pan hd. 6-32 x 1/4	82159	1
	Includes:			49	CARBURETOR (Walbro) (WA-159)	A-97839	1
17	SCREW- Same hex hd. #8-32 x 1	88044	4	50	TUBING- Rubber 2 1/4" (Fuel line)	70010-09	1
18	PISTON	A-88393	1	51	COVER- Carburetor	A-88329	1
	Includes:				Includes:		
19	RING- Piston retaining	85281	2	52	DECAL	83883	1
20	PISTON RING (primary source)	89312	1	53	FILTER ELEMENT- Air	84183	1
	(note 2)	89312-1A	1	54	SCREW- Hex hd 10-32 x 1 5/8	82165	2
	PISTON RING (alternate source)	89312	1	55	SUPPORT- Air filter	83890-B	1
21	SEAL	84838	1	56	CHOKER	83892-C	1
22	SPACER- Seal (Note 1)	88514	2	57	NIPPLE- Fuel inlet	83887	1
23	BEARING- Needle	12830	2	58	SCREEN- Filter	88819	1
24	WASHER- Thrust (note 1)	88482	2	59	FILTER- Fuel (.250)	86184	1
25	KEY- Woodruff	88250	1	60	"O" RING	84150	1
26	CRANKSHAFT (point ignition)	A-96386	1	61	CABLE TIE	48840	1
	CRANKSHAFT (Solid State)	A-94992	1		NOTE 1: For crankcase & cylinder without seal spacer grooves use (2) 89083-B thrust washer & (1) 89427 seal spacer.		
27	NUT- Rotor 5/16-24	81117	1		NOTE 2: For units with pinless piston, use 86825 piston ring.		
28	WASHER- Lock 5/16	83002	1		NOTE 3: Fuel inlet valve A-97117 requires tubing (fuel line) 84772-22 & sleeve 97173.		
29	WASHER- 5/16	84085	1				
30	ROTOR & STARTER PAWL (Point ignition)	A-89297-C	1				
	ROTOR & STARTER PAWL (Solid State)	A-95007	1				
	Includes:						
31	PAWL- Starter (Kit)	A-70285-D	1				

ST-100 STRING TRIMMER

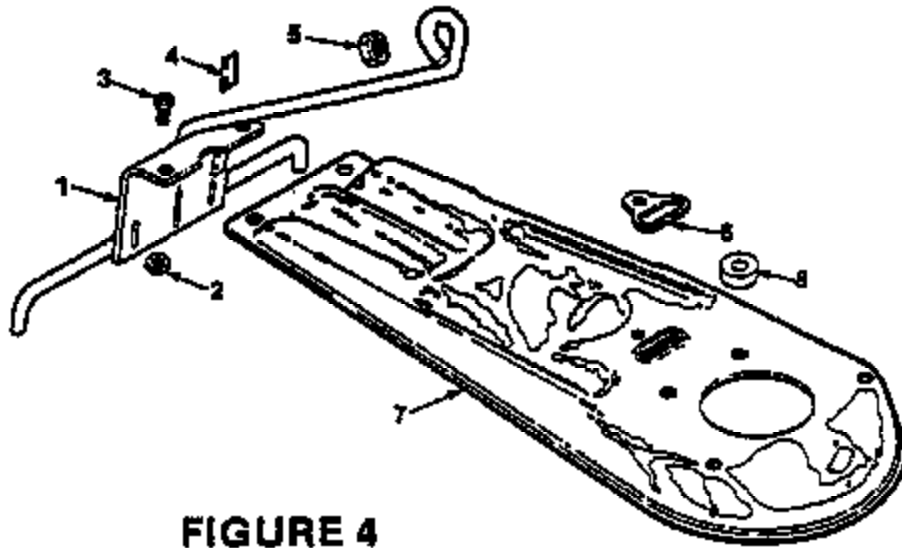
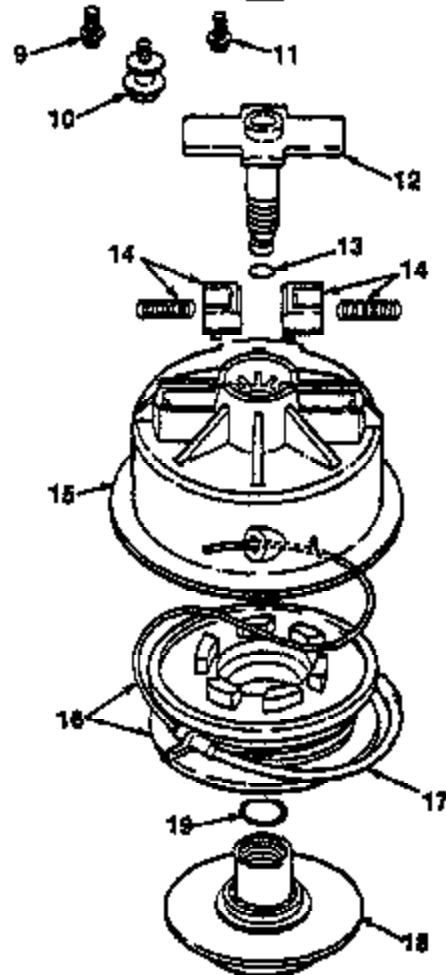


FIGURE 4

NO.	DESCRIPTION	PART NO.	QTY.
1	BRACKET & SUPPORT Includes: BOLT- Rib neck rd. hd. 1/4-20 x 1.750 (see fig. 1 index #15)	A-95238-B	1
2	NUT- Hex 8-32	82387-A	1
3	SCREW- Mech. pan hd., 8-32 x 3/8	81223	2
4	BLADE KIT	82253	2
5	NUT- Lock 1/4-20	A-86889	1
6	GASKET- Muffler	81108	1
7	MUFFLER	93801	1
8	SPACER	83763-B	1
9	SCREW 8-32 x 5/8	96821-A	2
10	SCREW- Shoulder 10-24	80582	2
11	SCREW- Bore hex hd. 10-24" .825 grade 8	93883-A	1
12	ADAPTER- Shaft	88080	2
13	"O" RING	A-94243	1
14	KIT- Slide & Spring	94150	1
15	HEAD- String (after lot #E-349)	A-95340-1A	1
	HEAD- String (prior to lot #E-349)	A-94233-2	1
16	SPOOL & STRING (after lot #E-349)	DA-97728	1
	SPOOL & STRING (prior to lot #E-349)	DA-93854-B	1
	Includes:		
17	TUBE- Weldnet	A-96518	1
18	RETAINER- Spool	A-94929	1
	Includes:		
19	"O" RING	86393	1



ST-100 STRING TRIMMER

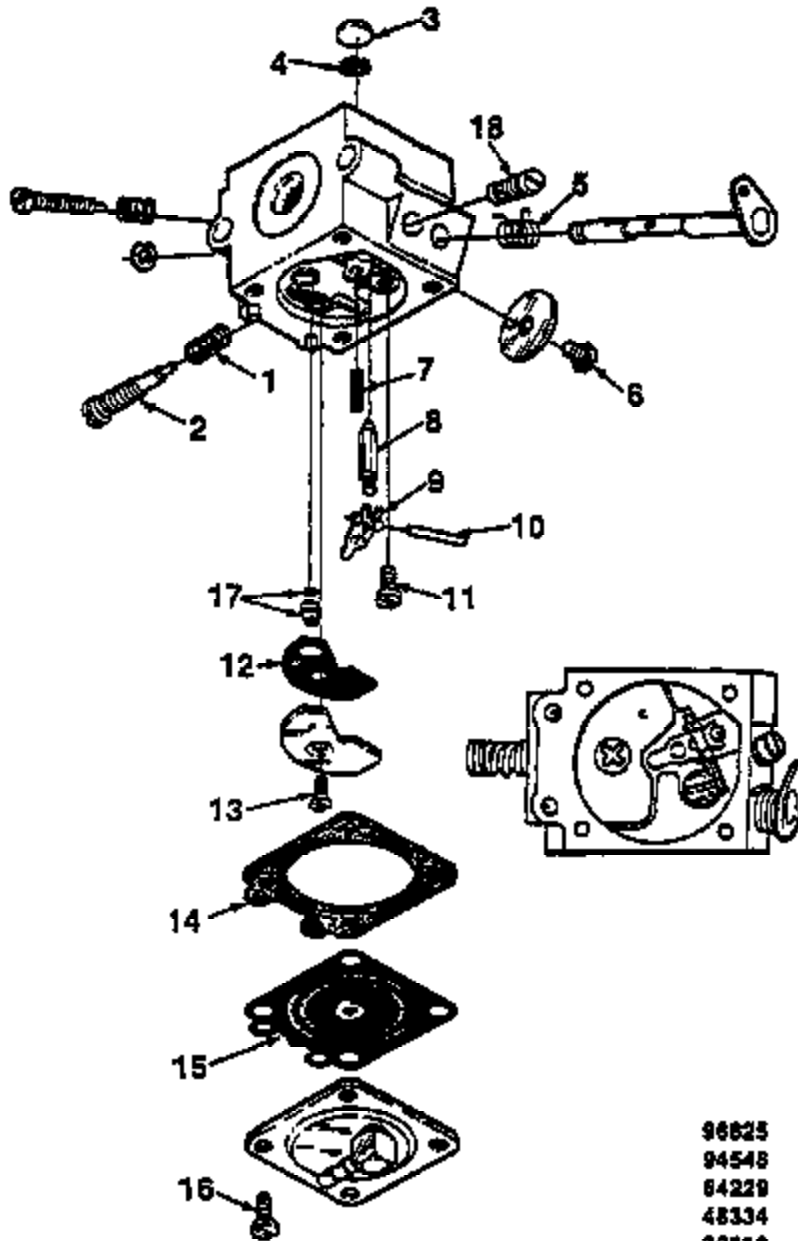


FIGURE 5

CARBURETOR A-97839 WA-159

96825	Repair Kit (Incl. 1-16)
94548	Check valve repair kit (#17)
84229	VALVE- Inlet (#8)
48334	VALVE- Governor (#16)
30818	PLUG- Welch (#3)
94544	SCREEN (#4)

ACCESSORIES & TOOLS

STRING (100' reel, .080" dia.)	DA-97952
WRENCH- Combination	A-24284
SHIM- Plastic	24306
SCREWDRIVER	24541
SEALANT- Silicone	24823
STARTER ROPE- 3 1/2 250' reel (after lot #G-049)	98052
STARTER ROPE- #4 250' reel (prior to lot #G-049)	97135
PULLER- Rotor	A-24747-A
Includes:	
BOLT (1) 5/16-18 x 1 3/4	80288
NUT (2) 5/16-18	81198
THREAD LOCKING COMPOUND	23488-C
IGNITION TEST SPARK PLUG	JA-31316-4
MULTI- PURPOSE GREASE	17193
TUBING- Rubber 10'	70310-99
TUBING- Rubber 10'	93157-99
TUBING- Rubber 10'	94772-99
CARBURETOR- Repair tool kit	17789

A10001

HOMELITE DIVISION OF TEXTRON INC.
P.O. BOX 7047
14401 CAROWINDS BOULEVARD
CHARLOTTE, N.C. 28217

OVERSEAS OFFICES

HOMELITE DIVISION OF TEXTRON INC.
 Korenstraat 1
 2153 BM Nieuw Vennep
 The Netherlands

HOMELITE DIVISION OF TEXTRON INC.
 Pacific Limited
 P.O. BOX 209
 Blackburn, 3130
 Victoria, Australia

HOMELITE TEXTRON

Homelite Division of Textron Inc.