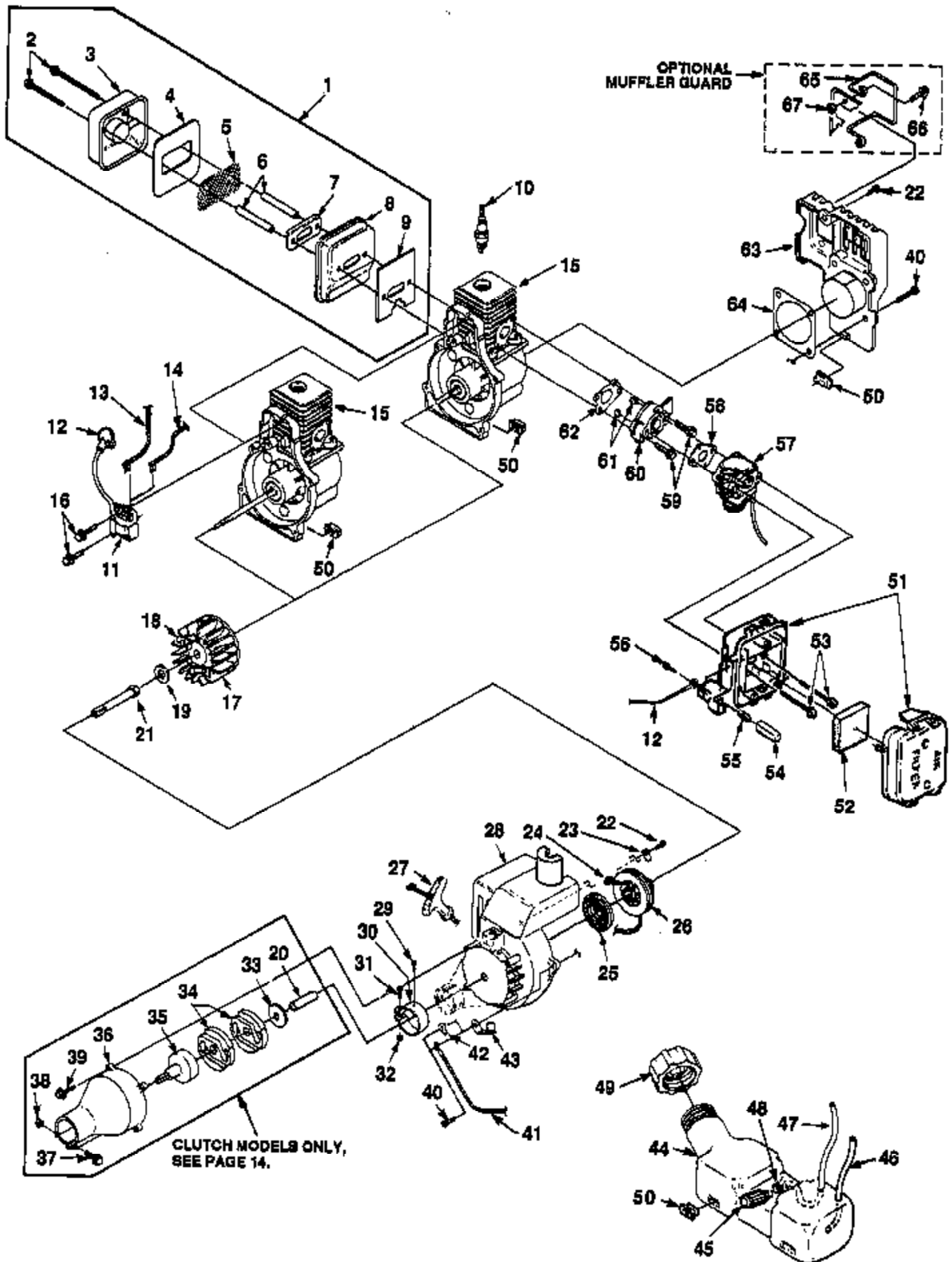
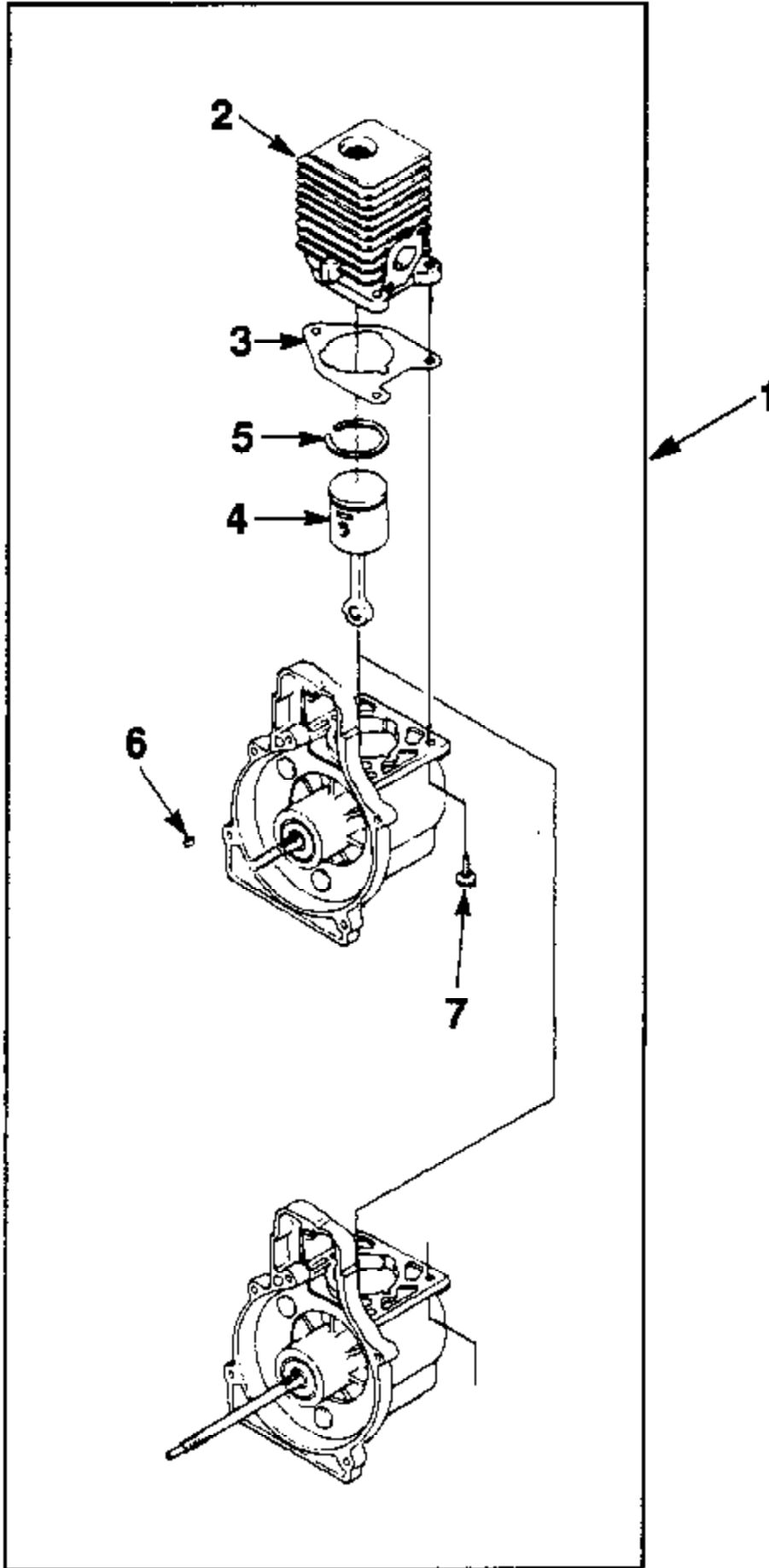


| Ref # | Part Number | Qty | Description |
|-------|-------------|-----|--|
| 1 | DA92703B | 1 | HARNESSE w/Connector (GST) |
| 2 | A00101A | 1 | HANDLE GRIP ASSEMBLY |
| 3 | A03006 | 1 | CABLE-Throttle |
| 4 | 98772A | 1 | TRIGGER |
| 5 | 82368 | 5 | SCREW-Plastite (#8 X 3/4") |
| 6 | 95110C | 1 | HANDLE Front |
| | 98822 | 1 | HANDLE- Front(ST-155, HGT, HLT-15, SX-135) |
| 7 | 80295 | 2 | SCREW-Hex Hd. (10-24 X 2") |
| 8 | 93992 | 2 | NUT-Wing (10-24) |
| 9 | A04459 | 1 | HOUSING Drive Shaft (Black) |
| 10 | 04458 | 1 | DECAL-Starting Instructions |
| 11 | 04154 | 1 | DECAL-Warning |
| 12 | 98853 | 1 | CLAMP |
| 13 | 98816 | 1 | SHAFT-Flex |
| 14 | 83009 | 1 | WASHER Lock (1/4") |
| 15 | 84003 | 1 | WASHER-Flat (1/4") |
| 16 | 82541 | 1 | SCREW-(#10 X 1/2") |
| 17 | A98231A | 1 | HOUSING & EYELET (Dual Line) |
| 18 | 98848 | 1 | SPRING-Compression |
| 19 | DA98912C | 1 | SPOOL & STRING (ST-155, SX-135, ST-175G, HLT-15, GST-18, HGT) |
| | DA02598A | 1 | SPOOL & STRING (HLT-16, HLT-18) |
| 20 | 9801105 | 1 | LINE Replacement (.080" Dia. 1 lb. Box)(ST-155,SX-135,ST-175G,HLT-15,G |
| | 0395903 | 1 | LINE-Replacement (.095" Dia. 1 lb. Box)(HLT-16, HLT-18) |
| 21 | DA98866A | 1 | RETAINER Spool (R.H. Thread) |
| | A01286 | 1 | DEFLECTOR & BLADE KIT (ST-155, SX-135, HLT-15) |
| 22 | A03834 | 1 | BLADE-Cut-Off (ST-155, SX-135, HLT-15) |
| 23 | 81261 | 2 | NUT-Hex (10-24) |
| 24 | 82531 | 2 | SCREW-Mach. Hex Hd. (10-24 X 7/8") |
| 22 | A03832 | 1 | BLADE Cut-Off (ST-175G, HGT, HLT-16) |
| 23 | 81261 | 2 | NUT-Hex (10-24) |
| 24 | 82531 | 2 | SCREW Mach Hex Hd. (10-24 X 7/8") |
| 25 | 98821 | 1 | DEFLECTOR-Grass (ST-155, SX-135, HLT-15, HGT, HLT-16) |
| | 02610 | 1 | DEFLECTOR-Grass (ST-175G, GST-18, HLT-18) |
| 26 | A03001 | 1 | STRINGHEAD COMPLETE (.080 Line)(ST-155,SX-135,ST-175G,HLT-15,GST-18,H |
| | A04591 | 1 | STRING HEAD COMPLETE (.095 Line) (HLT-16, HLT-18) |



| Ref # | Part Number | Qty | Description |
|-------|-------------|-----|---|
| 1 | A01123 | 1 | MUFFLER- Complete |
| 2 | 88060 | 2 | SCREW- Sems Hex Hd (10-24 X 2 1/2") |
| 3 | A98780 | 1 | COVER- Muffler |
| 4 | 98782 | 1 | BAFFLE- Muffler |
| 5 | 98784A | 1 | SCREEN- Spark |
| 6 | 98860A | 2 | SPACER- Muffler |
| 7 | 98783 | 1 | PLATE- Reinforcing |
| 8 | A01323 | 1 | BODY- Muffler |
| 9 | 98786B | 1 | GASKET- Muffler |
| | A04446 | 1 | IGNITION KIT |
| 10 | 96169S | 1 | SPARK PLUG (DJ7Y) |
| 11 | 94711CS | 1 | MODULE- Ignition |
| 12 | A33055 | 1 | TERMINAL- High-Tension |
| 13 | A00681 | 1 | LEAD-Electrical (ST-185BC, GST-BC, ST-285BC, ST-385BC, HBC-18, HBC-30) |
| 14 | A98809 | 1 | LEAD-Electrical (ST-155,SX-135,ST-175G,HLT-15,ST-275,GST,HGT,HLT-16) |
| 15 | | 1 | SHORT BLOCK |
| 16 | 82540 | 2 | SCREW- Taptite (8-32 X 1") |
| 17 | A00856 | 1 | ROTOR KIT (ST-185BC, GST-BC) |
| 18 | A70285E | 1 | KIT- Starter Pawl |
| 19 | 95479A | 1 | WASHER- Flat |
| 20 | 035662 | 1 | SPACER |
| 17 | A00857 | 1 | ROTOR KIT (ST-285BC, ST-385BC, HBC-18, HBC-30) |
| 18 | A70285E | 1 | KIT- Starter Pawl |
| 19 | 95479A | 1 | WASHER- Flat |
| 20 | 035661 | 1 | SPACER |
| 17 | A04158 | 1 | ROTOR KIT (ST-155, SX-135,ST-175G,HLT-15,ST-275,GST,HGT,HLT-16,HLT-1 |
| 18 | A70285E | 1 | KIT- Starter Pawl |
| 19 | 84065 | 1 | WASHER- Flat (5/16") (ST-155,SX-135,ST-175G,HLT-15,ST-275,HLT-18,HLT-1 |
| 21 | 98795A | 1 | CONNECTOR- Drive (ST-155,SX-135,ST-175G,HLT-15,ST-275,GST,HGT,HLT-16) |
| | A01083A | 1 | COMPLETE STARTER ASSEMBLY |
| 22 | 82541 | 4 | SCREW- Plastite (#10 X 1/2") |
| 23 | 98791 | 1 | BRACKET- Retaining |
| 24 | 9789902 | 1 | ROPE- Starter (42") |
| 25 | A98773 | 1 | SPRING & CONTAINER |
| 26 | 98770 | 1 | PULLEY- Starter |
| 27 | 02264 | 1 | GRIP- Starter |
| 28 | A02575C | 1 | HOUSING- Engine (ST 155,SX-135,ST-175G,HLT-15,ST-275,GST,HGT,HLT-16) |
| 28 | A02576C | 1 | HOUSING-Engine (ST-185BC,GST-BC,ST-285BC,ST-385BC,HBC-18,HBC-30) |
| 29 | 82522 | 1 | SCREW- Pan Hd. (#10 X 3/8") |
| 30 | 98802A | 1 | CLAMP |
| 31 | 82268 | 1 | SCREW- Hex Sems (10-24 X 3/8") |
| 32 | 97574 | 1 | NUT- Square |
| 33 | 98929A | 1 | WASHER- Clutch (ST-185BC, GST-BC, ST-285BC, ST-385BC, HBC-18, HBC-30) |
| 34 | 00242 | 1 | CLUTCH (ST-185BC, GST-BC) (ST-285BC, ST-385BC, HBC-18, HBC-30) |

| Ref # | Part Number | Qty | Description |
|-------|-------------|-----|---|
| 35 | A02727 | 1 | CONNECTOR & DRUM (ST-185BC, GST-BC) |
| | A03485A | 1 | CONNECTOR & DRUM (ST-285BC, ST-385BC, HBC-18, HBC-30) |
| 36 | A02396A | 1 | TUBE ADAPTOR (ST-185BC, GST-BC, ST-285BC, ST-385BC, HBC-18, HBC-30) |
| 37 | 88054 | 1 | SCREW- Sems Hex Hd (10 24 X 1 1/4") |
| 38 | 81208 | 1 | NUT (10-24) |
| 39 | 88052 | 4 | SCREW- Sems Hex Hd (10-24 X 7/8") |
| 40 | 82538 | 7 | SCREW- Taptite (10-24 X 3/4") |
| 41 | A98919A | 1 | LEAD- Ground |
| 42 | 02851 | 1 | TERMINAL |
| 43 | A98808 | 1 | BRACKET Cable |
| 44 | A04447 | 1 | TANK- Fuel |
| 45 | 49422 | 1 | FILTER- Fuel |
| 46 | 0143932 | 1 | TUBING- Rubber (8") |
| 47 | 9477232 | 1 | TUBING- Rubber (8") |
| 48 | 98268 | 1 | CLAMP- Wire |
| 49 | A00982A | 1 | FUEL CAP |
| 50 | 98792 | 3 | BUMPER- Rubber |
| 51 | A04449 | 1 | AIR FILTER BOX |
| 52 | D98760A | 1 | FILTER- Air |
| 53 | 82542 | 2 | SCREW (10-24 X 2 1/4") |
| 54 | 98769 | 1 | BUTTON- Switch |
| 55 | 95020 | 1 | SPRING- Compression |
| 56 | 93923 | 1 | SCREW- Plastite (#6) |
| 57 | A04445 | 1 | CARBURETOR KIT |
| 58 | 98766A | 1 | GASKET Carburetor |
| 59 | 825491 | 2 | SCREW- Taptite (10-24 X 1") |
| 60 | 98768 | 1 | HEAT DAM |
| 61 | 81208 | 2 | NUT (10-24) |
| 62 | 98765B | 1 | GASKET- Heat Dam |
| 63 | A00858 | 1 | CRANKCASE COVER |
| 64 | 98767A | 1 | GASKET- Crankcase Cover |
| 65 | A00254 | 1 | WIRE GUARD KIT |
| 66 | 88049 | 2 | SCREW- Hex Sems (10-24 X 1/2") |
| 67 | 81208 | 2 | NUT (10-24) |



| Ref # | Part Number | Qty | Description |
|-------|-------------|-----|--|
| 1 | A04742 | 1 | SHORT BLOCK (25 CC Non-Clutch) |
| | A04743 | 1 | SHORT BLOCK (25 CC w/Clutch) |
| | A00412 | 1 | SHORT BLOCK (30 CC Non-Clutch) |
| | A00411 | 1 | SHORT BLOCK (30 CC w/Clutch) |
| 2 | A03259 | 1 | CYLINDER & GASKET (25 CC Non-Clutch) |
| | A03259 | 1 | CYLINDER & GASKET (25 CC w/Clutch) |
| | A03785A | 1 | CYLINDER & GASKET (30 CC Non-Clutch) |
| | A03785A | 1 | CYLINDER & GASKET (30 CC w/Clutch) |
| 3 | 04388 | 1 | GASKET-Cylinder (25 CC Non-Clutch) |
| | 04388 | 1 | GASKET-Cylinder (25 CC w/Clutch) |
| | 03703A | 1 | GASKET-Cylinder (30 CC Non-Clutch) |
| | 03703A | 1 | GASKET-Cylinder (30 CC w/Clutch) |
| 4 | A04258 | 1 | PISTON & ROD (25 CC Non-Clutch) |
| | A04258 | 1 | PISTON & ROD (25 CC w/Clutch) |
| | A03705 | 1 | PISTON & ROD (30 CC Non-Clutch) |
| | A03705 | 1 | PISTON & ROD (30 CC w/Clutch) |
| 5 | 96935 | 1 | RING-Piston (25 CC Non-Clutch) |
| | 96935 | 1 | RING-Piston (25 CC w/Clutch) |
| | 03179 | 2 | RING-Piston (30 CC Non-Clutch) |
| | 03179 | 2 | RING-Piston (30 CC w/Clutch) |
| 6 | 69250 | 1 | KEY-Woodruff (25 CC Non-Clutch) |
| | 69250 | 1 | KEY-Woodruff (25 CC w/Clutch) |
| | 69250 | 1 | KEY-Woodruff (30 CC Non-Clutch) |
| | 69250 | 1 | KEY-Woodruff (30 CC w/Clutch) |
| 7 | 82568 | 3 | SCREW-Torx Pan Hd. (10-24 X 3/4") (25 CC Non-Clutch) |
| | 82568 | 3 | SCREW-Torx Pan Hd. (10-24 X 3/4") (25 CC w/Clutch) |
| | 82569 | 3 | SCREW-Torx Pan Hd. (10-24 X 3/4") (30 CC Non-Clutch) |
| | 82569 | 3 | SCREW-Torx Pan Hd. (10-24 X 3/4") (30 CC w/Clutch) |

ACCESSORIES

SAW BLADE.....D-98935-A
(ST-185BC, GST-BC, ST-285BC,
ST-385BC, HBC-18, HBC-30)

GREASE, MULTI-PURPOSE....18453

MACHETE BLADE.....DA-00714-A
(ST-185BC, GST-BC, ST-285BC,
ST-385BC, HBC-18, HBC-30)

THREAD LOCKING COMPOUND..23488-C

MODULE AIR GAP SHIM.....24306

GRASS ANTI WRAP KIT....A-04191
(ST-155, SX-135, ST-175G, HLT-15,
GST, HGT, HLT-16, HLT-18)

IGNITION TEST SPARK PLUG..JA-31316-4

RUBBER TUBING (10 ft.)....94772-99

STARTER ROPE (250 ft. Reel)..98052-A

REPLACEMENT STRING (3 lb. Box)..98011-06
(.080" Dia.)

REPLACEMENT STRING (3 lb Box)..03959-04
(.095" Dia.)

TORX BIT (T25).....24982-03
(for clutch drums)

TORX BIT (T27).....18566-01

STRINGHEAD- Complete.....A-03001
(.080 Line) (Right Hand Thread) (Black
Retainer) (ST-155, SX-135, ST-175G, HLT-15,
GST-18, HGT, ST-185BC, ST-275, ST-285BC,
GST-BC).

STRINGHEAD- Complete.....A-03174
(.095 Line) (Left Hand Thread) (Red Retainer)
(HLT-28, ST-385BC, HBC-30)

STRINGHEAD- Complete.....A-04591
(.095 Line) (Right Hand Thread) (Black
Retainer) (HLT-16, HLT-18, HBC-18)

STRINGHEAD- Complete.....A-04592
(.080 Line) (Left Hand Thread) (Red Retainer)
(ST-275, ST-285BC, GST-BC)

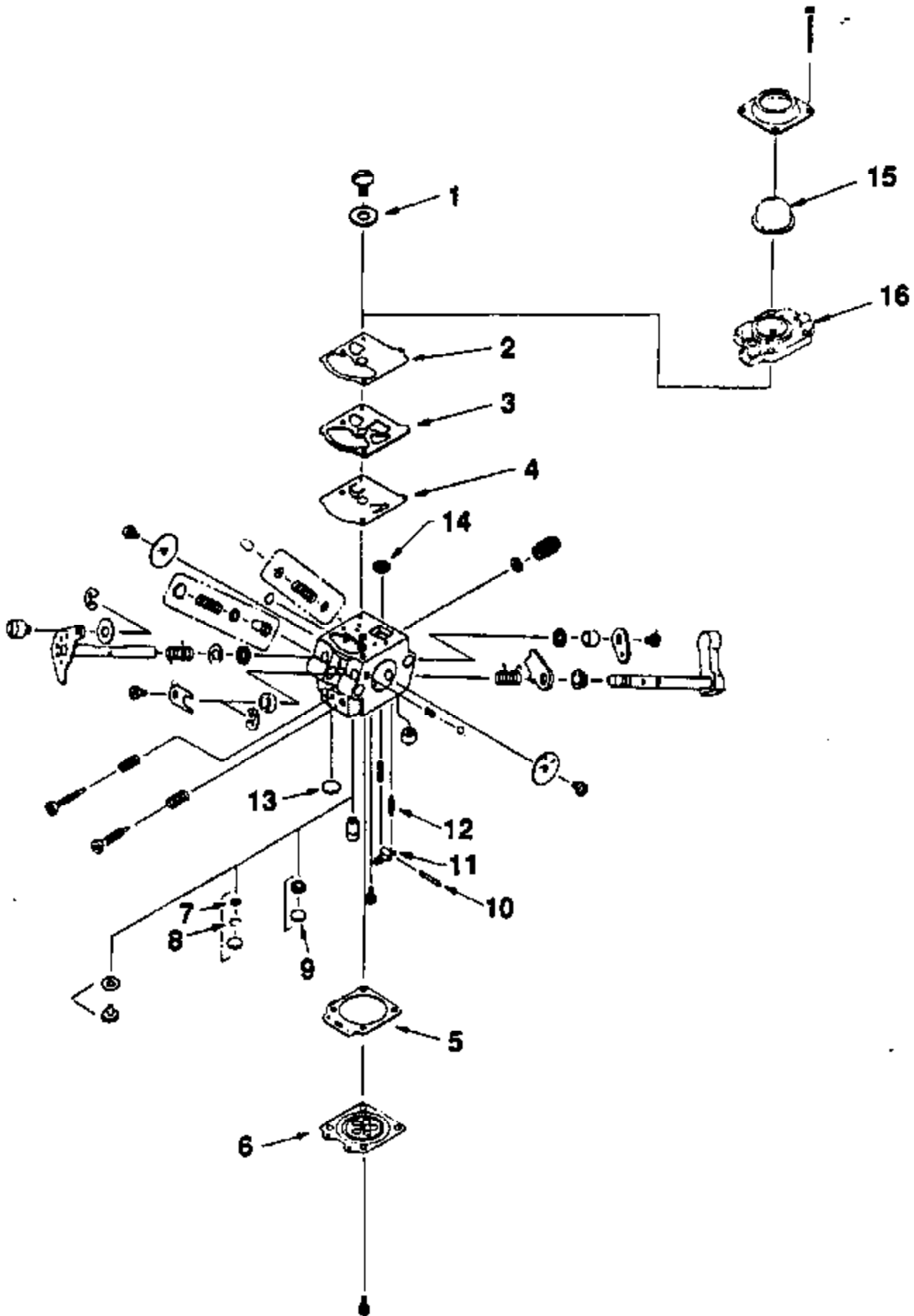
CLUTCH MODELS

ST-185BC
ST-285BC
ST-385BC
GST-BC
HBC-18
HBC-30

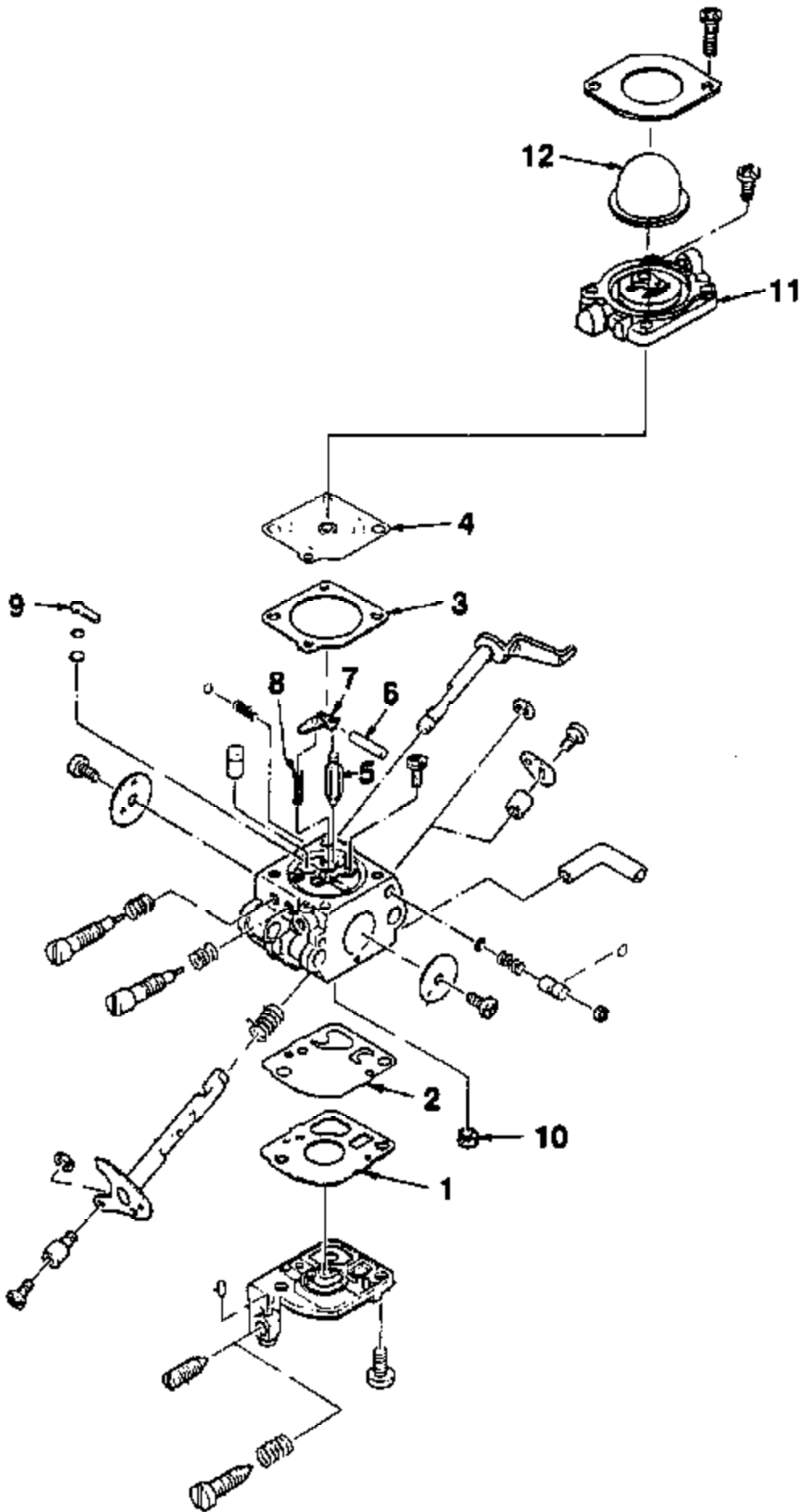
NON-CLUTCH MODELS

ST-155
SX-135
ST-175G
ST-275
GST
HGT
HLT-15
HLT-16
HLT-18
HLT-28

| Ref # | Part Number | Qty | Description |
|------------|-------------|-----|---|
| D-98935-A | D98935A | 1 | SAW BLADE (ST-185BC, GST-BC, ST-285BC, ST-385BC, HBC-18, HBC-30) |
| 18453 | 18453 | 1 | GREASE, MULTI-PURPOSE |
| DA-00714-A | DA00714A | 1 | MACHETE BLADE (ST-185BC,GST-BC,ST-285BC,ST-385BC,HBC-18,HBC-30) |
| 23488C | 23488C | 1 | THREAD LOCKING COMPOUND |
| 24306 | 24306 | 1 | MODULE AIR GAP SHIM |
| A-04191 | A04191 | 1 | GRASS ANTI WRAP KIT (ST-155,SX-135,ST-175G,HLT-15,GST,HGT,HLT-16,H |
| JA313164 | JA313164 | 1 | IGNITION TEST SPARK PLUG |
| 9477299 | 9477299 | 1 | RUBBER TUBING (10 ft.) |
| 98052-A | 98052A | 1 | STARTER ROPE (250 ft. Reel) |
| 98011-06 | 9801106 | 1 | REPLACEMENT STRING (3 lb. Box) (.080" Dia.) |
| 03959-04 | 0395904 | 1 | REPLACEMENT STRING (3 lb. Box) (.095" Dia.) |
| 24982-03 | 2498203 | 1 | TORX BIT (T25) (for clutch drums) |
| 18566-01 | 1856601 | 1 | TORX BIT (T27) |
| A-03001 | A03001 | 1 | STRINGHEAD-Complete (.080 Line)(Right Hand Thread)(Black Retainer)(ST |
| A-03174 | A03174 | 1 | STRINGHEAD-Complete (.095 Line)(Left Hand Thread)(Red Retainer)(HLT-2 |
| A-04591 | A04591 | 1 | STRINGHEAD-Complete (.095 Line)(Right Hand Thread)(Black Retainer)(HL |
| A-04592 | A04592 | 1 | STRINGHEAD-Complete (.080 Line)(Left Hand Thread)(Red Retainer)(ST-27 |



| Ref # | Part Number | Qty | Description |
|-------|-------------|-----|----------------------|
| 1 | A02665 | 1 | Repair Kit |
| 2 | A02665 | 1 | Repair Kit |
| | A00285A | 1 | Gasket/Diaphragm Kit |
| 3 | A02665 | 1 | Repair Kit |
| | A00285A | 1 | Gasket/Diaphragm Kit |
| 4 | A02665 | 1 | Repair Kit |
| | A00285A | 1 | Gasket/Diaphragm Kit |
| 5 | A02665 | 1 | Repair Kit |
| | A00285A | 1 | Gasket/Diaphragm Kit |
| 6 | A02665 | 1 | Repair Kit |
| | A00285A | 1 | Gasket/Diaphragm Kit |
| 7 | A02665 | 1 | Repair Kit |
| 8 | A02665 | 1 | Repair Kit |
| 9 | A02665 | 1 | Repair Kit |
| 10 | A02665 | 1 | Repair Kit |
| 11 | A02665 | 1 | Repair Kit |
| 12 | A02665 | 1 | Repair Kit |
| 13 | A02665 | 1 | Repair Kit |
| 14 | A02665 | 1 | Repair Kit |
| 15 | 01201 | 1 | Primer Bulb |
| 16 | A01200A | 1 | Primer Base |
| | 03176 | 1 | Choke Shaft & Lever |



| Ref # | Part Number | Qty | Description |
|-------|-------------|-----|----------------------|
| 1 | A03979 | 1 | Repair Kit |
| | A03980 | 1 | Gasket/Diaphragm Kit |
| 2 | A03979 | 1 | Repair Kit |
| | A03980 | 1 | Gasket/Diaphragm Kit |
| 3 | A03979 | 1 | Repair Kit |
| | A03980 | 1 | Gasket/Diaphragm Kit |
| 4 | A03979 | 1 | Repair Kit |
| | A03980 | 1 | Gasket/Diaphragm Kit |
| 5 | A03979 | 1 | Repair Kit |
| 6 | A03979 | 1 | Repair Kit |
| 7 | A03979 | 1 | Repair Kit |
| 8 | A03979 | 1 | Repair Kit |
| 9 | A03979 | 1 | Repair Kit |
| 10 | A03979 | 1 | Repair Kit |
| 11 | A03062 | 1 | Primer Base |
| 12 | A01195A | 1 | Primer Bulb |
| | | 1 | Choke Shaft & Lever |