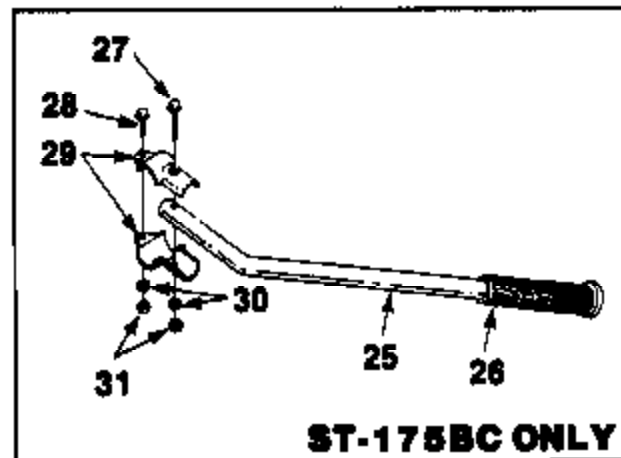
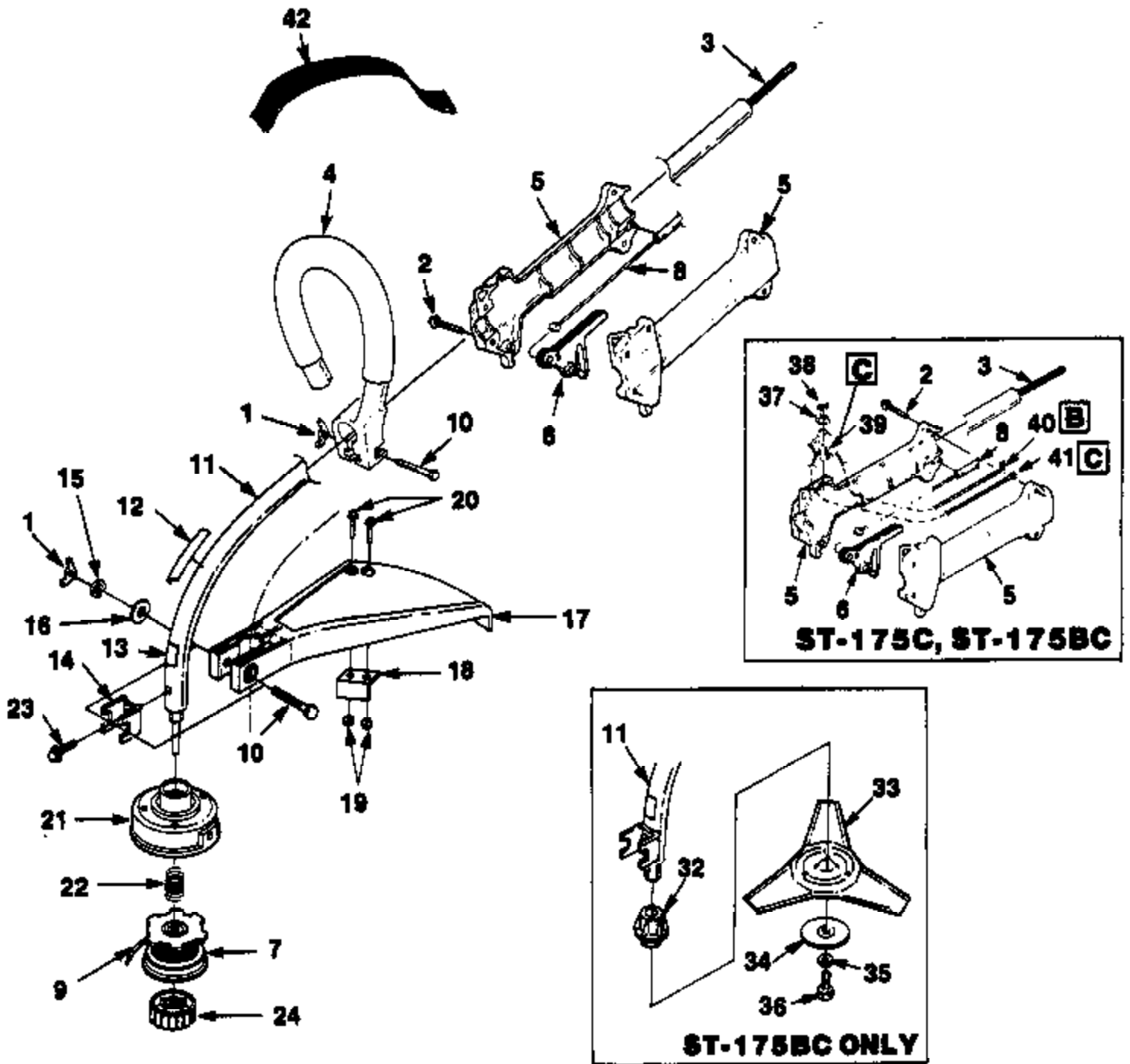


**ACCESSORIES**  
**ACCESSOIRES**  
**TOEBEHOREN**  
**ZUBEHÖR**  
**ACCESSORI**  
**ACCESORIOS**  
**ACESSÓRIOS**

- |   |  |
|---|--|
| <ul style="list-style-type: none"> <li>Ⓜ Holding tool ..... 00063</li> <li>Ⓟ Outil de maintien</li> <li>Ⓝ Blokkeerpen</li> <li>Ⓞ Haltewerkzeug</li> <li>Ⓡ Attrezzo di bloccaggio</li> <li>Ⓢ Herramienta sujetadora</li> <li>Ⓣ Acessório de suporte</li> </ul>   | <ul style="list-style-type: none"> <li>Ⓜ Ignition Test Spark Plug ..... JA-31316-4</li> <li>Ⓟ Testeur d'allumage</li> <li>Ⓝ Bougie voor ontstekingscontrole</li> <li>Ⓞ Testzündkerze für Zündprüfung</li> <li>Ⓡ Candela di collaudo</li> <li>Ⓢ Bujía para probar el encendido</li> <li>Ⓣ Vela de ensaio de ignição</li> </ul>  |
| <ul style="list-style-type: none"> <li>Ⓜ Grease, Multi-Purpose ..... 18453</li> <li>Ⓟ Graisse universelle</li> <li>Ⓝ Universeel vet</li> <li>Ⓞ Mehrzweck-Schmiermittel</li> <li>Ⓡ Grasso, multiuso</li> <li>Ⓢ Grasa universal</li> <li>Ⓣ Lubrificante, para fins múltiplos</li> </ul>   | <ul style="list-style-type: none"> <li>Ⓜ Rubber Tubing (10 ft) (3,05 m) ..... 94772-99</li> <li>Ⓟ Tubes en caoutchouc (3,05 m)</li> <li>Ⓝ Rubber slang (3,05 m)</li> <li>Ⓞ Gummirohr (3,05 m)</li> <li>Ⓡ Dotto di gomma (3,05 m)</li> <li>Ⓢ Tubo de caucho (3,05 m)</li> <li>Ⓣ Tubo de borracha (3,05 m)</li> </ul>  |
| <ul style="list-style-type: none"> <li>Ⓜ Carburetor Repair Tool ..... 17789</li> <li>Ⓟ Outil de réparation de carburateur</li> <li>Ⓝ Reparatiegereedschap voor carburateur</li> <li>Ⓞ Vergaser-Reparaturwerkzeug</li> <li>Ⓡ Attrezzo di riparazione del carburatore</li> <li>Ⓢ Herramienta de reparación del carburador</li> <li>Ⓣ Ferramenta de reparação do carburador</li> </ul>                 | <ul style="list-style-type: none"> <li>Ⓜ Starter Rope (280 ft Reel) (76 m) ..... 86052-A</li> <li>Ⓟ Cordon de lanceur (bobine de 76 m)</li> <li>Ⓝ Startkoord (spoel met 76 m)</li> <li>Ⓞ Starterseil (76 m Spule)</li> <li>Ⓡ Corda d'avviamento (bobina de 76 m)</li> <li>Ⓢ Cuerda de arranque (carrete de 76 m)</li> <li>Ⓣ Cabo do arrancador (rolo de 76 m)</li> </ul>   |
| <ul style="list-style-type: none"> <li>Ⓜ Thread Locking Compound ..... 23488-C</li> <li>Ⓟ Produit de blocage de filetage</li> <li>Ⓝ Borgmiddel voor schroefdraden</li> <li>Ⓞ Gewinde-Sicherungsmasse</li> <li>Ⓡ Composto di bloccaggio della filettatura</li> <li>Ⓢ Pasta selladora de roscas</li> <li>Ⓣ Composto de retenção de roscas</li> </ul>  | <ul style="list-style-type: none"> <li>Ⓜ Torx Drive Bit T25 ..... 24982-01</li> <li>Ⓟ Foret torx</li> <li>Ⓝ Torx-drijfbit</li> <li>Ⓞ Torx-Antriebsbit</li> <li>Ⓡ Punta Torx Drive</li> <li>Ⓢ Broca de empuje Torx</li> <li>Ⓣ Broca accionadora Torx</li> </ul>   |
| <ul style="list-style-type: none"> <li>Ⓜ Shim (.125") (3,17 mm) ..... 24308</li> <li>Ⓟ Cale (3,17 mm)</li> <li>Ⓝ Afstandsbus (3,17 mm)</li> <li>Ⓞ Distanzscheibe (3,17 mm)</li> <li>Ⓡ Spessore (3,17 mm)</li> <li>Ⓢ Suplemento (3,17 mm)</li> <li>Ⓣ Calço (3,17 mm)</li> </ul>  | <ul style="list-style-type: none"> <li>Ⓜ Torx Bit (for clutch drum) T25 ..... 24982-03</li> <li>Ⓟ Foret torx (pour tambour d'embrayage)</li> <li>Ⓝ Torx drijfbit (voor koppelingstrommel)</li> <li>Ⓞ Torx-Antriebsbit (für Kupplungstrommel)</li> <li>Ⓡ Punta Torx Drive (per il tamburo della frizione)</li> <li>Ⓢ Broca de empuje Torx (tambor del embrague)</li> <li>Ⓣ Broca Torx (para o tambor da embreagem)</li> </ul> |
| <ul style="list-style-type: none"> <li>* Ⓜ Grass Anti Wrap Kit ..... A-04191</li> <li>Ⓟ Nécessaire anti-enroulement d'herbe</li> <li>Ⓝ Apparatuur om te voorkomen dat gras zich rond de aandrijf/as wikkekt</li> <li>Ⓞ Gräserückhalter</li> <li>Ⓡ Kit antilavvolgimento d'erba</li> <li>Ⓢ Dispositivo contra la acumulación de pasto</li> <li>Ⓣ Dispositivo contra a acumulação de relva</li> </ul> |  |

Ref #	Part Number	Qty	Description
00063	00063	1	Holding tool
18453	18453	1	Grease, Multi-Purpose
17789	17789	1	Carburetor Repair Tool
23488C	23488C	1	Thread Locking Compound
24306	24306	1	Shim (.125") (3.17 mm)
A-04191	A04191	1	Grass Anti Wrap Kit ST-145, ST-155, ST-175, ST-175C, ST-175BC, HGT, GST
JA313164	JA313164	1	Ignition Test Spark Plug
9477299	9477299	1	Rubber Tubing (10 ft.) (3.05 m)
98052-A	98052A	1	Starter Rope (250 ft. Reel) (76 m)
2498201	2498201	1	Torx Drive Bit T25
24982-03	2498203	1	Torx Bit (for clutch drum) T25



Ref #	Part Number	Qty	Description
1	93992	2	NUT- Wing
2	82368	5	SCREW- Plastite (#8 x 3/4")
3	98816	1	SHAFT- Flexible
4	A98525	1	HANDLE- Front
5	A00879	1	HANDLE GRIP ASSEMBLY
6	98772A	1	TRIGGER
7	DA98911B	1	SPOOL & STRING (ST-155) (Dual Line)
	DA98912B	1	SPOOL & STRING (Dual Line)
8	A03006	1	CABLE-Throttle
9	DA97952B	1	LINE- Replacement (.080 Dia.) (100 Ft.)
10	80295	2	SCREW (10-24 x 2")
11	A00104A	1	HOUSING- Drive Shaft
12	989231	1	DECAL- Starting Instructions
13	02985	1	DECAL- Warning
14	98853	1	CLAMP
	A02720	1	HOUSING- Drive shaft (ST-175BC Only)
	00588	1	DECAL (ST-175BC Only)
	02985	1	DECAL- Warning (ST-175BC Only)
	98853	1	CLAMP (ST-175BC Only)
	989241	1	DECAL- Instr. (ST-175BC Only) (Not Shown )
15	83009	1	LOCKWASHER (1/4")
16	84006	1	WASHER- Flat (1/4")
17	98821	1	DEFLECTOR- Grass
	02610	1	DEFLECTOR- Grass (ST-175BC & GST)
18	A03834	1	BLADE- Cut-off (Models 145 & 155)
	A03832	1	BLADE- Cut-off (Models 175, 175C, ST-175BC & HGT)
	A03833	1	BLADE- Cut-off (Model GST)
19	81261	2	NUT (10-24)
20	82531	2	SCREW (10-24 x 7/8")
21	A98231A	1	HOUSING & EYELET- Dual line
22	98848	1	SPRING- Compression
23	88077	1	SCREW (10-24 x 3/8")
24	DA98866A	1	RETAINER- Spool (R.H. Threaded)
	A02781	1	RETAINER- Spool (ST-175BC)
25	A97709A	1	HANDLE BAR (ST-175BC)
26	94474B	1	GRIP (ST-175BC)
27	88071	1	SCREW (ST-175BC)
28	88078	1	SCREW (ST-175BC)
29	00422	1	CLAMP (ST-175BC)
30	83061	1	WASHER (ST-175BC)
31	81267	1	NUT (ST-175BC)
32	02617	1	ADAPTOR (ST-175BC)
33	DA02616A	1	BLADE- Weed (ST-175BC)
34	00580	1	WASHER- Cupped (ST-175BC)
35	83030	1	WASHER (ST-175BC)
36	80085	1	SCREW (ST-175BC)
37	95231	1	PLATE- Indicating (ST-175C & ST-175BC)
38	72084A1	1	NUT (ST-175C & ST-175BC)
39	93653	1	SWITCH- Toggle (ST-175C & ST-175BC)
40	A98918	1	LEAD- Electrical (ST-175C & ST-175BC)
41	A98919	1	LEAD- Ground (ST-175C & ST-175BC)
42	DA92703B	1	HARNESS w/connector (GST & ST-175BC)

**EN CARBURETOR**  
**FR CARBURATEUR**  
**DE CARBURATEUR**  
**ES VERGASER**  
**IT CARBURATORE**  
**PT CARBURADOR**  
**RU CARBURADOR**

**EN ZAMA ..... A-03003**  
**FR Repair Kit ..... A-03078**  
Jeu de réparation  
Reparatieset  
Reparatursatz  
Kit per riparazioni  
Juego de reparación  
Jogo de reparacão

**EN Gasket/Diaphragm Kit ..... A-03080**  
Jeu joint/diaphragme  
Packing/membraan set  
Dichtung/Membrane-Satz  
Kit diaframma/guarnizione  
Conjunto junta/diafragma  
Jogo de juntas vedantes/diafragmas

**EN Primer Bulb ..... A-01185-A**  
Bouton d'amorçage  
Voorinspuitspomp  
Vorpumpe  
Cicchetto  
Bulbo cebador  
Bomba da unidade de escorvagem

**EN Primer Base\* (Aluminum) ..... A-01184**  
**Primer Base\* (Plastic) ..... A-03062**  
Base d'amorçage\* (aluminium)  
Base d'amorçage\* (plastique)  
Voorinspuit-sokkel\* (aluminium)  
Voorinspuit-sokkel\* (plastic)  
Vorpumpen-Sockel\* (Aluminium)  
Vorpumpen-Sockel\* (Plastik)  
Base del cicchetto\* (aluminio)  
Base del cicchetto\* (plástico)  
Base de cebador\* (aluminio)  
Base de cebador\* (plástico)  
Base da unidade de escorvagem\* (Alumínio)  
Base da unidade de escorvagem\* (Plástico)

**EN \*Primer Base kits are not interchangeable.**  
\*Les jeux de base d'amorçage ne sont pas interchangeables.  
\*Sokkel-sets voor voorinspuiten zijn niet verwisselbaar.  
\*Sockel-sätze für die Vorpumpe sind nicht austauschbar.  
\*I kit della base del cicchetto non sono intercambiabili.  
\*Los juegos de base de cebador no son intercambiables.  
\*Os jogos de base da unidade de escorvagem não são intercambiáveis.

**EN Swivel Kit ..... A-00289**  
Jeu de pivots  
Zwenkset  
Drehzapfen-Satz  
Serie di ingranaggi giravoli  
Juego de enganche giratorio  
Jogo da rótula

**EN WALBRO ..... A-03002**  
**FR Repair Kit ..... A-02065**  
Jeu de réparation  
Reparatieset  
Reparatur-Satz  
Kit di riparazione  
Juego de reparación  
Jogo de reparacão

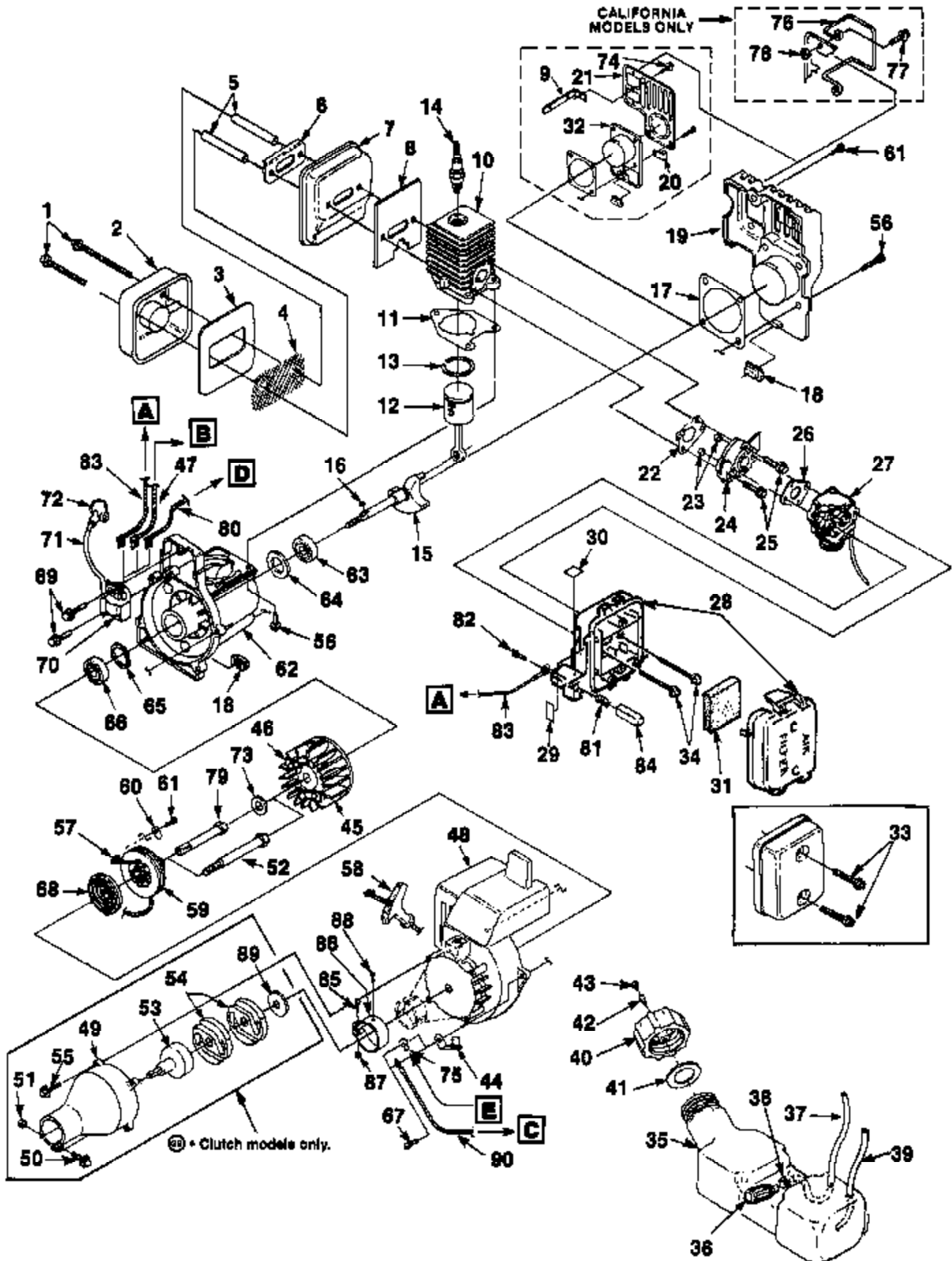
**EN Gasket/Diaphragm Kit ..... A-00285-A**  
Jeu joint/diaphragme  
Packing/membraan set  
Dichtung/Membrane-Satz  
Kit diaframma/guarnizione  
Conjunto junta/diafragma  
Jogo de juntas vedantes/diafragmas

**EN Swivel Kit ..... A-00289**  
Jeu de pivots  
Zwenkset  
Drehzapfen-Satz  
Serie di ingranaggi giravoli  
Juego de enganche giratorio  
Jogo da rótula

**EN Primer Bulb ..... 01201**  
Bouton d'amorçage  
Voorinspuitspomp  
Vorpumpe  
Cicchetto  
Bulbo cebador  
Bomba da unidade de escorvagem

**EN Primer Base\* ..... A-01200-A**  
Base d'amorçage\*  
Voorinspuit-sokkel\*  
Vorpumpen-Sockel\*  
Base del cicchetto\*  
Base de cebador\*  
Base da unidade de escorvagem\*

Ref #	Part Number	Qty	Description
A-03003	A03003	1	ZAMA
A-03979	A03979	1	Repair Kit
A-03980	A03980	1	Gasket/Diaphragm Kit
A-01195-A	A01195A	1	Primer Bulb
A-01194	A01194	1	Primer Base (Aluminum) Primer Base kits are not interchangeable.
A-03062	A03062	1	Primer Base (Plastic) Primer Base kits are not interchangeable.
A-00289	A00289	1	Swivel Kit
A-03002	A03002	1	WALBRO
A-02665	A02665	1	Repair Kit
A00285A	A00285A	1	Gasket/Diaphragm Kit
A-00289	A00289	1	Swivel Kit
01201	01201	1	Primer Bulb
A-01200-A	A01200A	1	Primer Base



Ref #	Part Number	Qty	Description
1	88060	2	SCREW- (10-24 x 2 1/2")
2	A98780	1	COVER- Muffler
3	98782	1	BAFFLE- Muffler
4	98784A	1	SCREEN- Spark
5	98860A	2	SPACER- Muffler
6	98783	1	PLATE- Reinforcing
7	A01323	1	BODY- Muffler
8	98786B	1	GASKET- Muffler
9	00179	1	BRACKET-
10	A00108	1	CYLINDER
11	03703A	1	CYLINDER- Gasket
12	A01036A	1	PISTON & ROD ASSEMBLY
13	96935	1	RING- Piston
14	96169S	1	SPARK PLUG (DJ7Y)
	79252	1	SPARK PLUG (RDJ7Y) (Int'l)
15	987582	1	CRANKSHAFT (Model 145 & 155)
	987583	1	CRANKSHAFT (Models 175,175C,175BC,185,185C,285,275,285BC,385,385C,
16	69250	1	KEY- Woodruff
17	98767A	1	GASKET- Crankcase cover
18	98792	3	BUMPER- Rubber
19	01023B	1	COVER- Crankcase
20	98752	1	CLAMP
21	98934	1	SHIELD
22	98765B	1	GASKET- Heat dam
23	81208	2	NUT (10-24)
24	98768	1	HEAT DAM
25	825491	2	SCREW- Taptite (10-24 x 1")
26	98766A	1	GASKET- Carburetor
27	A03003	1	CARBURETOR- (Zama)
	A03002	1	CARBURETOR- (Walbro)
28	A01440A	1	AIR FILTER BOX
29	00772	1	DECAL- Choke, Run
30	98943	1	DECAL- Push-Hold
31	D98760A	1	FILTER- Air
32	98754B	1	COVER- Crankcase
33	82368	2	SCREW- Plastite (8 x 3/4")
34	82542	2	SCREW (10-24 x 2 1/4")
35	A01441	1	TANK- Fuel
36	49422	1	FILTER- Fuel
37	9477232	1	TUBING- Rubber (8")
38	98268	1	WIRE CLAMP
39	0143932	1	TUBING- Rubber (8")
40	A00982A	1	FUEL CAP ASSEMBLY
41	98805A	1	GASKET- Fuel cap
42	03134	1	VALVE- Duckbill
43	98913	1	FILTER-Cap
44	A98808	1	BRACKET-Cable
45	A95007	1	ROTOR
46	A70285E	1	KIT- Starter pawl
47	A98918	1	LEAD- Electrical (Models 175BC,185,185C,285BC,385-UT-15040&UT10540-A,
48	A02576B	1	HOUSING- Engine (Clutch Models Only)
	A02575	1	HOUSING- Engine (Non-Clutch Models)
49	A02396A	1	TUBE ADAPTOR
50	88054	1	SCREW (10-24 x 1 1/4")
51	81208	1	NUT(10-24)



Ref #	Part Number	Qty	Description
52	01547	1	ADAPTOR- Clutch (Clutch Models Only)
53	A02727	1	CONNECTOR & DRUM
54	00242	2	CLUTCH
55	88052	4	SCREW (10-24 x 7/8")
56	82538	3	SCREW (10-24 x 3/4")
57	9789902	1	ROPE- Starter (42")
58	02264	1	GRIP- Starter
59	98770	1	PULLEY- Starter
60	98791	1	BRACKET- Retaining
61	82541	2	SCREW- Plastite (10 x 1/2")
62	A00107A	1	CRANKCASE ASSEMBLY
63	98797	1	BEARING- Ball
64	98800	1	SEAL
65	98799	1	RING- Retaining
66	98798	1	BALL- Bearing
67	82538	5	SCREW- Taptite (10-24 x 3/4")
68	A98773	1	SPRING & CONTAINER
69	82540	2	SCREW- Taptite (8-32 x 1")
70	94711CS	1	MODULE- Ignition
71	69326	1	LEAD- High-Tension
72	A33055	1	TERMINAL- High-Tension
73	84065	1	WASHER- Flat (5/16") (Non-Clutch Models)
74	88077	1	SCREW- Hex sems (10-24 x 3/8")
75	02851	1	TERMINAL (Models 385--UT15040B, UT15040C, & UT15040D) (Model 485)
76	A00254	1	WIRE GUARD KIT (California Models Only)
77	88049	2	SCREW- Hex sems (10-24 x 1/2")
78	81208	2	NUT- (10-24)
79	98795A	1	CONNECTOR- Drive (Non Clutch Models)
80	A00681	1	LEAD- Electrical (Model 385--UT15040B, UT15040C, UT15040D & Model 485)
81	95020	1	SPRING- Compression
82	82513	1	SCREW- Thread Forming
83	A98809	1	LEAD- Electrical (Models 145, 155, 175, 175C, 285, HGT & GST)
84	98769	1	BUTTON- Switch
85	82268	1	SCREW- Hex sems (10-24 x 3/8")
86	98802A	1	CLAMP
87	97574	1	NUT- Square
88	82455	1	SCREW
89	98929A	1	WASHER- Clutch
90	A98919	1	LEAD- Ground (Models 185 & 385--UT15040 & UT15040A)