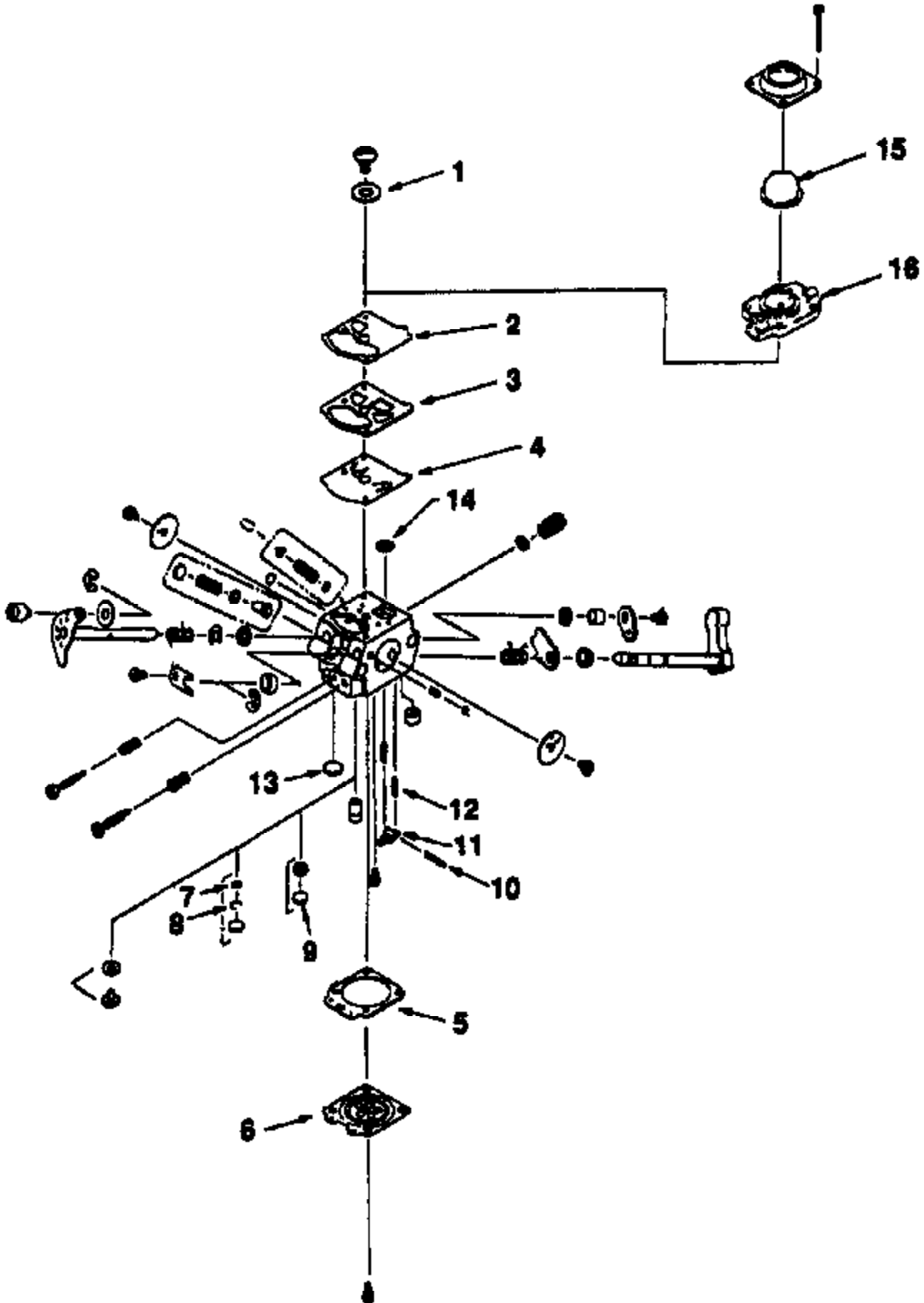
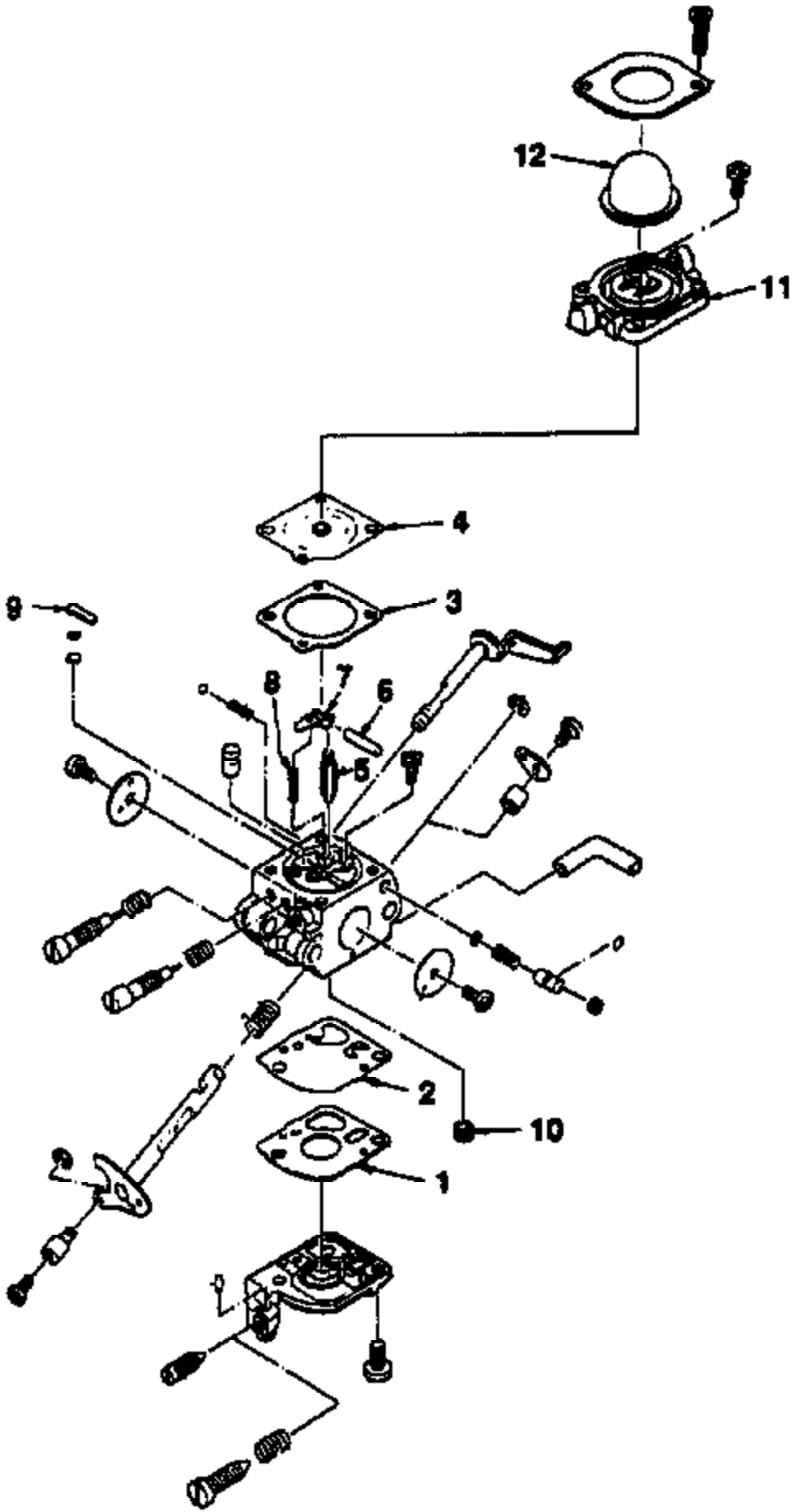


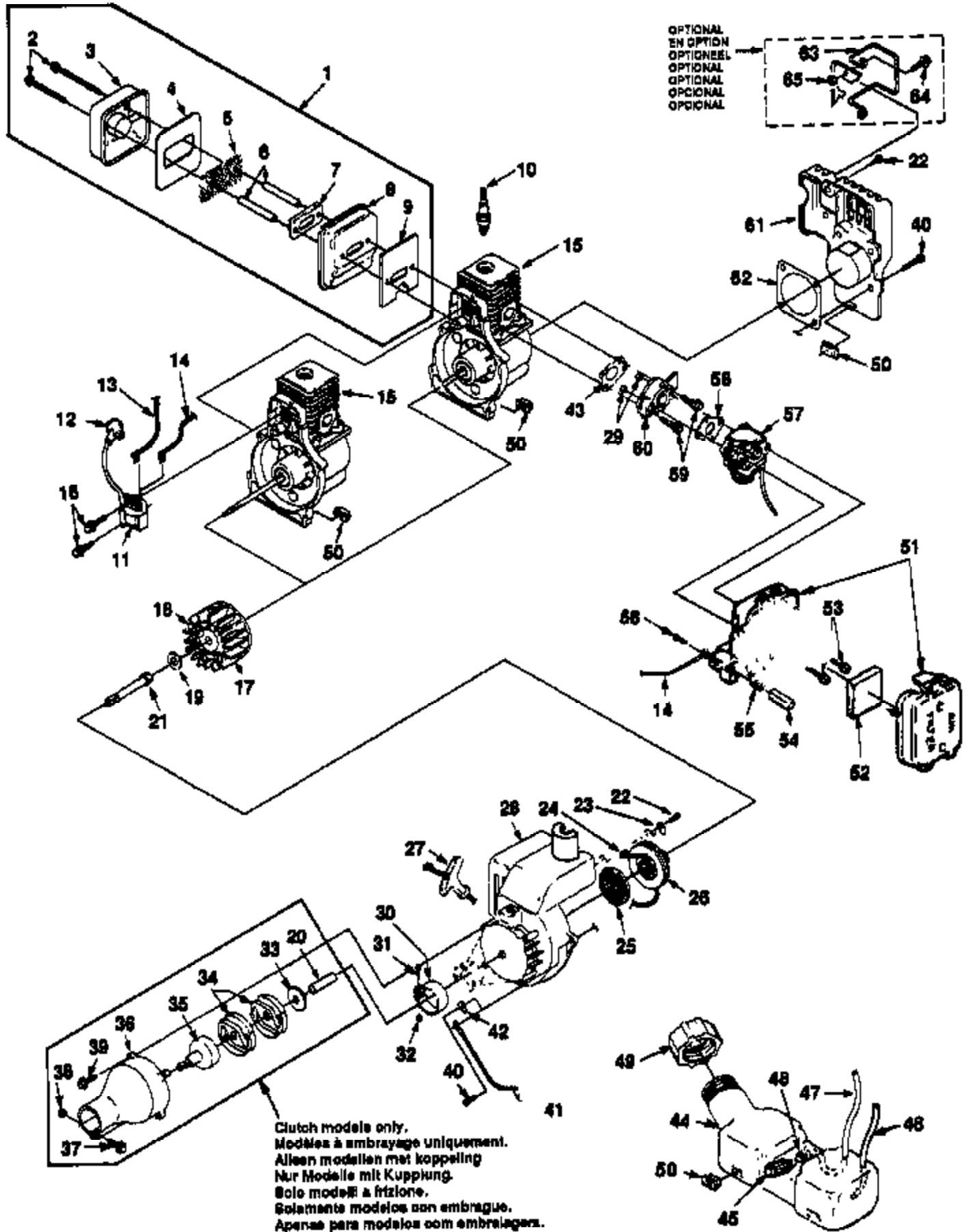
Ref #	Part Number	Qty	Description
1	93992	2	NUT-Wing
2	82368	5	SCREW-Thread Form (#8 X 3/4")
3	83009	1	WASHER-Lock (1/4")
4	98822	1	HANDLE-Front
5	A00879	1	HANDLE GRIP ASSEMBLY
6	98772A	1	TRIGGER
7	DA98912C	1	SPOOL & STRING (Dual Line) (.080 Dia)
8	A03006	1	CABLE-Throttle
9	9801105	1	LINE-Replacement (.080 Dia) (100 Ft.)
10	80295	2	SCREW-Cap Hex Hd (1/4-20 x 2")
11	A04459	1	HOUSING-Driveshaft
12	04458	1	DECAL-Starting Inst
13	04154	1	DECAL-Warning
14	98853	1	CLAMP
15	98816	1	SHAFT-Flexible
16	82541	1	SCREW-Thread Form (#10 x 1/2")
	A01286	1	DEFLECTOR & BLADE KIT (SX-135, ST-155)
17	A03834	1	BLADE-Cut-Off
18	81261	2	NUT-Hex (10-24)
19	82531	2	SCREW-Mach Hex Hd (10-24 X 1")
20	00130	1	DEFLECTOR-Grass
17	A03832	1	BLADE-Cut-Off (ST-175C)
18	81261	2	NUT-Hex (10-24)
19	82531	2	SCREW-Mach Hex Hd (10-24 x 1")
20	02610	1	DEFLECTOR-Grass (ST-175C)
21	A98231A	1	HOUSING & EYELET-Dual Line
22	98848	1	SPRING-Compression
23	84006	1	WASHER-Flat (1/4")
24	A98866A	1	RETAINER-Spool
25	95231	1	PLATE-Indicating (ST-175C)
26	72084A1	1	NUT-Toggle Switch
27	93653	1	TOGGLE SWITCH
28	A03912	1	LEAD-Electrical
29	A98919A	1	LEAD-Ground
30	A03001	1	STRINGHEAD COMP (.080 Dia Line)



Ref #	Part Number	Qty	Description
	A03002		Carburetor Walbro
	A02665		Repair Kit
	A00285A		Gasket/Diaphragm Kit
	A00289		Swivel Kit
	01201		Primer Bulb
	A01200A		Primer Base

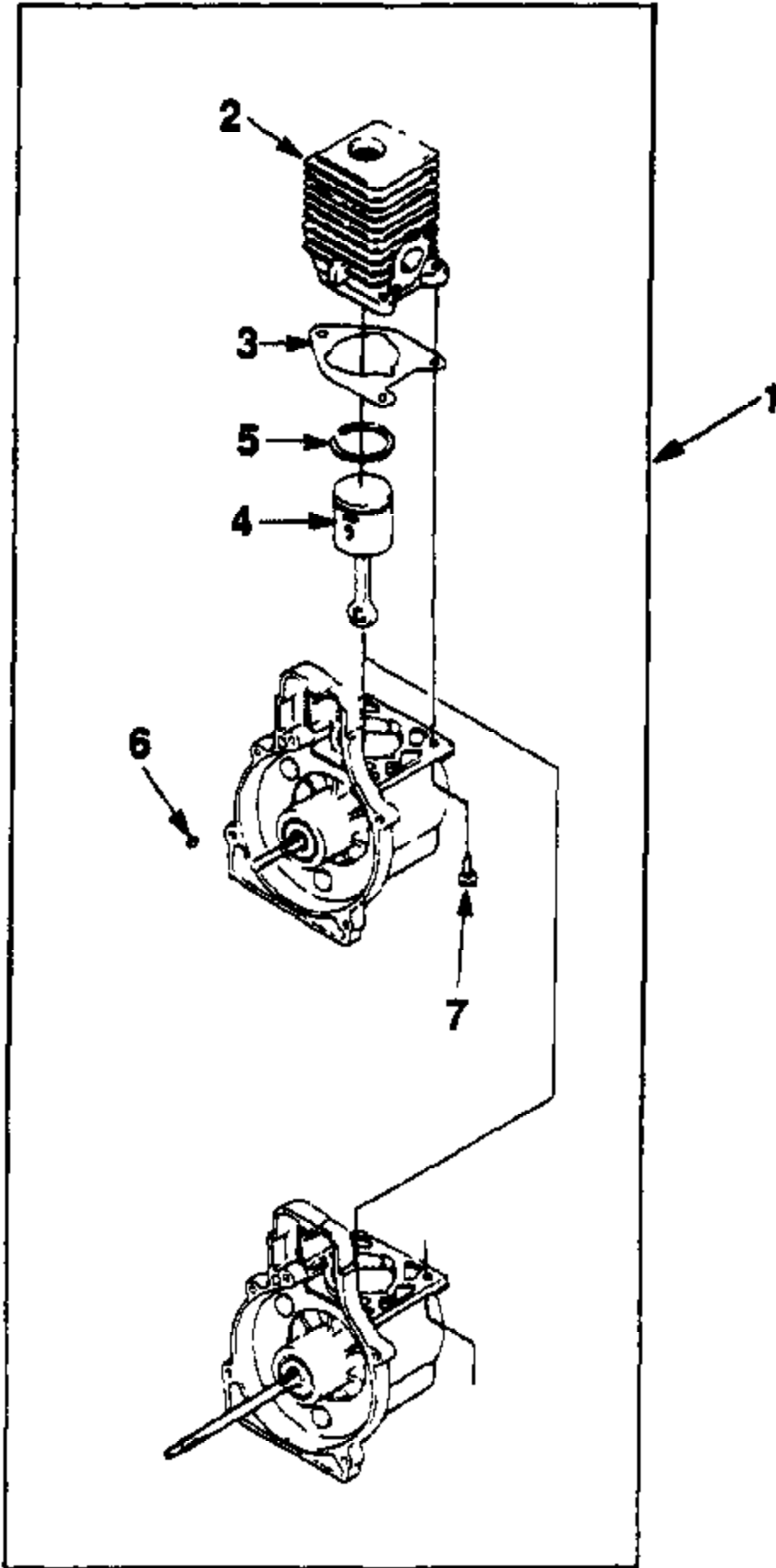


Ref #	Part Number	Qty	Description
	A03003		Carburetor Zama
	A03979		Repair Kit
	A03980		Gasket/Diaphragm Kit
	A01195A		Primer Bulb
	A03062		Primer Base



Ref #	Part Number	Qty	Description
1	A01123	1	MUFFLER-Complete
2	88060	2	SCREW-Sems Hex Hd (10-24 X 2 1/2")
3	A98780	1	COVER-Muffler
4	98782	1	BAFFLE-Muffler
5	98784A	1	SCREEN-Spark
6	98860A	2	SPACER-Muffler
7	98783	1	PLATE-Reinforcing
8	A01323	1	BODY-Muffler
9	98786B	1	GASKET-Muffler
10	79252	1	SPARK PLUG (RDJ7Y)
	96169S	1	SPARK PLUG (DJ7Y) (SX-135 Only)
11	94711CS	1	MODULE-Ignition
12	A33055	1	TERMINAL-Hi Tension
13	A00681	1	LEAD-Electrical (ST-175C, ST-385, HLT-17C, HBC-30, HBC-30B)
14	A98809	1	LEAD-Electrical (ST-155, SX-135)
15		1	SHORT BLOCK (SEE "Short Block" ILLUSTRATION AND PARTS LIST)
16	82540	2	SCREW-Taptite (8-32 X 1")
17	A00856	1	ROTOR KIT (ST-175C, ST-385)
18	A70285E	1	KIT-Starter Pawl
19	95479A	1	WASHER-Flat
20	035662	1	SPACER
17	A00857	1	ROTOR KIT (HLT-17C, HBC-30, HBC-30B)
18	A70285E	1	KIT-Starter Pawl
19	95479A	1	WASHER-Flat
20	035661	1	SPACER
17	A04158	1	ROTOR KIT (ST-155, SX-135)
18	A70285E	1	KIT-Starter Pawl
19	84065	1	WASHER-Flat (5/16") (ST-155, SX-135)
21	98795A	1	CONNECTOR-Drive (ST-155, SX-135)
	A01083A	1	COMPLETE STARTER ASSEMBLY (ST-155, SX-135)
22	82541	4	SCREW-Plastite (#10 X 1/2")
23	98791	1	BRACKET-Retaining
24	9789902	1	ROPE-Starter (42")
25	A98773	1	SPRING & CONTAINER
26	98770	1	PULLEY-Starter
27	02264	1	GRIP-Starter
28	A02575B	1	HOUSING-Engine (ST-155, SX-135)
28	A02576C	1	HOUSING-Engine (ST-175C, ST-385, HLT-17C, HBC-30, HBC-308)
29	81208	2	NUT-Hex (10-24)
30	98802A	1	CLAMP
31	82268	1	SCREW-Hex Sems (10-24 X 3/8")
32	97574	1	NUT-Square
33	98929A	1	WASHER-Clutch (ST-1750, ST-385, HLT-170, HBC-30, HBC-308)
34	00242	2	CLUTCH (ST-1750, ST-385)
34	00242	3	CLUTCH (HLT-170, HBC-30, HBC-308)
35	A02727	1	CONNECTOR & DRUM (ST-1750, ST-385)
	A03485A	1	CONNECTOR & DRUM (HLT-170, HBC-30, HBC-308)
36	A02396A	1	TUBE ADAPTOR (ST-1750, ST-385, HLT-170, HBC-30, HBC-308)
37	88054	1	SCREW-Sems Hex Hd (10-24 X 1 1/4")
38	81208	1	NUT (10-24)

Ref #	Part Number	Qty	Description
39	88052	4	SCREW-Sams Hex Hd (10-24 X 7/8")
40	82538	7	SCREW-Taptite (10-24 X 3/4")
41	A98919A	1	LEAD-Ground
42	02851	1	TERMINAL
43	98765B	1	GASKET-Heat Dam
44	A04447	1	TANK-Fuel
45	49422	1	FILTER-Fuel
46	0143932	1	TUBING-Rubber (8")
47	9477232	1	TUBING-Rubber (8")
48	98268	1	CLAMP-Wire
49	A00982A	1	FUEL CAP
50	98792	3	BUMPER-Rubber
51	A04449	1	AIR FILTER BOX
52	D98760A	1	FILTER-Air
53	04474	2	SCREW- Mach (10-24 X 2 1/4")
54	98769	1	BUTTON-Switch
55	95020	1	SPRING-Compression
56	82513	1	SCREW-Plastite (#6)
57	A04445	1	CARBURETOR KIT
58	98766A	1	GASKET-Carburetor
59	825491	2	SCREW-Taptite (10-24 X 1")
60	98768	1	HEAT DAM
61	A04640	1	CRANKCASE COVER-Flocked
62	98767A	1	GASKET-Crankcase Cover
63	A00254	1	WIRE GUARD KIT
64	88049	2	SCREW-Hex Sems (10-24 X 1/2")
65	81208	2	NUT (10-24)



Ref #	Part Number	Qty	Description
1	A00410A	1	SHORT BLOCK (ST-155, SX-135)
2	A03259	1	CYLINDER & GASKET
3	04388	1	GASKET-Cylinder
4	A04258	1	PISTON & ROD
5	96935	1	RING-Piston
6	69250	1	KEY-Woodruff
7	82568	3	SCREW-Torx Pan Hd (10-24 X 3/4")
	A00408A	1	SHORT BLOCK (ST-175C ST-385)
	A03259	1	CYLINDER & GASKET
	04388	1	GASKET-Cylinder
	A04258	1	PISTON & ROD
	96935	1	RING-Piston
	69250	1	KEY-Woodruff
	82568	3	SCREW-Torx Pan Hd (10-24 X 3/4")
	A00411A	1	SHORT BLOCK (HLT-17C, HBC-30, HBC-30B)
	A03785A	1	CYLINDER & GASKET
	03703A	1	GASKET-Cylinder
	A03599	1	PISTON & ROD
	03179	2	RING-Piston
	69250	1	KEY-Woodruff
	82568	3	SCREW-Torx Pan Hd (10-24 X 3/4")