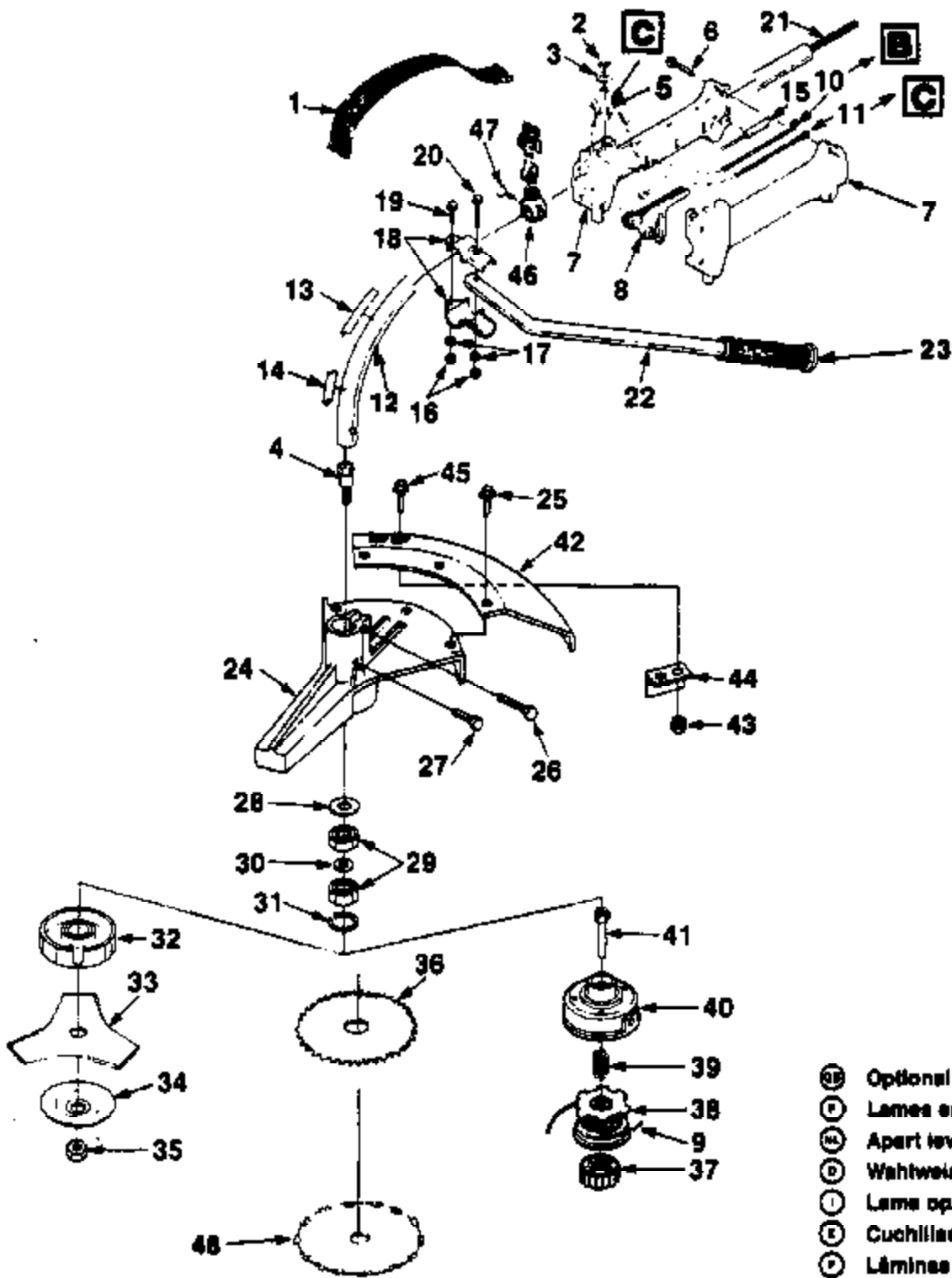


ACCESSORIES
ACCESSOIRES
TOEBEHOREN
ZUBEHÖR
ACCESSORI
ACCESORIOS
ACESSÓRIOS

00063	00063	JA-31316-4
<ul style="list-style-type: none"> 00 Holding tool F Outil de maintien NL Blokkeerpen D Haltewerkzeug I Attrezzo di bloccaggio E Herramienta sujetadora P Acessório de suporte 	<ul style="list-style-type: none"> 00 Ignition Test Spark Plug F Testeur d'allumage NL Bougie voor ontstekingscontrole D Testzündkerze für Zündprüfung I Candela di collaudo E Bujía para probar el encendido P Vela de ensaio de ignição 	
18453	94772-09	
<ul style="list-style-type: none"> 00 Grease, Multi-Purpose F Graisse universelle NL Universeel vet D Mehrzweck-Schmiermittel I Grasso, multiuso E Grasa universal P Lubrificante, para fins múltiplos 	<ul style="list-style-type: none"> 00 Rubber Tubing (10 ft) (3,05 m) F Tubes en caoutchouc (3,05 m) NL Rubber slang (3,05 m) D Gummirohr (3,05 m) I Dotto di gomma (3,05 m) E Tubo de caucho (3,05 m) P Tubo de borracha (3,05 m) 	
17789	86052-A	
<ul style="list-style-type: none"> 00 Carburetor Repair Tool F Outil de réparation de carburateur NL Reparatiegereedschap voor carburateur D Vergaser-Reparaturwerkzeug I Attrezzo di riparazione del carburatore E Herramienta de reparación del carburador P Ferramenta de reparação do carburador 	<ul style="list-style-type: none"> 00 Starter Rope (280 ft Reel) (76 m) F Cordon de lanceur (bobine de 76 m) NL Startkoord (spoel met 76 m) D Starterseil (76 m Spule) I Corda d'avviamento (bobina de 76 m) E Cuerda de arranque (carrete de 76 m) P Cabo do arrancador (rolo de 76 m) 	
23488-C	24982-01	
<ul style="list-style-type: none"> 00 Thread Locking Compound F Produit de blocage de filetage NL Borgmiddel voor schroefdraden D Gewinde-Sicherungsmasse I Composto di bloccaggio della filettatura E Pasta selladora de roscas P Composto de retenção de roscas 	<ul style="list-style-type: none"> 00 Torx Drive Bit T25 F Foret torx NL Torx-drijfbit D Torx-Antriebsbit I Punta Torx Drive E Broca de empuje Torx P Broca accionadora Torx 	
24309	24982-03	
<ul style="list-style-type: none"> 00 Shim (.125") (3,17 mm) F Cale (3,17 mm) NL Afstandsbus (3,17 mm) D Distanzscheibe (3,17 mm) I Spessore (3,17 mm) E Suplemento (3,17 mm) P Calço (3,17 mm) 	<ul style="list-style-type: none"> 00 Torx Bit (for clutch drum) T25 F Foret torx (pour tambour d'embrayage) NL Torx drijfbit (voor koppelingstrommel) D Torx-Antriebsbit (für Kupplungstrommel) I Punta Torx Drive (per il tamburo della frizione) E Broca de empuje Torx (tambor del embrague) P Broca Torx (para o tambor da embreagem) 	
A-04191		
<ul style="list-style-type: none"> 00 Grass Anti Wrap Kit F Nécessaire anti-enroulement d'herbe NL Apparatuur om te voorkomen dat gras zich rond de aandrijf/as wikkelt D Graerückhalter I Kit antilavvolgimento d'erba E Dispositivo contra la acumulación de pasto P Dispositivo contra a acumulação de relva 		

Ref #	Part Number	Qty	Description
00063	00063	1	Holding tool
18453	18453	1	Grease, Multi-Purpose
17789	17789	1	Carburetor Repair Tool
23488C	23488C	1	Thread Locking Compound
24306	24306	1	Shim (.125") (3.17 mm)
A-04191	A04191	1	Grass Anti Wrap Kit ST-145, ST-155, ST-175, ST-175C, ST-175BC, HGT, GST
JA313164	JA313164	1	Ignition Test Spark Plug
9477299	9477299	1	Rubber Tubing (10 ft.) (3.05 m)
98052-A	98052A	1	Starter Rope (250 ft. Reel) (76 m)
2498201	2498201	1	Torx Drive Bit T25
24982-03	2498203	1	Torx Bit (for clutch drum) T25



Ref #	Part Number	Qty	Description
1	DA92703B	1	HARNESS w/CONNECTOR
2	72084A1	1	NUT
3	95231	1	PLATE- Indicating
4	98834A	1	SHAFT- Spindle
5	93653	1	SWITCH- Toggle
6	82368	4	SCREW- Plastite (#8 x 3/4")
7	A00879	1	HANDLE GRIP ASSEMBLY
8	98772A	1	TRIGGER
9	DA97952B	1	LINE- Replacement (.080 Dia.) (100 Ft.)
10	A98918	1	LEAD- Electrical
11	A98919	1	LEAD- Ground
12	A00112C	1	HOUSING- Driveshaft
13	989241	1	DECAL- Starting Instructions
14	02985	1	DECAL- Warning
15	A03006	1	CABLE- Throttle
16	81267	2	NUT (1/4-20)
17	83061	2	WASHER (1/4")
18	00422	2	CLAMP- Handle bar
19	88078	1	SCREW (1/4-20 x 1")
20	88071	1	SCREW (1/4-20 x 1 1/2")
21	98818	1	SHAFT- Flexible
22	A97709A	1	HANDLE BAR
23	94474B	1	GRIP
24	987321B	1	HOUSING- Lower bearing
25	806813	3	SCREW (1/4-20 x 1/2")
26	88078	1	SCREW (1/4-20 x 1")
27	80869	1	SCREW (10-24 x 1/2")
28	98838	1	WASHER- Thrust
29	98798	2	BEARING- Ball
30	98839	1	SPACER- Bearing
31	98799	1	RING- Retaining
32	988351A	1	WASHER- Flange
33	D98717A	1	BLADE- Tri-Arc (8")
34	98836	1	WASHER- Cupped
35	81282	1	NUT- Hex locking (R.H.)
36	D98935A	1	BLADE- Saw (8") (optional)
37	A98866A	1	RETAINER- Spool (R.H. Thread)
38	DA98912B	1	SPOOL & STRING (Dual Line)
39	98848	1	SPRING- Compression
40	A98231A	1	HOUSING & EYELET (Dual Line)
41	98849	1	CONNECTOR- Drive
42	988451	1	DEFLECTOR- Grass
43	81208	2	NUT (10-32)
44	98858	1	BLADE- Cut-off
45	80869	2	SCREW (10-32 x 3/8")
46	A94442	1	BRACKET- Hanger
47	82260	1	SCREW- Thumb (10-24 x 1/2")
48	DA00714A	1	BLADE- Saw 7" "Machete" (optional)

EN CARBURETOR
FR CARBURATEUR
DE CARBURATEUR
IT VERGASER
ES CARBURATORE
PT CARBURADOR
RU CARBURADOR

- EN ZAMA A-03003**
- FR Repair Kit A-03978**
- FR** Jeu de réparation
- DE** Reparatieset
- DE** Reparatursatz
- IT** Kit per riparazioni
- ES** Juego de reparación
- PT** Jogo de reparação

- EN Gasket/Diaphragm Kit A-03980**
- FR** Jeu joint/diaphragme
- DE** Packring/membraan set
- DE** Dichtung/Membrane-Satz
- IT** Kit diaframma/guarnizione
- ES** Conjunto junta/diafragma
- PT** Jogo de juntas vedantes/diafragmas

- EN Primer Bulb A-01185-A**
- FR** Bouton d'amorçage
- DE** Voorinspuilpomp
- DE** Vorpumpe
- IT** Cicchetto
- ES** Bulbo cebador
- PT** Bolha da unidade de escorvagem

- EN Primer Base* (Aluminum) A-01184**
- EN Primer Base* (Plastic) A-03062**
- FR** Base d'amorçage* (aluminium)
- FR** Base d'amorçage* (plastique)
- DE** Voorinspuit-sokkel* (aluminium)
- DE** Voorinspuit-sokkel* (plastic)
- DE** Vorpumpen-Sockel* (Aluminium)
- DE** Vorpumpen-Sockel* (Plastik)
- IT** Base del cicchetto* (alluminio)
- IT** Base del cicchetto* (plastica)
- ES** Base de cebador* (aluminio)
- ES** Base de cebador* (plástico)
- PT** Base da unidade de escorvagem* (Alumínio)
- PT** Base da unidade de escorvagem* (Plástico)

- EN** *Primer Base kits are not interchangeable.
- FR** *Les jeux de base d'amorçage ne sont pas interchangeables.
- DE** *Sokkel-satz voor voorinspuiten zijn niet verwisselbaar.
- DE** *Sockelsätze für die Vorpumpe sind nicht austauschbar.
- IT** *I kit della base del cicchetto non sono intercambiabili.
- ES** *Los juegos de base de cebador no son intercambiables.
- PT** *Os jogos de base da unidade de escorvagem não são intercambiáveis.

- EN Swivel Kit A-00289**
- FR** Jeu de pivots
- DE** Zwenkset
- DE** Drehzapfen-Satz
- IT** Serie di ingranaggi giravoli
- ES** Juego de enganche giratorio
- PT** Jogo de rótula

- EN WALBRO A-03002**
- FR** Repair Kit A-02665
- FR** Jeu de réparation
- DE** Reparatieset
- DE** Reparatursatz
- IT** Kit di riparazione
- ES** Juego de reparación
- PT** Jogo de reparação

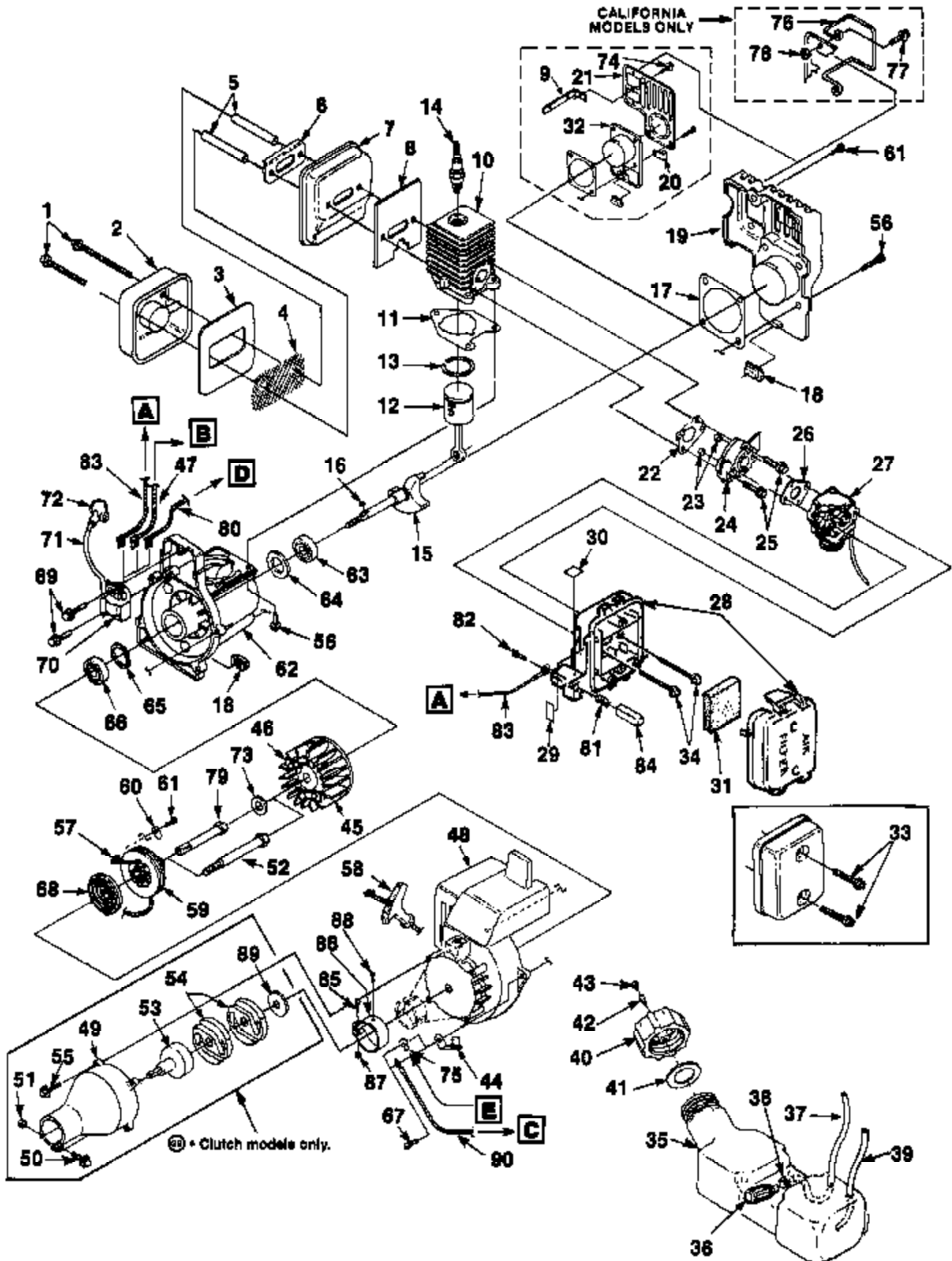
- EN Gasket/Diaphragm Kit A-00285-A**
- FR** Jeu joint/diaphragme
- DE** Packring/membraan set
- DE** Dichtung/Membrane-Satz
- IT** Kit diaframma/guarnizione
- ES** Conjunto junta/diafragma
- PT** Jogo de juntas vedantes/diafragmas

- EN Swivel Kit A-00289**
- FR** Jeu de pivots
- DE** Zwenkset
- DE** Drehzapfen-Satz
- IT** Serie di ingranaggi giravoli
- ES** Juego de enganche giratorio
- PT** Jogo de rótula

- EN Primer Bulb 01201**
- FR** Bouton d'amorçage
- DE** Voorinspuilpomp
- DE** Vorpumpe
- IT** Cicchetto
- ES** Bulbo cebador
- PT** Bolha da unidade de escorvagem

- EN Primer Base* A-01200-A**
- FR** Base d'amorçage*
- DE** Voorinspuit-sokkel*
- DE** Vorpumpen-Sockel*
- IT** Base del cicchetto*
- ES** Base de cebador*
- PT** Base da unidade de escorvagem*

Ref #	Part Number	Qty	Description
A-03003	A03003	1	ZAMA
A-03979	A03979	1	Repair Kit
A-03980	A03980	1	Gasket/Diaphragm Kit
A-01195-A	A01195A	1	Primer Bulb
A-01194	A01194	1	Primer Base (Aluminum) Primer Base kits are not interchangeable.
A-03062	A03062	1	Primer Base (Plastic) Primer Base kits are not interchangeable.
A-00289	A00289	1	Swivel Kit
A-03002	A03002	1	WALBRO
A-02665	A02665	1	Repair Kit
A00285A	A00285A	1	Gasket/Diaphragm Kit
A-00289	A00289	1	Swivel Kit
01201	01201	1	Primer Bulb
A-01200-A	A01200A	1	Primer Base



Ref #	Part Number	Qty	Description
1	88060	2	SCREW- (10-24 x 2 1/2")
2	A98780	1	COVER- Muffler
3	98782	1	BAFFLE- Muffler
4	98784A	1	SCREEN- Spark
5	98860A	2	SPACER- Muffler
6	98783	1	PLATE- Reinforcing
7	A01323	1	BODY- Muffler
8	98786B	1	GASKET- Muffler
9	00179	1	BRACKET-
10	A00108	1	CYLINDER
11	03703A	1	CYLINDER- Gasket
12	A01036A	1	PISTON & ROD ASSEMBLY
13	96935	1	RING- Piston
14	96169S	1	SPARK PLUG (DJ7Y)
	79252	1	SPARK PLUG (RDJ7Y) (Int'l)
15	987582	1	CRANKSHAFT (Model 145 & 155)
	987583	1	CRANKSHAFT (Models 175,175C,175BC,185,185C,285,275,285BC,385,385C,
16	69250	1	KEY- Woodruff
17	98767A	1	GASKET- Crankcase cover
18	98792	3	BUMPER- Rubber
19	01023B	1	COVER- Crankcase
20	98752	1	CLAMP
21	98934	1	SHIELD
22	98765B	1	GASKET- Heat dam
23	81208	2	NUT (10-24)
24	98768	1	HEAT DAM
25	825491	2	SCREW- Taptite (10-24 x 1")
26	98766A	1	GASKET- Carburetor
27	A03003	1	CARBURETOR- (Zama)
	A03002	1	CARBURETOR- (Walbro)
28	A01440A	1	AIR FILTER BOX
29	00772	1	DECAL- Choke, Run
30	98943	1	DECAL- Push-Hold
31	D98760A	1	FILTER- Air
32	98754B	1	COVER- Crankcase
33	82368	2	SCREW- Plastite (8 x 3/4")
34	82542	2	SCREW (10-24 x 2 1/4")
35	A01441	1	TANK- Fuel
36	49422	1	FILTER- Fuel
37	9477232	1	TUBING- Rubber (8")
38	98268	1	WIRE CLAMP
39	0143932	1	TUBING- Rubber (8")
40	A00982A	1	FUEL CAP ASSEMBLY
41	98805A	1	GASKET- Fuel cap
42	03134	1	VALVE- Duckbill
43	98913	1	FILTER-Cap
44	A98808	1	BRACKET-Cable
45	A95007	1	ROTOR
46	A70285E	1	KIT- Starter pawl
47	A98918	1	LEAD- Electrical (Models 175BC,185,185C,285BC,385-UT-15040&UT10540-A,
48	A02576B	1	HOUSING- Engine (Clutch Models Only)
	A02575	1	HOUSING- Engine (Non-Clutch Models)
49	A02396A	1	TUBE ADAPTOR
50	88054	1	SCREW (10-24 x 1 1/4")
51	81208	1	NUT(10-24)

Ref #	Part Number	Qty	Description
52	01547	1	ADAPTOR- Clutch (Clutch Models Only)
53	A02727	1	CONNECTOR & DRUM
54	00242	2	CLUTCH
55	88052	4	SCREW (10-24 x 7/8")
56	82538	3	SCREW (10-24 x 3/4")
57	9789902	1	ROPE- Starter (42")
58	02264	1	GRIP- Starter
59	98770	1	PULLEY- Starter
60	98791	1	BRACKET- Retaining
61	82541	2	SCREW- Plastite (10 x 1/2")
62	A00107A	1	CRANKCASE ASSEMBLY
63	98797	1	BEARING- Ball
64	98800	1	SEAL
65	98799	1	RING- Retaining
66	98798	1	BALL- Bearing
67	82538	5	SCREW- Taptite (10-24 x 3/4")
68	A98773	1	SPRING & CONTAINER
69	82540	2	SCREW- Taptite (8-32 x 1")
70	94711CS	1	MODULE- Ignition
71	69326	1	LEAD- High-Tension
72	A33055	1	TERMINAL- High-Tension
73	84065	1	WASHER- Flat (5/16") (Non-Clutch Models)
74	88077	1	SCREW- Hex sems (10-24 x 3/8")
75	02851	1	TERMINAL (Models 385--UT15040B, UT15040C, & UT15040D) (Model 485)
76	A00254	1	WIRE GUARD KIT (California Models Only)
77	88049	2	SCREW- Hex sems (10-24 x 1/2")
78	81208	2	NUT- (10-24)
79	98795A	1	CONNECTOR- Drive (Non Clutch Models)
80	A00681	1	LEAD- Electrical (Model 385--UT15040B, UT15040C, UT15040D & Model 485)
81	95020	1	SPRING- Compression
82	82513	1	SCREW- Thread Forming
83	A98809	1	LEAD- Electrical (Models 145, 155, 175, 175C, 285, HGT & GST)
84	98769	1	BUTTON- Switch
85	82268	1	SCREW- Hex sems (10-24 x 3/8")
86	98802A	1	CLAMP
87	97574	1	NUT- Square
88	82455	1	SCREW
89	98929A	1	WASHER- Clutch
90	A98919	1	LEAD- Ground (Models 185 & 385--UT15040 & UT15040A)