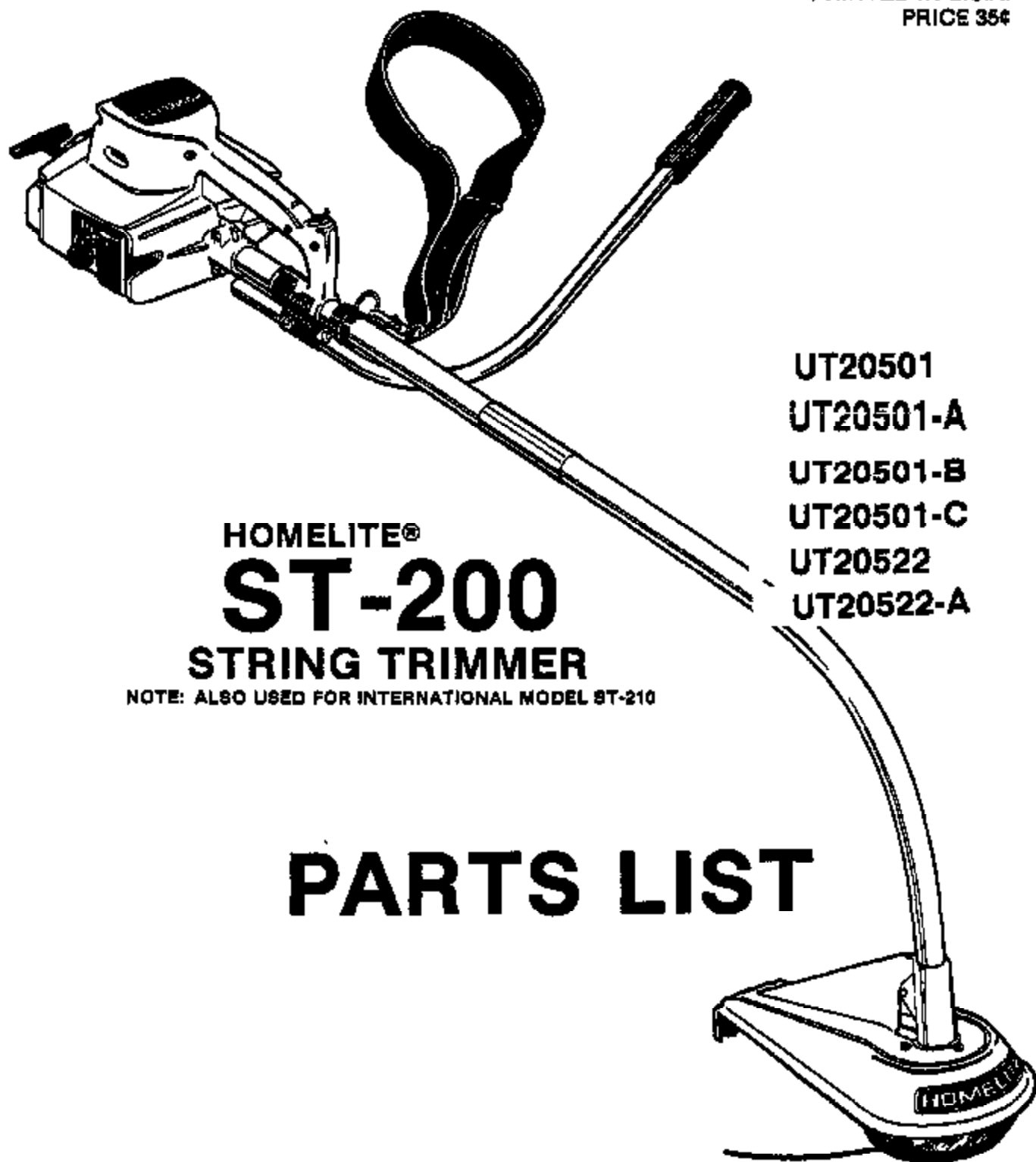


**PART NO. 17435-A**  
**PRINTED IN U.S.A.**  
**PRICE 35¢**



**HOMELITE®**  
**ST-200**  
**STRING TRIMMER**

**NOTE: ALSO USED FOR INTERNATIONAL MODEL ST-210**

**UT20501**  
**UT20501-A**  
**UT20501-B**  
**UT20501-C**  
**UT20522**  
**UT20522-A**

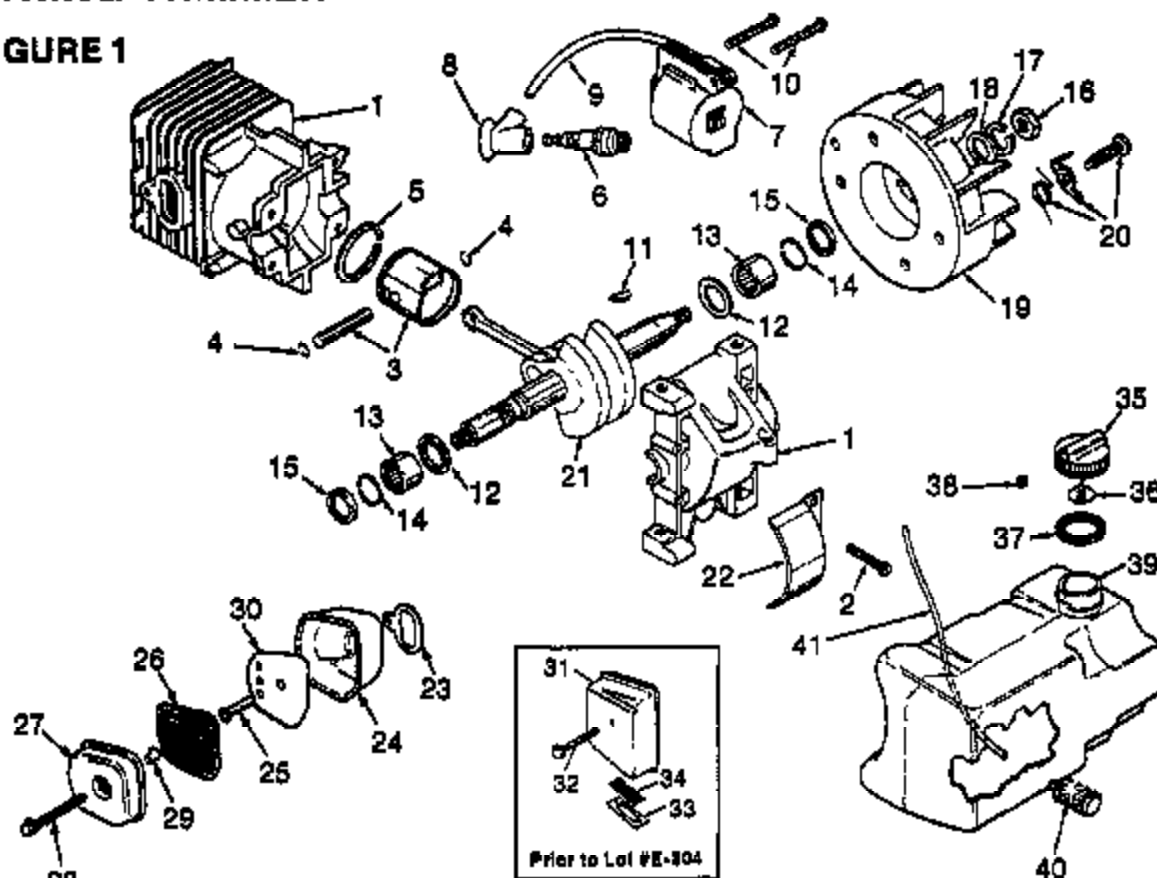
# **PARTS LIST**

**HOMELITE** **TEXTRON**

Homelite Division of Textron Inc.

# ST-200 STRING TRIMMER

FIGURE 1



NO.	DESCRIPTION	PART NO.	QTY.	NO.	DESCRIPTION	PART NO.	QTY.
1	CYLINDER & CRANKCASE Includes:	A-97817-1	1	23	GASKET- Muffler MUFFLER Assembly (Complete) (After Lot #E-304)	93801 A-97621	1
2	SCREW	86044	4				
3	PISTON & PIN ASSEMBLY Includes:	A-70224-A	1	24	BODY- Muffler	93986	1
4	RING- Piston retaining	69281	2	25	SPACER- Muffler	93990	1
5	PISTON RING (Primary source)	70208	1	26	SCREEN- Spark	93991	1
	PISTON RING (Alternate source)	99186	1	27	CAP- Muffler	97894	1
6	PLUG- Spark	89616-S	1	28	SCREW	93480	1
7	MODULE- Ignition Includes:	94711	1	29	SPACER- Muffler	93989	1
8	TERMINAL- Hi-tension	A-39055	1	30	BAFFLE- Muffler	48161	1
9	LEAD- High tension	89328	1	31	MUFFLER- (Prior to Lot #E-304)	A-94419-1	1
10	SCREW- Hex 4-32 x 3/4	82248	2	32	SCREW- 10-24 x 1 3/4 hex same (Prior to Lot #E-304)	80056	1
11	KEY- Woodruff	89250	1	33	SPARK ARRESTOR (Prior to Lot #E-304)	A-94478	1
12	WASHER- Thrust	95492	2	34	SCREEN- Spark (Prior to Lot #E-304)	94484	1
13	NEEDLE- Bearing	12630	2		SCREW (Purchased locally)		2
14	SPACER- Seal	68514	2	35	CAP- Fuel	A-94486	1
15	SEAL	94639	2		Includes:		
16	NUT- Rotor	81117	1	36	VALVE- Check	94531-1	1
17	WASHER- Lock	83002	1	37	GASKET- Fuel cap	94484	1
18	WASHER	84065	1	38	FILTER- Fuel cap	89454	1
19	ROTOR & STARTER PAWL Includes:	A-95007	1	39	TANK- Fuel	A-94482-C	1
20	STARTER PAWL KIT	A-70285-D	1		Includes:		
21	CRANKSHAFT	A-94962	1	40	FILTER- Fuel	95639	1
22	SHROUD	94458	1	41	TUBING- Rubber (fuel line) 7 1/2"	70310-30	1

2

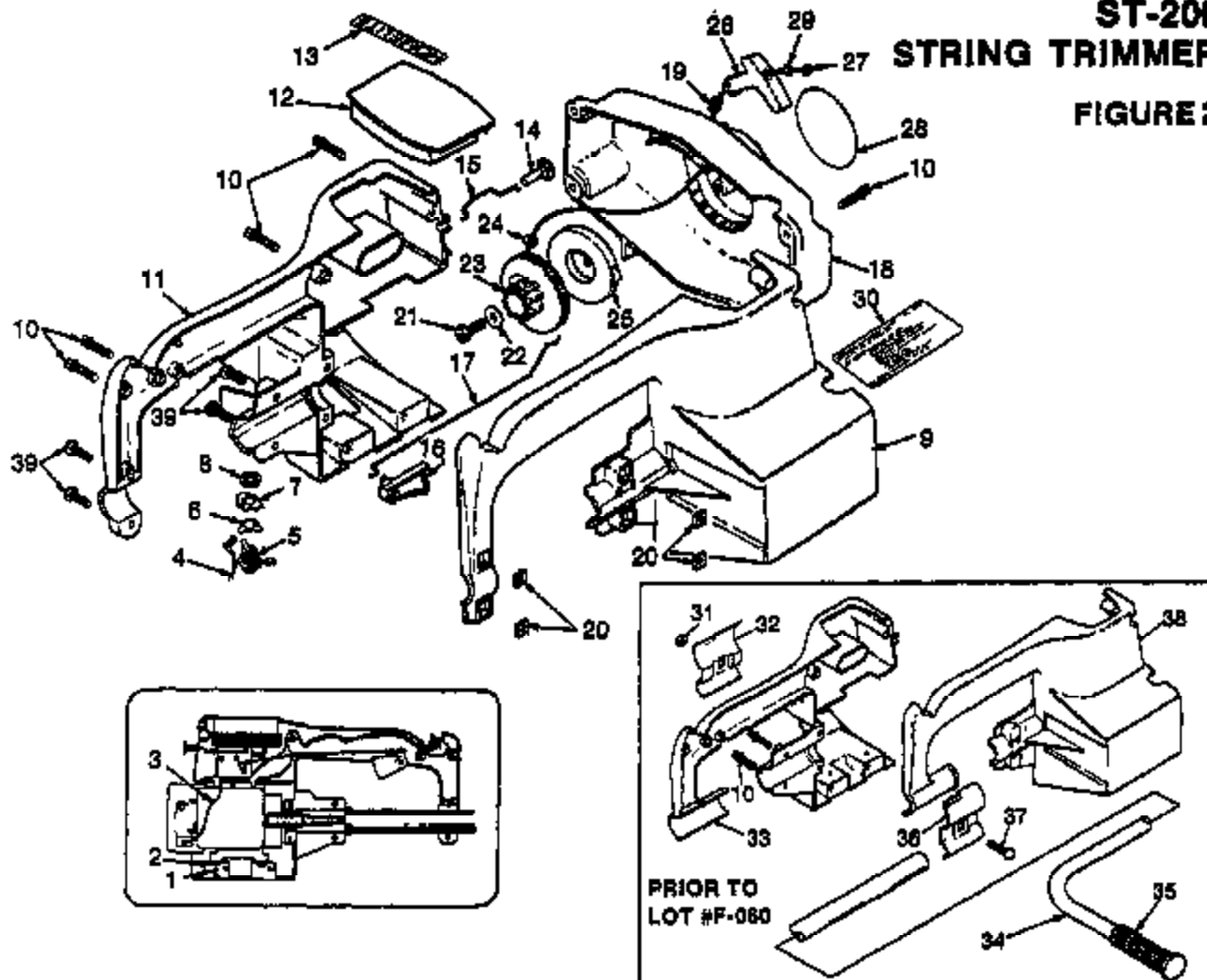
ALWAYS FURNISH MODEL AND SERIAL NUMBER WHEN ORDERING PARTS

©1984, Textron Inc.

[Order ST-200 Parts on eBay](#)

# ST-200 STRING TRIMMER

FIGURE 2



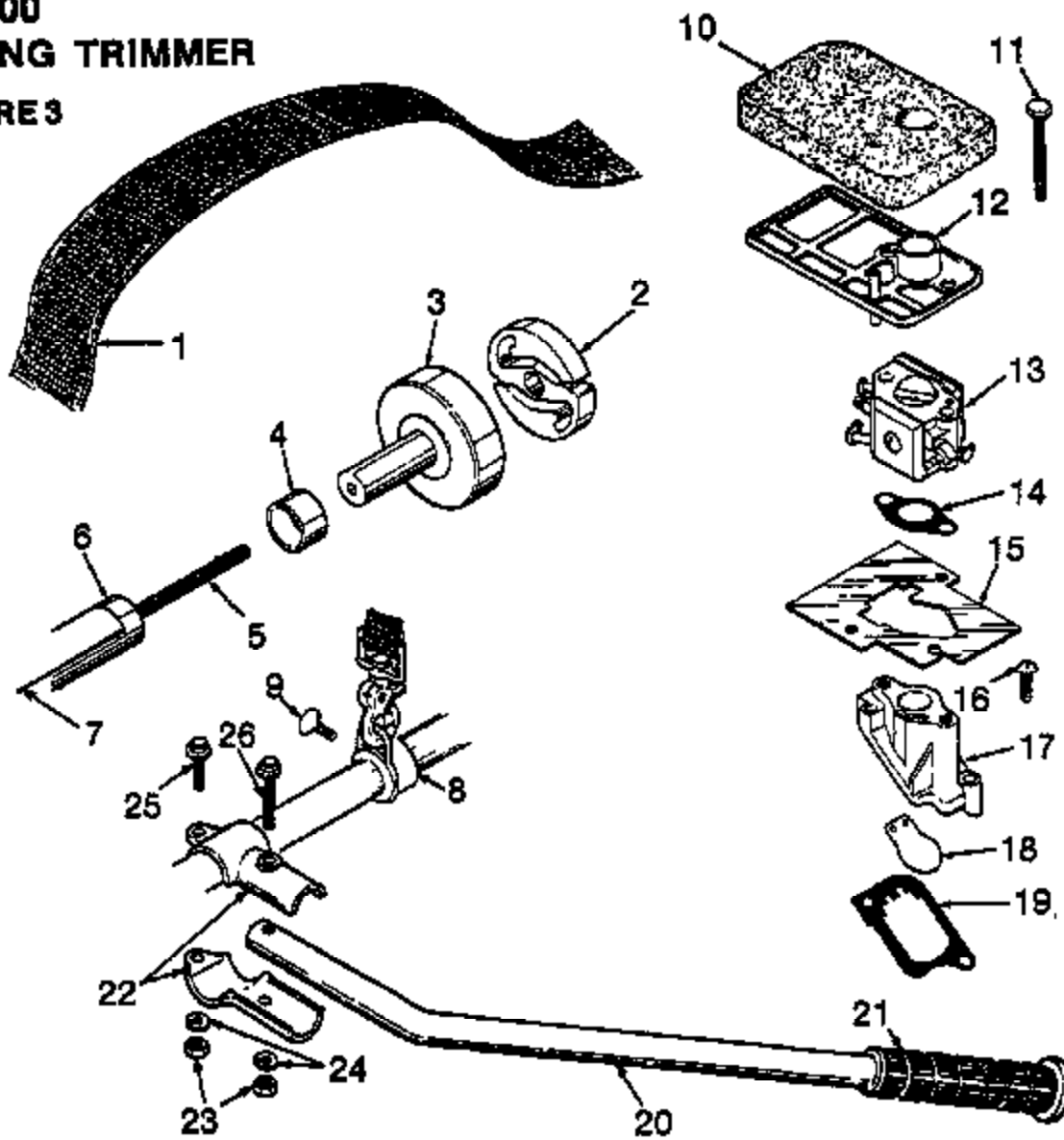
NO.	DESCRIPTION	PART NO.	QTY.
1	SCREW- Torx	99997	4
2	WASHER	99984	4
3	LEAD- Electrical	A-94472	1
4	LEAD- Ground	A-94448	1
5	SWITCH- Toggle	93953	1
6	WASHER- Grounding	95611-A	1
7	PLATE- Indicating	96231	1
8	NUT	72084-A1	1
9	HOUSING- Engine (Left) (After lot #F-060)	97670	1
10	SCREW	62388	12
11	HOUSING- Engine (Right) (After Lot #F-060)	97589	1
12	COVER- Filter Includes:	A-94489	1
13	DECAL	78290	1
14	BUTTON- Choke	94461	1
16	ROD- Choke	97817	1
18	TRIGGER	94462	1
17	ROD- Throttle	94435-A	1
18	HOUSING- Starter Includes:	A-94477-B	1
19	BUSHING- Starter housing	A-97796	1
20	NUT (After Lot #F-060)	97574	12

NO.	DESCRIPTION	PART NO.	QTY.
21	SCREW	70771	1
22	WASHER	94082	1
23	PULLEY- Starter	89169-A	1
24	WASHER- Flat	93882	1
25	SPRING- Rewind	A-99999-B	1
26	GRIP- Starter	70211	1
27	ROPE- Starter #4 34" long	95948-1	1
28	DECAL (ST-200)	94407	1
29	WASHER- Flat	84025	1
30	DECAL- Starter instruction	96573	1
31	NUT- Hex 5/16-18 (Prior to Lot #F-060)	81196	1
32	CLAMP- Right (prior to Lot #F-060)	84426	1
33	HOUSING- Engine (Right) (Prior to Lot #F-060)	94448	1
34	HANDLE BAR (Prior to Lot #F-060) Includes: GRIP- Handle (Prior to Lot #F-060)	A-94467-A	1
35		94474	1
36	CLAMP- Left (Prior to Lot #F-060)	94424	1
37	BOLT- Rd. Hd. 5/16 x 1 1/4 (Prior to Lot F-060)	62380	1
38	HOUSING- Engine (Left) (Prior to Lot #F-060)	94447-A	1
39	SCREW- (10-32 x 3/4 Hex Hd.)	82220	4

ALWAYS FURNISH MODEL AND SERIAL NUMBER WHEN ORDERING PARTS.

[Order ST-200 Parts on eBay](#)

**ST-200  
STRING TRIMMER  
FIGURE 3**

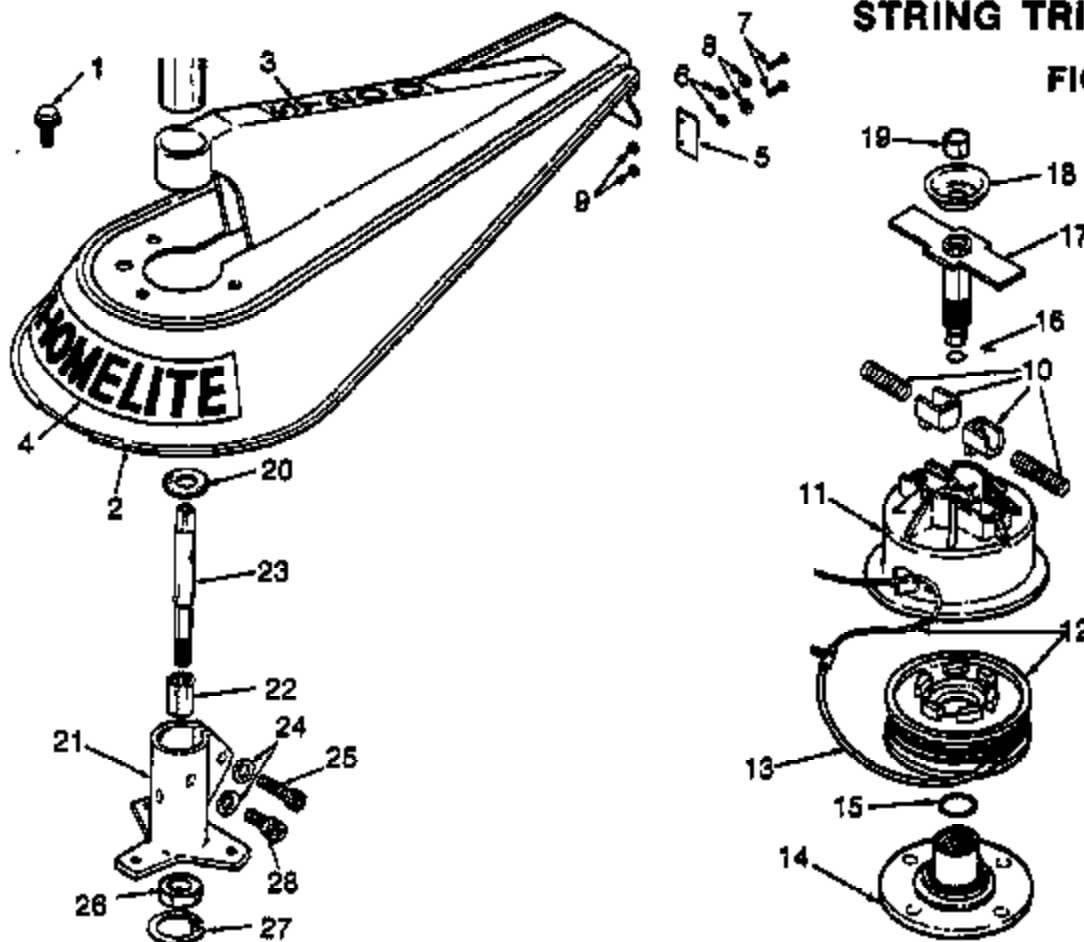


NO.	DESCRIPTION	PART NO.	QTY.	NO.	DESCRIPTION	PART NO.	QTY.
1	HARNESB	DA-92703	1	12	SUPPORT- Air filter	94457	1
2	CLUTCH	A-70351-A	1	13	CARBURETOR	A-97601	1
3	DRUM & CONNECTOR	A-97241	1	14	GASKET- Carburetor	93506-B	1
4	BEARING- Sleeve (After Lot #E-077) BEARING- Sleeve (Prior to Lot #E-077)	87240	1	15	BAFFLE- Air	94403-B	1
5	SHAFT- Flexible	94437	1	16	SCREW- Pan hd.	93934	2
8	HOUSING- Shaft	94408-A	1	17	SPACER- Carburetor	94454-A	1
7	DECAL- Warning	A-99205-A	1	18	REED	95983	1
8	HANGER	94471	1	19	GASKET	93884-A	1
9	SCREW- Thumb 10-24 x 1/2	A-94442	1	20	HANDLE BAR (After Lot #F-060)	A-97709	1
10	FILTER- Air	82260	1		Includes:		
11	SCREW- Hex 10-24 x 1 3/4	94455	1	21	GRIP- Handle bar	94474	1
		86056	2	22	CLAMP- Handle bar (After Lot #F-060)	97840-1	2
				23	NUT- (After Lot #F-060)	81267	2
				24	WASHER (After Lot #F-060)	83061	2
				25	SCREW (After Lot #F-060)	68071	1
				26	SCREW (After Lot #F-060)	82486	1

[Order ST-200 Parts on eBay](#)

# ST-200 STRING TRIMMER

FIGURE 4



NO.	DESCRIPTION	PART NO.	QTY.	NO.	DESCRIPTION	PART NO.	QTY.
1	SCREW- 10-24 x 1/2	86049	3	12	SPOOL & STRING (After Lot #F-060)	DA-87728	1
2	COVER- String Head	A-84475-C	1		SPOOL & STRING (Prior to Lot #F-060)	DA-83954-B	1
3	DECAL (ST-200)	98488	1		Includes:		
4	DECAL- Homelite	98510	1	13	TUBE- Weld-not	A-96518	1
5	BLADE (After Lot #E-041)	97169	1	14	RETAINER- Spool	A-84829	1
6	WASHER- Lock (After Lot #E-041)	83004	2		Includes:		
7	SCREW (After Lot #E-041)	80830	2	15	"O" RING	58093	1
8	FLAT WASHER (After Lot #E-041)	84018	2	16	"O" RING	84150	1
9	NUT (After Lot #E-041)	81002	2	17	CONNECTOR- Drive	A-84434	1
	KIT- Blade (not shown) (Prior to Lot #E-041)	A-96889	1	18	SHIELD- Grass	84409	1
10	KIT- Slide & spring (After Lot #F-060)	A-97582	1	19	SPACER- Bearing	84411	1
	KIT- Slide & Spring (Prior to Lot #F-060)	A-96889-A	1	20	SEAL- Felt	80978	1
	Includes:			21	HOUSING- Lower head	A-85800-C	1
	SPRING- Hi speed				Includes:		
	SLIDE- Hi speed			22	BEARING- Needle	88835	1
	SLIDE- Low speed			23	SHAFT- Drive	84408	1
	SPRING- Low speed			24	WASHER- Flat (1/4)	84020	2
11	HEAD- String (After Lot #F-060)	A-96360-1A	1	25	SCREW- Hex soo cap (1/4-20 x 1")	80428-1	1
	HEAD- String (Prior to Lot #F-060)	A-84233-2	1	26	BEARING- Ball	84421	1
				27	RING- Retaining	84412	1
				28	SCREW	82418	1

ALWAYS FURNISH MODEL AND SERIAL NUMBER WHEN ORDERING PARTS

[Order ST-200 Parts on eBay](https://www.ebay.com)

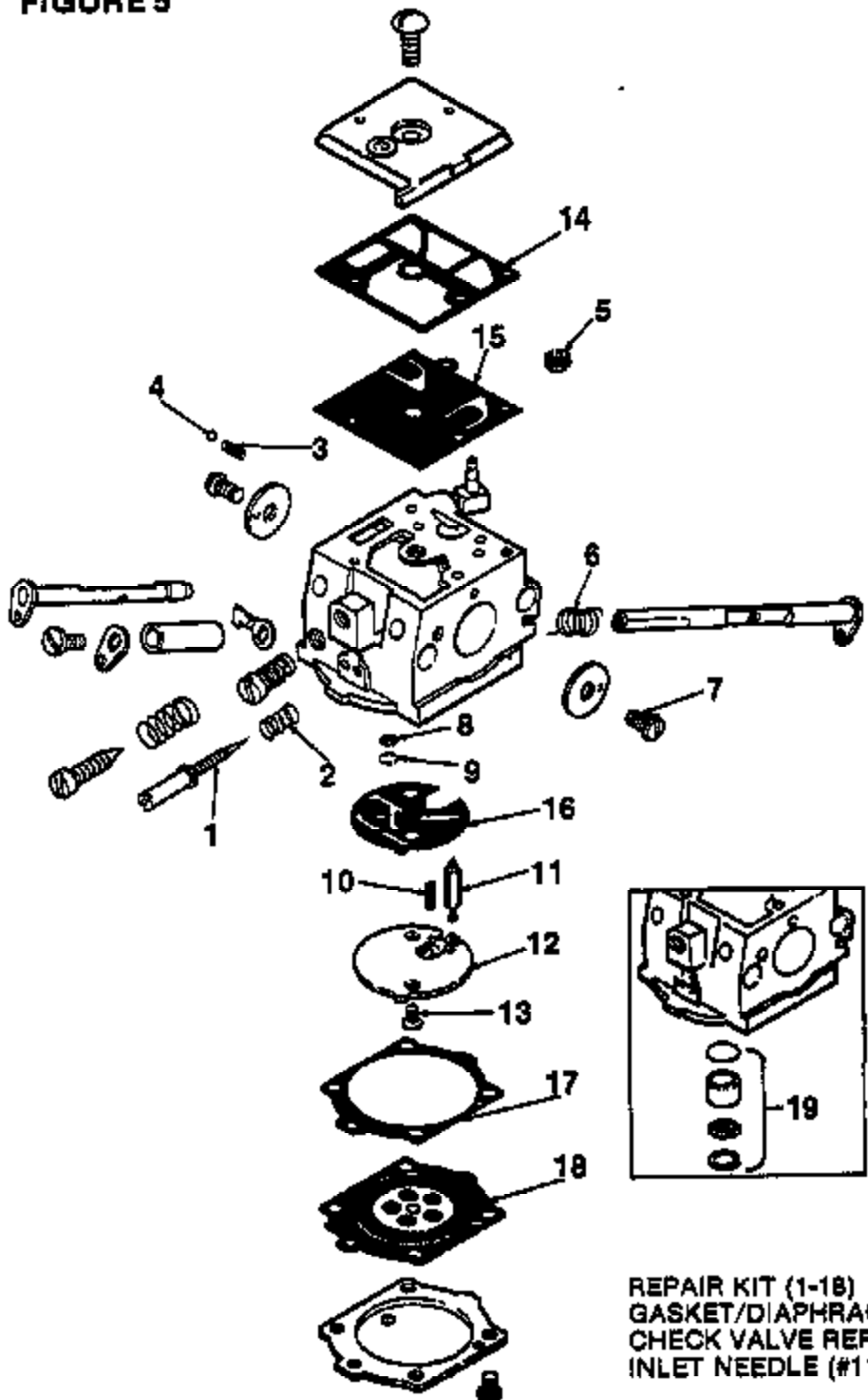
# ST-200 STRING TRIMMER

## FIGURE 5

# CARBURETOR

(HDC-69B)

A-97601

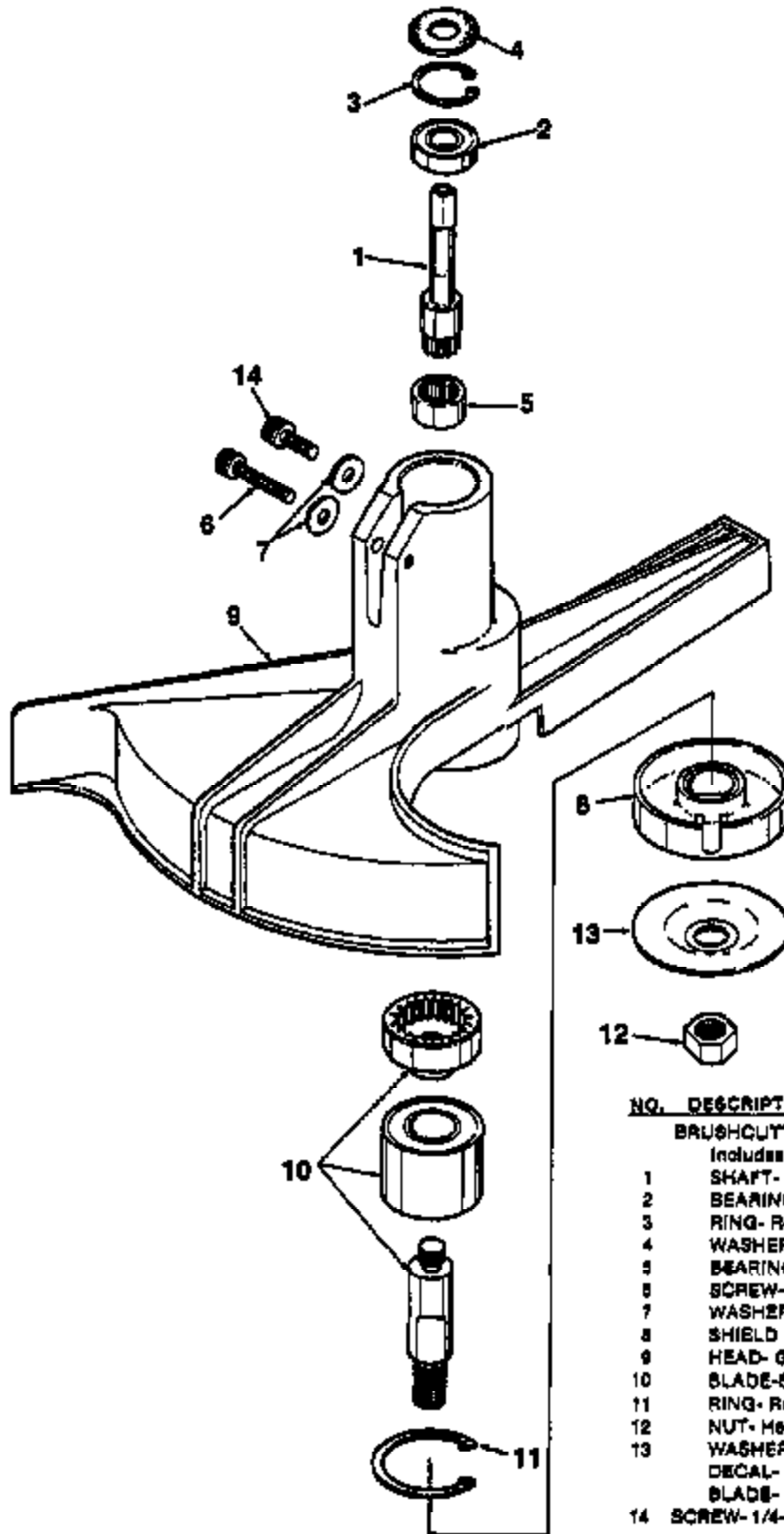


REPAIR KIT (1-18)  
 GASKET/DIAPHRAGM KIT (14-18)  
 CHECK VALVE REPAIR KIT (#19)  
 INLET NEEDLE (#11)

97138  
 94701  
 93910-A  
 64229

# ST-200 STRING TRIMMER

FIGURE 6



NO.	DESCRIPTION	PART NO.	QTY.
	<b>BRUSHCUTTER KIT</b>	<b>A-94479-C</b>	<b>1</b>
	Includes:		
1	SHAFT- Pinion	A-94468	1
2	BEARING- Ball (see note)	94421	1
3	RING- Retaining	94412	1
4	WASHER- Full	96978	1
5	BEARING- Roller	99482	1
6	SCREW- 1/4-20 x 1	80428-1	1
7	WASHER- Flat	84020	2
8	SHIELD	94433-1	1
9	HEAD- Gear	94415-29	1
10	BLADE-SHAFT ASSEMBLY	A-94431-1A	1
11	RING- Retaining	28922	1
12	NUT- Hex locking	48783	1
13	WASHER- Cupped	48781	1
	DECAL- (not shown)	96428	1
	BLADE- Saw	D-94429-1A	1
14	SCREW- 1/4-28 x 1/2	82416	1

NOTE 1: install bearing with seal toward gear head.

## ACCESSORIES & TOOLS

GLIDE- Trim	D-94429	ROTOR- Puller	A-24747-A
KEY- Hex	94441	Includes:	
FIXTURE- Alignment	94455	NUT- Hex 5/16-18	81198
SCREWDRIVER	24541	BOLT	80288-2
TOOL- Shaft holder	94482	SEALANT	24823
WRENCH- Socket	68851	TOOL- Check valve	24872
BLADE- Tri-arc	94422-1	ATTACHMENT- Blower (ST-200 only)	A-93597
GREASE- Multi-use	17193	Includes:	
PLIERS- Tru-arc	22828	TOOL- Shaft stop	17370
PLUG- Bearing installation	17498	FAN	94928
PLUG- Bearing installation	17499	CLIP- Retaining	94928
PLUG- Bearing installation	17501	TOOL- Clutch removal	A-93791
SHIM- Plastic	24308	Includes:	
STRING- 100ft. replacement	DA-97703	PIN	23717-A
ROPE- Starter (250 Ft. Reel)	97135		

(R) 04877Y

**HOMELITE DIVISION OF TEXTRON INC.**  
 14401 Carowinds Boulevard  
 Charlotte, North Carolina 28217

**HOMELITE TEXTRON**

Homelite Division of Textron Inc.