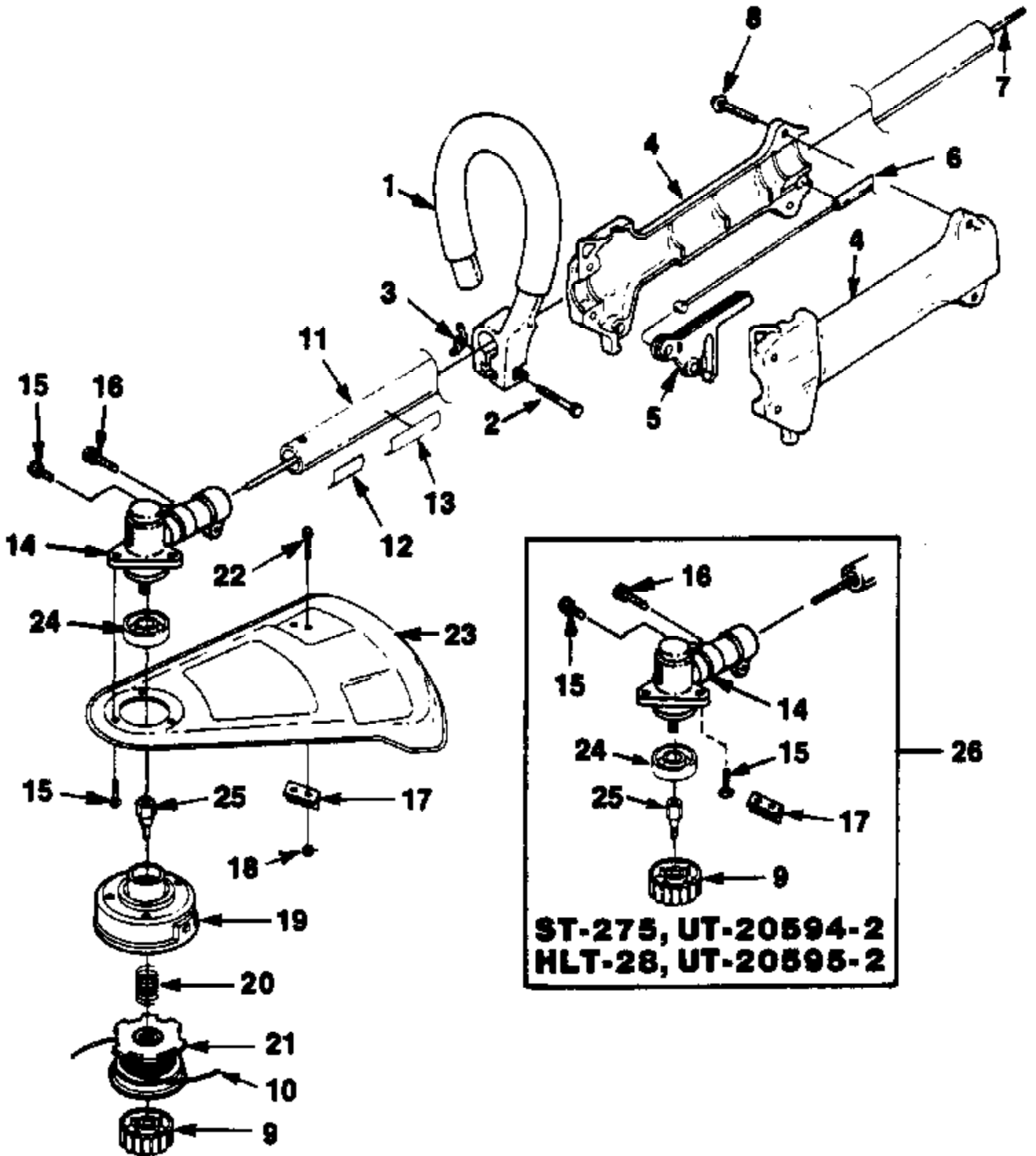


24 ACCESSORIES
 1 ACCESSOIRES
 24 TOEBEHOREN
 1 ZUBEHÖR
 1 ACCESSORI
 1 ACCESSORI
 1 ACESSÓRIOS

24 Saw Blade D-9935-A	24 Ignition Test Spark Plug JA-31316-4
1 Lame de scie	1 Testeur d'allumage
24 Zaagblad	24 Bougie voor ontstekingscontrole
1 Sägeblatt	1 Testzündkerze für Zündprüfung
1 Lama di sega	1 Candela di collaudo
1 Cuchilla de la sierra	1 Bujía para probar el encendido
1 Lâmina de serra	1 Vela de ensaio de ignição
24 Grass, Multi-Purpose 18453	24 Rubber Tubing (10 ft) (3,05 m) 94772-99
1 Grasse universelle	1 Tubes en caoutchouc (3,05 m)
24 Univeraal vet	24 Rubber slang (3,05 m)
1 Mehrzweck-Schmiermittel	1 Gummrohr (3,05 m)
1 Grasso, multuso	1 Dotto di gomma (3,05 m)
1 Grasse universel	1 Tubo de caucho (3,05 m)
1 Lubrificante, para fins múltiplos	1 Tubo de borracha (3,05 m)
24 Machete Blade DA-00714-A	24 Starter Rope (260 ft Reel) (76 m) 94052-A
1 Lame Machete	1 Cordon de lanceur (bobine de 76 m)
24 Macheteblad	24 Startkoord (spoel met 76 m)
1 Machete-Blatt	1 Startersel (76 m Spule)
1 Lama Machete	1 Corde d'avviamiento (bobina de 76 m)
1 Cuchilla Machete	1 Cuerda de arranque (carrete de 76 m)
1 Lâmina Machete	1 Cabo do arrancador (rolo de 75 m)
24 Thread Locking Compound 23489-C	24 Replacement String (3 lb. box) (0,095 dia.) 03959-04
1 Produit de blocage de filetage	1 Corde de recharge (boîte de 1,3 kg) (0,095 diam.)
24 Borgmiddel voor schroefdraden	24 Nieuwe draad (1,3 kg in een doos) (0,095 doorsnede)
1 Gewinde-Sicherungsmasse	1 Ersatz-Schneldfaden (Schachtel zu 1,3 kg) (0,095)
1 Composto di bloccaggio della filettatura	1 Corda di ricambio (scatola di 1,3 kg) (0,095 di diam.)
1 Pasta selladora de roscas	1 Cuerda de repuesto (caja de 1,3 kg) (dia. 0,095)
1 Composto de retenção de roscas	1 Fio de substituição (caixa de 1,3 kg) (0,095 de diâmetro)
24 Module Air Gap Shim 24306	24 Torx Bit (for clutch drum) T26 24982-03
1 Cale d'écartement modulaire	1 Foret torx (pour tambour d'embrayage)
24 Modulair vuistuk voor de luchtopening	24 Torx drijfbit (voor koppelingstrommel)
1 Modu-Luftspalt-Belagscheibe	1 Torx-Antriebsbit (für Kupplungstrommel)
1 Spessore di distanza modulare	1 Punta Torx Drive (per il tamburo della frizione)
1 Placa de relleno de la separación del módulo	1 Broca de empuje Torx (tambor del embrague)
1 Chapa de separação do módulo	1 Broca Torx (para o tambor da embraiagem)
24 Grass Anti Wrap Kit A-04191	24 Torx Drive Bit T-27 18586-01
1 Nécessaire anti-enroulement d'herbe	1 Foret torx
24 Apparaatje om te voorkomen dat gras zich rond de aandrijftas wikkelt	24 Torx-drijfbit
1 Grasrückhalter	1 Torx-Antriebsbit
1 Kit antiavvolgimento d'erba	1 Punta Torx Drive
1 Dispositivo contra la acumulación de pasto	1 Broca de empuje Torx
1 Dispositivo contra a acumulação de relva	1 Broca accionadora Torx

Ref #	Part Number	Qty	Description
D-98935-A	D98935A	1	Saw Blade
18453	18453	1	Grease, Multi-Purpose
DA-00714-A	DA00714A	1	Machete Blade
23488C	23488C	1	Thread Locking Compound
24306	24306	1	Module Air Gap Shim
A-04191	A04191	1	Grass Anti Wrap Kit ST-145, ST-155, ST-175, ST-175G, ST-175C, ST-175BC, HGT, GST, HLT-16, HLT-17C
JA313164	JA313164	1	Ignition Test Spark Plug
9477299	9477299	1	Rubber Tubing (10 ft.) (3.05 m)
98052-A	98052A	1	Starter Rope (250 ft. Reel) (76 m)
03959-04	0395904	1	Replacement String (3 lb. box) (0.095 dia.)
24982-03	2498203	1	Torx Bit (for clutch drum) T25
18566-01	1856601	1	Torx Drive Bit T-27



Ref #	Part Number	Qty	Description
1	A98525	1	HANDLE- Front
2	80295	1	SCREW (1/4-20 x 2")
3	93992	1	NUT- Wing
4	A00879	1	HANDLE GRIP ASSEMBLY
5	98772A	1	TRIGGER
6	A03006	1	CABLE- Throttle
7	98818	1	SHAFT- Flexible
8	82368	5	SCREW- Plastite (#8 x 3/4")
9	A97910A	1	RETAINER- Spool
10	DA97952B	1	LINE- Replacement (.080 Dia.) (100 Ft.) (ST-275)
	0395903	1	LINE- Replacement (.095" Dia.) (1 lb. Box) (HLT-28)
11	A00665	1	HOUSING- Drive shaft (ST-275- UT20594-1)
12	04154	1	DECAL- Warning
13	989231	1	DECAL- Starting Instructions
	A00734	1	HOUSING- Drive shaft (ST-275- UT20594-2)
	04154	1	DECAL- Warning
	989231	1	DECAL- Starting Instructions
	A00666	1	HOUSING- Drive shaft (HLT-28- UT20595-A)
	04154	1	DECAL- Warning
	989231	1	DECAL- Starting Instructions
	A00747	1	HOUSING- Drive shaft (HLT-28- UT20595-2)
	04154	1	DECAL- Warning
	989231	1	DECAL- Starting Instructions
14	A04151	1	GEAR HEAD
15	88048	4	SCREW- (10-24 x 3/8")
16	82586	1	SCREW- (1/4-20 x 7/8")
17	02949	1	BLADE- Cut-off (HLT-28)
	00075	1	BLADE- Cut-off (ST-275)
18	81208	2	NUT (10-24)
19	A98231A	1	HOUSING & EYELET (Dual Line)
20	98848	1	SPRING- Compression
21	DA98912C	1	SPOOL & STRING (Dual Line) (ST-275)
	DA02598A	1	SPOOL & STRING (Dual Line) (HLT-18)
22	80869	2	SCREW (10-24 x 3/8")
23	988461	1	DEFLECTOR- Grass
24	04168	1	WASHER- Flange (ST-275- UT20594-1, HLT-28 UT20595-A)
25	9855141	1	ADAPTOR- Shaft (ST-275- UT20594-1) (HLT-28- UT20595-A)
26	A04316	1	GEAR BOX KIT (ST-275- UT20594-2, HLT-28- UT-20595-2)

⊕ CARBURETOR
⊕ CARBURATEUR
⊕ CARBURATEUR
⊕ VERGASER
⊕ CARBURATORE
⊕ CARBURADOR
⊕ CARBURADOR

⊕ ZAMA	A-03003
⊕ Repair Kit	A-03079
⊕ Jeu de réparation	
⊕ Reparatieset	
⊕ Reparatursatz	
⊕ Kit per riparazioni	
⊕ Juego de reparación	
⊕ Jogo de reparação	

⊕ Gasket/Diaphragm Kit	A-03050
⊕ Jeu joint/diaphragme	
⊕ Pakking/membraan set	
⊕ Dichtung/Membrane-Satz	
⊕ Kit diaframma/guarnizione	
⊕ Conjunto junta/diafragma	
⊕ Jogo de juntas vedantes/diafragmas	

⊕ Primer Bulb	A-01195-A
⊕ Bouton d'amorçage	
⊕ Voorinspuitpomp	
⊕ Vorpumpe	
⊕ Ciochetto	
⊕ Bulbo cebador	
⊕ Bolha de unidade de escorvagem	

⊕ Primer Base* (Aluminum)	A-01194
⊕ Primer Base* (Plastic)	A-03062

⊕ Base d'amorçage* (aluminium)	
⊕ Base d'amorçage* (plastique)	
⊕ Voorinspuit-sokkel* (aluminium)	
⊕ Voorinspuit-sokkel* (plastic)	
⊕ Vorpumpen-Sockel* (Aluminium)	
⊕ Vorpumpen-Sockel* (Plastic)	
⊕ Base del ciochetto* (aluminio)	
⊕ Base del ciochetto* (plastic)	
⊕ Base de cebador* (aluminio)	
⊕ Base de cebador* (plástico)	
⊕ Base da unidade de escorvagem* (Aluminio)	
⊕ Base da unidade de escorvagem* (Plástico)	

⊕ *Primer Base kits are not interchangeable.
⊕ *Les jeux de base d'amorçage ne sont pas interchangeables.
⊕ *Sokkel-zets voor voorinspuiten zijn niet verwisselbaar.
⊕ *Sockelsätze für die Vorpumpe sind nicht austauschbar.
⊕ *I kit della base del ciochetto non sono intercambiabili.
⊕ *Los juegos de base de cebador no son intercambiables.
⊕ *Os jogos de base da unidade de escorvagem não são intercambiáveis.

⊕ Swivel Kit	A-00288
⊕ Jeu de pivots	
⊕ Zwenkast	
⊕ Drehzapfen-Satz	
⊕ Serie di ingranaggi girevoli	
⊕ Juego de enganche giratorio	
⊕ Jogo da rótula	

⊕ WALBRO	A-03003
⊕ Repair Kit	A-02065
⊕ Jeu de réparation	
⊕ Reparatieset	
⊕ Reparatur-Satz	
⊕ Kit di riparazione	
⊕ Juego de reparación	
⊕ Jogo de reparação	

⊕ Gasket/Diaphragm Kit	A-00285-A
⊕ Jeu joint/diaphragme	
⊕ Pakking/membraan set	
⊕ Dichtung/Membrane-Satz	
⊕ Kit diaframma/guarnizione	
⊕ Conjunto junta/diafragma	
⊕ Jogo de juntas vedantes/diafragmas	

⊕ Swivel Kit	A-00288
⊕ Jeu de pivots	
⊕ Zwenkast	
⊕ Drehzapfen-Satz	
⊕ Serie di ingranaggi girevoli	
⊕ Juego de enganche giratorio	
⊕ Jogo da rótula	

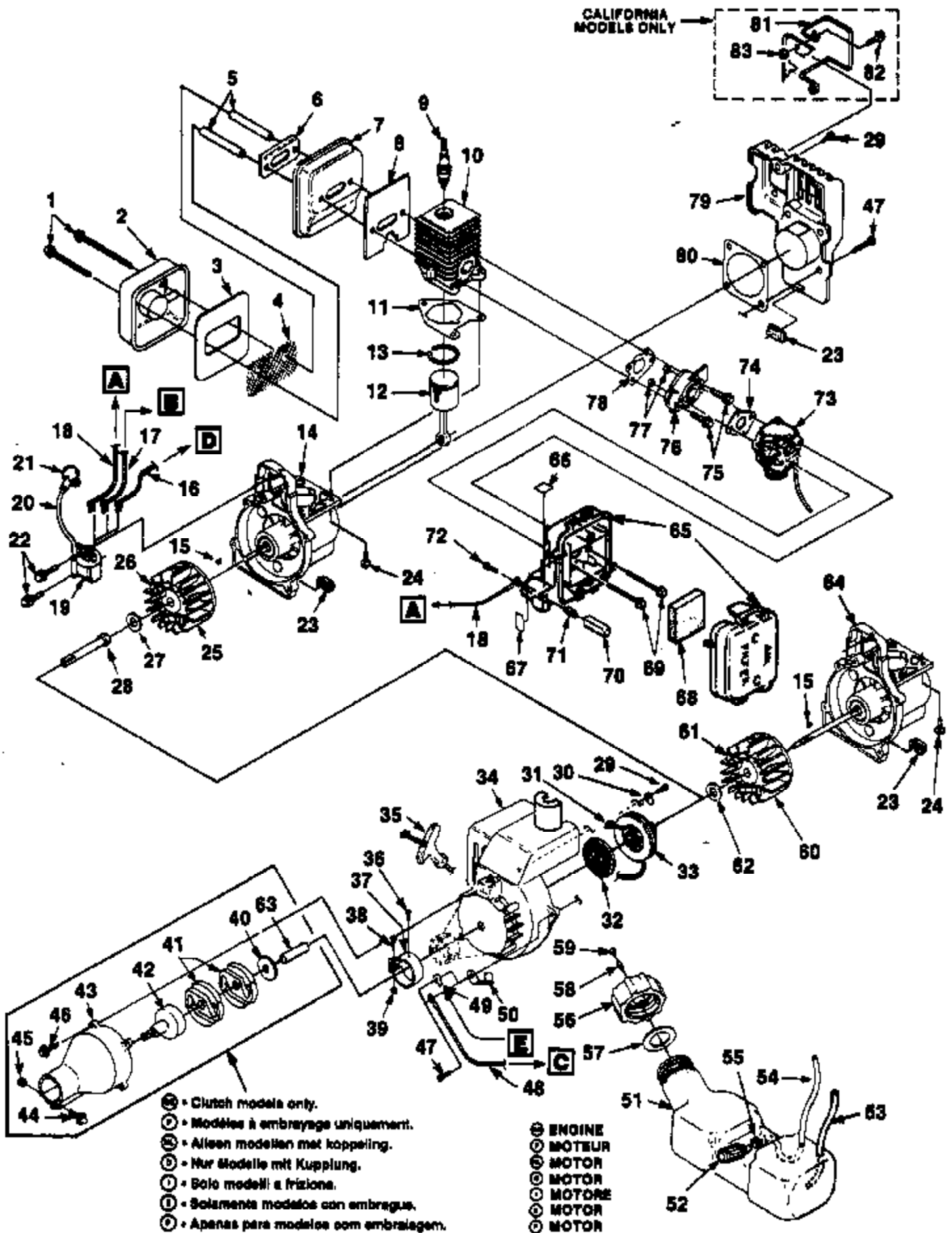
⊕ Primer Bulb	01201
----------------------------	--------------

⊕ Bouton d'amorçage	
⊕ Voorinspuitpomp	
⊕ Vorpumpe	
⊕ Ciochetto	
⊕ Bulbo cebador	
⊕ Bolha de unidade de escorvagem	

⊕ Primer Base*	A-01190-A
-----------------------------	------------------

⊕ Base d'amorçage*	
⊕ Voorinspuit-sokkel*	
⊕ Vorpumpen-Sockel*	
⊕ Base del ciochetto*	
⊕ Base de cebador*	
⊕ Base da unidade de escorvagem*	

Ref #	Part Number	Qty	Description
A-03003	A03003	1	ZAMA
A-03979	A03979	1	Repair Kit
A-03980	A03980	1	Gasket/Diaphragm Kit
A-01195-A	A01195A	1	Primer Bulb
A-01194	A01194	1	Primer Base (Aluminum) Primer Base kits are not interchangeable.
A-03062	A03062	1	Primer Base (Plastic) Primer Base kits are not interchangeable.
A-00289	A00289	1	Swivel Kit
A-03002	A03002	1	WALBRO
A-02665	A02665	1	Repair Kit
A00285A	A00285A	1	Gasket/Diaphragm Kit
A-00289	A00289	1	Swivel Kit
01201	01201	1	Primer Bulb
A-01200-A	A01200A	1	Primer Base Primer Base kits are not interchangeable.



Ref #	Part Number	Qty	Description
1	88060	2	SCREW- (10-24 x 2 1/2")
2	A98780	1	COVER- Muffler
3	98782	1	BAFFLE- Muffler
4	98784A	1	SCREEN- Spark
5	98860A	2	SPACER- Muffler
6	98783	1	PLATE- Reinforcing
7	A01323	1	BODY- Muffler
8	98786B	1	GASKET- Muffler
9	96169S	1	SPARK PLUG (DJ7Y)
	79252	1	SPARK PLUG (RDJ7Y) (Int'l)
10	A00108	1	CYLINDER & GASKET (ST-145,ST-155,ST-175BCST-175C,ST-175G,ST-185BC,ST-
11	03703A	1	GASKET- Cylinder
	A03785A	1	CYLINDER & GASKET (HLT-16,HLT-17C,HLT-28,HBC-18,HBC-30,HBC-30B)
12	03703A	1	GASKET- Cylinder
	A04258	1	PISTON & ROD ASSEMBLY (ST-145,ST-155,ST-175BC,ST-175C,ST-175G,ST-185BC
13	96935	1	RING- Piston
	A03705	1	PISTON & ROD ASSEMBLY (HLT-16,HLT-17C,HLT-28,HBC-18,HBC-30,HBC-30B)
14	03179	2	RING- Piston
	A00517	1	CRANKCASE (ST-145, ST-155, ST-175G, ST-275, GST, HGT)
15	A00574	1	CRANKCASE (HLT-16, HLT-28)
16	69250	1	KEY- Woodruff
17	A00681	1	LEAD- Electrical (ST-385BC, HBC-30, HBC-30B)
	A98918	1	LEAD- Electrical (ST-175BC,ST-175C,ST-185BC,ST-285BC,HLT-17C,HBC-18)
18	A98809	1	LEAD- Electrical (ST-145,ST-155,ST-175G,ST-275,GST,HGT,HLT-16,HLT-28
19	94711CS	1	MODULE- Ignition
20	69326	1	LEAD- High-Tension
21	A33055	1	TERMINAL- High-Tension
22	82540	2	SCREW- Taptite (8-32 x 1")
23	98792	3	BUMPER- Rubber
24	82569	3	SCREW- (10-24 x 3/4") (T-27)
25	A04158	1	ROTOR (ST-145, ST-155, ST-175G, ST-275, HGT, GST, HLT-16, HLT-28)
26	A70285E	1	KIT- Starter pawl
27	84065	1	WASHER- Flat (5/16") (ST-145,ST-155,ST-175GST-275,GST,HGT,HLT-16,HLT
28	98795A	1	CONNECTOR- Drive (ST-145, ST-155, ST-175G, ST-275, HLT-16, HLT-28)
29	82541	4	SCREW- Plastite (10 x 1/2")
30	98791	1	BRACKET- Retaining
31	9789902	1	ROPE- Starter (42")
32	A98773	1	SPRING & CONTAINER
33	98770	1	PULLEY- Starter
34	A02576B	1	HOUSING Engine (ST-175BC,ST-175C,ST-185BC,ST-285BC,ST-385BC,HLT-17

Ref #	Part Number	Qty	Description
	A02575B	1	HOUSING- Engine (ST-145, ST-155, ST-175G, ST-275, HLT-16, HLT-28)
35	02264	1	GRIP- Starter
36	82522	1	SCREW- Pan hd. (#10 x 3/8")
37	98802A	1	CLAMP
38	82268	1	SCREW- Hex sems (10-24 x 3/8")
39	97574	1	NUT- Square
40	98929A	1	WASHER- Clutch (ST-175BC,ST-175C,ST-185BC,ST-285BC,GST-BC,HLT-17C,
41	00242	1	CLUTCH (ST-175BC, ST-175C,ST-185BC,ST-285BC,ST-385BC,GST-BC,HLT-17C-I
42	A02727	1	CONNECTOR & DRUM (ST-175BC,ST-175C,ST-185BC,ST-285BC,ST-85BC,GST-BC
	A03485A	1	CONNECTOR & DRUM (HLT-17C-UT2059-A, HBC-18, HBC-30, HBC-30B)
43	A02396A	1	TUBE ADAPTOR (ST-175BC,ST-175C,ST-185BC,ST-285BC,ST-385BC,GST-BC
44	88054	1	SCREW (10-24 x 1 1/4")
45	81208	1	NUT (10-24)
46	88052	1	SCREW (10-24 x 7/8")
47	82538	1	SCREW- Taptite (10-24 x 3/4")
48	A98919A	1	LEAD- Ground
49	02851	1	TERMINAL
50	A98808	1	BRACKET- Cable
51	A01441	1	TANK- Fuel
52	49422	1	FILTER- Fuel
53	0143932	1	TUBING- Rubber (8")
54	9477232	1	TUBING- Rubber (8")
55	98268	1	CLAMP- Wire
56	A00982A	1	FUEL CAP ASSEMBLY
57	98805A	1	GASKET- Fuel cap
58	03134	1	VALVE- Duck bill
59	98913	1	FILTER- Cap
60	A00856	1	ROTOR (ST-175BC,ST-175C,ST-185BC,ST-285BC,ST-385BC,GST-BC
61	A70285E	1	STARTER PAWL
62	95479A	1	WASHER
63	035662	1	SPACER
	A00857	1	ROTOR (HLT-17C-UT-20596-A, HLT-16, HLT-28, HBC-18, HBC-30, HBC-30B)
	A70285E	1	STARTER PAWL
	95479A	1	WASHER
	035661	1	SPACER
64	A00575	1	CRANKCASE (ST-175BC, ST-175C, ST-185BC, ST-285BC, ST-385BC, GST-BC)
	A00551	1	CRANKCASE (HLT-17C, HBC-18, HBC-30, HBC-30B)
65	A01440A	1	AIR FILTER BOX
66	98943	1	DECAL- Push-Hold
67	00772	1	DECAL- Choke-Run
68	D98760A	1	FILTER- Air
69	82542	1	SCREW- (10-24 x 2 1/4")
70	98769	1	BUTTON- Switch
71	95020	1	SPRING- Compression

Ref #	Part Number	Qty	Description
72	93923	1	SCREW- Plastite (#6)
73	A03003	1	CARBURETOR (Walbro)
	A03002	1	CARBURETOR (Zama)
74	98766A	1	GASKET- Carburetor
75	825491	1	SCREW- Taptite (10-24 x 1")
76	98768	1	HEAT DAM
77	81208	1	NUT (10-24)
78	98765B	1	GASKET- Heat dam
79	A00858	1	CRANKCASE COVER
80	98767A	1	GASKET- Crankcase cover
81	A00254	1	WIRE GUARD KIT
82	88049	1	SCREW- Hex sems (10-24 x 1/2")
83	81208	1	NUT (10-24)