

Homelite®

PARTS LIST

(NOTE: THIS PARTS LIST COVERS ONLY UT NUMBERS SHOWN.)

SX-135

(UT20601-A, B, C, UT20601 1
UT20609-A)

ST-155

(UT20539 E, UT20544 E)

ST-175G

(UT20590 C, D, UT20604 A)

ST-185BC

(UT15039 E, UT15102)

ST-275

(UT20594 1, A, B)

ST-285BC

(UT20581 E, UT20615)

ST-385BC

(UT15040 H, J, K)

HLT-15

(UT20602 A, B, C, UT20605 A)

HLT-16

(UT20585 C, UT20608 A)

HLT-18

(UT20604 B, UT20607 A)

HLT-28

(UT20595 C, UT20608 A)

HBC-18

(UT15075 C)

HBC-28

(UT15096, UT15097)

GST-18

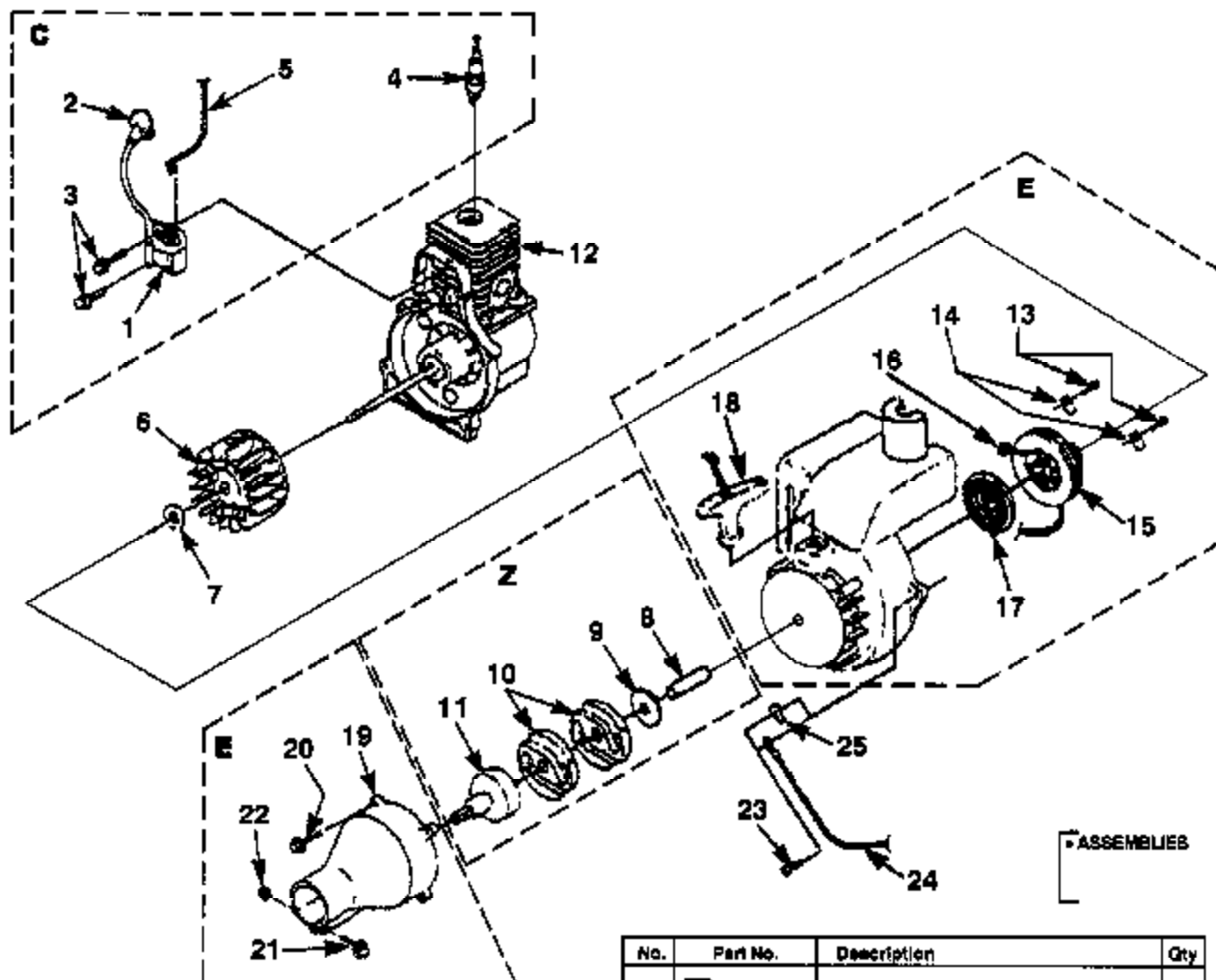
(UT20593 C)

GST-BC

(UT15084 C)

PART NO. 19219-B
Printed in U.S.A.

IGNITION - ROTOR - STARTER - CLUTCH

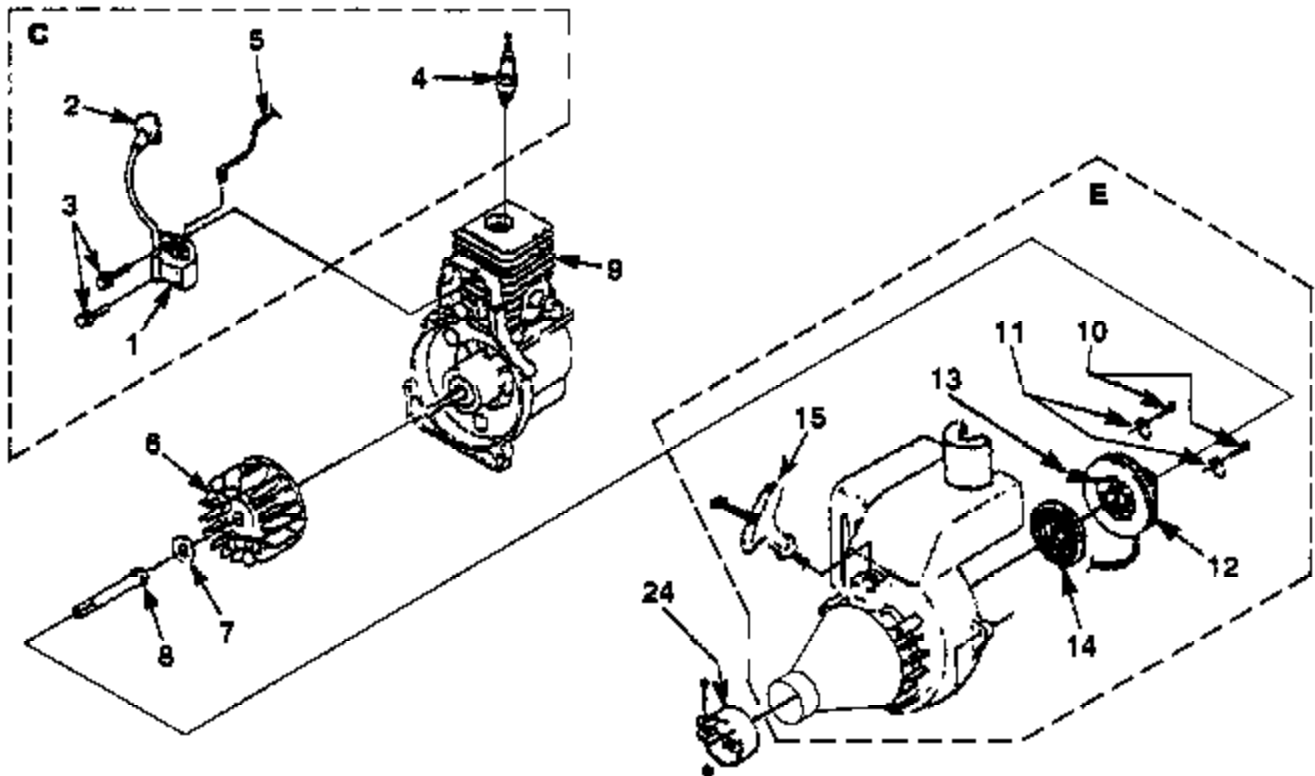


No.	Part No.	Description	Qty
C	A 04446	IGNITION KIT	1
1	A 94711 CS	MODULE-Ignition	1
2	A 33066	TERMINAL & COVER	1
3	02540	SCREW-Taprite (8-32 X 1")	2
4	96169 S	SPARK PLUG	1
6	A 00681	LEAD-Electrical	1
6	A 04158 S	ROTOR KIT (ST-1855C, GST-8C)	1
7	96479 A	WASHER-Flat	1
8	03566 1	SPACER (Clutch Models)	1
10	98796 A	CONNECTOR-Drive	1
Z	A 04655	CLUTCH AND DRUM KIT (ST-2855C, ST-3855C, HBC-18, HBC-30) (Also includes #9)	1
9	98929 A	WASHER-Flat	1
10	00242	CLUTCH (ST-1855C, GST-8C) CLUTCH (ST-2855C, ST-3855C, HBC 18, HBC-30)	3
11	A 03485 A	CONNECTOR & DRUM (ST-2855C, ST-3855C, HBC-18, HBC-30)	1
12		SHORT BLOCK (Ref Pg 4, Item 1A, 1B)	1

No.	Part No.	Description	Qty
E	A 04658 C	COMPLETE STARTER ASSEMBLY	1
13	82541	SCREW-Plastic (#10-1/2")	2
14	98791	BRACKET-Retaining	2
15	98770 A	PULLEY-Startei	1
16	97899 02	ROPE-Startei (42")	1
17	A 98773 A	SPRING & CONTAINER	1
18	02264	GRIP-Startei	1
19	A 02396 A	TUBE ADAPTER	1
20	88052	SCREW-Hex Hd (10-24 X 7/8")	4
21	96624	SCREW-Sems Hex Hd (10-24 X 1 1/8")	1
22	81208	NUT (10-24)	1
23	82538	SCREW-Taprite (10-24 X 3/4")	4
24	A 98919 A	LEAD-Ground	1
25	02851	TERMINAL-Male	1

Torque Specs			
Item No	In/Lbs	Nm	Required Loctite
3	30-40	3.4-4.6	Blue 242
4	120-180	13.6-20.3	
13	30-40	3.4-4.6	
20	30-40	3.4-4.5	
22	40-50	4.5-5.6	
23	55-60	6.2-6.8	

IGNITION - ROTOR - STARTER



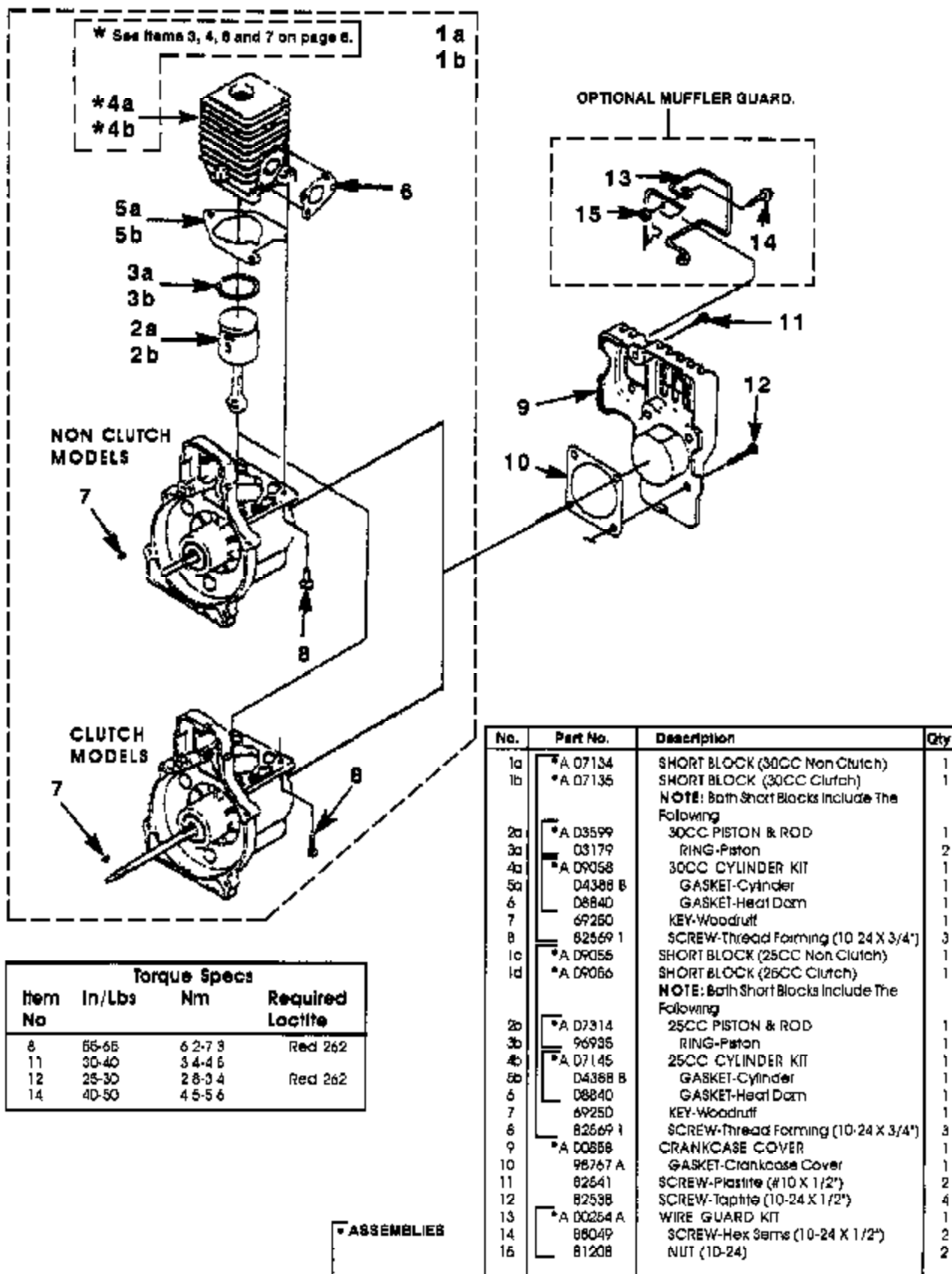
No.	Part No.	Description	Qty
C	A 04446	IGNITION KIT	1
1	94711 CS	MODULE-Ignition	1
2	A 33056	TERMINAL & COVER	1
3	82540	SCREW-Taptite (B-32X15)	2
4	96169 S	SPARK PLUG	1
5	A 07238	LEAD-Electrical	1
6	A 04168 S	ROTOR KIT (ST-185BC, GST-BC)	1
7	95479 A	WASHER-Fical	1
8	96795 A	CONNECTOR-Drive	1
9		SHORT BLOCK (Ref Pg 4, Item 1A, 1B)	1

No.	Part No.	Description	Qty
E	A 02575 E	COMPLETE STARTER ASSEMBLY	1
10	82541	SCREW-Plastite (#10-1/2")	2
11	98791	BRACKET-Retaining	2
12	98770 A	PULLEY-Starter	1
13	97899 02	ROPE-Starter (42")	1
14	A 98773 A	SPRING & CONTAINER	1
15	02264	GRIP-Starter	1
16	08469	CLAMP w/fasteners	1

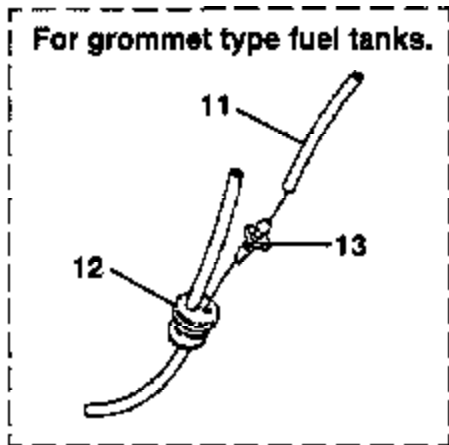
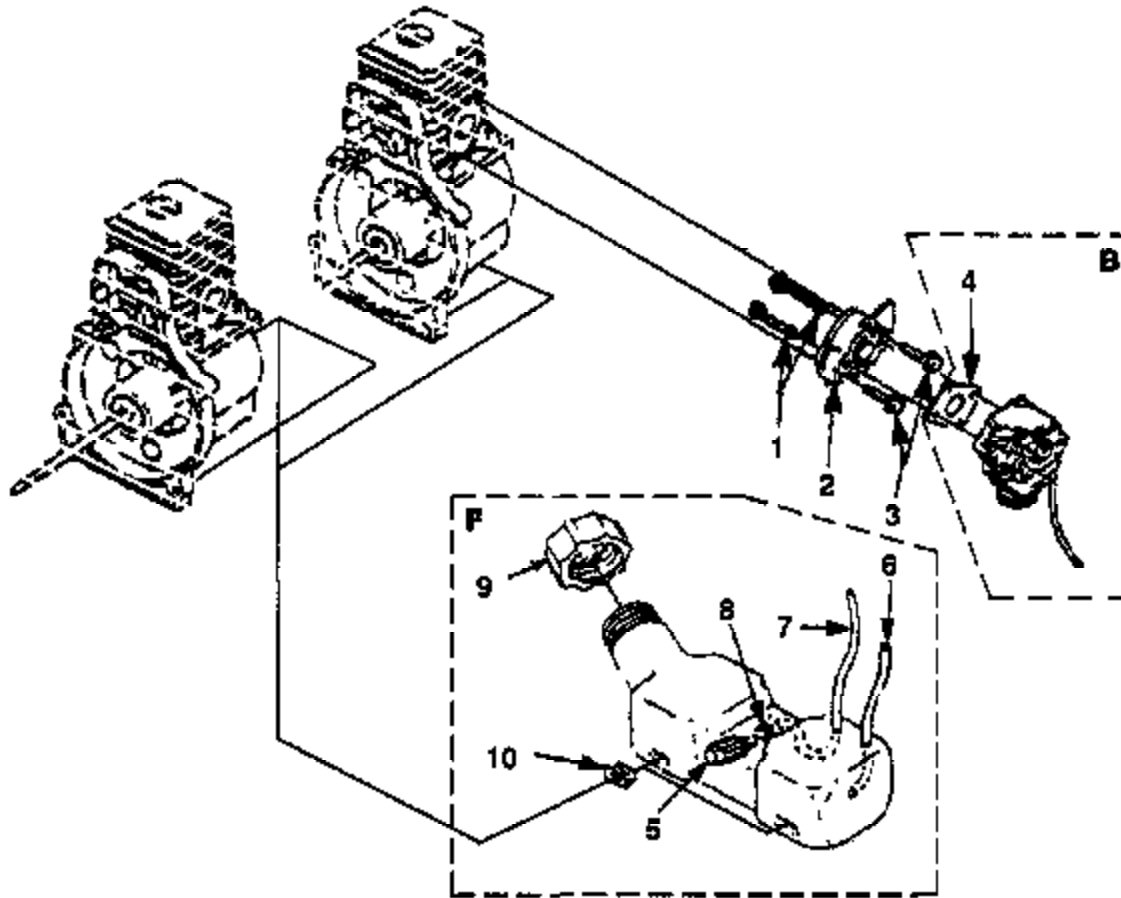
ASSEMBLIES

Item No	Torque Specs		Required Loctite
	In/Lbs	Nm	
3	30-40	3.4-4.5	Blue 242
4	120-180	13.6-20.3	
10	30-40	3.4-4.5	

ENGINE INTERNAL



CARBURETOR - FUEL TANK

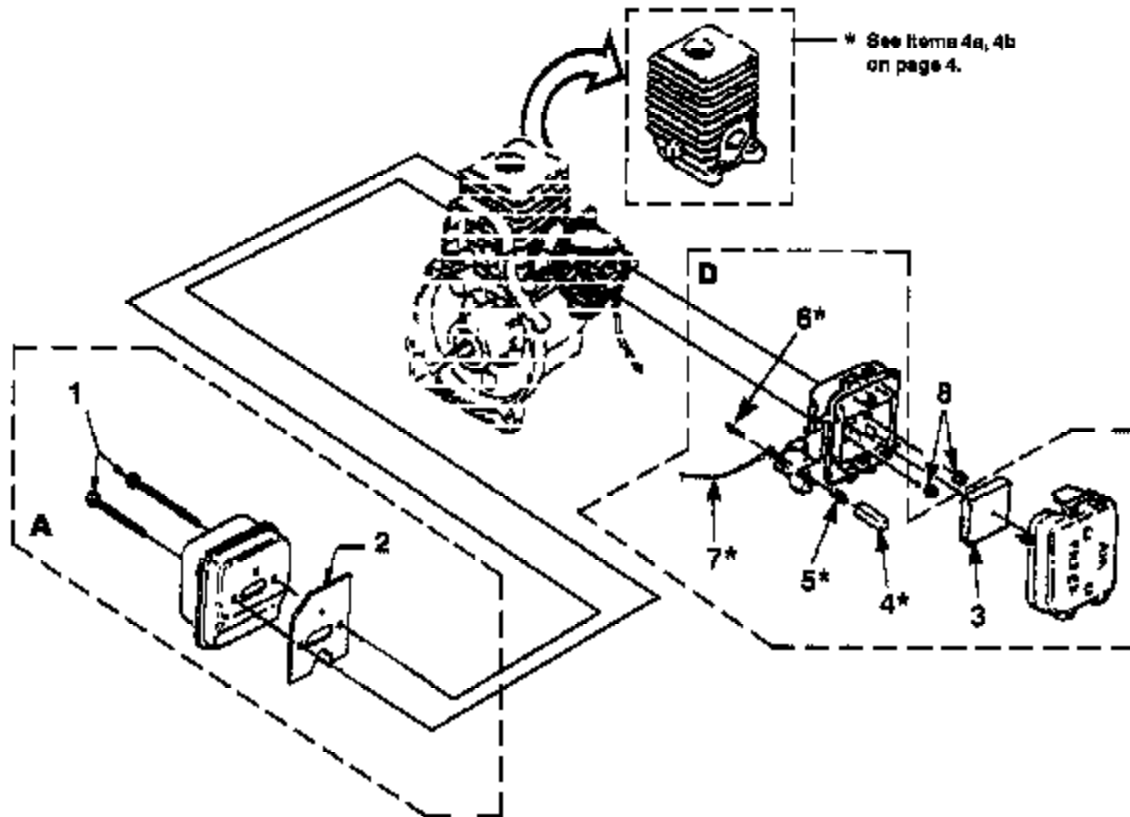


No.	Part No.	Description	Qty
1	04474	SCREW-Machine (10-24 X 2 1/4")	2
2	98768	HEAT DAM	1
3	82649-1	SCREW-Tophite (10-24 X 1")	2
B	A04445 A	CARBURETOR KIT	1
4	98766 A	GASKET-Carburetor	1
F	A04447 C	FUEL TANK	1
5	49422	FILTER-Fuel	1
6	01439 32	TUBING-Rubber (8')	1
7	94772 32	TUBING-Rubber (8')	1
8	98268	CLAMP-Wire	1
9	A 00982 B	FUEL CAP	1
10	98792	BUMPER-Rubber	3
11	01439 16	TUBING-Rubber (3 X 3/4")	1
12	07469	GROMMET w/Tubng	1
13	02067	FITTING-Fuel	1

• **ASSEMBLIES**

Item No	Torque Specs		Required Loctite
	In/Lbs	Nm	
1	30-40	3.4-4.5	
3	40-60	4.5-5.6	Red 262

MUFFLER - AIR CLEANER



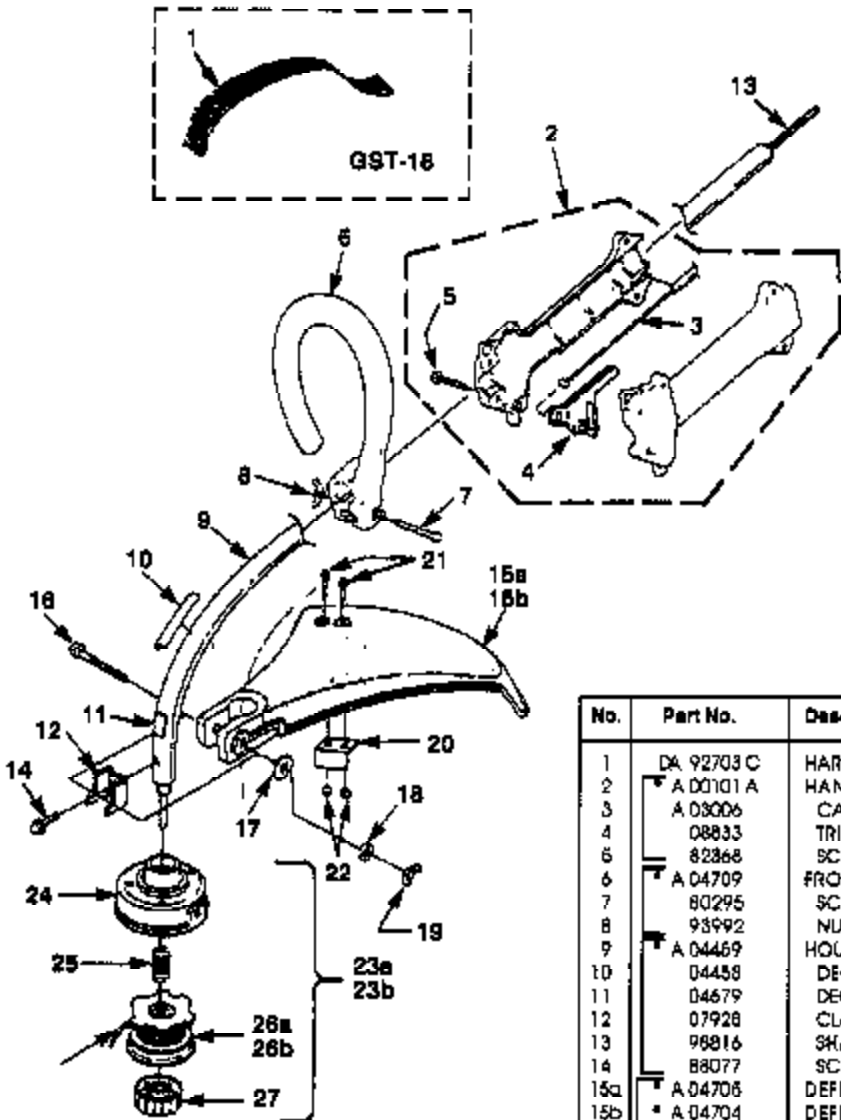
No.	Part No.	Description	Qty
A	04837	MUFFLER COMPLETE	1
1	68060	SCREW-Sarns Hex (1D-24 X 2 1/2")	2
2	98786 C	GASKET-Muffler (Also included with *)	1
D	AD4707 A	AIR FILTER KIT	1
3	D 98760 B	FILTER-AIR	1
4*	98769	BUTTON-Switch	1
5*	95020	SPRING-Compression	1
6*	82613	SCREW-Plastic (#6)	1
7*	AD7238	LEAD-Electrical	1
8	81208	NUT-Hex (1D-24)	2

Item No	Torque Specs		Required Loctite
	In/Lbs	Nm	
1	40-50	4.5-5.6	
6	5-10	6-11	
8	40-50	4.5-5.6	

* Items No. 4, 5, 6 and 7 are not parts of ST-365 BC.

• ASSEMBLIES

**ST-155, SX-135, ST-175G,
HLT-15, HLT-16, HLT-18,
GST-18**

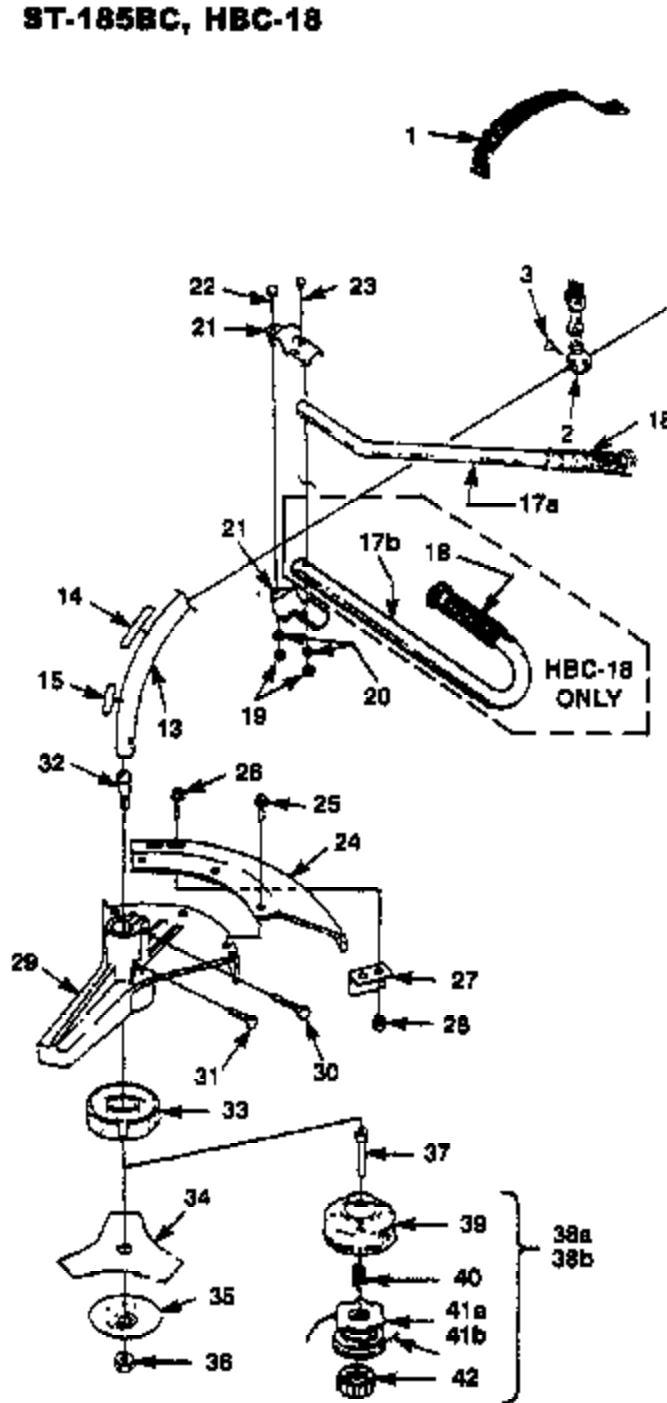


Torque Specs			
Item No	In/Lbs	Nm	Required Loctite
5	15-25	1.7-2.8	
8	5-30	6-3.4	
14	15-25	1.7-2.8	Red 262
19	5-30	6-3.4	
21	15-20	1.7-2.3	Red 262

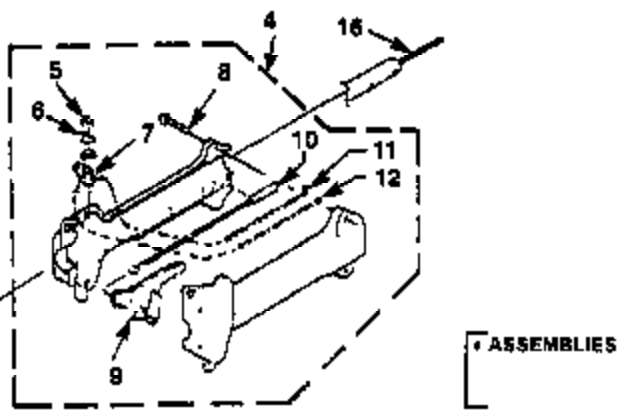
No.	Part No.	Description	Qty
1	DA 92703 C	HARNESW/Connector (GST-18)	1
2	A 00101 A	HANDLE GRIP ASSEMBLY	1
3	A 03006	CABLE-Throttle	1
4	08833	TRIGGER	1
5	82368	SCREW-Thread Forming (#6 X 3/4")	5
6	A 04709	FRONT HANDLE KIT	1
7	80295	SCREW-Cap Hex Hd (1/4-20 X 2")	1
8	93992	NUT-Wing (3/4-20)	1
9	A 04459	HOUSING-Drive Shaft	1
10	04458	DECAL-Starting Instructions	1
11	04679	DECAL-Warning	1
12	07928	CLAMP 1	1
13	98816	SHAFT-Flexible	1
14	88077	SCREW-Sems Hex Hd (#10 X 1/2")	1
15a	A 04706	DEFLECTOR & BLADE KIT (55 Deg)	1
15b	A 04704	DEFLECTOR & BLADE KIT (100 Deg)	1
NOTE: Both assemblies include the following			
16	80295	SCREW-Cap Hex Hd (10-24 X 2")	1
17	84006	WASHER-Flat (1/4")	1
18	83009	WASHER-Lock (1/4")	1
19	93992	NUT-Wing (10-24)	1
20	A 03832	BLADE-Cut-Off	1
21	82531	SCREW-Mech Hex Hd (10-24 X 7/8")	2
22	81261	NUT-Hex (10-24)	2
23a	DA 03001 A	STRINGHEAD-Complete (080° Line) (ST155, SX135, ST175-G, HLT15, GST-18)	1
23b	DA 04591 A	STRINGHEAD-Complete (095° Line) (HLT-16, HLT-18)	1
24	A 98231 A	HOUSING & EYELET (Dual Line)	1
25	06713	SPRING-Compression	1
26a	DA 98912 E	SPOOL & STRING (080° Line) (ST155, SX135, ST175-G, HLT15, GST-18)	1
26b	DA 02598 C	SPOOL & STRING (095° Line) (HLT-16, HLT-18)	1
27	DA 98866 A	RETAINER-Spool (R H Thread, Black)	1

ASSEMBLIES

ST-185BC, HBC-18

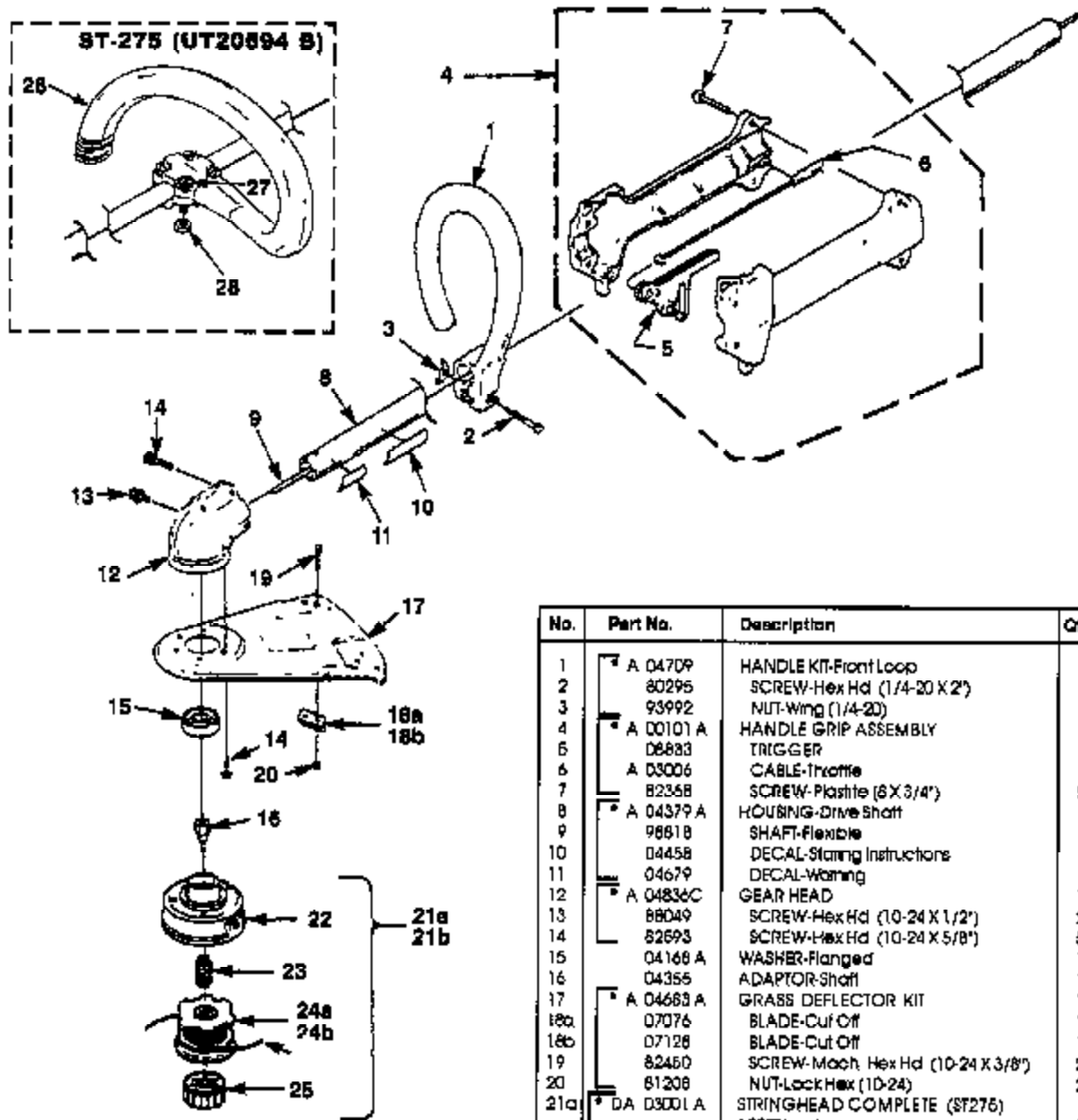


Item No	Torque Specs		Required Loctite
	In/Lbs	Nm	
5	18-24	2.0-2.7	
8	15-26	1.7-2.8	
22	75-85	8.5-9.6	
23	75-85	8.5-9.6	
26	20-30	2.3-3.4	Red 262
30	75-85	8.5-9.6	
31	40-50	4.5-5.6	



No.	Part No.	Description	Qty
1	DA 92703 C	HARNESStw/Connector	1
2	A 94442	BRACKET-Hanger	1
3	82260	SCREW-Thumb (10-24 X 1/2")	1
4	A 03911 1	HANDLE GRIP ASSEMBLY	1
5	72084 A 1	NUT-Toggle Switch-Hex Lock	1
6	95231	PLATE-Indicating	1
7	93653	SWITCH-Toggle	1
8	82368	SCREW-Plastic (#8 X 3/4")	4
9	05833	TRIGGER	1
10	A 03006	CABLE-Throttle	1
11	A 03912	LEAD-Rectifical	1
12	A 98919 A	LEAD-Ground	1
13	A 03287 B	HOUSING-Drive Shaft (Black)	1
14	04458	DECAL-Starting Instructions	1
15	04495	DECAL-Warning	1
16	98818	SHAFT-Flex	1
17a	A 04639	HANDLE BAR (ST-185BC)	1
17b	A 03490 A	HANDLE BAR ("J") (HBC-18)	1
NOTE: Both assemblies contain the following			
18	94474 B	GRIP	1
19	81267	NUT (1/4-20)	2
20	83061	WASHER (1/4")	2
21	00422	CLAMP-Handle Bar	2
22	88078	SCREW-Sems Hex Hd (1/4-20 X 1")	1
23	88071	SCREW-Sems Hex Hd (1/4-20 X 1/2")	1
24	A 04706	DEFLECTOR-Grass	1
25	80681 B	SCREW-Mach Hex Hd (1/4-20 X 1/2")	3
26	80869	SCREW-Mach Hex Hd (10-24 X 3/8")	2
27	98858	BLADE-Cut-Off	1
28	81208	NUT (10-24)	2
29	A 04457 A	HOUSING-Lower Bearing	1
30	86078	SCREW-Sems Hex Hd (1/4-20 X 1")	1
31	82450	SCREW-Mach Hex Hd (10-24 X 3/8")	1
32	98834 A	SHAFT-Spindle	1
33	98836 18	WASHER-Flanged	1
34	D 98717 C	BLADE-Tri-Arc (8")	1
35	98836	WASHER-Cupped	1
36	98837	NUT-Hex Locking (R H)	1
37	98849	CONNECTOR-Drive	1
38a	A DA 03001 A	STRINGHEAD-Complete (ST-185BC)	1
38b	A DA 04691 A	STRINGHEAD-Complete (HBC-18)	1
39	A 98231 A	HOUSING & EYELET (Dual Line)	1
40	06713	SPRING-Compression	1
41a	DA 98912 E	SPOOL & STRING (.080" Line) (ST-185BC)	1
41b	DA 02698 C	SPOOL & STRING (.095" Line) (HBC-18)	1
42	DA 98866 A	RETAINER-Spool (R H Thread)	1

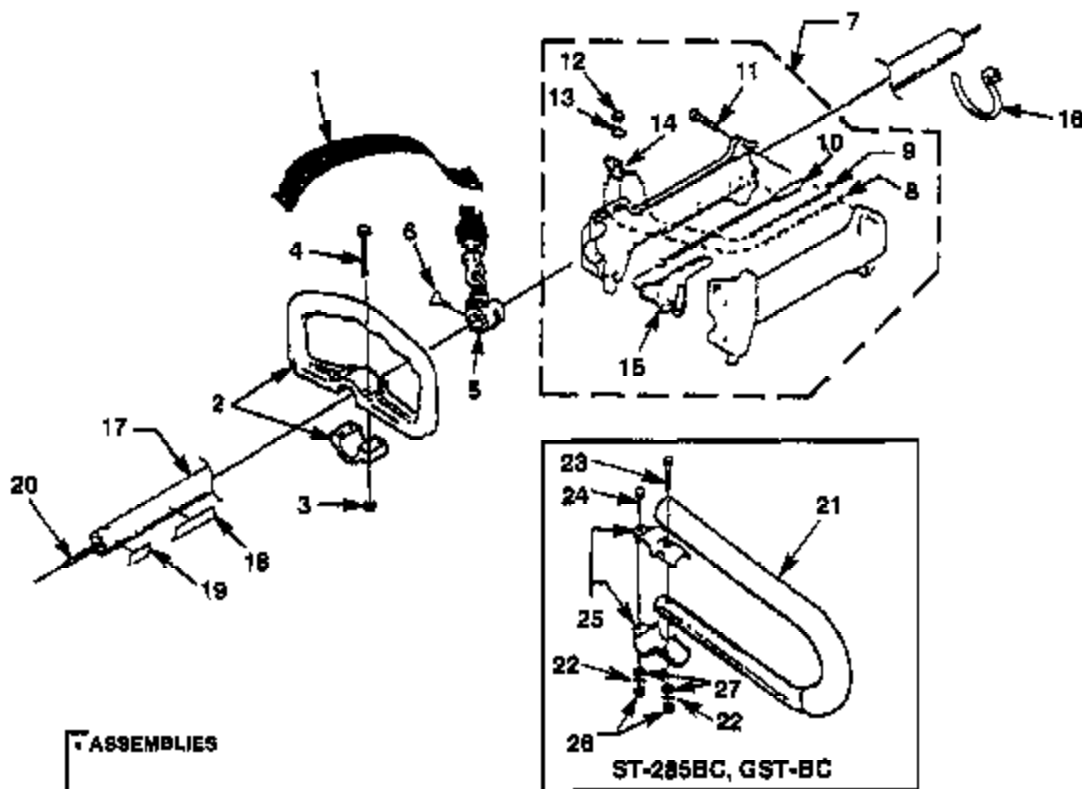
HLT-28, ST-275



Item No	Torque Specs		Required Loctite
	In/Lbs	Nm	
3	5-30	6-3.4	
7	15-25	1.7-2.8	
13	40-50	4.5-5.6	
14	40-50	4.5-5.6	
19	40-50	4.5-5.6	Red 252
27	40-50	4.5-5.6	

No.	Part No.	Description	Qty
1	A 04709	HANDLE KIT-Front Loop	1
2	80295	SCREW-Hex Hd (1/4-20 X 2")	1
3	93992	NUT-Wing (1/4-20)	1
4	A 00101 A	HANDLE GRIP ASSEMBLY	1
5	06883	TRIGGER	1
6	A 03006	CABLE-Trimline	1
7	82358	SCREW-Plasite (8 X 3/4")	5
8	A 04379 A	HOUSING-Drive Shaft	1
9	98818	SHAFT-Flexible	1
10	04458	DECAL-Starting Instructions	1
11	04679	DECAL-Warning	1
12	A 04836C	GEAR HEAD	1
13	88049	SCREW-Hex Hd (10-24 X 1/2")	2
14	82693	SCREW-Hex Hd (10-24 X 5/8")	5
15	04166 A	WASHER-Flanged	1
16	04355	ADAPTOR-Shaft	1
17	A 04683 A	GRASS DEFLECTOR KIT	1
18a	07076	BLADE-Cut Off	1
18b	07126	BLADE-Cut Off	1
19	82460	SCREW-Mach Hex Hd (10-24 X 3/8")	2
20	81208	NUT-LockHex (10-24)	2
21a	DA 03001 A	STRINGHEAD COMPLETE (ST275) (D80° Line)	1
21b	DA 04591 A	STRINGHEAD COMPLETE (HLT-28) (D95° Line)	1
22	A 98231 A	HOUSING & EYELET (Dual Line)	1
23	06713	SPRING-Compression	1
24a	DA 98912 E	SPOOL & STRING (D80° Line) (ST275)	1
24b	DA 02598 C	SPOOL & STRING (D95° Line) (HLT-28)	1
25	DA 98866 A	RETAINER-Spool (R H Thread, Black)	1
26	A 07137 A	FRONT HANDLE ("G") (UT20594 B)	1
27	82606	SCREW-Hex Hd (10-24 X 1")	4
28	81208	NUT-Hex (10-24)	4

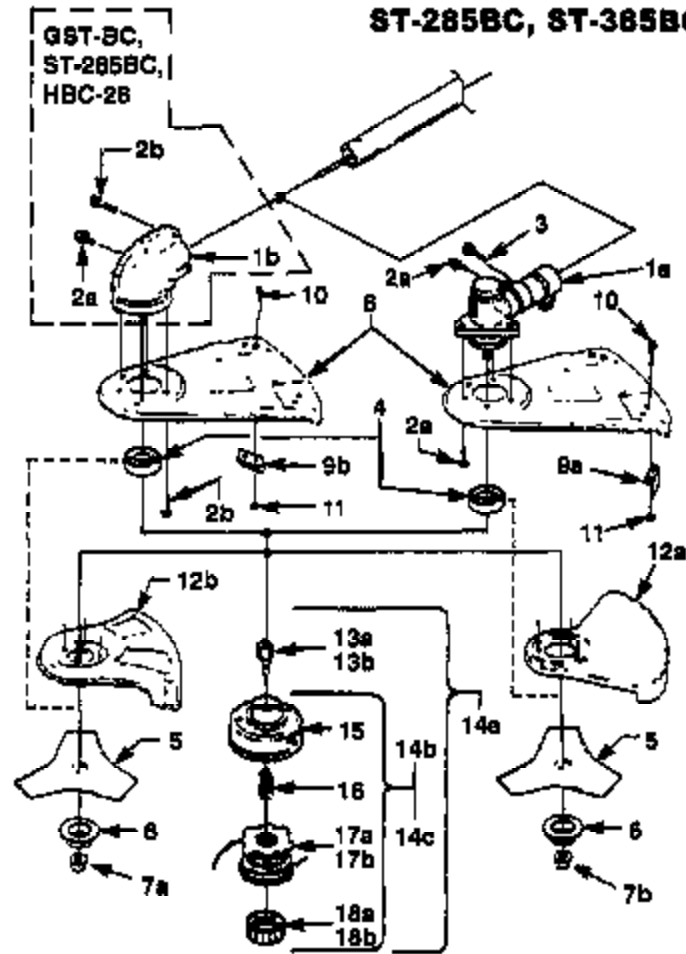
ST-285BC, ST-385BC, GST-BC, HBC-28



ASSEMBLIES

No.	Part No.	Description	Qty
1	DA 92703 C	HARNESStw/Connector (ST385-BC, HBC-28)	1
2	A 00736	HANDLE KIT-Front (ST385-BC, HBC-28)	1
3	00677	NUT-Hex (M5 X0.8)	4
4	00676	SCREW-Hex Hd. (M5 X0.8 X 36)	4
5	A 94442	BRACKET-Hanger (ST385-BC, HBC-28)	1
6	82260	SCREW-Thumb (10-24 X 1/2")	1
7	A 03911 1	HANDLE GRIP ASSEMBLY	1
8	A 99919 A	LEAD-Ground	1
9	A 03912	LEAD-Electrical	1
10	A 03006	THROTTLE CABLE	1
11	82368	SCREW-Plastic (8 X 3/4")	5
12	72084 A.1	NUT-Hex Lock	1
13	95231	PLATE-Indicating	1
14	93653	SWITCH-Toggle	1
16	08833	TRIGGER	1
16	46840	CABLE TIE	1
17a	A 03800 A	HOUSING-Drive Shaft (ST385-BC)	1
18a	04468	DECAL-Starting Instructions	1
19a	04493	DECAL-Safety	1
20a	98832	DRIVE SHAFT	1
17b	A 04863	HOUSING-Drive Shaft (HBC-28, ST285-BC, GST-BC)	1
18b	04468	DECAL-Starting Instructions	1
19b	02985	DECAL-Warning	1
20b	98816	SHAFT-Flexible	1
21	A 07159	J-HANDLE BAR KIT (ST285-BC, GST-BC)	1
22	83009	Washer-Lock	2
23	82278	SCREW-Hex Hd. (1/4-20 X 1/2")	1
24	82496	SCREW-Hex Hd. (1/4-20 X 1")	1
25	00422	CLAMP-Handle Bar	1
26	81242	NUT-Hex (1/4-20)	2
27	84004	WASHER-Flat	2

Item No	Torque Specs		Required Loctite
	In/Lbs	Nm	
11	15-25	1.7-2.8	
23	75-85	8.5-9.5	
24	75-85	8.5-9.5	



No.	Part No.	Description	Qty	No.	Part No.	Description	Qty
1a	A 03886	GEAR HEAD (ST385-BC)	1	12a	98847 2	BLADE GUARD (ST385-BC)	1
1b	A 04836 C	GEAR HEAD (ST285-BC, GST-BC, HBC-28)	1	12b	D4410 1	BLADE GUARD (ST285-BC, GST-BC, HBC-28)	1
2a	88049	SCREW-Hex Hd (10-24 X 1/2")	2	13a	98551 41	SHAFT ADAPTOR (ST385-BC) (L H)	1
2b	82298	SCREW-Hex Hd (10-24 X 5/8") (ST285-BC, GST-BC, HBC-28)	6	13b	D4355	SHAFT ADAPTOR (ST285-BC, GST-BC, HBC-28) (R H)	1
3	96624	SCREW-Socket Hd (10-24 X 1") (ST385-BC)	2	14a	DA 03174 A	STRINGHEAD COMPLETE (ST385-BC) (D95° Line)	1
4	04168 A	WASHER-Flanged	1	14b	DA 04591 A	STRINGHEAD COMPLETE (HBC-28) (D95° Line)	1
5	D 98717 C	BLADE-Ti Alc	1	14c	DA 03001 A	STRINGHEAD COMPLETE (ST285-BC, GST-BC) (D90° Line)	1
6	04409	WASHER-Cupped, Lower	1	15	A 98231 A	HOUSING & EYELET	1
7a	98837	NUT-Hex Locking (R H)	1	16	00713	SPRING-Compression	1
7b	04277	NUT-Hex Locking (L H)	1	17a	DA 02598 C	SPOOL & STRING (ST385-BC, HBC-28)	1
8	A 04682 A	GRASS DEFLECTOR	1	17b	DA 98912 E	SPOOL & STRING (ST285-BC, GST-BC)	1
9a	07076	BLADE-Cut Off	1	18a	DA 97910 C	SPOOL RETAINER (ST385-BC) (L H)	1
9b	00075	BLADE-Cut Off	1	18b	DA 98866 A	SPOOL RETAINER (ST285-BC, GST-BC, HBC-28) (R H)	1
10	80869	SCREW-Mach Hex Hd (10-24 X 3/8")	2				
11	81208	NUT-Hex (10-24)	2				

ASSEMBLY

Torque Specs			
Item No	In/Lbs	Nm	Required Loctite
2a	20-30	2.3-3.4	Red 262
2b	20-30	2.3-3.4	Red 262
10	40-50	4.5-5.6	Red 262

ACCESSORIES

<p>SAW BLADE D 98935 B (ST-185BC, GST-BC, ST-285BC, ST-385BC, HBC-18, HBC-28)</p> <p>GREASE, MULTI-PURPOSE 18483</p> <p>MACHETE BLADE DA 00714 B (ST-185BC, GST-BC, ST-285BC, ST-385BC, HBC-18)</p> <p>THREAD LOCKING COMPOUND 23486 C</p> <p>MODULE AIR GAP SHIM 24306</p> <p>GRASS ANTI-WRAP KIT A 04181 (ST-155, SX-135, ST-175G, HLT-15, GST, HLT-18, HLT-16)</p> <p>IGNITION TEST SPARK PLUG JA 31318 4</p> <p>RUBBER TUBING (10 Ft.) 94772 99</p> <p>STARTER ROPE (250 Ft. Reel) 99052 A</p> <p>ST FASTENER KIT A 04709</p>	<p>REPLACEMENT STRING (3 lb Box) 98011 06 (.080" Dia)</p> <p>REPLACEMENT STRING (3 lb Box) 03950 04 (.095" Dia)</p> <p>TORX BIT (T25) 24982 03 (For Clutch Drums)</p> <p>TORX BIT (T27) 16568 01</p> <p>STRINGHEAD-Complete DA 03001 (.080 Line) (Right Hand Thread) (Black Retainer) (ST-155, SX-135, ST-175G, HLT-15, GST-18, HGT, ST-185BC, ST-275, ST-285BC, GST-BC)</p> <p>STRINGHEAD-Complete DA 08174 (.085 Line) (Left Hand Thread) (Red Retainer) ST-385BC</p> <p>STRINGHEAD-Complete DA 04691 1 (.085 Line) (Right Hand Thread) (Black Retainer) (HLT-18, HLT-16, HBC-18, HLT-28, HBC-28)</p> <p>STRINGHEAD-Complete DA 04892 (.090 Line) (Left Hand Thread) (Red Retainer) (ST-275, ST-285BC, GST-BC)</p>
---	--

CLUTCH MODELS	NON-CLUTCH MODELS	
ST-185BC	ST-155	HLT-15
ST-285BC	SX-135	HLT-16
ST-385BC	ST-175G	HLT-18
GST-BC	ST-275	HLT-28
HBC-18	GST-18	
HBC-28		

CUSTOMER ASSISTANCE
FOR THE LOCATION OF YOUR NEAREST
HOMELITE SERVICING DEALER IN THE
UNITED STATES,
PUERTO RICO, AND THE VIRGIN ISLANDS,
CALL:
1-800-242-4872

HEADQUARTERS
Homelite, Inc.
P.O. BOX 7047
CHARLOTTE, N.C. 28241

OVERSEAS OFFICES

EUROPE, AFRICA & MIDDLE EAST
Homelite International B.V.
A Deere & Company Affiliate
Hemelite 18
3198 GS Noord-Brabant
The Netherlands

FRANCE
Homelite (France) S.A.S.
Groupe Deere & Co
BP 7011
93840 Gagny, Nord-Pas de Calais
France

AUSTRALIA
Homelite Pacific Ltd.
A Deere & Company Affiliate
ACH Bldg 188 508
51 Ruscombe Street
P.O. Box 988 8100
Melbourne VIC 3180
Australia

CANADIAN OFFICES

Homelite Canada Limited
Homelite Canada Limited
A Deere & Company Affiliate /
Une Filiale de Deere & Company
140 Dufferin Avenue
Lebanon, Québec, Canada H4T 1A5
1-800-368-6711

UNIT 215-214, 140 Ebony Place
New Westminister, B.C. V6N 4K7
1-800-467-3128

20-0 Hoysler Court, South
Dorchester, Ontario M9W 5W7
1-800-468-6945

Homelite INC.

A Subsidiary of Deere & Company

07940