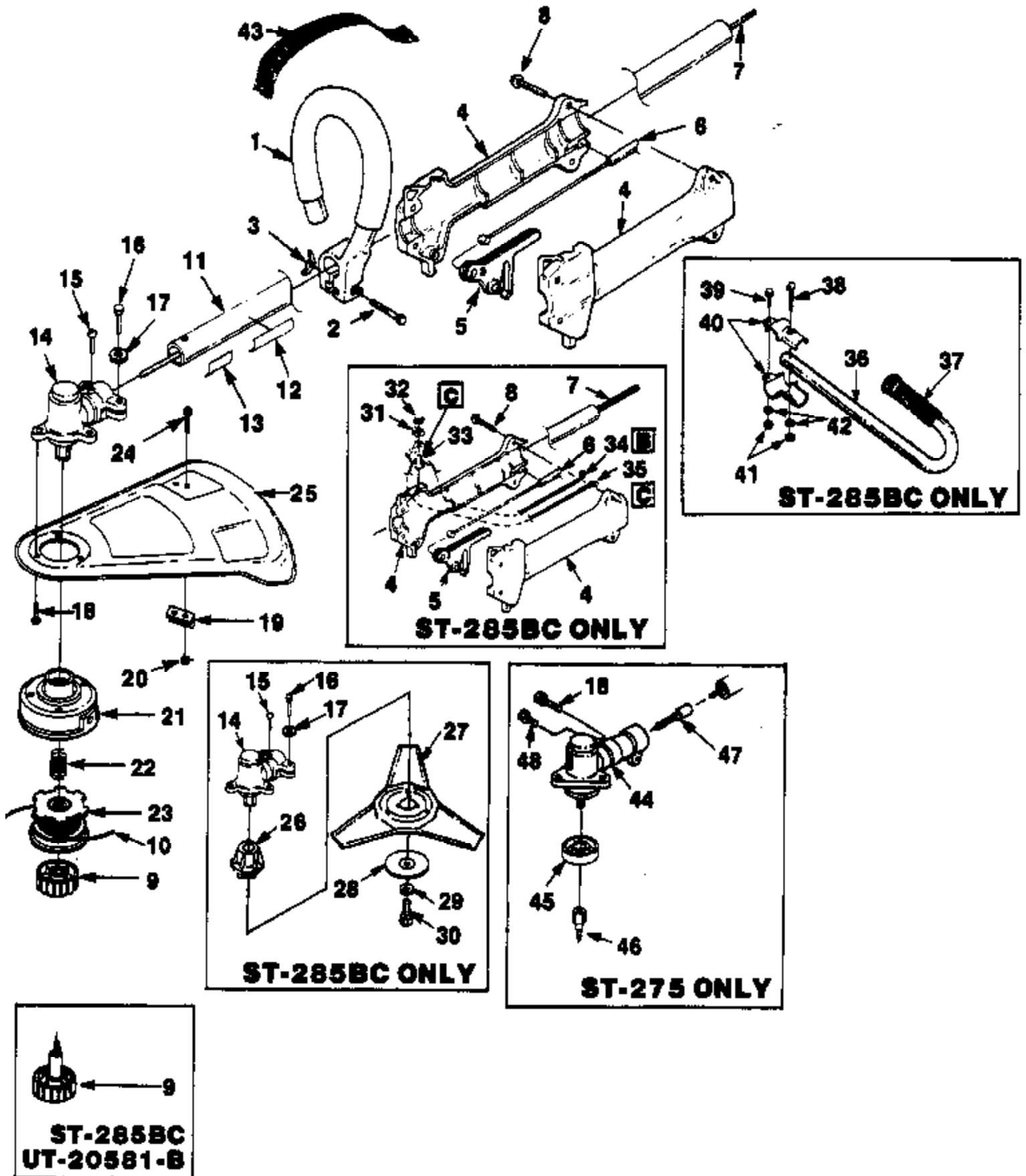


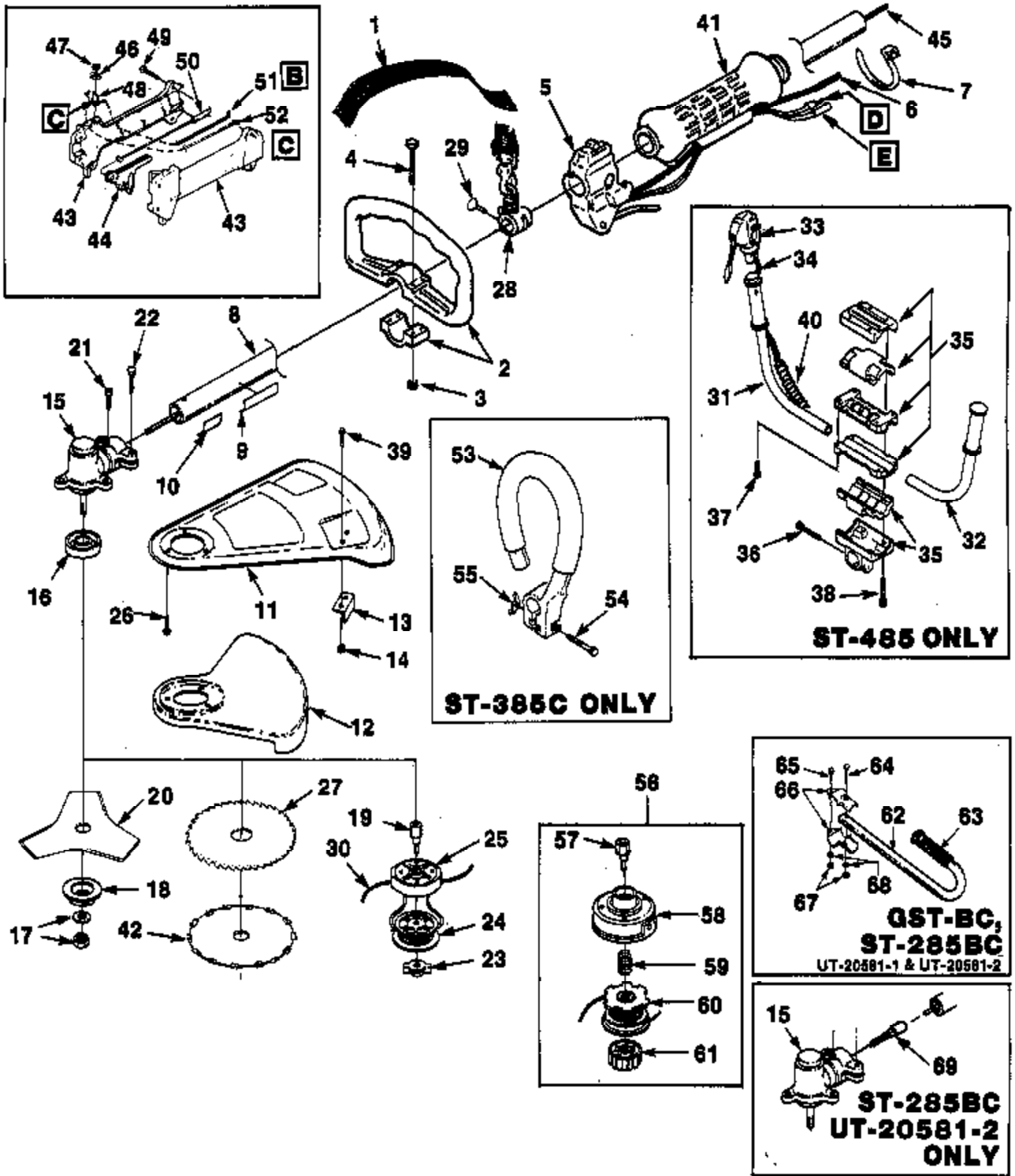
**ACCESSORIES**  
**ACCESSOIRES**  
**TOEGEHOREN**  
**ZUBEHÖR**  
**ACCESSORI**  
**ACCESORIOS**  
**ACESSÓRIOS**

<b>00063</b>	<b>00063</b>	<b>JA-31316-4</b>
<ul style="list-style-type: none"> <li><b>00</b> Holding tool</li> <li><b>F</b> Outil de maintien</li> <li><b>NL</b> Blokkeerpen</li> <li><b>D</b> Haltewerkzeug</li> <li><b>I</b> Attrezzo di bloccaggio</li> <li><b>E</b> Herramienta sujetadora</li> <li><b>P</b> Acessório de suporte</li> </ul>	<ul style="list-style-type: none"> <li><b>00</b> Ignition Test Spark Plug</li> <li><b>F</b> Testeur d'allumage</li> <li><b>NL</b> Bougie voor ontstekingscontrole</li> <li><b>D</b> Testzündkerze für Zündprüfung</li> <li><b>I</b> Candela di collaudo</li> <li><b>E</b> Bujía para probar el encendido</li> <li><b>P</b> Vela de ensaio de ignição</li> </ul>	
<b>18453</b>	<b>94772-09</b>	
<ul style="list-style-type: none"> <li><b>00</b> Grease, Multi-Purpose</li> <li><b>F</b> Graisse universelle</li> <li><b>NL</b> Universeel vet</li> <li><b>D</b> Mehrzweck-Schmiermittel</li> <li><b>I</b> Grasso, multiuso</li> <li><b>E</b> Grasa universal</li> <li><b>P</b> Lubrificante, para fins múltiplos</li> </ul>	<ul style="list-style-type: none"> <li><b>00</b> Rubber Tubing (10 ft) (3,05 m)</li> <li><b>F</b> Tubes en caoutchouc (3,05 m)</li> <li><b>NL</b> Rubber slang (3,05 m)</li> <li><b>D</b> Gummirohr (3,05 m)</li> <li><b>I</b> Dotto di gomma (3,05 m)</li> <li><b>E</b> Tubo de caucho (3,05 m)</li> <li><b>P</b> Tubo de borracha (3,05 m)</li> </ul>	
<b>17789</b>	<b>86052-A</b>	
<ul style="list-style-type: none"> <li><b>00</b> Carburetor Repair Tool</li> <li><b>F</b> Outil de réparation de carburateur</li> <li><b>NL</b> Reparatiegereedschap voor carburateur</li> <li><b>D</b> Vergaser-Reparaturwerkzeug</li> <li><b>I</b> Attrezzo di riparazione del carburatore</li> <li><b>E</b> Herramienta de reparación del carburador</li> <li><b>P</b> Ferramenta de reparação do carburador</li> </ul>	<ul style="list-style-type: none"> <li><b>00</b> Starter Rope (280 ft Reel) (76 m)</li> <li><b>F</b> Cordon de lanceur (bobine de 76 m)</li> <li><b>NL</b> Startkoord (spoel met 76 m)</li> <li><b>D</b> Starterseil (76 m Spule)</li> <li><b>I</b> Corda d'avviamento (bobina de 76 m)</li> <li><b>E</b> Cuerda de arranque (carrete de 76 m)</li> <li><b>P</b> Cabo do arrancador (rolo de 76 m)</li> </ul>	
<b>23488-C</b>	<b>24982-01</b>	
<ul style="list-style-type: none"> <li><b>00</b> Thread Locking Compound</li> <li><b>F</b> Produit de blocage de filetage</li> <li><b>NL</b> Borgmiddel voor schroefdraden</li> <li><b>D</b> Gewinde-Sicherungsmasse</li> <li><b>I</b> Composto di bloccaggio della filettatura</li> <li><b>E</b> Pasta selladora de roscas</li> <li><b>P</b> Composto de retenção de roscas</li> </ul>	<ul style="list-style-type: none"> <li><b>00</b> Torx Drive Bit T25</li> <li><b>F</b> Foret torx</li> <li><b>NL</b> Torx-drijfbit</li> <li><b>D</b> Torx-Antriebsbit</li> <li><b>I</b> Punta Torx Drive</li> <li><b>E</b> Broca de empuje Torx</li> <li><b>P</b> Broca accionadora Torx</li> </ul>	
<b>24309</b>	<b>24982-03</b>	
<ul style="list-style-type: none"> <li><b>00</b> Shim (.125") (3,17 mm)</li> <li><b>F</b> Cale (3,17 mm)</li> <li><b>NL</b> Afstandsbus (3,17 mm)</li> <li><b>D</b> Distanzscheibe (3,17 mm)</li> <li><b>I</b> Spessore (3,17 mm)</li> <li><b>E</b> Suplemento (3,17 mm)</li> <li><b>P</b> Calço (3,17 mm)</li> </ul>	<ul style="list-style-type: none"> <li><b>00</b> Torx Bit (for clutch drum) T25</li> <li><b>F</b> Foret torx (pour tambour d'embrayage)</li> <li><b>NL</b> Torx drijfbit (voor koppelingstrommel)</li> <li><b>D</b> Torx-Antriebsbit (für Kupplungstrommel)</li> <li><b>I</b> Punta Torx Drive (per il tamburo della frizione)</li> <li><b>E</b> Broca de empuje Torx (tambor del embrague)</li> <li><b>P</b> Broca Torx (para o tambor da embreagem)</li> </ul>	
<b>A-04191</b>		
<ul style="list-style-type: none"> <li><b>00</b> Grass Anti Wrap Kit</li> <li><b>F</b> Nécessaire anti-enroulement d'herbe</li> <li><b>NL</b> Apparatie om te voorkomen dat gras zich rond de aandrijf/as wikkelt</li> <li><b>D</b> Graerückhalter</li> <li><b>I</b> Kit antilavvolgimento d'erba</li> <li><b>E</b> Dispositivo contra la acumulación de pasto</li> <li><b>P</b> Dispositivo contra a acumulação de relva</li> </ul>		

Ref #	Part Number	Qty	Description
00063	00063	1	Holding tool
18453	18453	1	Grease, Multi-Purpose
17789	17789	1	Carburetor Repair Tool
23488C	23488C	1	Thread Locking Compound
24306	24306	1	Shim (.125") (3.17 mm)
A-04191	A04191	1	Grass Anti Wrap Kit ST-145, ST-155, ST-175, ST-175C, ST-175BC, HGT, GST
JA313164	JA313164	1	Ignition Test Spark Plug
9477299	9477299	1	Rubber Tubing (10 ft.) (3.05 m)
98052-A	98052A	1	Starter Rope (250 ft. Reel) (76 m)
2498201	2498201	1	Torx Drive Bit T25
24982-03	2498203	1	Torx Bit (for clutch drum) T25



Ref #	Part Number	Qty	Description
1	A98525	1	HANDLE- Front
2	80295	1	SCREW (1/4-20 x 2")
3	93992	1	NUT- Wing
4	A00879	1	HANDLE GRIP ASSEMBLY
5	98772A	1	TRIGGER
6	A03006	1	CABLE- Throttle
7	98818	1	SHAFT- Flexible (ST-285 & ST-285BC)
	04167	1	SHAFT- Flexible (ST-275)
8	82368	5	SCREW- Plastite (#8 x 3/4")
9	A98866A	1	RETAINER- Spool (R.H.) (ST-285)
	A02781	1	RETAINER- Spool (ST-285 BC UT-20581-B)
	A97910	1	RETAINER- Spool (L.H.) (ST-275)
10	DA97952B	1	LINE- Replacement (.080 Dia.) (100 Ft.)
11	A00113B	1	HOUSING- Driveshaft
12	989231	1	DECAL- Starting Instructions
13	00308	1	DECAL- Warning
	A00090	1	HOUSING- Drive shaft (ST-275)
	04154	1	DECAL- Warning
	989231	1	DECAL- Starting Instructions
14	A98859	1	GEAR HEAD ASSEMBLY (ST-285)
	A988591A	1	GEAR HEAD ASSEMBLY (ST-285BC)
15	88048	1	SCREW- (10-24 x 3/8")
16	82521	2	SCREW- (10-24 x 1")
17	83046	2	LOCKWASHER
18	88048	3	SCREW- (10-24 x 3/8")
	88049	4	SCREW- (10-24 x 1/2") (ST 275)
19	00074	1	BLADE- Cut-off (ST-285 & ST-285BC)
	00075	1	BLADE- Cut-off (ST-275)
20	81208	2	NUT (10-24)
21	A98231A	1	HOUSING & EYELET (Dual Line)
22	98848	1	SPRING- Compression
23	DA98912C	1	SPOOL & STRING (Dual Line)
24	80869	2	SCREW (10-24 x 3/8")
25	988461	1	DEFLECTOR- Grass
26	02617	1	ADAPTOR
27	02616	1	BLADE- Weed
28	00580	1	WASHER- Cupped
29	83030	1	WASHER
30	80085	1	SCREW- (5/16-18 x 1")
31	95231	1	PLATE- Indicating
32	72084A1	1	NUT
33	93653	1	SWITCH- Toggle
34	A98918	1	LEAD- Electrical
35	A98919	1	LEAD- Ground
36	A02951	1	"J" HANDLE
37	94474B	1	GRIP
38	88071	1	SCREW- (1/4-20 x 1 1/2")
39	88078	1	SCREW- (1/4-20 x 1")
40	00422	2	CLAMP- Handle bar
41	81267	2	NUT- (1/4-20)
42	83061	2	WASHER (1/4")
43	DA92703B	1	HARNESS w/CONNECTOR
44	A03887	1	GEAR HEAD ASSY. (ST-275)
45	04168	1	WASHER- Flange
46	9855141	1	ADAPTOR- Shaft
47	04256	1	ADAPTOR- Drive
48	82586	1	SCREW- (1/4-20 x 7/8")



Ref #	Part Number	Qty	Description
1	DA92703B	1	HARNESSE w/CONNECTOR
2	A00736	1	HANDLE (ST-385)
3	00677	4	NUT (ST-385)
4	00676	4	SCREW (ST-385)
5	A00738	1	THROTTLE & SWITCH w/Lead (ST-385)
6	A03004	1	THROTTLE CABLE (ST-385 & ST-385C)
7	46840	3	CABLE- Tie
8	A00114	1	HOUSING- Drive Shaft (ST-385, ST-385C, ST-485)
9	989241	1	DECAL- Starting Instructions
10	02985	1	DECAL- Warning
	A034881	1	HOUSING- Drive Shaft (GST-BC & ST-285BC UT20581-1)
	989241	1	DECAL- Starting Instructions
	02985	1	DECAL- Warning
	A94442	1	BRACKET- Hanger (See #28)
	82260	1	SCREW- Thumb (See #29)
	98832	1	SHAFT- Drive (See #45)
	A00187	1	HOUSING- Drive Shaft (ST-285BC, UT-20581-2)
	989241	1	DECAL- Starting Instructions
	02985	1	DECAL- Warning
	04167	1	SHAFT- Flexible (See #45)
11	988461	1	DEFLECTOR- Grass
12	988472	1	GUARD- Blade
13	00075	1	BLADE- Cut-off
14	81208	2	NUT (10-24)
15	A03887	1	GEAR HEAD ASSEMBLY
16	0043606	1	WASHER- Flange
17	04277	1	NUT- Hex (L.H.)
18	04259	1	WASHER- Flange
19	00490	1	CONNECTOR- Drive
20	D98717A	1	TRI-ARC BLADE
21	88049	1	SCREW (10-24 x 1/2")
22	88053	2	SCREW (10-24 x 1")
23	812721	1	NUT- (L.H.)
24	DA02598A	1	SPOOL & STRING (Dual Line)
	DA98912B	1	SPOOL & STRING (Dual Line) (GST-BC & ST-275BC)
25	A00144	1	HOUSING & EYELET
26	88049	3	SCREW (10-24 x 1/2")
27	D98935A	1	BLADE- Saw (optional)
28	A94442	1	BRACKET- Hanger
29	82260	1	SCREW (10-24 x 1/2")
30	0395903	1	LINE- Replacement (.095 Dia.) 1 lb. Box (250 Ft.)
	DA97952B	1	LINE- Replacement (.080 Dia.) (100 Ft.) (GST-BC & ST-285BC)
31	A00590	1	HANDLE BAR (ST-485)
32	A00591	1	HANDLE BAR (ST-485)
33	A00593	1	THROTTLE & SWITCH w/lead (ST-485)
34	A03005	1	THROTTLE CABLE (ST-485)
35	A00592	1	HANDLE BRACKET (ST-485)
36	00605	1	SCREW
37	00606	4	SCREW
38	00607	4	SCREW
39	80869	2	SCREW (10-24 x 3/8")
40	00684	1	SLEEVING- Plastic (ST-485)
41	03234	1	GRIP- Handle
42	DA00714A	1	BLADE- Saw 7" Machete (optional)
43	A00879	1	HANDLE GRIP ASSEMBLY
44	98772A	1	TRIGGER

Ref #	Part Number	Qty	Description
45	98832	1	DRIVE SHAFT (Solid)
	04167	1	SHAFT- Flexible (ST-285BC, UT-20581-2)
46	95231	1	PLATE- Indicating
47	72084A1	1	NUT-
48	93653	1	SWITCH- Toggle
49	82368	4	SCREW- Plastite (#8 x 3/4")
50	A03006	1	CABLE- Throttle
51	A98918	1	LEAD- Electrical
52	A98919	1	LEAD- Ground
53	A98525	1	HANDLE & PAD (ST-385C)
54	80295	1	SCREW- Hex hd. (ST-385C)
55	93992	1	NUT- Wing (ST-385)
56	A03174	1	CONVERSION KIT
57	9855141	1	CONNECTOR- Drive (ST-385BC & ST-485)
58	A98231A	1	HOUSING & EYELET (ST-385C & ST-485)
59	98848	1	SPRING- Compression (ST-385C & ST-485)
60	DA02598A	1	SPOOL & STRING (ST-385C & ST-485)
61	A97910A	1	RETAINER (ST-385C & ST-485)
62	A03552	1	HANDLE-"J" (GST-BC & ST-285BC)
63	94474B	1	GRIP (GST-BC & ST-285BC)
64	88071	1	SCREW(1/4-20 x 1 1/2") (GST-BC & ST-285BC)
65	88078	1	SCREW (1/4-20 x 1") (GST-BC & ST-285BC)
66	00422	2	CLAMP- Handle bar (GST-BC & ST-285BC)
67	81267	2	NUT (1/4-20) (GST-BC & ST-285BC)
68	83061	2	WASHER (1/4") (GST-BC & ST-285BC)
69	04256	1	ADAPTOR (ST-285BC, UT-20581-2)

**EN CARBURETOR**  
**FR CARBURATEUR**  
**NL CARBURATEUR**  
**D VERGASER**  
**I CARBURATORE**  
**E CARBURADOR**  
**P CARBURADOR**

- EN ZAMA ..... A-03003**
- FR Repair Kit ..... A-03978**
- FR Jeu de réparation**
- NL Reparatieset**
- D Reparatursatz**
- I Kit per riparazioni**
- E Juego de reparación**
- P Jogo de reparação**

- EN Gasket/Diaphragm Kit ..... A-03980**
- FR Jeu joint/diaphragme**
- NL Pakking/membraan set**
- D Dichtung/Membrane-Satz**
- I Kit diaframma/guarnizione**
- E Conjunto junta/diafragma**
- P Jogo de juntas vedantes/diafragmas**

- EN Primer Bulb ..... A-01185-A**
- FR Bouton d'amorçage**
- NL Voorinspuitspomp**
- D Vorpumpe**
- I Cicchetto**
- E Bulbo cebador**
- P Bolha da unidade de escorvagem**

- EN Primer Base\* (Aluminum) ..... A-01184**
- Primer Base\* (Plastic) ..... A-03062**
- FR Base d'amorçage\* (aluminium)**
- Base d'amorçage\* (plastique)**
- NL Voorinspuit-sokkel\* (aluminium)**
- Voorinspuit-sokkel\* (plastic)**
- D Vorpumpen-Sockel\* (Aluminium)**
- Vorpumpen-Sockel\* (Plastik)**
- I Base del cicchetto\* (alluminio)**
- Base del cicchetto\* (plastico)**
- E Base de cebador\* (aluminio)**
- Base de cebador\* (plástico)**
- P Base da unidade de escorvagem\* (Alumínio)**
- Base da unidade de escorvagem\* (Plástico)**

- EN \*Primer Base kits are not interchangeable.**
- FR \*Les jeux de base d'amorçage ne sont pas interchangeables.**
- NL \*Sokkel-sets voor voorinspuiten zijn niet verwisselbaar.**
- D \*Sockelätze für die Vorpumpe sind nicht austauschbar.**
- I \*I kit della base del cicchetto non sono intercambiabili.**
- E \*Los juegos de base de cebador no son intercambiables.**
- P \*Os jogos de base da unidade de escorvagem não são intercambiáveis.**

- EN Swivel Kit ..... A-00289**
- FR Jeu de pivots**
- NL Zwenkset**
- D Drehzapfen-Satz**
- I Serie di ingranaggi giravoli**
- E Juego de enganche giratorio**
- P Jogo da rótula**

- EN WALBRO ..... A-03002**
- FR Repair Kit ..... A-02685**
- FR Jeu de réparation**
- NL Reparatieset**
- D Reparatursatz**
- I Kit di riparazione**
- E Juego de reparación**
- P Jogo de reparação**

- EN Gasket/Diaphragm Kit ..... A-00285-A**
- FR Jeu joint/diaphragme**
- NL Pakking/membraan set**
- D Dichtung/Membrane-Satz**
- I Kit diaframma/guarnizione**
- E Conjunto junta/diafragma**
- P Jogo de juntas vedantes/diafragmas**

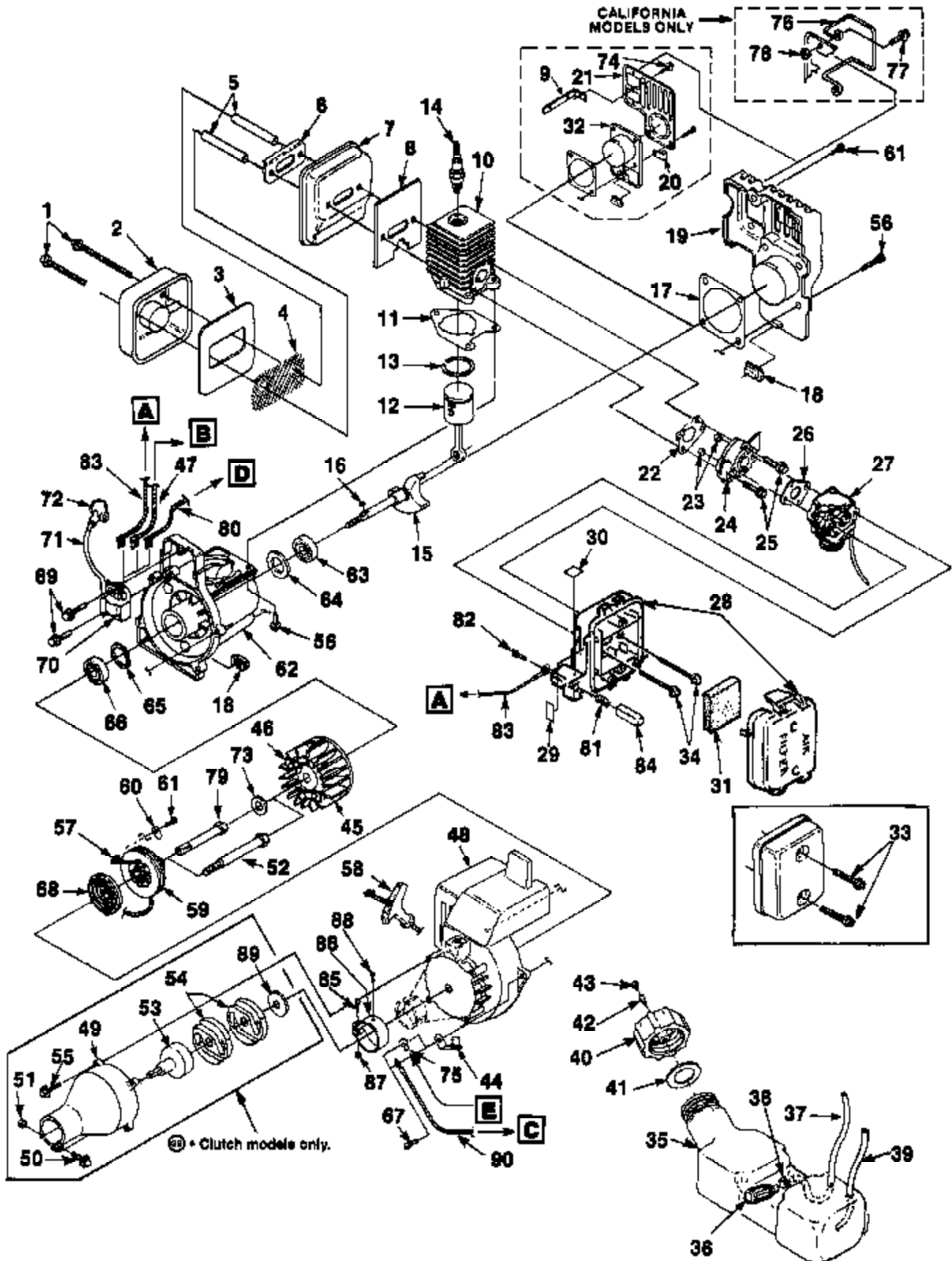
- EN Swivel Kit ..... A-00289**
- FR Jeu de pivots**
- NL Zwenkset**
- D Drehzapfen-Satz**
- I Serie di ingranaggi giravoli**
- E Juego de enganche giratorio**
- P Jogo da rótula**

- EN Primer Bulb ..... 01201**
- FR Bouton d'amorçage**
- NL Voorinspuitspomp**
- D Vorpumpe**
- I Cicchetto**
- E Bulbo cebador**
- P Bolha da unidade de escorvagem**

- EN Primer Base\* ..... A-01200-A**
- FR Base d'amorçage\***
- NL Voorinspuit-sokkel\***
- D Vorpumpen-Sockel\***
- I Base del cicchetto\***
- E Base de cebador\***
- P Base da unidade de escorvagem\***



Ref #	Part Number	Qty	Description
A-03003	A03003	1	ZAMA
A-03979	A03979	1	Repair Kit
A-03980	A03980	1	Gasket/Diaphragm Kit
A-01195-A	A01195A	1	Primer Bulb
A-01194	A01194	1	Primer Base (Aluminum) Primer Base kits are not interchangeable.
A-03062	A03062	1	Primer Base (Plastic) Primer Base kits are not interchangeable.
A-00289	A00289	1	Swivel Kit
A-03002	A03002	1	WALBRO
A-02665	A02665	1	Repair Kit
A00285A	A00285A	1	Gasket/Diaphragm Kit
A-00289	A00289	1	Swivel Kit
01201	01201	1	Primer Bulb
A-01200-A	A01200A	1	Primer Base



Ref #	Part Number	Qty	Description
1	88060	2	SCREW- (10-24 x 2 1/2")
2	A98780	1	COVER- Muffler
3	98782	1	BAFFLE- Muffler
4	98784A	1	SCREEN- Spark
5	98860A	2	SPACER- Muffler
6	98783	1	PLATE- Reinforcing
7	A01323	1	BODY- Muffler
8	98786B	1	GASKET- Muffler
9	00179	1	BRACKET-
10	A00108	1	CYLINDER
11	03703A	1	CYLINDER- Gasket
12	A01036A	1	PISTON & ROD ASSEMBLY
13	96935	1	RING- Piston
14	96169S	1	SPARK PLUG (DJ7Y)
	79252	1	SPARK PLUG (RDJ7Y) (Int'l)
15	987582	1	CRANKSHAFT (Model 145 & 155)
	987583	1	CRANKSHAFT (Models 175,175C,175BC,185,185C,285,275,285BC,385,385C,
16	69250	1	KEY- Woodruff
17	98767A	1	GASKET- Crankcase cover
18	98792	3	BUMPER- Rubber
19	01023B	1	COVER- Crankcase
20	98752	1	CLAMP
21	98934	1	SHIELD
22	98765B	1	GASKET- Heat dam
23	81208	2	NUT (10-24)
24	98768	1	HEAT DAM
25	825491	2	SCREW- Taptite (10-24 x 1")
26	98766A	1	GASKET- Carburetor
27	A03003	1	CARBURETOR- (Zama)
	A03002	1	CARBURETOR- (Walbro)
28	A01440A	1	AIR FILTER BOX
29	00772	1	DECAL- Choke, Run
30	98943	1	DECAL- Push-Hold
31	D98760A	1	FILTER- Air
32	98754B	1	COVER- Crankcase
33	82368	2	SCREW- Plastite (8 x 3/4")
34	82542	2	SCREW (10-24 x 2 1/4")
35	A01441	1	TANK- Fuel
36	49422	1	FILTER- Fuel
37	9477232	1	TUBING- Rubber (8")
38	98268	1	WIRE CLAMP
39	0143932	1	TUBING- Rubber (8")
40	A00982A	1	FUEL CAP ASSEMBLY
41	98805A	1	GASKET- Fuel cap
42	03134	1	VALVE- Duckbill
43	98913	1	FILTER-Cap
44	A98808	1	BRACKET-Cable
45	A95007	1	ROTOR
46	A70285E	1	KIT- Starter pawl
47	A98918	1	LEAD- Electrical (Models 175BC,185,185C,285BC,385-UT-15040&UT10540-A,
48	A02576B	1	HOUSING- Engine (Clutch Models Only)
	A02575	1	HOUSING- Engine (Non-Clutch Models)
49	A02396A	1	TUBE ADAPTOR
50	88054	1	SCREW (10-24 x 1 1/4")
51	81208	1	NUT(10-24)

Ref #	Part Number	Qty	Description
52	01547	1	ADAPTOR- Clutch (Clutch Models Only)
53	A02727	1	CONNECTOR & DRUM
54	00242	2	CLUTCH
55	88052	4	SCREW (10-24 x 7/8")
56	82538	3	SCREW (10-24 x 3/4")
57	9789902	1	ROPE- Starter (42")
58	02264	1	GRIP- Starter
59	98770	1	PULLEY- Starter
60	98791	1	BRACKET- Retaining
61	82541	2	SCREW- Plastite (10 x 1/2")
62	A00107A	1	CRANKCASE ASSEMBLY
63	98797	1	BEARING- Ball
64	98800	1	SEAL
65	98799	1	RING- Retaining
66	98798	1	BALL- Bearing
67	82538	5	SCREW- Taptite (10-24 x 3/4")
68	A98773	1	SPRING & CONTAINER
69	82540	2	SCREW- Taptite (8-32 x 1")
70	94711CS	1	MODULE- Ignition
71	69326	1	LEAD- High-Tension
72	A33055	1	TERMINAL- High-Tension
73	84065	1	WASHER- Flat (5/16") (Non-Clutch Models)
74	88077	1	SCREW- Hex sems (10-24 x 3/8")
75	02851	1	TERMINAL (Models 385--UT15040B, UT15040C, & UT15040D) (Model 485)
76	A00254	1	WIRE GUARD KIT (California Models Only)
77	88049	2	SCREW- Hex sems (10-24 x 1/2")
78	81208	2	NUT- (10-24)
79	98795A	1	CONNECTOR- Drive (Non Clutch Models)
80	A00681	1	LEAD- Electrical (Model 385--UT15040B, UT15040C, UT15040D & Model 485)
81	95020	1	SPRING- Compression
82	82513	1	SCREW- Thread Forming
83	A98809	1	LEAD- Electrical (Models 145, 155, 175, 175C, 285, HGT & GST)
84	98769	1	BUTTON- Switch
85	82268	1	SCREW- Hex sems (10-24 x 3/8")
86	98802A	1	CLAMP
87	97574	1	NUT- Square
88	82455	1	SCREW
89	98929A	1	WASHER- Clutch
90	A98919	1	LEAD- Ground (Models 185 & 385--UT15040 & UT15040A)