

ACCESSORIES
ACCESSOIRES
TOEBEHOREN
ZUBEHÖR
ACCESSORI
ACCESORIOS
ACESSÓRIOS

00063	00063	JA-31316-4
Ⓜ Holding tool	Ⓜ Ignition Test Spark Plug	
Ⓜ Outil de maintien	Ⓜ Testeur d'allumage	
Ⓜ Blokkeerpen	Ⓜ Bougie voor ontstekingscontrole	
Ⓜ Haltewerkzeug	Ⓜ Testzündkerze für Zündprüfung	
Ⓜ Attrezzo di bloccaggio	Ⓜ Candela di collaudo	
Ⓜ Herramienta sujetadora	Ⓜ Bujía para probar el encendido	
Ⓜ Acessório de suporte	Ⓜ Vela de ensaio de ignição	
18453	94772-09	
Ⓜ Grease, Multi-Purpose	Ⓜ Rubber Tubing (10 ft) (3,05 m)	
Ⓜ Graisse universelle	Ⓜ Tubes en caoutchouc (3,05 m)	
Ⓜ Universeel vet	Ⓜ Rubber slang (3,05 m)	
Ⓜ Mehrzweck-Schmiermittel	Ⓜ Gummirohr (3,05 m)	
Ⓜ Grasso, multiuso	Ⓜ Dotto di gomma (3,05 m)	
Ⓜ Grasa universal	Ⓜ Tubo de caucho (3,05 m)	
Ⓜ Lubrificante, para fins múltiplos	Ⓜ Tubo de borracha (3,05 m)	
17789	86052-A	
Ⓜ Carburetor Repair Tool	Ⓜ Starter Rope (280 ft Reel) (76 m)	
Ⓜ Outil de réparation de carburateur	Ⓜ Cordon de lanceur (bobine de 76 m)	
Ⓜ Reparatiegereedschap voor carburateur	Ⓜ Startkoord (spoel met 76 m)	
Ⓜ Vergaser-Reparaturwerkzeug	Ⓜ Starterseli (76 m Spule)	
Ⓜ Attrezzo di riparazione del carburatore	Ⓜ Corda d'avviamento (bobina de 76 m)	
Ⓜ Herramienta de reparación del carburador	Ⓜ Cuerda de arranque (carrete de 76 m)	
Ⓜ Ferramenta de reparação do carburador	Ⓜ Cabo do arrancador (rolo de 76 m)	
23488-C	24982-01	
Ⓜ Thread Locking Compound	Ⓜ Torx Drive Bit T25	
Ⓜ Produit de blocage de filetage	Ⓜ Foret torx	
Ⓜ Borgmiddel voor schroefdraden	Ⓜ Torx-drijfbit	
Ⓜ Gewinde-Sicherungsmasse	Ⓜ Torx-Antriebsbit	
Ⓜ Composto di bloccaggio della filettatura	Ⓜ Punta Torx Drive	
Ⓜ Pasta selladora de roscas	Ⓜ Broca de empuxe Torx	
Ⓜ Composto de retenção de roscas	Ⓜ Broca accionadora Torx	
24309	24982-03	
Ⓜ Shim (.125") (3,17 mm)	Ⓜ Torx Bit (for clutch drum) T25	
Ⓜ Cale (3,17 mm)	Ⓜ Foret torx (pour tambour d'embrayage)	
Ⓜ Afstandsbus (3,17 mm)	Ⓜ Torx drijfbit (voor koppelingstrommel)	
Ⓜ Distanzscheibe (3,17 mm)	Ⓜ Torx-Antriebsbit (für Kupplungstrommel)	
Ⓜ Spessore (3,17 mm)	Ⓜ Punta Torx Drive (per il tamburo della frizione)	
Ⓜ Suplemento (3,17 mm)	Ⓜ Broca de empuxe Torx (tambor del embrague)	
Ⓜ Calço (3,17 mm)	Ⓜ Broca Torx (para o tambor da embreagem)	
A-04191		
Ⓜ Grass Anti Wrap Kit		
Ⓜ Nécessaire anti-enroulement d'herbe		
Ⓜ Apparaatje om te voorkomen dat gras zich rond de aandrijf/as wikkelt		
Ⓜ Graerückhalter		
Ⓜ Kit antilavvoigmento d'erba		
Ⓜ Dispositivo contra la acumulación de pasto		
Ⓜ Dispositivo contra a acumulação de relva		

Ref #	Part Number	Qty	Description
00063	00063	1	Holding tool
18453	18453	1	Grease, Multi-Purpose
17789	17789	1	Carburetor Repair Tool
23488C	23488C	1	Thread Locking Compound
24306	24306	1	Shim (.125") (3.17 mm)
A-04191	A04191	1	Grass Anti Wrap Kit ST-145, ST-155, ST-175, ST-175C, ST-175BC, HGT, GST
JA313164	JA313164	1	Ignition Test Spark Plug
9477299	9477299	1	Rubber Tubing (10 ft.) (3.05 m)
98052-A	98052A	1	Starter Rope (250 ft. Reel) (76 m)
2498201	2498201	1	Torx Drive Bit T25
24982-03	2498203	1	Torx Bit (for clutch drum) T25

EN CARBURETOR
FR CARBURATEUR
DE CARBURATEUR
IT VERGASER
ES CARBURATORE
PT CARBURADOR
RU CARBURADOR

- EN ZAMA A-03003**
- FR Repair Kit A-03978**
- DE** Jeu de réparation
- IT** Reparatieset
- ES** Reparatursatz
- RU** Kit per riparazioni
- FR** Juego de reparación
- PT** Jogo de reparação

- EN Gasket/Diaphragm Kit A-03980**
- FR** Jeu joint/diaphragme
- DE** Packring/membraan set
- IT** Dichtung/Membrane-Satz
- ES** Kit diafragma/guarnizione
- PT** Conjunto junta/diafragma
- RU** Jogo de juntas vedantes/diafragmas

- EN Primer Bulb A-01185-A**
- FR** Bouton d'amorçage
- DE** Voorinspuitspomp
- IT** Vorpumpe
- ES** Ciochetto
- PT** Bulbo cebador
- RU** Болта da unidade de escorvagem

- EN Primer Base* (Aluminum) A-01184**
- FR Primer Base* (Plastic) A-03062**
- DE** Base d'amorçage* (aluminium)
- IT** Base d'amorçage* (plastique)
- ES** Voorinspuit-sokkel* (aluminium)
- PT** Voorinspuit-sokkel* (plastic)
- RU** Vorpumpen-Sockel* (Aluminium)
- FR** Vorpumpen-Sockel* (Plastik)
- DE** Base del ciochetto* (aluminio)
- IT** Base del ciochetto* (plastica)
- ES** Base de cebador* (aluminio)
- PT** Base de cebador* (plástico)
- RU** Base da unidade de escorvagem* (Alumínio)
- FR** Base da unidade de escorvagem* (Plástico)

- EN** *Primer Base kits are not interchangeable.
- FR** *Les jeux de base d'amorçage ne sont pas interchangeables.
- DE** *Sokkel-satz voor voorinspuiten zijn niet verwisselbaar.
- IT** *Sockettsätze für die Vorpumpe sind nicht austauschbar.
- ES** *I kit della base del ciochetto non sono intercambiabili.
- PT** *Los juegos de base de cebador no son intercambiables.
- RU** *Os jogos de base da unidade de escorvagem não são intercambiáveis.

- EN Swivel Kit A-00289**
- FR** Jeu de pivots
- DE** Zwenkset
- IT** Drehzapfen-Satz
- ES** Serie di ingranaggi giravoli
- PT** Juego de enganche giratorio
- RU** Jogo da rótula

- EN WALBRO A-03002**
- FR Repair Kit A-02685**
- DE** Jeu de réparation
- IT** Reparatieset
- ES** Reparatursatz
- RU** Kit di riparazione
- FR** Juego de reparación
- PT** Jogo de reparação

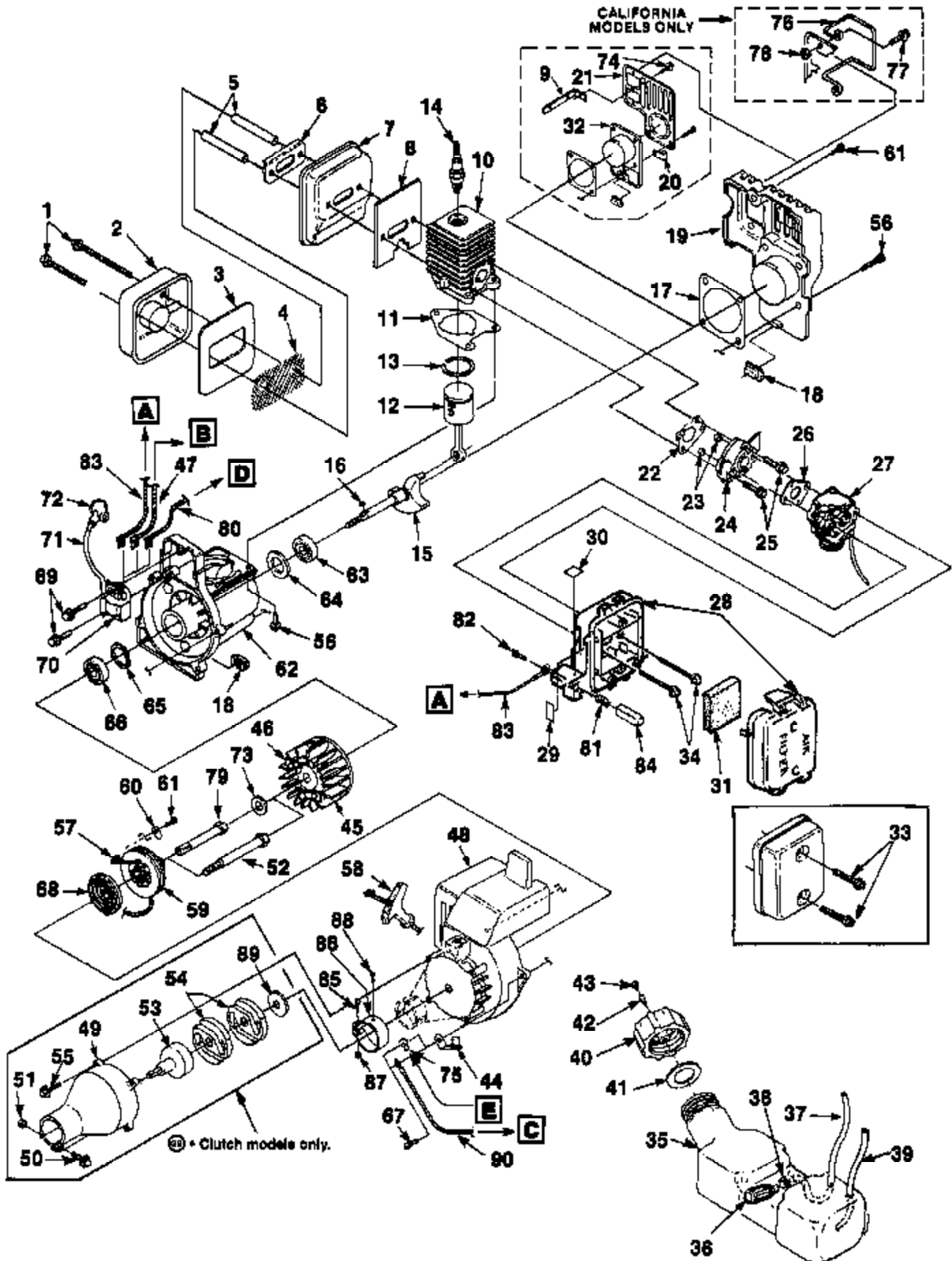
- EN Gasket/Diaphragm Kit A-00285-A**
- FR** Jeu joint/diaphragme
- DE** Packring/membraan set
- IT** Dichtung/Membrane-Satz
- ES** Kit diafragma/guarnizione
- PT** Conjunto junta/diafragma
- RU** Jogo de juntas vedantes/diafragmas

- EN Swivel Kit A-00289**
- FR** Jeu de pivots
- DE** Zwenkset
- IT** Drehzapfen-Satz
- ES** Serie di ingranaggi giravoli
- PT** Juego de enganche giratorio
- RU** Jogo da rótula

- EN Primer Bulb 01201**
- FR** Bouton d'amorçage
- DE** Voorinspuitspomp
- IT** Vorpumpe
- ES** Ciochetto
- PT** Bulbo cebador
- RU** Bolta da unidade de escorvagem

- EN Primer Base* A-01200-A**
- FR** Base d'amorçage*
- DE** Voorinspuit-sokkel*
- IT** Vorpumpen-Sockel*
- ES** Base del ciochetto*
- PT** Base de cebador*
- RU** Base da unidade de escorvagem*

Ref #	Part Number	Qty	Description
A-03003	A03003	1	ZAMA
A-03979	A03979	1	Repair Kit
A-03980	A03980	1	Gasket/Diaphragm Kit
A-01195-A	A01195A	1	Primer Bulb
A-01194	A01194	1	Primer Base (Aluminum) Primer Base kits are not interchangeable.
A-03062	A03062	1	Primer Base (Plastic) Primer Base kits are not interchangeable.
A-00289	A00289	1	Swivel Kit
A-03002	A03002	1	WALBRO
A-02665	A02665	1	Repair Kit
A00285A	A00285A	1	Gasket/Diaphragm Kit
A-00289	A00289	1	Swivel Kit
01201	01201	1	Primer Bulb
A-01200-A	A01200A	1	Primer Base



Ref #	Part Number	Qty	Description
1	88060	2	SCREW- (10-24 x 2 1/2")
2	A98780	1	COVER- Muffler
3	98782	1	BAFFLE- Muffler
4	98784A	1	SCREEN- Spark
5	98860A	2	SPACER- Muffler
6	98783	1	PLATE- Reinforcing
7	A01323	1	BODY- Muffler
8	98786B	1	GASKET- Muffler
9	00179	1	BRACKET-
10	A00108	1	CYLINDER
11	03703A	1	CYLINDER- Gasket
12	A01036A	1	PISTON & ROD ASSEMBLY
13	96935	1	RING- Piston
14	96169S	1	SPARK PLUG (DJ7Y)
	79252	1	SPARK PLUG (RDJ7Y) (Int'l)
15	987582	1	CRANKSHAFT (Model 145 & 155)
	987583	1	CRANKSHAFT (Models 175,175C,175BC,185,185C,285,275,285BC,385,385C,
16	69250	1	KEY- Woodruff
17	98767A	1	GASKET- Crankcase cover
18	98792	3	BUMPER- Rubber
19	01023B	1	COVER- Crankcase
20	98752	1	CLAMP
21	98934	1	SHIELD
22	98765B	1	GASKET- Heat dam
23	81208	2	NUT (10-24)
24	98768	1	HEAT DAM
25	825491	2	SCREW- Taptite (10-24 x 1")
26	98766A	1	GASKET- Carburetor
27	A03003	1	CARBURETOR- (Zama)
	A03002	1	CARBURETOR- (Walbro)
28	A01440A	1	AIR FILTER BOX
29	00772	1	DECAL- Choke, Run
30	98943	1	DECAL- Push-Hold
31	D98760A	1	FILTER- Air
32	98754B	1	COVER- Crankcase
33	82368	2	SCREW- Plastite (8 x 3/4")
34	82542	2	SCREW (10-24 x 2 1/4")
35	A01441	1	TANK- Fuel
36	49422	1	FILTER- Fuel
37	9477232	1	TUBING- Rubber (8")
38	98268	1	WIRE CLAMP
39	0143932	1	TUBING- Rubber (8")
40	A00982A	1	FUEL CAP ASSEMBLY
41	98805A	1	GASKET- Fuel cap
42	03134	1	VALVE- Duckbill
43	98913	1	FILTER-Cap
44	A98808	1	BRACKET-Cable
45	A95007	1	ROTOR
46	A70285E	1	KIT- Starter pawl
47	A98918	1	LEAD- Electrical (Models 175BC,185,185C,285BC,385-UT-15040&UT10540-A,
48	A02576B	1	HOUSING- Engine (Clutch Models Only)
	A02575	1	HOUSING- Engine (Non-Clutch Models)
49	A02396A	1	TUBE ADAPTOR
50	88054	1	SCREW (10-24 x 1 1/4")
51	81208	1	NUT(10-24)

Ref #	Part Number	Qty	Description
52	01547	1	ADAPTOR- Clutch (Clutch Models Only)
53	A02727	1	CONNECTOR & DRUM
54	00242	2	CLUTCH
55	88052	4	SCREW (10-24 x 7/8")
56	82538	3	SCREW (10-24 x 3/4")
57	9789902	1	ROPE- Starter (42")
58	02264	1	GRIP- Starter
59	98770	1	PULLEY- Starter
60	98791	1	BRACKET- Retaining
61	82541	2	SCREW- Plastite (10 x 1/2")
62	A00107A	1	CRANKCASE ASSEMBLY
63	98797	1	BEARING- Ball
64	98800	1	SEAL
65	98799	1	RING- Retaining
66	98798	1	BALL- Bearing
67	82538	5	SCREW- Taptite (10-24 x 3/4")
68	A98773	1	SPRING & CONTAINER
69	82540	2	SCREW- Taptite (8-32 x 1")
70	94711CS	1	MODULE- Ignition
71	69326	1	LEAD- High-Tension
72	A33055	1	TERMINAL- High-Tension
73	84065	1	WASHER- Flat (5/16") (Non-Clutch Models)
74	88077	1	SCREW- Hex sems (10-24 x 3/8")
75	02851	1	TERMINAL (Models 385--UT15040B, UT15040C, & UT15040D) (Model 485)
76	A00254	1	WIRE GUARD KIT (California Models Only)
77	88049	2	SCREW- Hex sems (10-24 x 1/2")
78	81208	2	NUT- (10-24)
79	98795A	1	CONNECTOR- Drive (Non Clutch Models)
80	A00681	1	LEAD- Electrical (Model 385--UT15040B, UT15040C, UT15040D & Model 485)
81	95020	1	SPRING- Compression
82	82513	1	SCREW- Thread Forming
83	A98809	1	LEAD- Electrical (Models 145, 155, 175, 175C, 285, HGT & GST)
84	98769	1	BUTTON- Switch
85	82268	1	SCREW- Hex sems (10-24 x 3/8")
86	98802A	1	CLAMP
87	97574	1	NUT- Square
88	82455	1	SCREW
89	98929A	1	WASHER- Clutch
90	A98919	1	LEAD- Ground (Models 185 & 385--UT15040 & UT15040A)