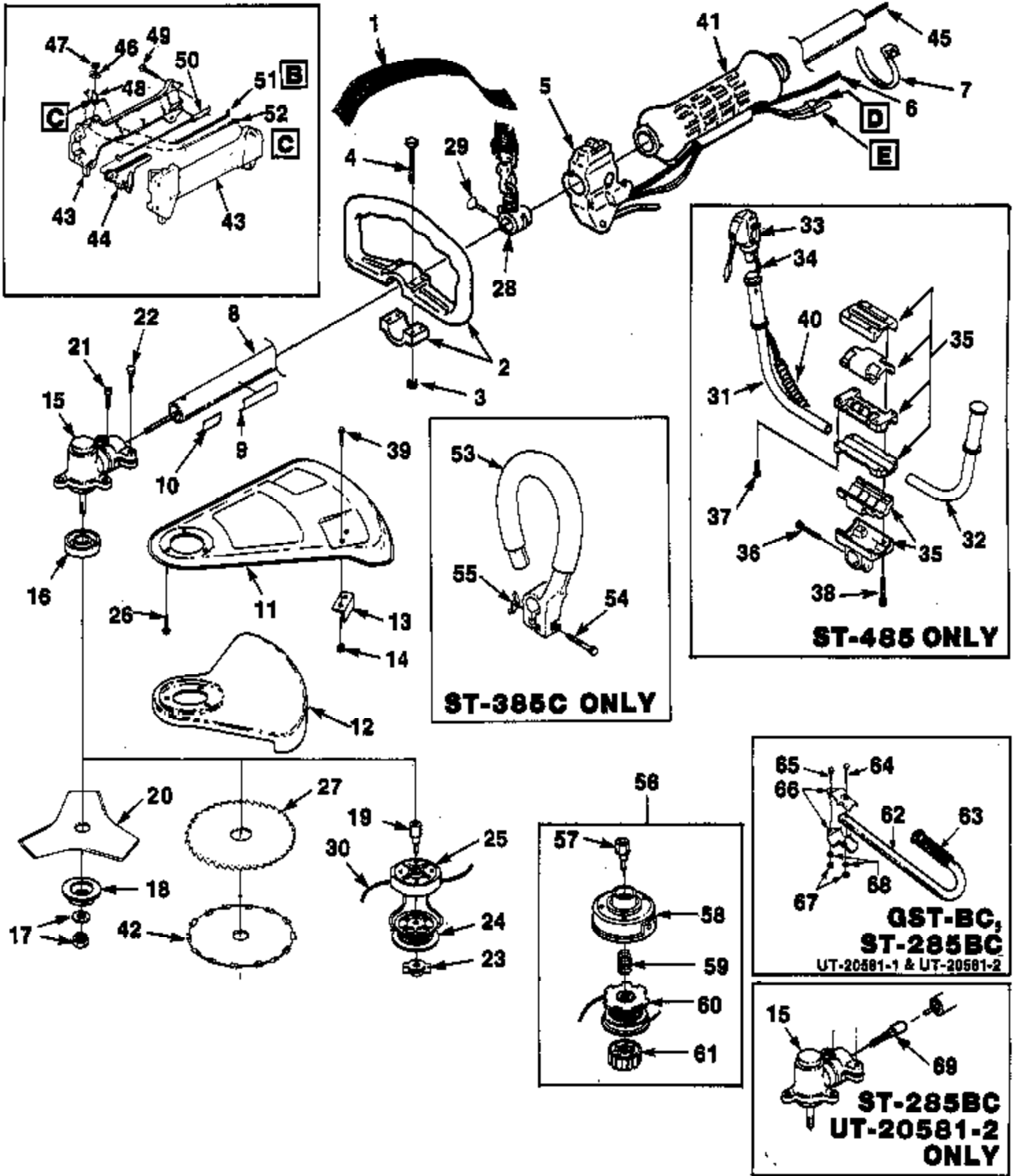


ACCESSORIES
ACCESSOIRES
TOEGEHOREN
ZUBEHÖR
ACCESSORI
ACCESORIOS
ACESSÓRIOS

<p>00063 Holding tool 00063 P Outil de maintien NL Blokkeerpen D Haltewerkzeug I Attrezzo di bloccaggio E Herramienta sujetadora P Acessório de suporte</p>	<p>JA-31316-4 Ignition Test Spark Plug JA-31316-4 P Testeur d'allumage NL Bougie voor ontstekingscontrole D Testzündkerze für Zündprüfung I Candela di collaudo E Bujía para probar el encendido P Vela de ensaio de ignição</p>
<p>18453 Grease, Multi-Purpose 18453 P Graisse universelle NL Universeel vet D Mehrzweck-Schmiermittel I Grasso, multiuso E Grasa universal P Lubrificante, para fins múltiplos</p>	<p>94772-99 Rubber Tubing (10 ft) (3,05 m) 94772-99 P Tubes en caoutchouc (3,05 m) NL Rubber slang (3,05 m) D Gummirohr (3,05 m) I Dotto di gomma (3,05 m) E Tubo de caucho (3,05 m) P Tubo de borracha (3,05 m)</p>
<p>17789 Carburetor Repair Tool 17789 P Outil de réparation de carburateur NL Reparatiegereedschap voor carburateur D Vergaser-Reparaturwerkzeug I Attrezzo di riparazione del carburatore E Herramienta de reparación del carburador P Ferramenta de reparação do carburador</p>	<p>86052-A Starter Rope (280 ft Reel) (76 m) 86052-A P Cordon de lanceur (bobine de 76 m) NL Startkoord (spoel met 76 m) D Starterseil (76 m Spule) I Corda d'avviamento (bobina de 76 m) E Cuerda de arranque (carrete de 76 m) P Cabo do arrancador (rolo de 76 m)</p>
<p>23488-C Thread Locking Compound 23488-C P Produit de blocage de filetage NL Borgmiddel voor schroefdraden D Gewinde-Sicherungsmasse I Composto di bloccaggio della filettatura E Pasta selladora de roscas P Composto de retenção de roscas</p>	<p>24982-01 Torx Drive Bit T25 24982-01 P Foret torx NL Torx-drijfbit D Torx-Antriebsbit I Punta Torx Drive E Broca de empuje Torx P Broca accionadora Torx</p>
<p>24309 Shim (.125") (3,17 mm) 24309 P Cale (3,17 mm) NL Afstandsbus (3,17 mm) D Distanzscheibe (3,17 mm) I Spessore (3,17 mm) E Suplemento (3,17 mm) P Calço (3,17 mm)</p>	<p>24982-03 Torx Bit (for clutch drum) T25 24982-03 P Foret torx (pour tambour d'embrayage) NL Torx drijfbit (voor koppelingstrommel) D Torx-Antriebsbit (für Kupplungstrommel) I Punta Torx Drive (per il tamburo della frizione) E Broca de empuje Torx (tambor del embrague) P Broca Torx (para o tambor da embreagem)</p>
<p>A-04191 Grass Anti Wrap Kit A-04191 P Nécessaire anti-enroulement d'herbe NL Apparatuur om te voorkomen dat gras zich rond de aandrijf/as wikkelt D Graerückhalter I Kit antilavvolgimento d'erba E Dispositivo contra la acumulación de pasto P Dispositivo contra a acumulação de relva</p>	

Ref #	Part Number	Qty	Description
00063	00063	1	Holding tool
18453	18453	1	Grease, Multi-Purpose
17789	17789	1	Carburetor Repair Tool
23488C	23488C	1	Thread Locking Compound
24306	24306	1	Shim (.125") (3.17 mm)
A-04191	A04191	1	Grass Anti Wrap Kit ST-145, ST-155, ST-175, ST-175C, ST-175BC, HGT, GST
JA313164	JA313164	1	Ignition Test Spark Plug
9477299	9477299	1	Rubber Tubing (10 ft.) (3.05 m)
98052-A	98052A	1	Starter Rope (250 ft. Reel) (76 m)
2498201	2498201	1	Torx Drive Bit T25
24982-03	2498203	1	Torx Bit (for clutch drum) T25



Ref #	Part Number	Qty	Description
1	DA92703B	1	HARNESSE w/CONNECTOR
2	A00736	1	HANDLE (ST-385)
3	00677	4	NUT (ST-385)
4	00676	4	SCREW (ST-385)
5	A00738	1	THROTTLE & SWITCH w/Lead (ST-385)
6	A03004	1	THROTTLE CABLE (ST-385 & ST-385C)
7	46840	3	CABLE- Tie
8	A00114	1	HOUSING- Drive Shaft (ST-385, ST-385C, ST-485)
9	989241	1	DECAL- Starting Instructions
10	02985	1	DECAL- Warning
	A034881	1	HOUSING- Drive Shaft (GST-BC & ST-285BC UT20581-1)
	989241	1	DECAL- Starting Instructions
	02985	1	DECAL- Warning
	A94442	1	BRACKET- Hanger (See #28)
	82260	1	SCREW- Thumb (See #29)
	98832	1	SHAFT- Drive (See #45)
	A00187	1	HOUSING- Drive Shaft (ST-285BC, UT-20581-2)
	989241	1	DECAL- Starting Instructions
	02985	1	DECAL- Warning
	04167	1	SHAFT- Flexible (See #45)
11	988461	1	DEFLECTOR- Grass
12	988472	1	GUARD- Blade
13	00075	1	BLADE- Cut-off
14	81208	2	NUT (10-24)
15	A03887	1	GEAR HEAD ASSEMBLY
16	0043606	1	WASHER- Flange
17	04277	1	NUT- Hex (L.H.)
18	04259	1	WASHER- Flange
19	00490	1	CONNECTOR- Drive
20	D98717A	1	TRI-ARC BLADE
21	88049	1	SCREW (10-24 x 1/2")
22	88053	2	SCREW (10-24 x 1")
23	812721	1	NUT- (L.H.)
24	DA02598A	1	SPOOL & STRING (Dual Line)
	DA98912B	1	SPOOL & STRING (Dual Line) (GST-BC & ST-275BC)
25	A00144	1	HOUSING & EYELET
26	88049	3	SCREW (10-24 x 1/2")
27	D98935A	1	BLADE- Saw (optional)
28	A94442	1	BRACKET- Hanger
29	82260	1	SCREW (10-24 x 1/2")
30	0395903	1	LINE- Replacement (.095 Dia.) 1 lb. Box (250 Ft.)
	DA97952B	1	LINE- Replacement (.080 Dia.) (100 Ft.) (GST-BC & ST-285BC)
31	A00590	1	HANDLE BAR (ST-485)
32	A00591	1	HANDLE BAR (ST-485)
33	A00593	1	THROTTLE & SWITCH w/lead (ST-485)
34	A03005	1	THROTTLE CABLE (ST-485)
35	A00592	1	HANDLE BRACKET (ST-485)
36	00605	1	SCREW
37	00606	4	SCREW
38	00607	4	SCREW
39	80869	2	SCREW (10-24 x 3/8")
40	00684	1	SLEEVING- Plastic (ST-485)
41	03234	1	GRIP- Handle
42	DA00714A	1	BLADE- Saw 7" Machete (optional)
43	A00879	1	HANDLE GRIP ASSEMBLY
44	98772A	1	TRIGGER

Ref #	Part Number	Qty	Description
45	98832	1	DRIVE SHAFT (Solid)
	04167	1	SHAFT- Flexible (ST-285BC, UT-20581-2)
46	95231	1	PLATE- Indicating
47	72084A1	1	NUT-
48	93653	1	SWITCH- Toggle
49	82368	4	SCREW- Plastite (#8 x 3/4")
50	A03006	1	CABLE- Throttle
51	A98918	1	LEAD- Electrical
52	A98919	1	LEAD- Ground
53	A98525	1	HANDLE & PAD (ST-385C)
54	80295	1	SCREW- Hex hd. (ST-385C)
55	93992	1	NUT- Wing (ST-385)
56	A03174	1	CONVERSION KIT
57	9855141	1	CONNECTOR- Drive (ST-385BC & ST-485)
58	A98231A	1	HOUSING & EYELET (ST-385C & ST-485)
59	98848	1	SPRING- Compression (ST-385C & ST-485)
60	DA02598A	1	SPOOL & STRING (ST-385C & ST-485)
61	A97910A	1	RETAINER (ST-385C & ST-485)
62	A03552	1	HANDLE-"J" (GST-BC & ST-285BC)
63	94474B	1	GRIP (GST-BC & ST-285BC)
64	88071	1	SCREW(1/4-20 x 1 1/2") (GST-BC & ST-285BC)
65	88078	1	SCREW (1/4-20 x 1") (GST-BC & ST-285BC)
66	00422	2	CLAMP- Handle bar (GST-BC & ST-285BC)
67	81267	2	NUT (1/4-20) (GST-BC & ST-285BC)
68	83061	2	WASHER (1/4") (GST-BC & ST-285BC)
69	04256	1	ADAPTOR (ST-285BC, UT-20581-2)

EN CARBURETOR
FR CARBURATEUR
DE CARBURATEUR
IT VERGASER
ES CARBURATORE
PT CARBURADOR
RU CARBURADOR

EN ZAMA A-03003
FR Repair Kit A-03078
FR Jeu de réparation
DE Reparatieset
DE Reparatursatz
IT Kit per riparazioni
ES Juego de reparación
PT Jogo de reparação

EN Gasket/Diaphragm Kit A-03080
FR Jeu joint/diaphragme
DE Packring/membraan set
DE Dichtung/Membrane-Satz
IT Kit diaframma/guarnizione
ES Conjunto junta/diafragma
PT Jogo de juntas vedantes/diafragmas

EN Primer Bulb A-01185-A
FR Bouton d'amorçage
DE Voorinspuitpomp
DE Vorpumpe
IT Cicchetto
ES Bulbo cebador
PT Bolha da unidade de escorvagem

EN Primer Base* (Aluminum) A-01184
EN Primer Base* (Plastic) A-03062
FR Base d'amorçage* (aluminium)
FR Base d'amorçage* (plastique)
DE Voorinspuit-sokkel* (aluminium)
DE Voorinspuit-sokkel* (plastic)
DE Vorpumpen-Sockel* (Aluminium)
DE Vorpumpen-Sockel* (Plastik)
IT Base del cicchetto* (alluminio)
IT Base del cicchetto* (plastica)
ES Base de cebador* (aluminio)
ES Base de cebador* (plástico)
PT Base da unidade de escorvagem* (Alumínio)
PT Base da unidade de escorvagem* (Plástico)

EN *Primer Base kits are not interchangeable.
FR *Les jeux de base d'amorçage ne sont pas interchangeables.
DE *Sokkel-satz voor voorinspuiten zijn niet verwisselbaar.
DE *Sockelsätze für die Vorpumpe sind nicht austauschbar.
IT *I kit della base del cicchetto non sono intercambiabili.
ES *Los juegos de base de cebador no son intercambiables.
PT *Os jogos de base da unidade de escorvagem não são intercambiáveis.

EN Swivel Kit A-00289
FR Jeu de pivots
DE Zwenkset
DE Drehzapfen-Satz
IT Serie di ingranaggi giravoli
ES Juego de enganche giratorio
PT Jogo de rótula

EN WALBRO A-03002
FR Repair Kit A-02065
FR Jeu de réparation
DE Reparatieset
DE Reparatursatz
IT Kit di riparazione
ES Juego de reparación
PT Jogo de reparação

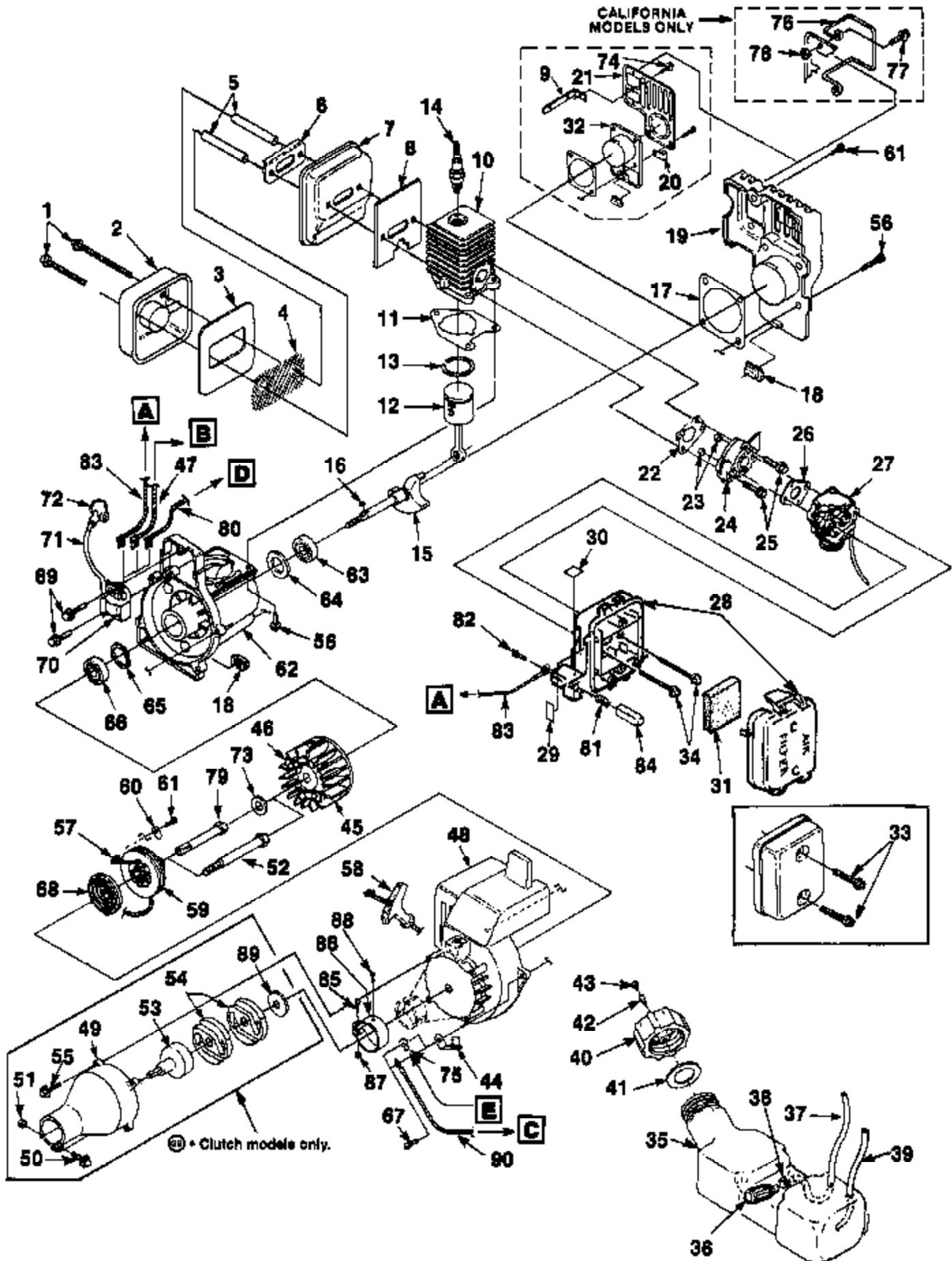
EN Gasket/Diaphragm Kit A-00285-A
FR Jeu joint/diaphragme
DE Packring/membraan set
DE Dichtung/Membrane-Satz
IT Kit diaframma/guarnizione
ES Conjunto junta/diafragma
PT Jogo de juntas vedantes/diafragmas

EN Swivel Kit A-00289
FR Jeu de pivots
DE Zwenkset
DE Drehzapfen-Satz
IT Serie di ingranaggi giravoli
ES Juego de enganche giratorio
PT Jogo de rótula

EN Primer Bulb 01201
FR Bouton d'amorçage
DE Voorinspuitpomp
DE Vorpumpe
IT Cicchetto
ES Bulbo cebador
PT Bolha da unidade de escorvagem

EN Primer Base* A-01200-A
FR Base d'amorçage*
DE Voorinspuit-sokkel*
DE Vorpumpen-Sockel*
IT Base del cicchetto*
ES Base de cebador*
PT Base da unidade de escorvagem*

Ref #	Part Number	Qty	Description
A-03003	A03003	1	ZAMA
A-03979	A03979	1	Repair Kit
A-03980	A03980	1	Gasket/Diaphragm Kit
A-01195-A	A01195A	1	Primer Bulb
A-01194	A01194	1	Primer Base (Aluminum) Primer Base kits are not interchangeable.
A-03062	A03062	1	Primer Base (Plastic) Primer Base kits are not interchangeable.
A-00289	A00289	1	Swivel Kit
A-03002	A03002	1	WALBRO
A-02665	A02665	1	Repair Kit
A00285A	A00285A	1	Gasket/Diaphragm Kit
A-00289	A00289	1	Swivel Kit
01201	01201	1	Primer Bulb
A-01200-A	A01200A	1	Primer Base



Ref #	Part Number	Qty	Description
1	88060	2	SCREW- (10-24 x 2 1/2")
2	A98780	1	COVER- Muffler
3	98782	1	BAFFLE- Muffler
4	98784A	1	SCREEN- Spark
5	98860A	2	SPACER- Muffler
6	98783	1	PLATE- Reinforcing
7	A01323	1	BODY- Muffler
8	98786B	1	GASKET- Muffler
9	00179	1	BRACKET-
10	A00108	1	CYLINDER
11	03703A	1	CYLINDER- Gasket
12	A01036A	1	PISTON & ROD ASSEMBLY
13	96935	1	RING- Piston
14	96169S	1	SPARK PLUG (DJ7Y)
	79252	1	SPARK PLUG (RDJ7Y) (Int'l)
15	987582	1	CRANKSHAFT (Model 145 & 155)
	987583	1	CRANKSHAFT (Models 175,175C,175BC,185,185C,285,275,285BC,385,385C,
16	69250	1	KEY- Woodruff
17	98767A	1	GASKET- Crankcase cover
18	98792	3	BUMPER- Rubber
19	01023B	1	COVER- Crankcase
20	98752	1	CLAMP
21	98934	1	SHIELD
22	98765B	1	GASKET- Heat dam
23	81208	2	NUT (10-24)
24	98768	1	HEAT DAM
25	825491	2	SCREW- Taptite (10-24 x 1")
26	98766A	1	GASKET- Carburetor
27	A03003	1	CARBURETOR- (Zama)
	A03002	1	CARBURETOR- (Walbro)
28	A01440A	1	AIR FILTER BOX
29	00772	1	DECAL- Choke, Run
30	98943	1	DECAL- Push-Hold
31	D98760A	1	FILTER- Air
32	98754B	1	COVER- Crankcase
33	82368	2	SCREW- Plastite (8 x 3/4")
34	82542	2	SCREW (10-24 x 2 1/4")
35	A01441	1	TANK- Fuel
36	49422	1	FILTER- Fuel
37	9477232	1	TUBING- Rubber (8")
38	98268	1	WIRE CLAMP
39	0143932	1	TUBING- Rubber (8")
40	A00982A	1	FUEL CAP ASSEMBLY
41	98805A	1	GASKET- Fuel cap
42	03134	1	VALVE- Duckbill
43	98913	1	FILTER-Cap
44	A98808	1	BRACKET-Cable
45	A95007	1	ROTOR
46	A70285E	1	KIT- Starter pawl
47	A98918	1	LEAD- Electrical (Models 175BC,185,185C,285BC,385-UT-15040&UT10540-A,
48	A02576B	1	HOUSING- Engine (Clutch Models Only)
	A02575	1	HOUSING- Engine (Non-Clutch Models)
49	A02396A	1	TUBE ADAPTOR
50	88054	1	SCREW (10-24 x 1 1/4")
51	81208	1	NUT(10-24)

Ref #	Part Number	Qty	Description
52	01547	1	ADAPTOR- Clutch (Clutch Models Only)
53	A02727	1	CONNECTOR & DRUM
54	00242	2	CLUTCH
55	88052	4	SCREW (10-24 x 7/8")
56	82538	3	SCREW (10-24 x 3/4")
57	9789902	1	ROPE- Starter (42")
58	02264	1	GRIP- Starter
59	98770	1	PULLEY- Starter
60	98791	1	BRACKET- Retaining
61	82541	2	SCREW- Plastite (10 x 1/2")
62	A00107A	1	CRANKCASE ASSEMBLY
63	98797	1	BEARING- Ball
64	98800	1	SEAL
65	98799	1	RING- Retaining
66	98798	1	BALL- Bearing
67	82538	5	SCREW- Taptite (10-24 x 3/4")
68	A98773	1	SPRING & CONTAINER
69	82540	2	SCREW- Taptite (8-32 x 1")
70	94711CS	1	MODULE- Ignition
71	69326	1	LEAD- High-Tension
72	A33055	1	TERMINAL- High-Tension
73	84065	1	WASHER- Flat (5/16") (Non-Clutch Models)
74	88077	1	SCREW- Hex sems (10-24 x 3/8")
75	02851	1	TERMINAL (Models 385--UT15040B, UT15040C, & UT15040D) (Model 485)
76	A00254	1	WIRE GUARD KIT (California Models Only)
77	88049	2	SCREW- Hex sems (10-24 x 1/2")
78	81208	2	NUT- (10-24)
79	98795A	1	CONNECTOR- Drive (Non Clutch Models)
80	A00681	1	LEAD- Electrical (Model 385--UT15040B, UT15040C, UT15040D & Model 485)
81	95020	1	SPRING- Compression
82	82513	1	SCREW- Thread Forming
83	A98809	1	LEAD- Electrical (Models 145, 155, 175, 175C, 285, HGT & GST)
84	98769	1	BUTTON- Switch
85	82268	1	SCREW- Hex sems (10-24 x 3/8")
86	98802A	1	CLAMP
87	97574	1	NUT- Square
88	82455	1	SCREW
89	98929A	1	WASHER- Clutch
90	A98919	1	LEAD- Ground (Models 185 & 385--UT15040 & UT15040A)