

ACCESSORIES
ACCESSOIRES
TOEBEHOREN
ZUBEHÖR
ACCESSORI
ACCESORIOS
ACESSÓRIOS

| | | |
|--|--|-------------------|
| 00063 | 00063 | JA-31316-4 |
| 00063 Holding tool | 00063 Ignition Test Spark Plug | JA-31316-4 |
| 00063 Outil de maintien | 00063 Testeur d'allumage | |
| 00063 Blokkeerpen | 00063 Bougie voor ontstekingscontrole | |
| 00063 Haltewerkzeug | 00063 Testzündkerze für Zündprüfung | |
| 00063 Attrezzo di bloccaggio | 00063 Candela di collaudo | |
| 00063 Herramienta sujetadora | 00063 Bujía para probar el encendido | |
| 00063 Acessório de suporte | 00063 Vela de ensaio de ignição | |
| 18453 | 94772-00 | |
| 18453 Grease, Multi-Purpose | 94772-00 Rubber Tubing (10 ft) (3,05 m) | |
| 18453 Graisse universelle | 94772-00 Tubes en caoutchouc (3,05 m) | |
| 18453 Universeel vet | 94772-00 Rubber slang (3,05 m) | |
| 18453 Mehrzweck-Schmiermittel | 94772-00 Gummirohr (3,05 m) | |
| 18453 Grasso, multiuso | 94772-00 Dotto di gomma (3,05 m) | |
| 18453 Grasa universal | 94772-00 Tubo de caucho (3,05 m) | |
| 18453 Lubrificante, para fins múltiplos | 94772-00 Tubo de borracha (3,05 m) | |
| 17789 | 86052-A | |
| 17789 Carburetor Repair Tool | 86052-A Starter Rope (280 ft Reel) (76 m) | |
| 17789 Outil de réparation de carburateur | 86052-A Cordon de lanceur (bobine de 76 m) | |
| 17789 Reparatiegereedschap voor carburateur | 86052-A Startkoord (spoel met 76 m) | |
| 17789 Vergaser-Reparaturwerkzeug | 86052-A Starterseli (76 m Spule) | |
| 17789 Attrezzo di riparazione del carburatore | 86052-A Corda d'avviamento (bobina de 76 m) | |
| 17789 Herramienta de reparación del carburador | 86052-A Cuerda de arranque (carrete de 76 m) | |
| 17789 Ferramenta de reparação do carburador | 86052-A Cabo do arrancador (rolo de 76 m) | |
| 23488-C | 24982-01 | |
| 23488-C Thread Locking Compound | 24982-01 Torx Drive Bit T25 | |
| 23488-C Produit de blocage de filetage | 24982-01 Foret torx | |
| 23488-C Borgmiddel voor schroefdraden | 24982-01 Torx-drijfbit | |
| 23488-C Gewinde-Sicherungsmasse | 24982-01 Torx-Antriebsbit | |
| 23488-C Composto di bloccaggio della filettatura | 24982-01 Punta Torx Drive | |
| 23488-C Pasta selladora de roscas | 24982-01 Broca de empuje Torx | |
| 23488-C Composto de retenção de roscas | 24982-01 Broca accionadora Torx | |
| 24309 | 24982-03 | |
| 24309 Shim (.125") (3,17 mm) | 24982-03 Torx Bit (for clutch drum) T25 | |
| 24309 Cale (3,17 mm) | 24982-03 Foret torx (pour tambour d'embrayage) | |
| 24309 Afstandsbus (3,17 mm) | 24982-03 Torx drijfbit (voor koppelingstrommel) | |
| 24309 Distanzscheibe (3,17 mm) | 24982-03 Torx-Antriebsbit (für Kupplungstrommel) | |
| 24309 Spessore (3,17 mm) | 24982-03 Punta Torx Drive (per il tamburo della frizione) | |
| 24309 Suplemento (3,17 mm) | 24982-03 Broca de empuje Torx (tambor del embrague) | |
| 24309 Calço (3,17 mm) | 24982-03 Broca Torx (para o tambor da embreagem) | |
| A-04191 | | |
| A-04191 Grease Anti Wrap Kit | | |
| A-04191 Nécessaire anti-enroulement d'herbe | | |
| A-04191 Apparatie om te voorkomen dat gras zich rond de aandrijf/as wikkekt | | |
| A-04191 Graerückhalter | | |
| A-04191 Kit antilavvoigmento d'erba | | |
| A-04191 Dispositivo contra la acumulación de pasto | | |
| A-04191 Dispositivo contra a acumulação de relva | | |

| Ref # | Part Number | Qty | Description |
|----------|-------------|-----|---|
| 00063 | 00063 | 1 | Holding tool |
| 18453 | 18453 | 1 | Grease, Multi-Purpose |
| 17789 | 17789 | 1 | Carburetor Repair Tool |
| 23488C | 23488C | 1 | Thread Locking Compound |
| 24306 | 24306 | 1 | Shim (.125") (3.17 mm) |
| A-04191 | A04191 | 1 | Grass Anti Wrap Kit ST-145, ST-155, ST-175, ST-175C, ST-175BC, HGT, GST |
| JA313164 | JA313164 | 1 | Ignition Test Spark Plug |
| 9477299 | 9477299 | 1 | Rubber Tubing (10 ft.) (3.05 m) |
| 98052-A | 98052A | 1 | Starter Rope (250 ft. Reel) (76 m) |
| 2498201 | 2498201 | 1 | Torx Drive Bit T25 |
| 24982-03 | 2498203 | 1 | Torx Bit (for clutch drum) T25 |

EN CARBURETOR
FR CARBURATEUR
DE CARBURATEUR
IT VERGASER
ES CARBURATORE
PT CARBURADOR
RU CARBURADOR

- EN ZAMA A-03003**
- FR Repair Kit A-03978**
- FR** Jeu de réparation
- DE** Reparatieset
- DE** Reparatursatz
- IT** Kit per riparazioni
- ES** Juego de reparación
- PT** Jogo de reparação

- EN Gasket/Diaphragm Kit A-03980**
- FR** Jeu joint/diaphragme
- DE** Packring/membraan set
- DE** Dichtung/Membrane-Satz
- IT** Kit diaframma/guarnizione
- ES** Conjunto junta/diafragma
- PT** Jogo de juntas vedantes/diafragmas

- EN Primer Bulb A-01185-A**
- FR** Bouton d'amorçage
- DE** Voorinspuitspomp
- DE** Vorpumpe
- IT** Cicchetto
- ES** Bulbo cebador
- PT** Bolha da unidade de escorvagem

- EN Primer Base* (Aluminum) A-01184**
- EN Primer Base* (Plastic) A-03062**
- FR** Base d'amorçage* (aluminium)
- FR** Base d'amorçage* (plastique)
- DE** Voorinspuit-sokkel* (aluminium)
- DE** Voorinspuit-sokkel* (plastic)
- DE** Vorpumpen-Sockel* (Aluminium)
- DE** Vorpumpen-Sockel* (Plastik)
- IT** Base del cicchetto* (alluminio)
- IT** Base del cicchetto* (plastica)
- ES** Base de cebador* (aluminio)
- ES** Base de cebador* (plástico)
- PT** Base da unidade de escorvagem* (Alumínio)
- PT** Base da unidade de escorvagem* (Plástico)

- EN** *Primer Base kits are not interchangeable.
- FR** *Les jeux de base d'amorçage ne sont pas interchangeables.
- DE** *Sokkel-satz voor voorinspuiten zijn niet verwisselbaar.
- DE** *Sockelsätze für die Vorpumpe sind nicht austauschbar.
- IT** *I kit della base del cicchetto non sono intercambiabili.
- ES** *Los juegos de base de cebador no son intercambiables.
- PT** *Os jogos de base da unidade de escorvagem não são intercambiáveis.

- EN Swivel Kit A-00289**
- FR** Jeu de pivots
- DE** Zwenkset
- DE** Drehzapfen-Satz
- IT** Serie di ingranaggi giravoli
- ES** Juego de enganche giratorio
- PT** Jogo de rótula

- EN WALBRO A-03002**
- FR** Repair Kit A-02685
- FR** Jeu de réparation
- DE** Reparatieset
- DE** Reparatursatz
- IT** Kit di riparazione
- ES** Juego de reparación
- PT** Jogo de reparação

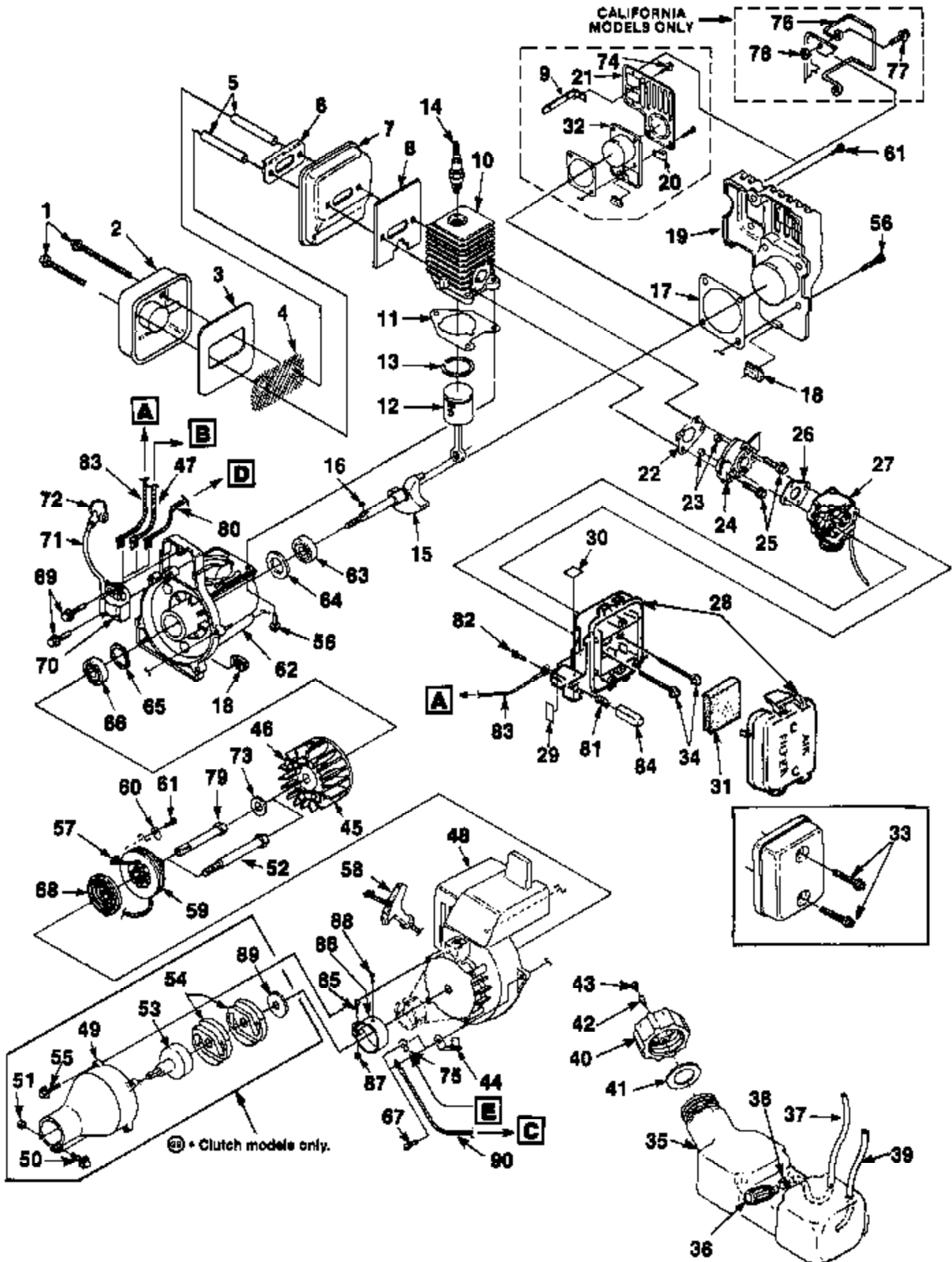
- EN Gasket/Diaphragm Kit A-00285-A**
- FR** Jeu joint/diaphragme
- DE** Packring/membraan set
- DE** Dichtung/Membrane-Satz
- IT** Kit diaframma/guarnizione
- ES** Conjunto junta/diafragma
- PT** Jogo de juntas vedantes/diafragmas

- EN Swivel Kit A-00289**
- FR** Jeu de pivots
- DE** Zwenkset
- DE** Drehzapfen-Satz
- IT** Serie di ingranaggi giravoli
- ES** Juego de enganche giratorio
- PT** Jogo de rótula

- EN Primer Bulb 01201**
- FR** Bouton d'amorçage
- DE** Voorinspuitspomp
- DE** Vorpumpe
- IT** Cicchetto
- ES** Bulbo cebador
- PT** Bolha da unidade de escorvagem

- EN Primer Base* A-01200-A**
- FR** Base d'amorçage*
- DE** Voorinspuit-sokkel*
- DE** Vorpumpen-Sockel*
- IT** Base del cicchetto*
- ES** Base de cebador*
- PT** Base da unidade de escorvagem*

| Ref # | Part Number | Qty | Description |
|-----------|-------------|-----|--|
| A-03003 | A03003 | 1 | ZAMA |
| A-03979 | A03979 | 1 | Repair Kit |
| A-03980 | A03980 | 1 | Gasket/Diaphragm Kit |
| A-01195-A | A01195A | 1 | Primer Bulb |
| A-01194 | A01194 | 1 | Primer Base (Aluminum) Primer Base kits are not interchangeable. |
| A-03062 | A03062 | 1 | Primer Base (Plastic) Primer Base kits are not interchangeable. |
| A-00289 | A00289 | 1 | Swivel Kit |
| A-03002 | A03002 | 1 | WALBRO |
| A-02665 | A02665 | 1 | Repair Kit |
| A00285A | A00285A | 1 | Gasket/Diaphragm Kit |
| A-00289 | A00289 | 1 | Swivel Kit |
| 01201 | 01201 | 1 | Primer Bulb |
| A-01200-A | A01200A | 1 | Primer Base |



| Ref # | Part Number | Qty | Description |
|-------|-------------|-----|--|
| 1 | 88060 | 2 | SCREW- (10-24 x 2 1/2") |
| 2 | A98780 | 1 | COVER- Muffler |
| 3 | 98782 | 1 | BAFFLE- Muffler |
| 4 | 98784A | 1 | SCREEN- Spark |
| 5 | 98860A | 2 | SPACER- Muffler |
| 6 | 98783 | 1 | PLATE- Reinforcing |
| 7 | A01323 | 1 | BODY- Muffler |
| 8 | 98786B | 1 | GASKET- Muffler |
| 9 | 00179 | 1 | BRACKET- |
| 10 | A00108 | 1 | CYLINDER |
| 11 | 03703A | 1 | CYLINDER- Gasket |
| 12 | A01036A | 1 | PISTON & ROD ASSEMBLY |
| 13 | 96935 | 1 | RING- Piston |
| 14 | 96169S | 1 | SPARK PLUG (DJ7Y) |
| | 79252 | 1 | SPARK PLUG (RDJ7Y) (Int'l) |
| 15 | 987582 | 1 | CRANKSHAFT (Model 145 & 155) |
| | 987583 | 1 | CRANKSHAFT (Models 175,175C,175BC,185,185C,285,275,285BC,385,385C, |
| 16 | 69250 | 1 | KEY- Woodruff |
| 17 | 98767A | 1 | GASKET- Crankcase cover |
| 18 | 98792 | 3 | BUMPER- Rubber |
| 19 | 01023B | 1 | COVER- Crankcase |
| 20 | 98752 | 1 | CLAMP |
| 21 | 98934 | 1 | SHIELD |
| 22 | 98765B | 1 | GASKET- Heat dam |
| 23 | 81208 | 2 | NUT (10-24) |
| 24 | 98768 | 1 | HEAT DAM |
| 25 | 825491 | 2 | SCREW- Taptite (10-24 x 1") |
| 26 | 98766A | 1 | GASKET- Carburetor |
| 27 | A03003 | 1 | CARBURETOR- (Zama) |
| | A03002 | 1 | CARBURETOR- (Walbro) |
| 28 | A01440A | 1 | AIR FILTER BOX |
| 29 | 00772 | 1 | DECAL- Choke, Run |
| 30 | 98943 | 1 | DECAL- Push-Hold |
| 31 | D98760A | 1 | FILTER- Air |
| 32 | 98754B | 1 | COVER- Crankcase |
| 33 | 82368 | 2 | SCREW- Plastite (8 x 3/4") |
| 34 | 82542 | 2 | SCREW (10-24 x 2 1/4") |
| 35 | A01441 | 1 | TANK- Fuel |
| 36 | 49422 | 1 | FILTER- Fuel |
| 37 | 9477232 | 1 | TUBING- Rubber (8") |
| 38 | 98268 | 1 | WIRE CLAMP |
| 39 | 0143932 | 1 | TUBING- Rubber (8") |
| 40 | A00982A | 1 | FUEL CAP ASSEMBLY |
| 41 | 98805A | 1 | GASKET- Fuel cap |
| 42 | 03134 | 1 | VALVE- Duckbill |
| 43 | 98913 | 1 | FILTER-Cap |
| 44 | A98808 | 1 | BRACKET-Cable |
| 45 | A95007 | 1 | ROTOR |
| 46 | A70285E | 1 | KIT- Starter pawl |
| 47 | A98918 | 1 | LEAD- Electrical (Models 175BC,185,185C,285BC,385-UT-15040&UT10540-A, |
| 48 | A02576B | 1 | HOUSING- Engine (Clutch Models Only) |
| | A02575 | 1 | HOUSING- Engine (Non-Clutch Models) |
| 49 | A02396A | 1 | TUBE ADAPTOR |
| 50 | 88054 | 1 | SCREW (10-24 x 1 1/4") |
| 51 | 81208 | 1 | NUT(10-24) |

| Ref # | Part Number | Qty | Description |
|-------|-------------|-----|--|
| 52 | 01547 | 1 | ADAPTOR- Clutch (Clutch Models Only) |
| 53 | A02727 | 1 | CONNECTOR & DRUM |
| 54 | 00242 | 2 | CLUTCH |
| 55 | 88052 | 4 | SCREW (10-24 x 7/8") |
| 56 | 82538 | 3 | SCREW (10-24 x 3/4") |
| 57 | 9789902 | 1 | ROPE- Starter (42") |
| 58 | 02264 | 1 | GRIP- Starter |
| 59 | 98770 | 1 | PULLEY- Starter |
| 60 | 98791 | 1 | BRACKET- Retaining |
| 61 | 82541 | 2 | SCREW- Plastite (10 x 1/2") |
| 62 | A00107A | 1 | CRANKCASE ASSEMBLY |
| 63 | 98797 | 1 | BEARING- Ball |
| 64 | 98800 | 1 | SEAL |
| 65 | 98799 | 1 | RING- Retaining |
| 66 | 98798 | 1 | BALL- Bearing |
| 67 | 82538 | 5 | SCREW- Taptite (10-24 x 3/4") |
| 68 | A98773 | 1 | SPRING & CONTAINER |
| 69 | 82540 | 2 | SCREW- Taptite (8-32 x 1") |
| 70 | 94711CS | 1 | MODULE- Ignition |
| 71 | 69326 | 1 | LEAD- High-Tension |
| 72 | A33055 | 1 | TERMINAL- High-Tension |
| 73 | 84065 | 1 | WASHER- Flat (5/16") (Non-Clutch Models) |
| 74 | 88077 | 1 | SCREW- Hex sems (10-24 x 3/8") |
| 75 | 02851 | 1 | TERMINAL (Models 385--UT15040B, UT15040C, & UT15040D) (Model 485) |
| 76 | A00254 | 1 | WIRE GUARD KIT (California Models Only) |
| 77 | 88049 | 2 | SCREW- Hex sems (10-24 x 1/2") |
| 78 | 81208 | 2 | NUT- (10-24) |
| 79 | 98795A | 1 | CONNECTOR- Drive (Non Clutch Models) |
| 80 | A00681 | 1 | LEAD- Electrical (Model 385--UT15040B, UT15040C, UT15040D & Model 485) |
| 81 | 95020 | 1 | SPRING- Compression |
| 82 | 82513 | 1 | SCREW- Thread Forming |
| 83 | A98809 | 1 | LEAD- Electrical (Models 145, 155, 175, 175C, 285, HGT & GST) |
| 84 | 98769 | 1 | BUTTON- Switch |
| 85 | 82268 | 1 | SCREW- Hex sems (10-24 x 3/8") |
| 86 | 98802A | 1 | CLAMP |
| 87 | 97574 | 1 | NUT- Square |
| 88 | 82455 | 1 | SCREW |
| 89 | 98929A | 1 | WASHER- Clutch |
| 90 | A98919 | 1 | LEAD- Ground (Models 185 & 385--UT15040 & UT15040A) |