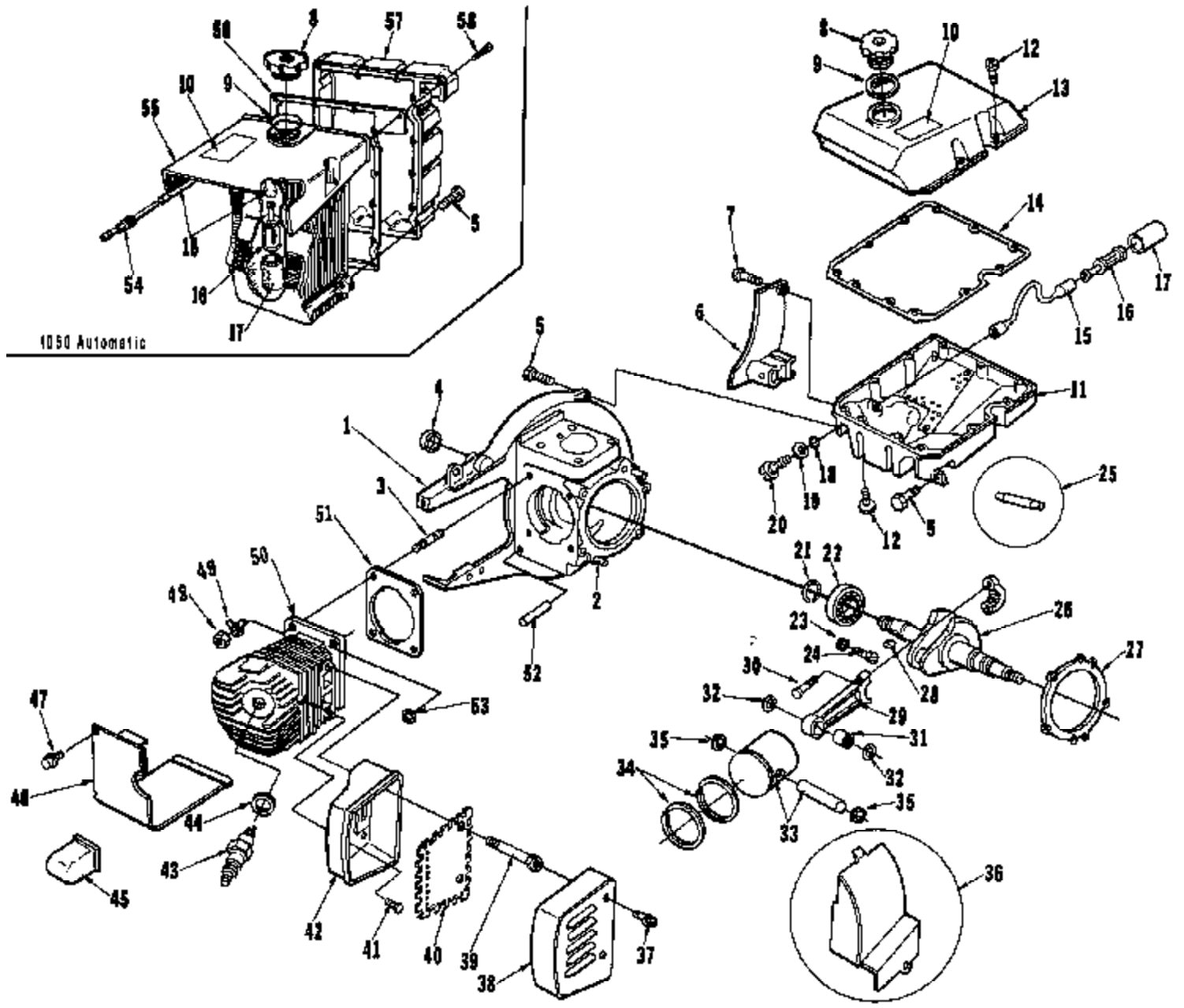
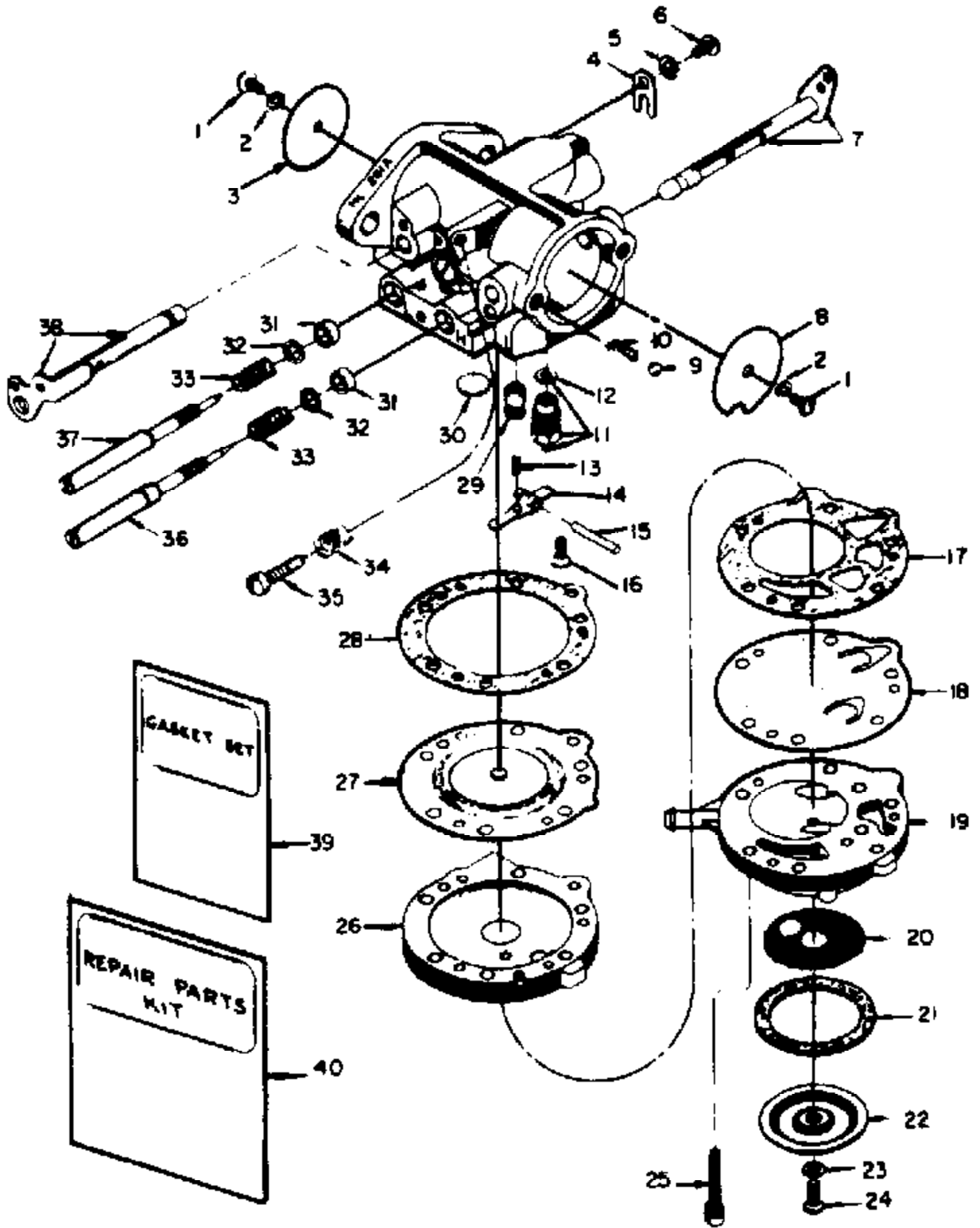


Ref #	Part Number	Qty	Description
1	58319A	1	RING- Retaining
2	592301	1	COVER- Air filter
3	A70326	1	NUT- Cover
4	A69306	1	FILTER ELEMENT- Air
5	80658	8	SCREW- Pan hd., 4-40 x 3/16
6	59629	4	CLAMP- Reed
7	59628	4	REED- Valve
8	596272	1	SEAT- Reed valve
9	559461	1	GASKET- Spacer-adapter
10	63655A	1	GASKET- Carburetor
11	80864	5	SCREW- Hex hd., 12-24 x 1
12	80882	2	SCREW- Hex hd., 1/4-20 x 1-1/2
13	A70405	1	BRACKET & STUD
14	A703871	1	MANIFOLD- Intake
15	597222	1	GASKET- Carburetor
16	A70602A	1	CARBURETOR (SDC-74)
17	80245	2	SCREW- Hex mach., 10-32 x 2.25
18	703891	1	TUBE- Spitback
19	A70404	1	ROD- Choke
20	86324	1	PIN- Cotter
21	70396	1	ROD- Throttle
22	58348	1	BOOT- Throttle rod
23	58181A	1	TRIGGER- Throttle
24	58353	1	SHAFT- Throttle trigger
25	58352A	1	SPRING- Throttle trigger
26	58409	1	RING- Retaining
27	58405	1	SPRING- Throttle latch
28	58404	1	PIN- Throttle latch
29	80676	3	SCREW- Hex hd. 12-24 x 5/8
30	637332A	1	SHIELD- Muffler
31	58357	1	BUTTON- Oil rod
32	58356B	1	ROD- Oil pump (S1050 AO)
	63127A	1	ROD- Oil pump (S1130G)
33	58185A1	1	BRACE- Throttle handle
34	80867	3	SCREW- Hex hd., 12-24 x 3/4
35	69092	1	SLEEVE- Grounding switch
36	A576503A	1	SWITCH- Toggle
37	72084A1	1	NUT
38	70839	1	PLATE- ("RUN-STOP")
39	A63665	1	HANDLE- Throttle (carb. chamber)
40	A69514	1	PLUG- Button w/59765 "O" Ring
41	A64744	3	PLUG- Button w/59765 "O" Ring
42	59064	1	BUSHING- Nylon
43	58929	2	BUSHING- Nylon
44	58930	1	STOP- Oil pump rod
45	86301	1	PIN- Cotter
46	63290	1	FELT
47	58362	1	GROMMET
48	572891	1	BUTTON- Rod
49	58343	2	GASKET- Spacer
50	58391	1	SPACER
51	7030824	1	TUBING- Rubber (fuel line)
52	70681	1	PLUG- Cylinder tube (S1050E only)
53	58392	1	GASKET- Stud
54	58361	1	STUD- Cover
55	581832	1	MANIFOLD- Intake
56	27464	2	STUD- Carburetor
57	63655A	2	GASKET- Carburetor

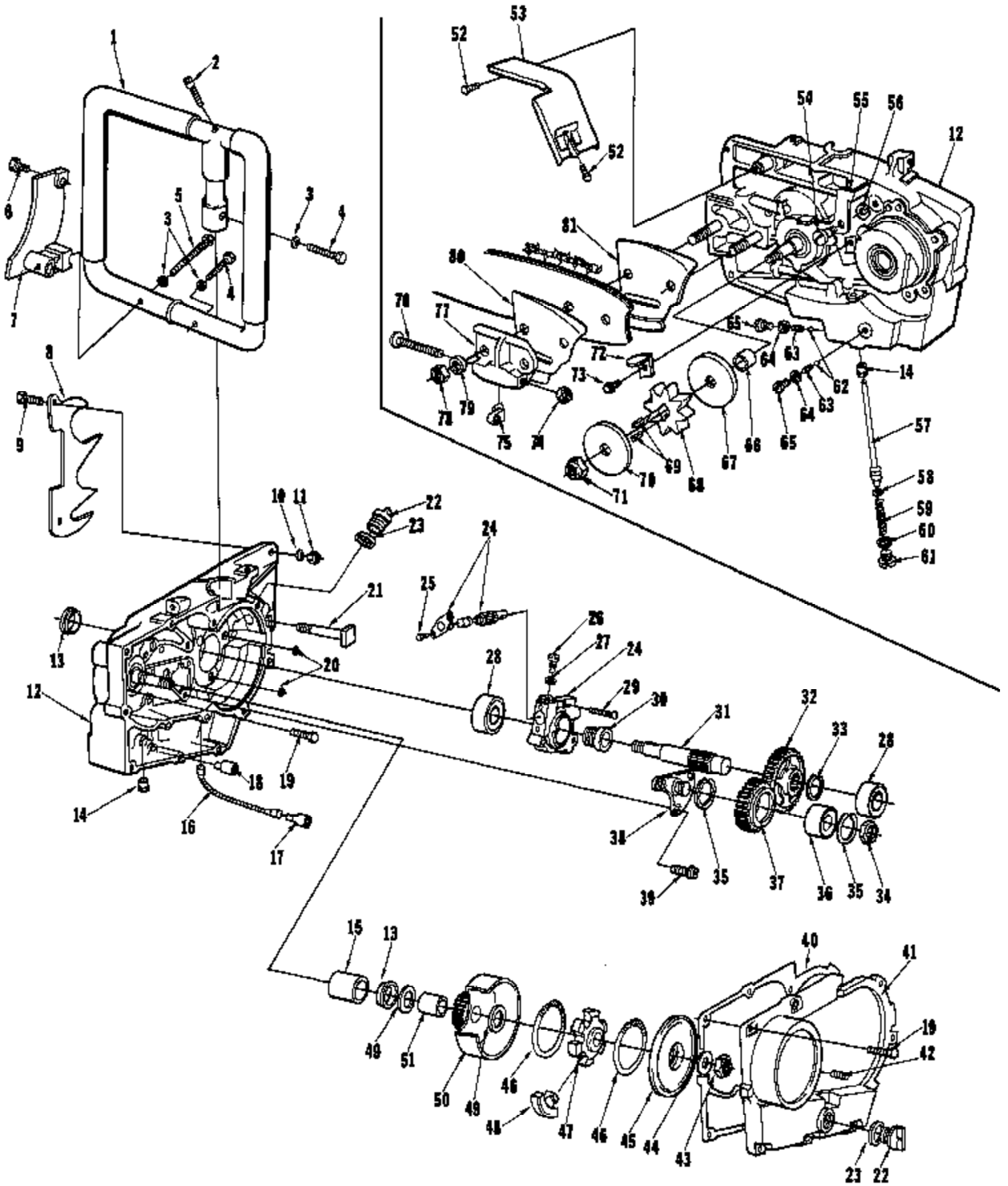
Ref #	Part Number	Qty	Description
58	83009	2	WASHER- Lock 1/4"
59	81013	2	NUT- Hex, 1/4-20
60	55946	1	GASKET- Spacer adapter
61	596271	1	SEAT- Reed valve



Ref #	Part Number	Qty	Description
1	A64532	1	CRANKCASE- W/pins
2	74332	2	PIN- Dowel
3	727871	4	STUD
4	58308B	1	SEAL
5	80867	3	SCREW- Hex, 12-24 x 3/4
6	596352	1	BRACKET- Handle bar
7	80891	1	SCREW- Hex, 12-24 x 7/8
8	A65741A	1	CAP- Fuel tank
9	65358	1	GASKET
	69451	1	VALVE- Vent (Not shown)
10	69847	1	LABEL- Warning
11	A67739	1	TANK- Fuel W/screen
12	82146	11	SCREW- Fil, 8-32 x 5/8
13	596873	1	COVER- Fuel tank
14	67677	1	GASKET- Fuel tank
15	55805	1	FLEXIBLE LINE
16	A59251	1	FILTER ASSEMBLY
17	592531	1	FILTER
18	67900	1	"O" RING
19	631751	1	GASKET
20	63132	1	FITTING- Fuel
21	58319A	1	RING- Retaining
22	58190S	1	BEARING- Ball
23	83061	2	WASHER- Lock
24	192383	2	SCREW- Bearing retaining
25	A69062	1	ROLLERS- Set of 31
26	A64351	1	CRANKSHAFT
27	63356	1	GASKET
28	75078	1	KEY- Woodruff
29	A69170	1	CONNECTING ROD
30	80345	2	SCREW- 10-32 x 5/8
31	59606	1	BEARING- Needle
32	68719	2	WASHER- Thrust
33	A69189A	1	PISTON & PIN
34	56291	2	PISTON RING
35	64743	2	RING- Retaining
36	631031	1	EXCHANGER- Heat (optional)
37	80837	2	SCREW- Hex, 12-24 x 3/8
38	A644642	1	CAP- Muffler
39	59982B	2	STUD- Muffler
40	599781	1	BAFFLE- Muffler
41	80402	1	SCREW- Hex, 1/4-20 x 5/8
42	A599272	1	BODY- Muffler
43	63547S	1	SPARK PLUG
44	25038	1	GASKET
45	63735A	1	CAP- Spark plug
46	A637361	1	CYLINDER SHIELD
47	808691	2	SCREW- Hex , 10-24 x 3/8
48	25412	4	NUT- Hex 5/16-24
49	83002	1	WASHER- Lock
50	A69712A	1	CYLINDER
51	64453	1	GASKET
52	55290	1	SLEEVE- Insulating
53	83002	3	WASHER- Lock, 5/16
	A635181A	1	ACCESSORIES (Not shown) SPARK ARRESTOR

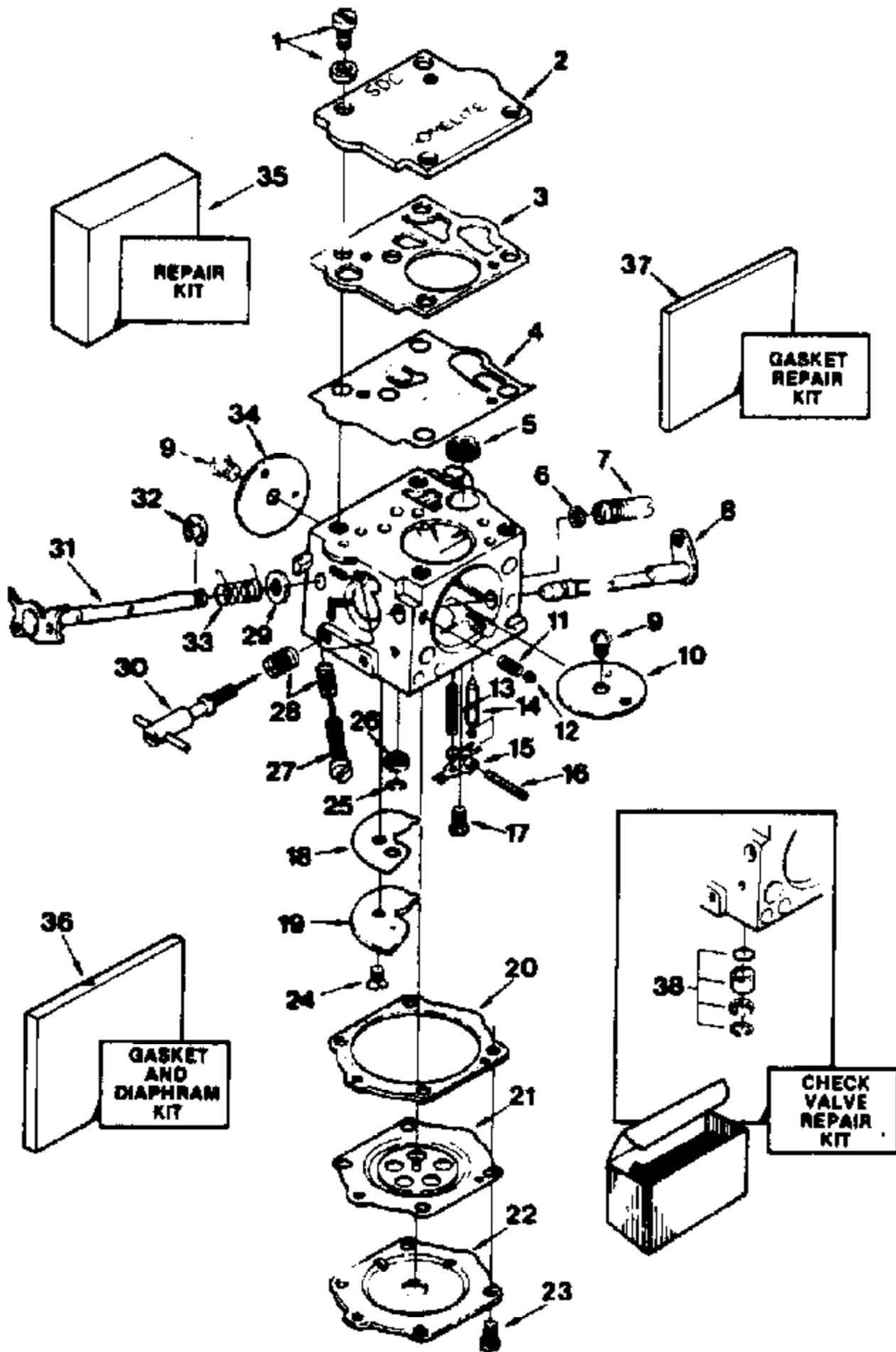


Ref #	Part Number	Qty	Description
1	80591	2	SCREW- Rd hd., 4-40 x 1/4
2	830081	2	WASHER- Lock
3	64623	1	SHUTTER- Throttle
4	73086	1	CLIP- Throttle shaft
5	83000	1	WASHER- Lock, #8
6	73088	1	SCREW- Flat hd., 8-32 x 5/16
7	A64627	1	SHAFT & LEVER- Choke
8	64625	1	SHUTTER- Choke
9	25527	2	BALL- Check, 5/32" diameter
10	73264	1	SPRING- Choke friction
11	A64628	1	NEEDLE & SEAT
12	55344	1	GASKET- Inlet seat
13	65603	1	SPRING- Control lever
14	55747	1	LEVER- Inlet control
15	64622	1	PIN- Fulcrum
16	58992	1	SCREW- Fulcrum pin retaining
17	58529	1	GASKET- Pump diaphragm
18	57729	1	DIAPHRAGM Fuel pump
19	59265	1	BODY- Fuel pump
20	58527	1	SCREEN- Fuel inlet
21	55751	1	GASKET Pump strainer
22	58526	1	COVER- Strainer
23	28098	1	GASKET- Strainer cover screw
24	58525	1	SCREW- Pump cover
25	55316	6	SCREW- Body w/lock washer
26	A58533	1	COVER- Main diaphragm
27	57829	1	DIAPHRAGM- Main control
28	57824	1	GASKET- Cover diaphragm
29	A77429	1	NOZZLE- Main
30	30818	1	PLUG- Expansion
31	75733	2	PACKING- Adjusting screw
32	75735	2	WASHER- Adjusting screw
33	73075	2	SPRING- Adjusting needle
34	28064	1	SPRING- Throttle stop
35	71509	1	SCREW- Idle stop
36	65604	1	NEEDLE- Adjusting (main mixture)
37	58680	1	VALVE- Needle (idle mixture)
38	A64626	1	SHAFT & LEVER- Throttle
39	68657	1	GASKET & PACKING SET
40	68663	1	REPAIR PARTS KIT
	63590	1	GASKET & DIAPHRAGM SET

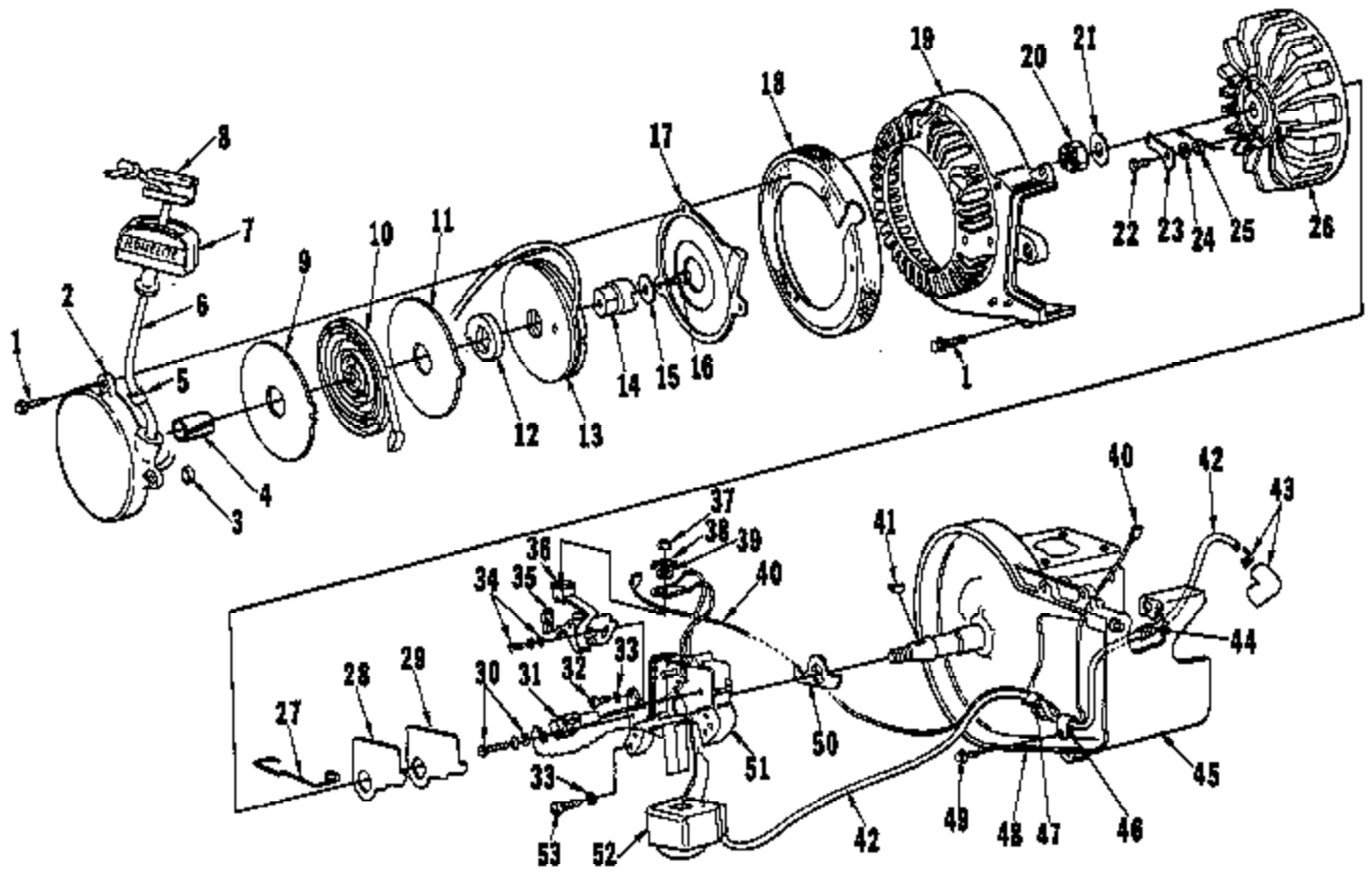


Ref #	Part Number	Qty	Description
1	A69268	1	HANDLE BAR Denotes new parts
	A63136	1	HANDLE BAR- Wrap around
2	80308	1	SCREW- Soc, 5/16-18 x 1
3	83003	3	WASHER- Lock, 5/16
4	80087	2	SCREW- Hex, 5/16-18 x 1-1/2
5	80698	1	SCREW- Hex, 5/16-18 x 3-1/4
6	80891	1	SCREW- Hex, 12-24 x 7/8
7	596352	1	BRACKET- Handle bar
8	A63413	1	KIT- Spiked bumper (long spikes)
9	801813	2	SCREW- Hex, 1/4-20 x 7/8
10	83009	2	WASHER- Lock, 1/4
11	81053	2	NUT- 1/4-20
	A63138	1	KIT- Spiked bumper (Not shown) short spikes
	802181	2	SCREW- Hex, 1/4-20 x 3/4
	83009	2	WASHER- Lock, 1/4
	81053	2	NUT- 1/4-20
12	A63398C	1	HOUSING- Gear
13	56256B	2	SEAL
14	59064	1	BUSHING- Rod
	59532	1	ELBOW- (Not shown)
15	76167S	1	BEARING
16	59674	1	LINE- Oil
17	A64293	1	FILTER- Oil (automatic)
18	A63116	1	FILTER- Oil (manual)
19	80867	17	SCREW- Hex, 12-24 x 3/4
20	59074	2	"O" RING
21	58334	2	BOLT- Guide bar
22	A63717C	2	CAP- Filler (oil)
	69451	1	VALVE- Check (Not shown)
	56607	1	GASKET
23	UNKNOWN	1	UNKNOWN
24	A63092	1	PUMP- Automatic oil
25	80919	2	SCREW- Pan, 4-40 x 1/4
26	64102A	1	SCREW- Cam
27	59736	1	GASKET
28	63107S	2	BEARING- Ball
29	80568	3	SCREW- Hex, 8-32 x 7/8
30	63084A	1	WORM- Gear
31	59277A	1	SHAFT- Sprocket
32	592761	1	GEAR- Driven; 3:1 ratio, 64 teeth
	592981	1	GEAR- Driven; 2:1 ratio, 42 teeth
33	63108	1	RING- Retaining
34	57768A	1	NUT- Idler gear
35	28922	2	RING- Retaining
36	72328S	1	BEARING- Ball
37	59250	1	GEAR- Idler
38	592591A	1	POST- Idler gear
39	63407	3	SCREW- Hex, 1/4-20 x 3/4
40	63124	1	GASKET
41	596314	1	COVER- Gear housing
42	28097	1	PLUG- Pipe
43	81192	1	NUT- Hex, 3/8-24
44	55036	1	WASHER
45	58023A	1	COVER- Clutch
46	67441	2	SPRING- Clutch
47	585473A	1	SPIDER- Clutch
48	A67519	6	SHOE- Clutch
49	56132	2	WASHER- Thrust

Ref #	Part Number	Qty	Description
50	A63123	1	DRUM- Clutch w/gear
51	56603	1	BEARING- Sleeve
52	80837	3	SCREW- Hex, 12-24 x 3/8
53	A63776	1	GUARD- Chain
	63715	1	DEFLECTOR-Sawdust(Not shown)
	85125	3	RIVET- (Not shown)
54	59591	1	SCREW- Pivot
55	59592	1	BELL CRANK
56	63109	1	WASHER- Thrust
57	A63112	1	PLUNGER- Oil pump
58	74388	1	"O" RING
59	59293	1	SPRING- Compression
60	58138	1	WASHER
61	63115	1	CAP- Oil pump
62	25527	2	BALL- Check
63	59022	2	SPRING- Check valve
64	65144	2	GASKET- Check valve cap
65	65143	2	CAP- Check valve
66	59697	1	SPACER- Sprocket
67	56074	1	WASHER- Sprocket (inner)
68	555933	1	SPROCKET- 1/2" pitch, 8 tooth
	70353	1	SPROCKET- .404 pitch, 8 tooth
69	560761A	2	KEY- Sprocket
70	56077	1	WASHER- Sprocket (outer)
71	81101	1	NUT- Hex, 1/2-20
72	63110	1	BRACKET- Rod
73	808691	1	SCREW- Hex, 10-24 x 3/8
	A55591	1	PLATE- Adjusting
74	81235	1	NUT- Hex lock
75	555521	1	PIN- Guide bar adjusting
76	82219	1	SCREW- Rd, 5/16-18 x 2-1/8
77	555512	1	PLATE
78	810892	2	NUT- Hex, 3/8-16
79	83018	2	WASHER- Lock, 3/8
80	56957B	2	PLATE- Guide bar (outer)
81	56956B	1	PLATE- Guide bar (inner)



Ref #	Part Number	Qty	Description
1	64694	4	SCREW- Pump cover
2	67002	1	COVER- Fuel pump
3	67008	1	GASKET- Pump
4	64233	1	DIAPHRAGM- Pump
5	64243	1	SCREEN- Inlet
6	70676	1	WASHER- Check valve
7	93615	1	KIT- Governor check valve
8	67109	1	SHAFT ASSEMBLY- Choke
9	64693	2	SCREW- Valve
10	64228	1	VALVE- Choke
11	64238	1	SPRING- Choke friction
12	60051	1	BALL- Choke friction
13	64237	1	SPRING- Metering lever (SDC-60)
	70081	1	SPRING- Metering lever (SDC-74)
14	64229	1	VALVE- Inlet needle
15	64245	1	LEVER- Metering
16	64244	1	PIN- Metering lever
17	64688	1	SCREW- Metering lever pin
18	68781	1	GASKET- Circuit plate
19	70677	1	PLATE- Circuit (SDC-60)
	94874	1	PLATE- Circuit (SDC-74)
20	64231	1	GASKET- Metering
21	64235	1	DIAPHRAGM ASSEMBLY- Metering
22	70880	1	COVER- Metering diaphragm
23	64689	4	SCREW ASSEMBLY
24	12840	1	SCREW- Circuit plate (SDC-60)
	70082	1	SCREW- Circuit plate (SDC-74)
25	67360	1	RING- Screen retaining
26	67381	1	SCREEN- Check valve
27	70674	1	SCREW- Idle adjustment
28	64236	2	SPRING- Needle adjustment
29	70734	1	WASHER- Nylon
30	70675	1	NEEDLE ASSEMBLY- Idle
31	70669	1	SHAFT ASSEMBLY- Throttle
32	70668	1	RING- Retaining
33	67006	1	SPRING- Throttle return
34	70670	1	VALVE- Throttle
35	70679	1	KIT- Repair (SDC-60)
	94877	1	KIT- Repair (SDC-74)
36	93006	1	KIT- Gasket & diaphragm (SDC-60)
	94876	1	KIT- Gasket & diaphragm (SDC-74)
37	70678	1	GASKET SET
38	65386	1	KIT- Check valve
		1	VALVE- Check
		1	SEAT- Valve
	67381	1	SCREEN- Check valve (Item 26)
	67360	1	RING- Screen retaining (Item 25)
	69365	1	FITTING- Inlet elbow



Ref #	Part Number	Qty	Description
1	80867	7	SCREW- Hex, 12-24 x 3/4
2	A641783A	1	COVER- Starter
3	65830	1	BUSHING- Spring outer loop
4	644431	1	BUSHING- Starter post
5	67177	1	BUSHING- Starter rope
6	A93875	1	ROPE- Starter, 48" #5
	93862	1	WASHER- (Not shown)
7	A69962A	1	GRIP- Rope
8	70018A	1	INSERT- Rope retaining
9	65711	1	SHIELD- Spring (inner)
10	64180A	1	SPRING- Rewind
11	65712	1	SHIELD- Spring (outer)
12	64049B	1	LOCK- Rewind spring
13	640501	1	PULLEY- Starter
14	67139	1	CUP- Starter
15	58763	1	WASHER- Retaining
16	80648	1	SCREW- Hex, 10-32 x 1/2
17	64052	1	SHIELD- Sawdust
18	653902	1	SCREEN- Fan housing
19	590941	1	HOUSING- Fan
20	81104	1	NUT- Lock, 7/16-20
21	84047	1	WASHER- Flat
22	64054B	2	STUD- Shoulder
23	58756	2	PAWL- Starter
24	70901	2	WASHER- Lock, #12
25	653752	2	SPRING- Starter pawl
26	64053A	1	ROTOR
27	55980	1	CLAMP- Breaker box cover
28	55979	1	COVER- Breaker box
29	559782	1	GASKET- Breaker box
30	57750	1	SCREW GROUP- Condenser
31	55987	1	CONDENSER- W/terminal
32	80595	1	SCREW- Fil. 10-24 x 1/2
33	83046	3	WASHER- Lock, #10
34	57749	1	SCREW GROUP- Point
35	A58165	1	POINT SET
36	55984	1	WICK
37	55982	1	NUT- Terminal
38	57733	1	TAB- Ground
39	55983	1	WASHER- Terminal
40	A58321	1	LEAD- Ground w/terminals
41	75078	1	KEY- Rotor
42	58382	1	LEAD- High tension
43	A55373A	1	TERMINAL- Spark plug
44	68046	1	GROMMET
45	A637361	1	SHIELD- Cylinder
46	56014	1	CLAMP- Lead
47	55290	1	SLEEVE- Insulating
48	A64532	1	CRANKCASE- W/pin (See Fig 2)
49	808691	1	SCREW- Hex 10-32 x 3/8
50	56292A	1	SEAL Breaker box
51	57744	1	BOX- Breaker w/core
52	55986A	1	COIL- W/ground terminal
53	80660	2	SCREW- Fil, 10-24 x 7/8

TOOLS

COLLAR- Main bearing install.	22820-2
JACKSCREW- Magneto	A-23672
Includes:	
WASHER (1)	84035
PLATE- Crankshaft aligning	23670
PLATE- Sprocket locking (Super 1130G Auto)	22750
PLIERS- Retaining ring (piston)	22828
PLUG- Bearing install. (Super 1130G Auto)	23391-3
PLUG- Bearing install. (Super 1130G Auto)	23228
PLUG- Bearing install. (conn. rod)	23874
PLUG- Bearing and seal install. (Super 1130G Auto)	23913
PLUG- Bearing install. (clutch) (Super 1050 Auto)	23420
PLUG- Bearing install. (drivecase) (Super 1050 Auto)	23876
PLUG- Seal install. (crankcase)	23233-1
PLUG- Seal install. (gear housing)	23671
PULLER- Magneto rotor	A-24028
Includes:	
SCREW (2)	80450
NUT (2)	81208
SLEEVE- Bearing and shaft install.	23136-2
SLEEVE- Seal protecting	23893
WRENCH- Combination	A-23937-B
WRENCH- Socket screw (conn. rod)	23528
WRENCH- Spanner	A-23696-A
Includes:	
PIN (2)	23717-A
SCREWDRIVER	24541
WRENCH SOCKET	68651
WRENCH- Spanner (Super 1050 Auto)	A-93791

ACCESSORIES

DECAL- (universal replacement) composed of "Direct Drive", "Gear Drive", "Starting Instructions" and two "HOMELITE" (letters 1/4" and 1/2" high).	23742-A
HANDLE- Helper (Super 1130G Auto)	A-67757
Includes:	
NUT- Tee (1)	67760
PLUG- Shoulder (2)	67759
KNOB- Helper handle (1)	A-67763
LOCTITE	23488-B
OIL- Gear (1 pt. container) Super 1130G Auto	55291-C
REEL- 250' Starter Rope #5	57064-1

PAINT

PAINT- Black (spray can)	23772
PAINT- Red (spray can)	23475

Ref #	Part Number	Qty	Description
22820-2	228202	1	COLLAR- Main bearing install.
A-23672	A23672	1	JACKSCREW- Magneto
84035	84035	1	WASHER (1)
23670	23670	1	PLATE- Crankshaft aligning
22750	22750	1	PLATE- Sprocket locking (Super 1130G Auto)
22828	22828	1	PLIERS- Retaining ring (piston)
23391-3	233913	1	PLUG- Bearing install. (Super 1130G Auto)
23228	23228	1	PLUG- Bearing install. (Super 1130G Auto)
23874	23874	1	PLUG- Bearing install. (conn. rod)
23913	23913	1	PLUG- Bearing and seal install. (Super 1130G Auto)
23420	23420	1	PLUG- Bearing install., (clutch) (Super 1050 Auto)
23876	23876	1	PLUG- Bearing install., (drivecase) (Super 1050 Auto)
23233-1	232331	1	PLUG- Seal install., (crankcase)
23671	23671	1	PLUG- Seal install.,(gear housing)
A-24028	A24028	1	PULLER- Magento rotor
80450	80450	1	SCREW (2)
81208	81208	1	NUT (2)
23136-2	231362	1	SLEEVE- Bearing and shaft install.
23693	23693	1	SLEEVE- Seal protecting
A-23937-B	A23937B	1	WRENCH- Combination
23528	23528	1	WRENCH- Socket screw (conn. rod)
A23696A	A23696A	1	WRENCH- Spanner
23717A	23717A	1	PIN (2)
24541	24541	1	SCREWDRIVER
68651	68651	1	WRENCH SOCKET
A-93791	A93791	1	WRENCH- Spanner (Super 1050 Auto)
23742A	23742A	1	DECAL - (universal replacement) composed of "Direct Drive", "Gear Drive",
A-67757	A67757	1	HANDLE- Helper (Super 1130G Auto)
67760	67760	1	NUT- Tee (1)
67759	67759	1	PLUG- Shoulder (2)
A-67763	A67763	1	KNOB- Helper handle (1)
23488-B	23488B	1	LOCTITE
55291-C	55291C	1	OIL- Gear (1 pt. container) Super 1130G Auto
57084-1	570841	1	REEL- 250' Starter Rope #5
23772	23772	1	PAINT- Black (spray can)
23475	23475	1	PAINT- Red (spray can)