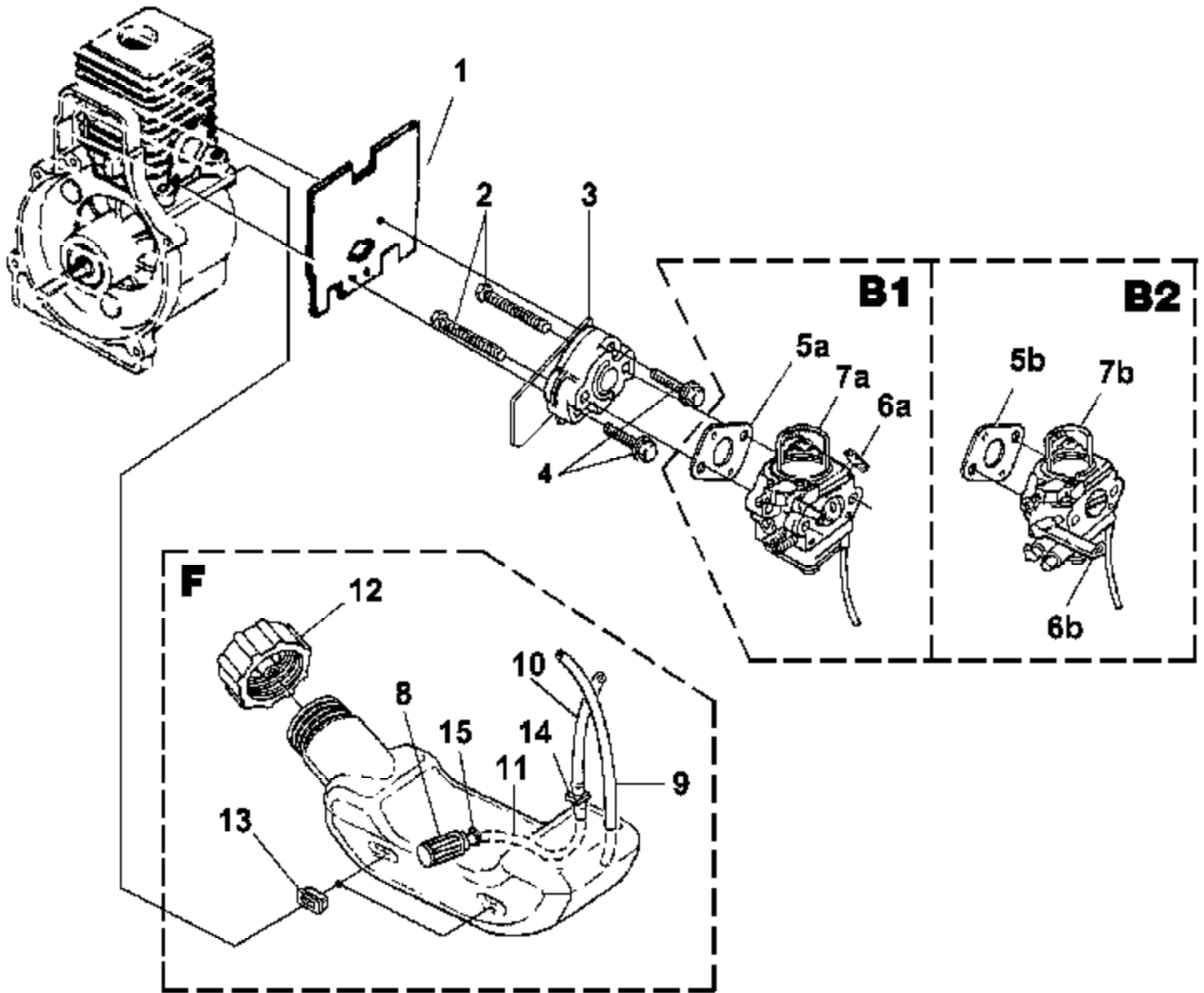


No  
Diagram  
Available

Parts List  
Only

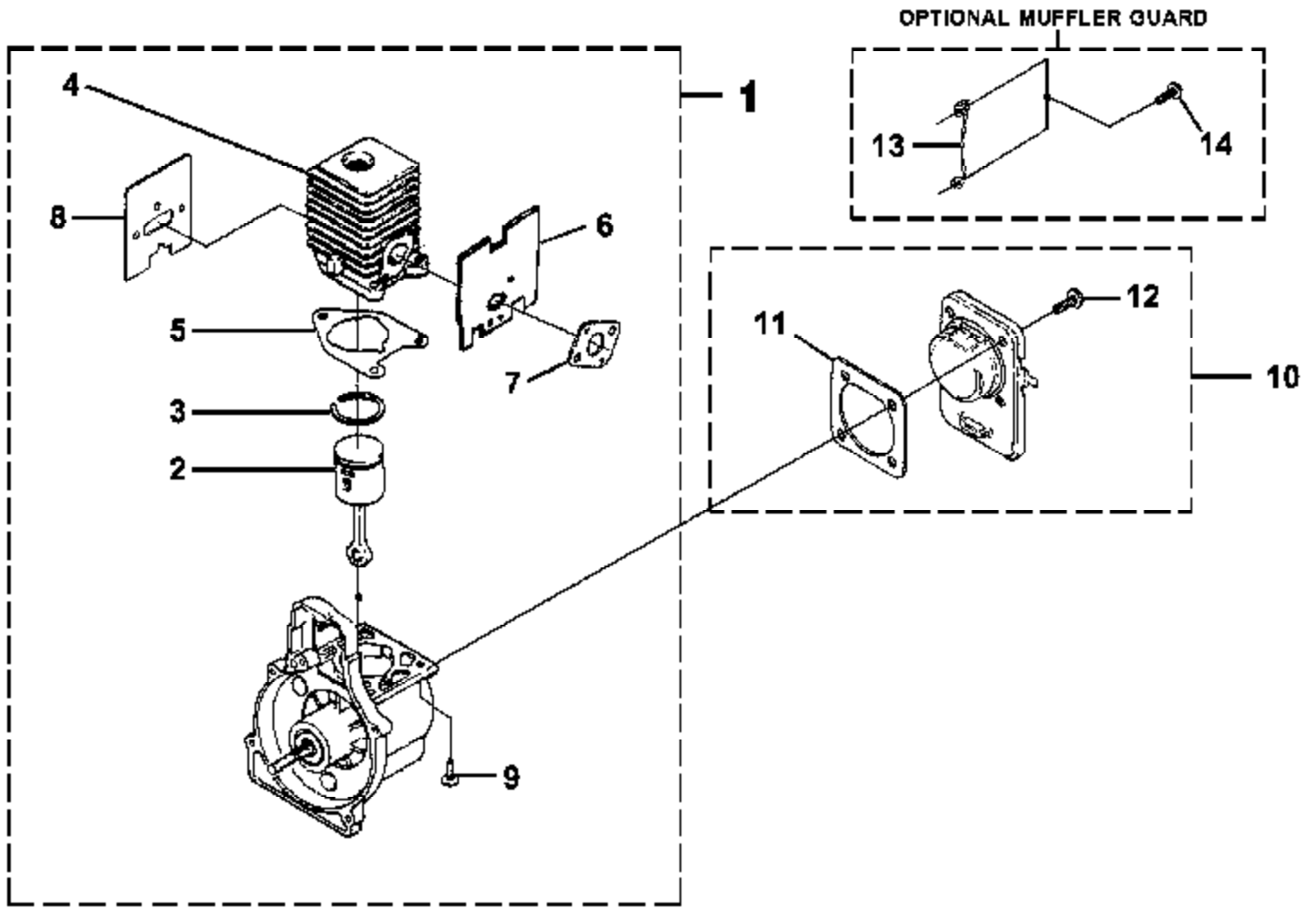
Ref #	Part Number	Qty	Description
	18453		GREASE, MULTI-PURPOSE
	PS24306		MODULE AIR GAP SHIM
	A04191		GRASS ANTI-WRAP KIT
	98052A		STARTER ROPE (250 Ft. Reel)
	UP06544		TORX BIT (T25) (For Clutch Drums)
	UP07160		TORX BIT (T27) (T27)
	JA313164		IGNITION TEST SPARK PLUG
	UP05860		RUBBER TUBING (10 Ft.)
	DA03001A		STRINGHEAD-Complete - E-Z Line (TM) (.080 Line) (Right Hand Thread) (Black Retainer)
	9801106		REPLACEMENT STRING - E-Z Line (TM) (3 lb. Box) (.080" Dia.)
	DA09364		STRINGHEAD-Complete-Pro-Cut (TM) Fixed Line Head (.105" Dia.)
	D09365		REPLACEMENT Dura Line (TM) (.105" Dia.) (Cartridges for Pro-Cut (TM) Fixed Line Head)
	A06933		SAFETY GOGGLES
	UP03036		DUST MASK
	UP00108		COMFORT STRAP

[Order Homelite Trimlite Parts on eBay](#)



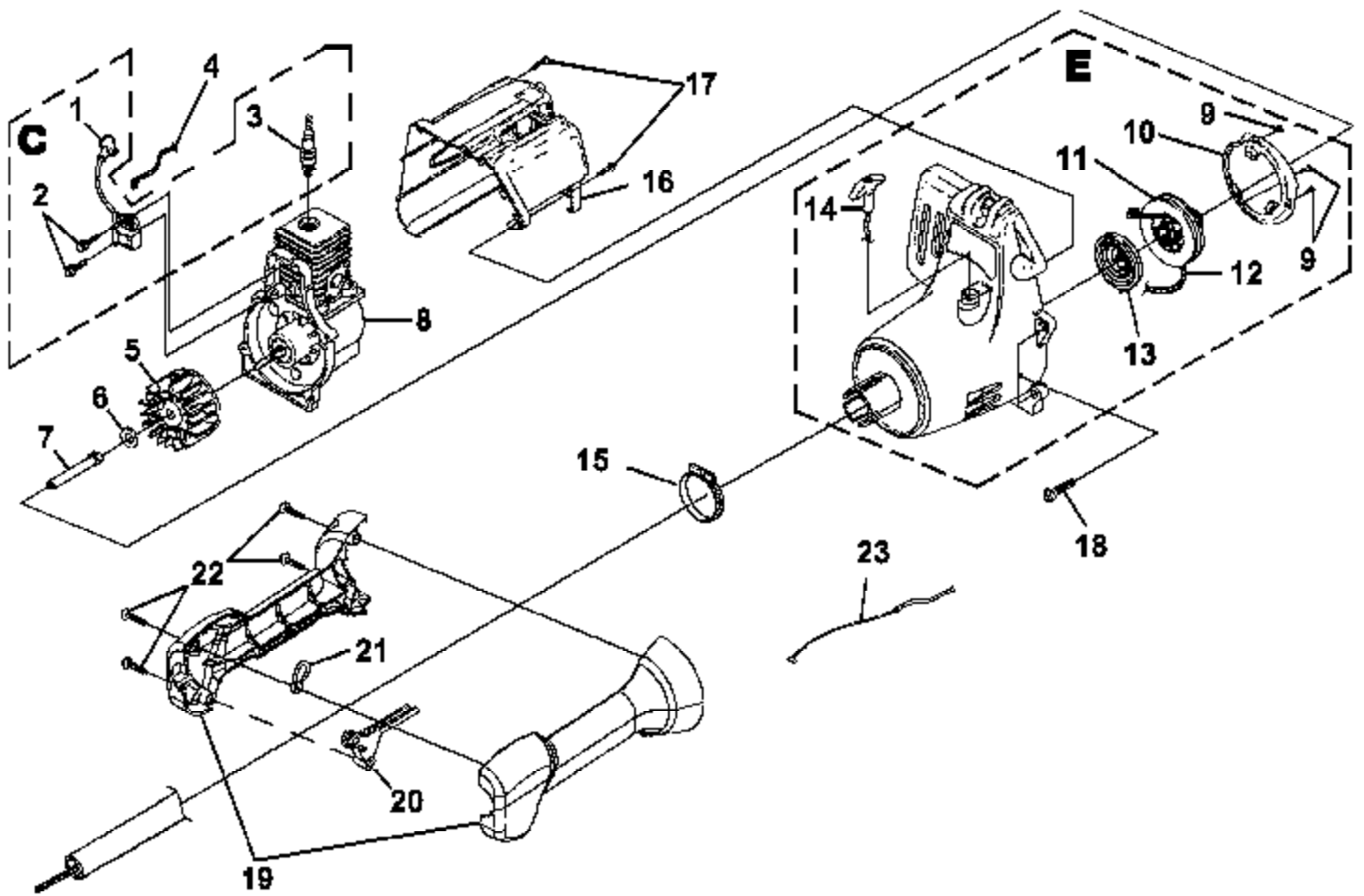
Ref #	Part Number	Qty	Description
1	UP04308	1	GASKET-Heat Dam
2	UP04131	2	SCREW-Machine (10-24 X 2 1/4")
3	UP04348	1	HEAT DAM
4	UP04140	2	SCREW-Sems (10-24 X 1") Torque Specs 35-45 In/Lbs Red 262
B1	UP00608	1	CARBURETOR KIT (UT20740, [UT20760 before S/N MB0850000], UT20739, UT20742, UT20743, UT20744, UT20691R, UT20822, UT20692R, UT20826)
5A	UP03916	1	GASKET-Carburetor
6A	UP04278	1	Lever-Choke (Zama)
7A	UP04803	1	BULB-Primer
B2	UP04742	1	CARBURETOR KIT (UT20761 UT20764, UT20751, UT20783, UT20760, UT20812, UT20813 after S/N MB0849999)
5B	UP03916	1	GASKET-Carburetor
6B	UP04740	1	Lever-Choke
7B	UP04803	1	BULB-Primer
F	UP00020	1	FUEL TANK ASSY.
8	UP03871	1	FILTER-Fuel
9	UP04293	1	TUBING-Rubber
10	UP04292	1	TUBING-Rubber
11	UP04715	1	TUBING-Rubber
12	UP00106	1	FUEL CAP
13	UP03501	3	BUMPER-Rubber
14	UP03831	1	FITTING-Inline
15	UP03913	1	CLAMP

[Order Homelite Trimlite Parts on eBay](#)



Ref #	Part Number	Qty	Description
1	UP03116	1	SHORT BLOCK
2	UP00768	1	PISTON & ROD ASSY.
3	UP03838	1	RING-Piston
4	UP07145	1	CYLINDER ASSY.
5	UP03857	1	GASKET-Cylinder
6	UP04308	1	GASKET-Heat Dam
7	UP03916	1	GASKET-Carburetor
8	UP04710	1	GASKET-Muffler
9	UP04345	3	SCREW-Sems (12-24 X 3/4")
10	UP00019	1	CRANKCASE COVER ASSEMBLY Torque Specs 55-65 In/Lbs Red 262
11	UP04335	1	GASKET-Crankcase Cover (Also included w/short block)
12	UP04295	4	SCREW-Sems (10-24 X 1/2")
13	UP04099	3	MUFFLER GUARD Torque Specs 35-45 In/Lbs Red 262
14	UP03897	2	SCREW-Thread Forming (10-14 X 1/2")
15			UNKNOWN Torque Specs 5-20 In/Lbs

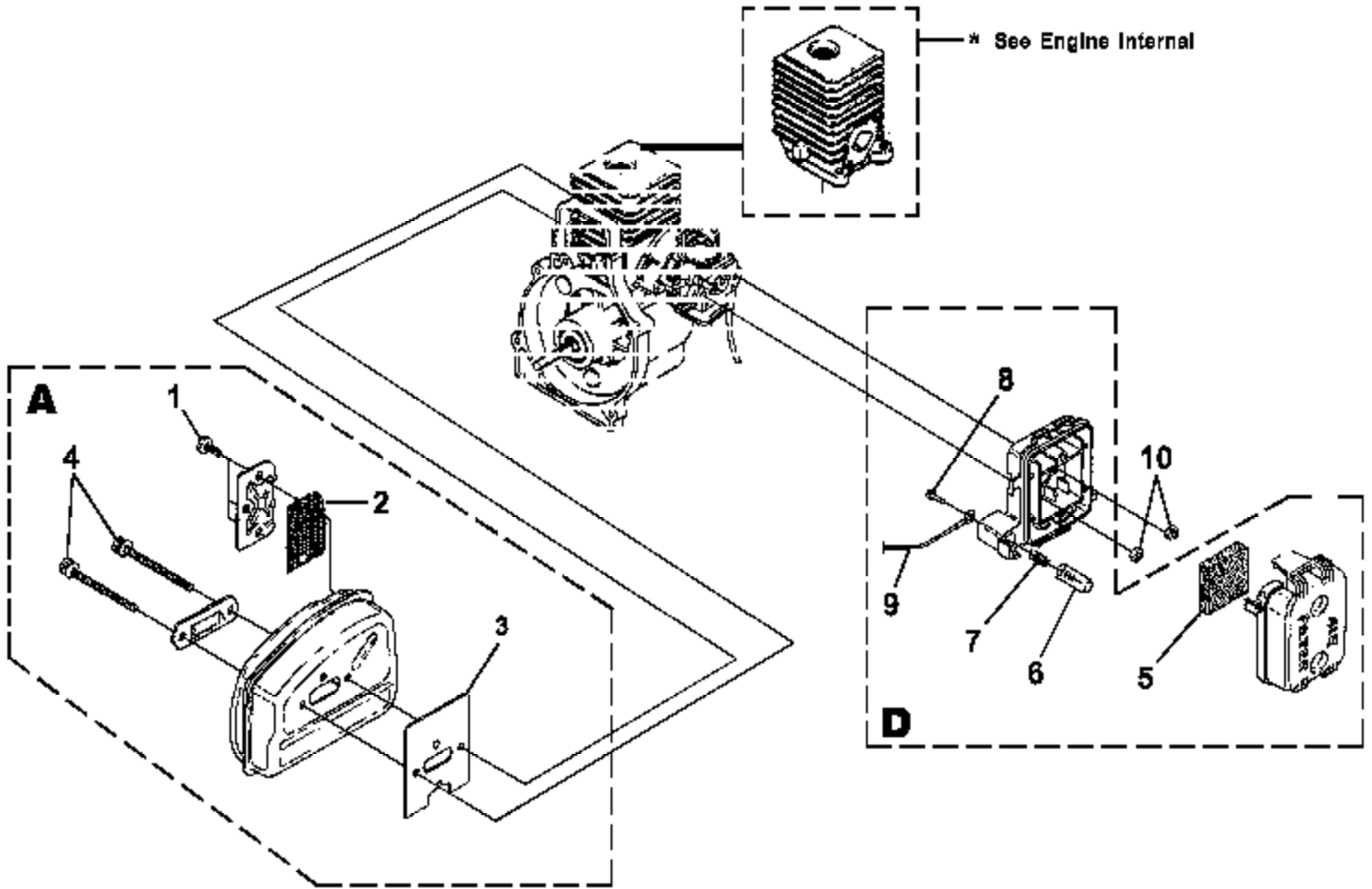
[Order Homelite Trimlite Parts on eBay](#)



Ref #	Part Number	Qty	Description
C	UP03858	1	IGNITION KIT
1	UP03868	1	TERMINAL & COVER
2	UP03896	2	SCREW-Taptite (8-32 X 1") Torque Specs 30-40 In/Lbs
3	UP03883	1	SPARK PLUG Torque Specs 120-180 In/Lbs
4	UP04690	1	LEAD-Electrical
5	UP03009	1	ROTOR
6	UP03906	1	WASHER-Flat
7	UP04271	1	CONNECTOR-Drive (.250) Torque Specs 100-150 In/Lbs
8	UP03116	1	SHORT BLOCK (See "Engine Internal" illustration and parts list.)
E	UP03092	1	COMPLETE STARTER ASSEMBLY
9	UP03898	3	SCREW-Taptite (8-16 X 1/2") Torque Specs 10-20 In/Lbs
10	UP03013	1	BAFFLE-Air
11	UP04349	1	PULLEY-Starter
12	UP03912	1	ROPE-Starter (42")
13	UP03917	1	SPRING & CONTAINER
14	PS00179	1	GRIP-Starter
15	UP03111	1	CLAMP Torque Specs 40-50 In/Lbs
16	UP03025	1	HOUSING-Rear Kit
17	UP03895	2	SCREW-Taptite (10-14 X 7/8") Torque Specs 30-50 In/Lbs
18	UP03406	4	SCREW-Taptite (10-24 X 3/4") Torque Specs 30-40 In/Lbs
19	UP03091	1	CONTROL HANDLE ASSY.
20	UP04559	1	TRIGGER-Throttle
21	UP04696	1	HOOK-Harness
22	UP03895	4	SCREW-Taptite (10-14 X 7/8") Torque Specs 30-50 In/Lbs
23	0883202	1	CABLE-Throttle

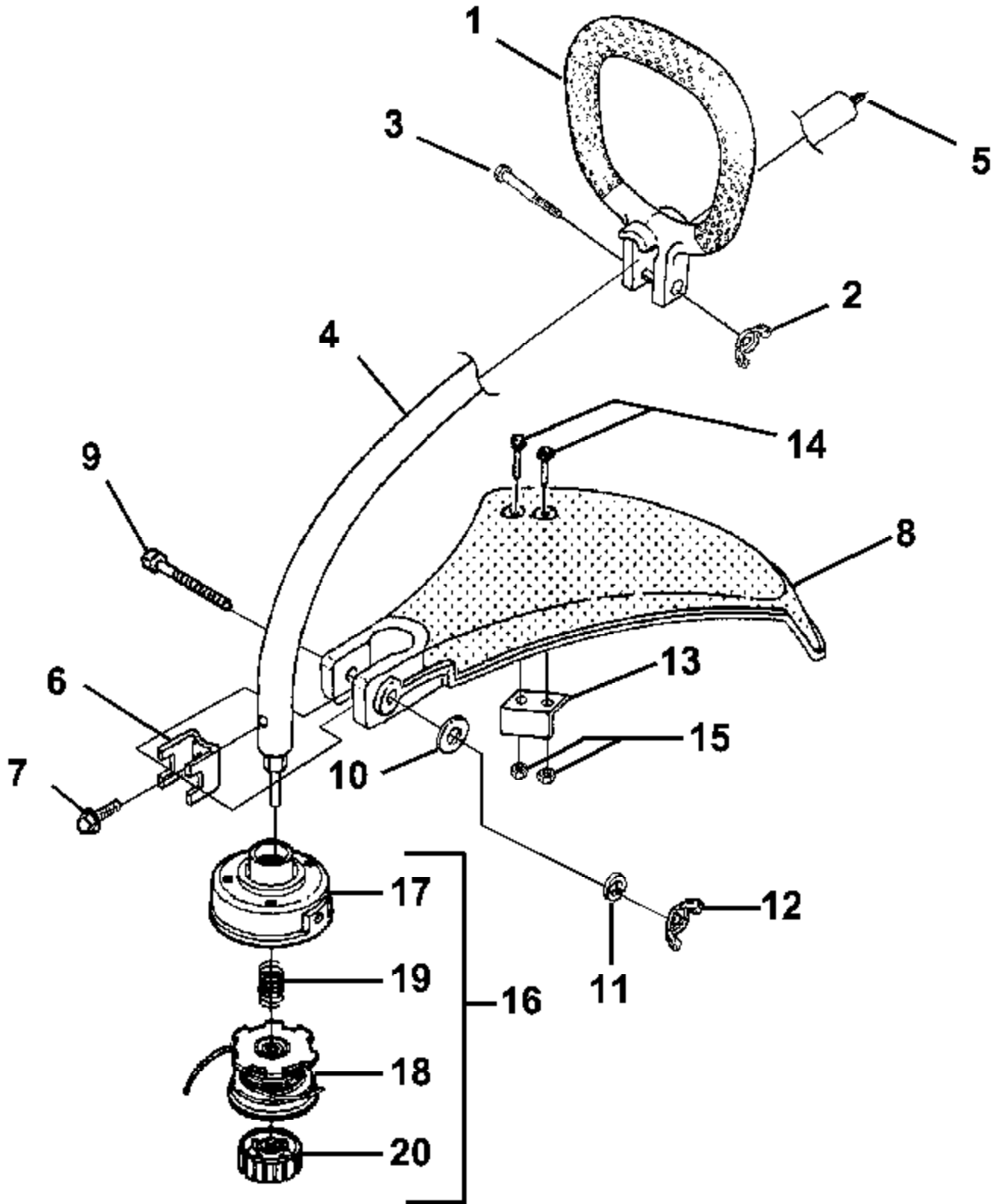
[Order Homelite Trimlite Parts on eBay](#)





Ref #	Part Number	Qty	Description
A	UP04634	1	MUFFLER ASSY.
1	UP04258	3	SCREW, Taptite- (8-32 X 3/8") Torque Specs 25-35 In/Lbs
2	UP04629	1	SCREEN-Spark
3	UP04710	1	GASKET-Muffler
4	UP04258	2	SCREW, Truss Hd. - (10-24 X 2.188) Torque Specs 50-60 In/Lbs
D	A04707A	1	AIR FILTER KIT
5	D98760B	1	FILTER-Air
6	UP06341	1	BUTTON-Switch
7	UP04716	1	SPRING-Compression
8	UP04082	1	SCREW-Thread Form (6-19 x 1/2") Torque Specs 5-10 In/Lbs
9	UP04690	1	LEAD-Electrical
10	UP03885	2	NUT-Hex (10-24) Torque Specs 30-40 In/Lbs

[Order Homelite Trimlite Parts on eBay](#)



Ref #	Part Number	Qty	Description
1	UP03010	1	HANDLE ASSY.-Front
2	UP04262	1	NUT-Wing, Washer Faced (1/4-20) Torque Specs 5-25 In/Lbs
3	UP06523	1	SCREW-Cap Hex Hd.
4	UP04483	1	DRIVESHAFT HOUSING ASSY.
5	UP03031	1	SHAFT-Flexible
6	UP04137	1	CLAMP
7	UP04256	1	SCREW-Sems Hex Hd. (#10-24 X 3/8") Torque Specs 15-25 In/Lbs
8	UP06710	1	DEFLECTOR & BLADE KIT (55 Deg.)
9	UP06523	1	SCREW-Cap Hex Hd. (10-24 X 2")
10	UP03415	1	WASHER-Flat (1/4")
11	UP03409	1	WASHER-Lock (1/4")
12	UP04262	1	NUT-Wing, Washer Faced (1/4-20) Torque Specs 5-25 In/Lbs
13	UP04119	1	BLADE-Cut-Off
14	UP04159	2	SCREW-Mech. Hex Hd. (10-24 X 7/8")
15	UP03885	2	NUT-Hex (10-24) Torque Specs 30-40 In/Lbs
16	DA03001A	1	STRINGHEAD-Complete
17	UP06567	1	HOUSING & EYELET (Dual Line)
18	UP00145	1	SPOOL & STRING (.080" Line)
19	UP06526	1	SPRING-Compression
20	DA98866A	1	RETAINER-Spool (R.H.Thread, Black)

[Order Homelite Trimlite Parts on eBay](#)