

Homelite®

PARTS LIST



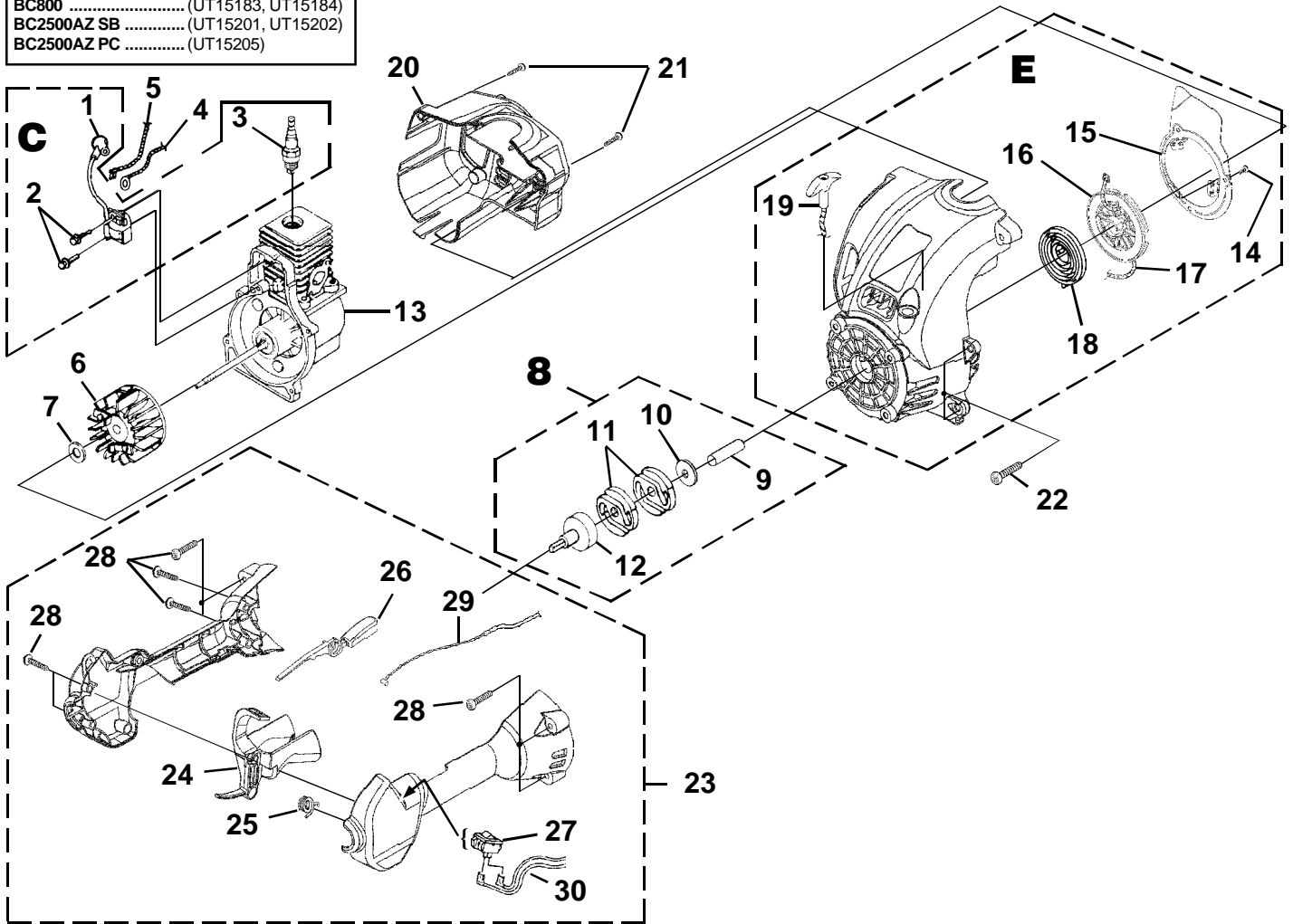
Trimmers/Brushcutters

C300 YardSmart™	UT20755,	UT20775
BC900 YardSmart™	UT15166,	UT15172
BC800	UT15183,	UT15184
BC2500AZ SB	UT15201,	UT15202
BC2500AZPC	UT15205	
YardSmart™ Attachments		
BA250	UT15511	
BCA250	UT15512	
EA250	UT15513	
CA250	UT15514	

PART NO. PS05000

C300 YardSmart™ (UT20755, UT20775)
 BC900 YardSmart™ ... (UT15166, UT15172)
 BC800 (UT15183, UT15184)
 BC2500AZ SB (UT15201, UT15202)
 BC2500AZ PC (UT15205)

IGNITION - ROTOR - STARTER - CLUTCH



No.	Part No.	Description	Qty.
C	•UP 05270	IGNITION KIT	1
1	UP 03868	TERMINAL & COVER	1
2	UP 03896	SCREW-Taptite (8-32 X 1")	2
3	UP 03883	SPARK PLUG	1
4	UP 04537	LEAD-Electrical	1
5	UP 04536	LEAD-Electrical	1
6	UP 03009	ROTOR KIT	1
7	UP 04241	WASHER-Flat	1
8	•UP 00034	CLUTCH AND DRUM KIT	1
9	UP 04118	SPACER	1
10	UP 04275	WASHER-Flat	1
11	UP 04103	CLUTCH	2
12	UP 04104	CONNECTOR AND DRUM	1
13	UP 02995	SHORT BLOCK (See Engine Internal)	1
E	•UP 02962	COMPLETE STARTER ASSEMBLY	1
14	Up 04164	SCREW-Thread Form (8-16 X 1/2")	3
15	UP 03013	BAFFLE-Air	1
16	UP 03012	PULLEY-Starter	1
17	UP 03912	ROPE-Starter (42")	1
18	UP 03917	SPRING & CONTAINER	1
19	UP 03026	GRIP-Starter (Yellow)	1
20	•UP 02965	HOUSING-Rear Kit	1
21	UP 03895	SCREW-Plastite (10-14 X 7/8")	2
22	UP 03406	SCREW-Taptite (10-24 X 3/4")	4

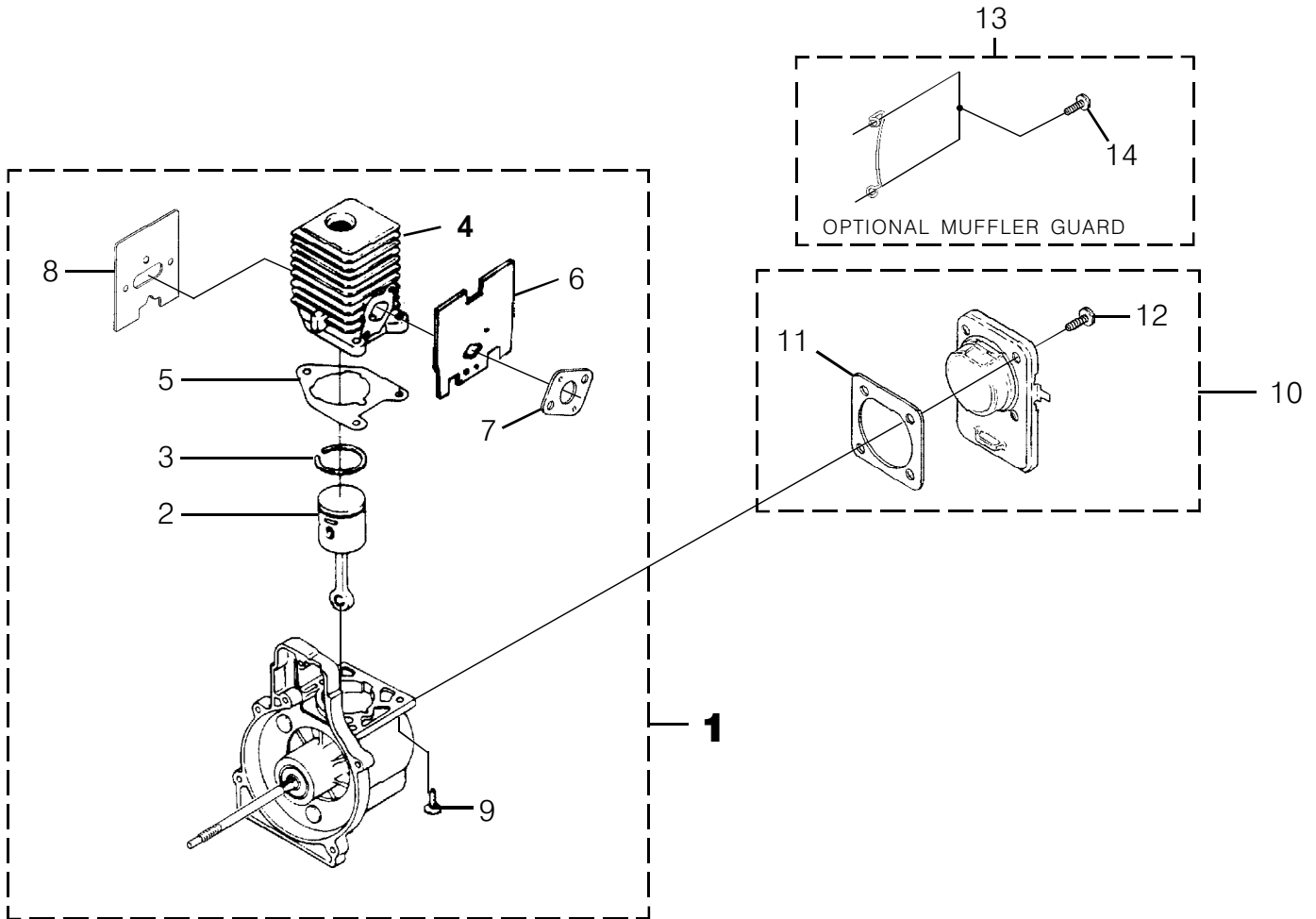
No.	Part No.	Description	Qty.
23	•UP 03114	CONTROL HANDLE ASSY.	1
24	•UP 03207	TRIGGER-Throttle	1
25	UP 03210	SPRING	1
26	UP 03173	THROTTLE INTERLOCK	1
27	UP 04197	SWITCH	1
28	UP 04247	SCREW-Taptite (10-14 X 1")	9
29	UP 03172	CABLE-Throttle	1
30	UP 03174	LEAD-Electrical	1

Torque Specs			
Item No.	In/Lbs	Nm	Required Loctite
2	30-40	3.4-4.5	Blue 242
3	120-180	13.6-20.3	
14	10-20	1.1-2.3	
21	30-50	3.4-5.6	
22	30-40	3.4-4.5	
28	30-50	3.4-5.6	

Warranty Flat Rate		
Job	Description	Time/Hr.
FA11	Ignition Mod.	.3
FA12	Ground Lead	.3
FG10	Starter	.4
FD12	Engine Housing, Rear	.4
FF13	Trigger, Throttle cable	.3

C300 YardSmart™ (UT20755, UT20775)
 BC900 YardSmart™ ... (UT15166, UT15172)
 BC800 (UT15183, UT15184)
 BC2500AZ SB (UT15201, UT15202)
 BC2500AZ PC (UT15205)

ENGINE INTERNAL



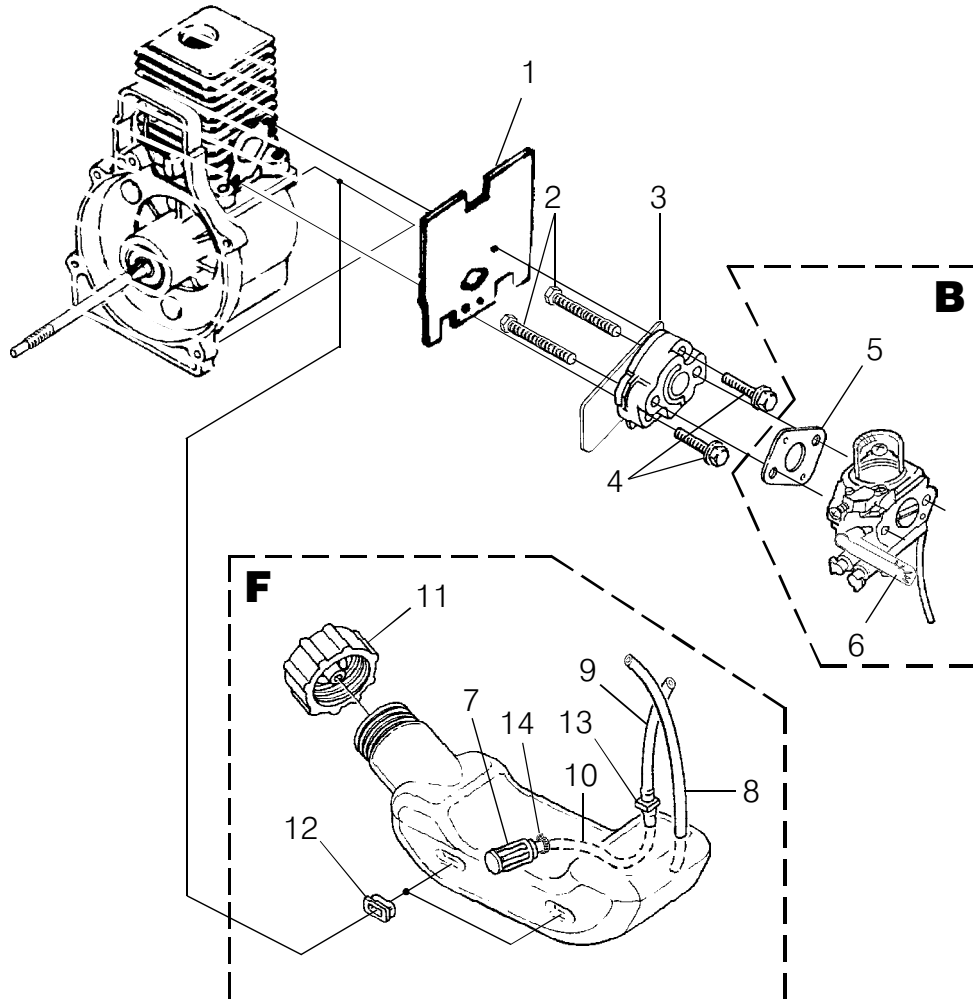
No.	Part No.	Description	Qty.
1	• UP 02995	SHORT BLOCK	1
2	• UP 00768	PISTON & ROD ASSY.	1
3	UP 03838	RING-Piston	1
4	• UP 04136	CYLINDER ASSY.	1
5	UP 03857	GASKET-Cylinder	1
6	UP 04308	GASKET-Heat Dam	1
7	UP 03916	GASKET-Carburetor	1
8	UP 04710	GASKET-Muffler	1
9	UP 04345	SCREW-Sems (12-24 X 3/4")	3
10	• UP 00019	CRANKCASE COVER ASSEMBLY	1
11	UP 04335	GASKET-Crankcase Cover (Also included w/short block)	1
12	UP 04295	SCREW-Sems (10-24 X 1/2")	4
13	• UP 00027	MUFFLER GUARD	3
14	UP 03897	SCREW-Plastite (10-14 X 1/2")	2

Torque Specs			
Item No.	In/Lbs	Nm	Required Loctite
9	55-65	6.2-7.3	Red 262
12	35-45	4.0-5.1	Red 262
14	5-20	.6-2.3	

Warranty Flat Rate		
Job	Description	Time/Hr.
FB10 Partial Rebuild	1.0
FB20 Short Block	1.0
FD25 Crankcase Cover	.3

CARBURETOR - FUEL TANK

C300 YardSmart™ (UT20755, UT20775)
 BC900 YardSmart™ ... (UT15166, UT15172)
 BC800 (UT15183, UT15184)
 BC2500AZ SB (UT15201, UT15202)
 BC2500AZ PC (UT15205)



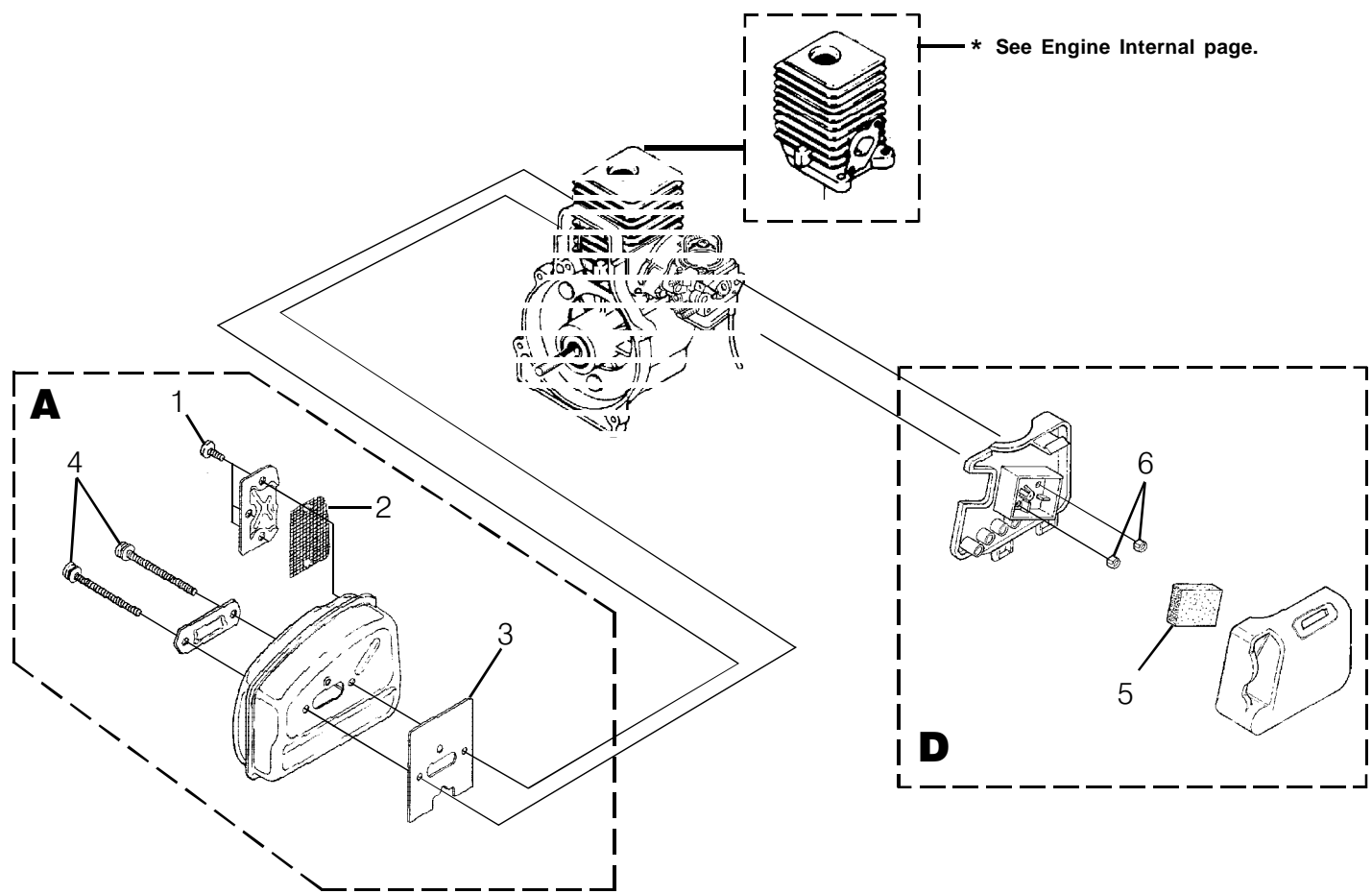
No.	Part No.	Description	Qty.
1	UP 04308	GASKET-Heat Dam	1
2	UP 04131	SCREW-Machine (10-24 X 2 1/4")	2
3	UP 04348	HEAT DAM	1
4	UP 04140	SCREW-Sems (10-24 X 1")	2
B	•UP 05110	CARBURETOR KIT	1
5	UP 03916	GASKET-Carburetor	1
6	UP 05810	LEVER-Choke-Auto Zip	1
F	•UP 05396	FUEL TANK ASSY.	1
7	UP 03871	FILTER-Fuel	1
8	UP 04293	TUBING-Rubber	1
9	UP 04292	TUBING-Rubber	1
10	UP 04715	TUBING-Rubber	1
11	UP 00106	FUEL CAP	1
12	UP 03501	BUMPER-Rubber	3
13	UP 04310	FITTING-Inline	1
14	UP 03913	CLAMP	1

Torque Specs			
Item No.	In/Lbs	Nm	Required Loctite
4	35-45	4.0-5.1	Red 262

Warranty Flat Rate		
Job	Description	Time/Hr.
FF17	Manifold	.3
FF10	Carburetor Rep.	.3
FF16	Fuel Tank	.3
FF12	Fuel/Return Line	.3

C300 YardSmart™ (UT20755, UT20775)
 BC900 YardSmart™ ... (UT15166, UT15172)
 BC800 (UT15183, UT15184)
 BC2500AZ SB (UT15201, UT15202)
 BC2500AZ PC (UT15205)

MUFFLER - AIR CLEANER



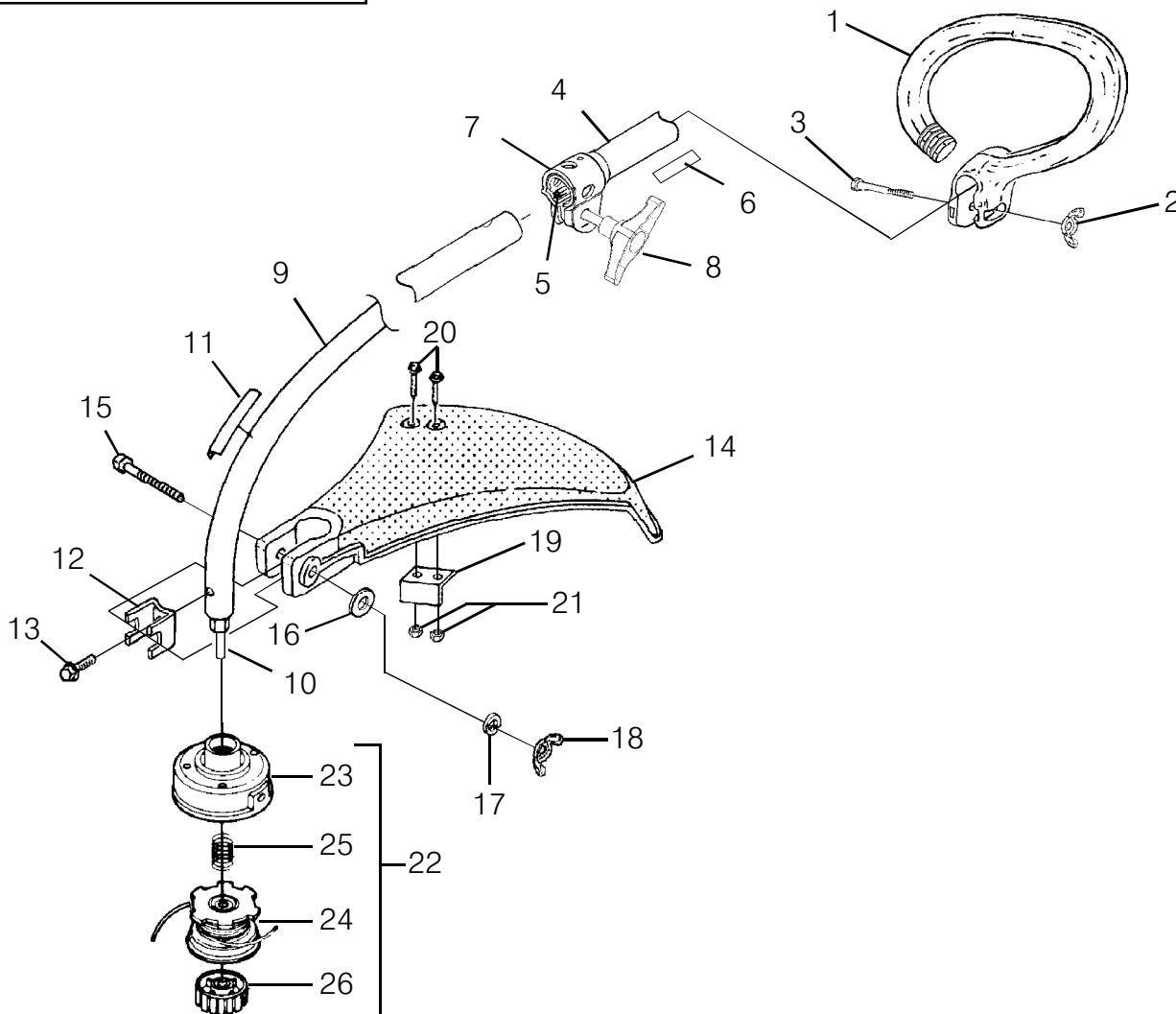
No.	Part No.	Description	Qty.
A	•UP 04634	MUFFLER ASSY.	1
1	UP 04248	SCREW, Taptite- (8-32 X 3/8")	3
2	UP 04629	SCREEN-Spark	1
3	UP 04710	GASKET-Muffler	1
4	UP 04258	SCREW, Truss Hd. - (10-24 X 2.188)	2
D	•UP 05084	AIR FILTER KIT	1
5	D 98760 B	FILTER-AIR	1
6	UP 03885	NUT-Hex (10-24)	2

Torque Specs			
Item No.	In/Lbs	Nm	Required Loctite
1	25-35	2.8-4.0	
4	50-60	5.6-6.8	
6	30-40	3.4-4.5	

Warranty Flat Rate		
Job	Description	Time/Hr.
FB18	Muffler-Replace	.3
FF42	Air Filter Assy.	.2

C300 YardSmart™ (UT20755, UT20775)
 BC2500AZ SB (UT15201, UT15202)

SHAFT - SPOOL & STRING - GRASS DEFLECTOR



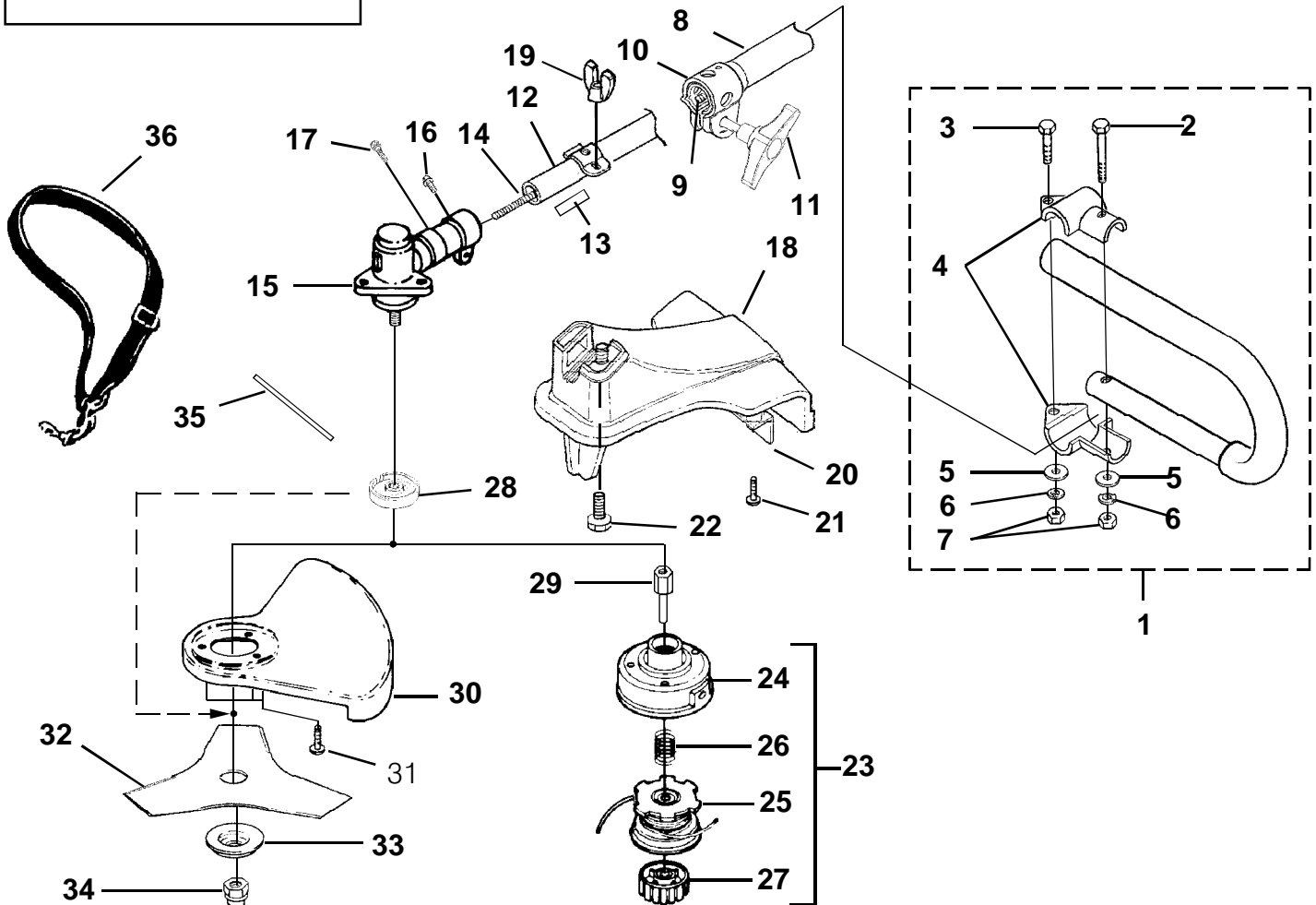
No.	Part No.	Description	Qty.
1	•UP 06959	HANDLE-Anti-Vibe	1
2	UP 04262	NUT-Wing, Washer Faced (1/4-20)	1
3	UP 06523	SCREW-Cap Hex Hd. (1/4-20 x 2")	1
4	•UP 05136	DRIVESHAFT ASSY. (Upper)	1
5	A 07667	FLEXSHAFT w/Collar & Liner	1
6	UP 04116	DECAL-Warning	1
7	•UP 03839	COUPLER ASSEMBLY	1
8	UP 05137	KNOB	1
9	•UP 03851	DRIVESHAFT HOUSING (Lower)	1
10	UP 04541	SHAFT-Flex	1
11	UP 04352	DECAL-Warning	1
12	UP 04137	CLAMP	1
13	UP 04256	SCREW-Sems Hex (10-24 X 3/8")	1
14	•UP 06710	DEFLECTOR & BLADE KIT (55 Deg.)	1
15	UP 06523	SCREW-Cap Hex Hd. (1/4-20 X 2")	1
16	UP 03415	WASHER-Flat (1/4")	1
17	UP 03409	WASHER-Lock (1/4")	1
18	UP 04262	NUT-Wing, Washer Faced (1/4-20)	1
19	•UP 04119	BLADE-Cut-Off	1
20	UP 04159	SCREW-Mech. Hex Hd. (10-24 X 7/8")	2
21	UP 03885	NUT-Hex (10-24)	2

No.	Part No.	Description	Qty.
22	•DA 03001 A	STRINGHEAD-Complete (.080")	1
23	UP 06567	HOUSING & EYELET (Dual Line)	1
24	•UP 00145	SPOOL & STRING (.080")	1
25	UP 06526	SPRING-Compression	1
26	DA 98866 A	RETAINER-Spool (R.H. Thread, Black)	1

Torque Specs			
Item No.	In/Lbs	Nm	Required Loctite
2	5-25	.6-2.8	
13	15-25	1.7-2.8	
18	5-25	.6-2.8	
21	30-40	3.4-4.5	

Warranty Flat Rate		
Job	Description	Time/Hr.
FM10	...Stringhead Assy.2
FN12	...Driveshaft (Upper)3
FN13	...Driveshaft Housing3
FN16	...Deflector2
CD98	...Coupler-Shaft3

SHAFT - SPOOL & STRING - GRASS DEFLECTOR



No.	Part No.	Description	Qty.
1	• UP 06534	HANDLE("J")	1
2	UP 04154	SCREW-Hex Hd. (1/4-20 X 1 1/2")	1
3	UP 04158	SCREW-Hex Hd. (1/4-20 X 1")	1
4	UP 04105	CLAMP-Handle Bar	2
5	UP 04251	WASHER-Flat (1/4")	2
6	UP 03409	WASHER-Lock (1/4")	2
7	UP 03399	NUT-Hex (1/4-20)	2
8	• UP 05136	DRIVESHAFT HOUSING (Upper)	1
9	A 07667	FLEXSHAFT-w/Collar & Liner	1
10	• UP 03839	COUPLER KIT	1
11	UP 05137	KNOB	1
12	• UP 03956	DRIVESHAFT HOUSING (Lower)	1
13	UP 04116	DECAL-Warning	1
14	UP 04369	SHAFT-Flexible	1
15	• UP 04124	GEAR HEAD	1
16	UP 05572	Screw, Cap Hd. (1/4-20 X 7/8")	5
17	UP 04254	Screw-Hex Hd. (10-24 x 1/2")	2
18	• UP 05086	GRASS DEFLECTOR KIT	1
19	UP 04893	WING NUT	1
20	• UP 04890	BLADE-Cut-Off	1
21	UP 03898	SCREW, Thread Form. (10-24 X 3/4")	2
22	UP 04892	SCREW-Square Head	1
23	• DA 04592 A	STRINGHEAD-Complete (.080")	1
24	UP 06567	HOUSING & EYELET (Dual Line)	1
25	• UP 00145	SPOOL & STRING (.080")	1
26	UP 06526	SPRING-Compression	1
27	UP 00104	RETAINER-Spool (L.H. Thread, Red)	1

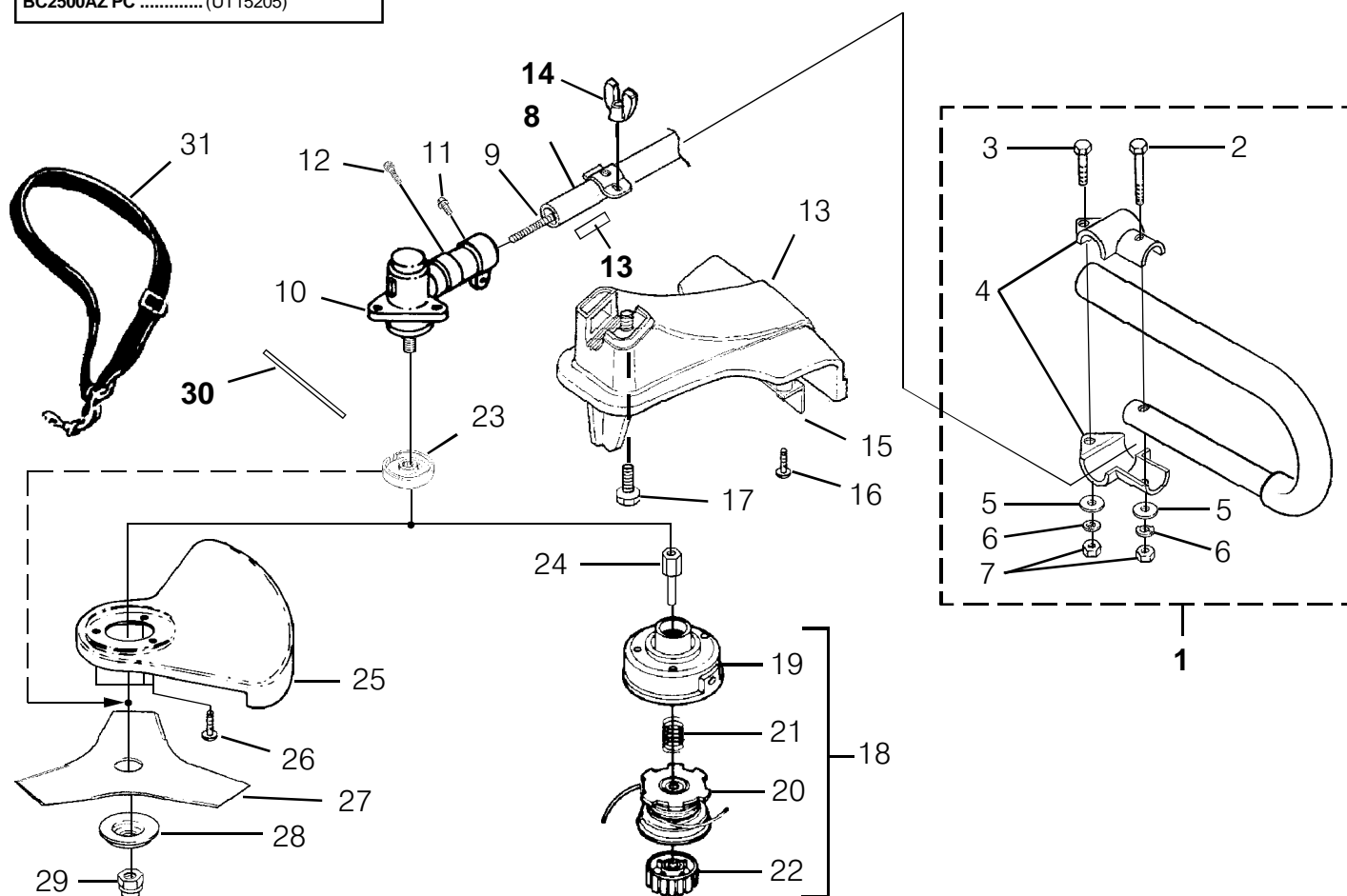
No.	Part No.	Description	Qty.
28	UP 04126	WASHER-Flanged	1
29	UP 04269	ADAPTER-Shaft	1
30	• UP 05070	BLADE GUARD	1
31	UP 04254	SCREW	3
32	D 98717 C	BLADE-Tri-Arc™	1
33	UP 04129	WASHER-Cupped (Lower)	1
34	UP 04127	NUT-Hex (L.H.)	1
35	UP 04100	TOOL-Holding Pin	1
36	UP 00108	HARNESS	1

Torque Specs			
Item No.	In/Lbs	Nm	Required Loctite
7	90-100	10.2-11.3	
16	15-20	1.7-2.3	
17	40-50	4.5-5.6	
21	30-50	3.4-5.6	
29	100-120	11.3-13.6	
31	15-20	1.7-2.3	
34	100-120	11.3-13.6	

Warranty Flat Rate		
Job	Description	Time/Hr.
FM10	... Stringhead Assy.2
FN12	... Driveshaft (Upper)3
FN13	... Driveshaft Housing4
FN15	... Gearhead3
FN16	... Deflector3

BC800(UT15183, UT15184)
 BC2500AZ PC(UT15205)

SHAFT - SPOOL & STRING - GRASS DEFLECTOR



No.	Part No.	Description	Qty.
1	• UP 06534	HANDLE("J")	1
2	UP 04154	SCREW-Hex Hd. (1/4-20 X 1 1/2")	1
3	UP 04158	SCREW-Hex Hd. (1/4-20 X 1")	1
4	UP 04105	CLAMP-Handle Bar	2
5	UP 04251	WASHER-Flat (1/4")	2
6	UP 03409	WASHER-Lock (1/4")	2
7	UP 03399	NUT-Hex (1/4-20)	2
8	• UP 05071	DRIVESHAFT HOUSING	1
9	UP 05072	FLEXSHAFT	1
10	• UP 04124	GEAR HEAD	1
11	UP 05572	Screw, Cap Hd. (1/4-20 X 7/8")	5
12	UP 04254	Screw-Hex Hd. (10-24 x 1/2")	2
13	• UP 05086	GRASS DEFLECTOR KIT	1
14	UP 04893	WING NUT	1
15	• UP 04890	BLADE-Cut-Off	1
16	UP 03898	SCREW, Thread Form. (10-24 X 3/4")	2
17	UP 04892	SCREW-Square Head	1

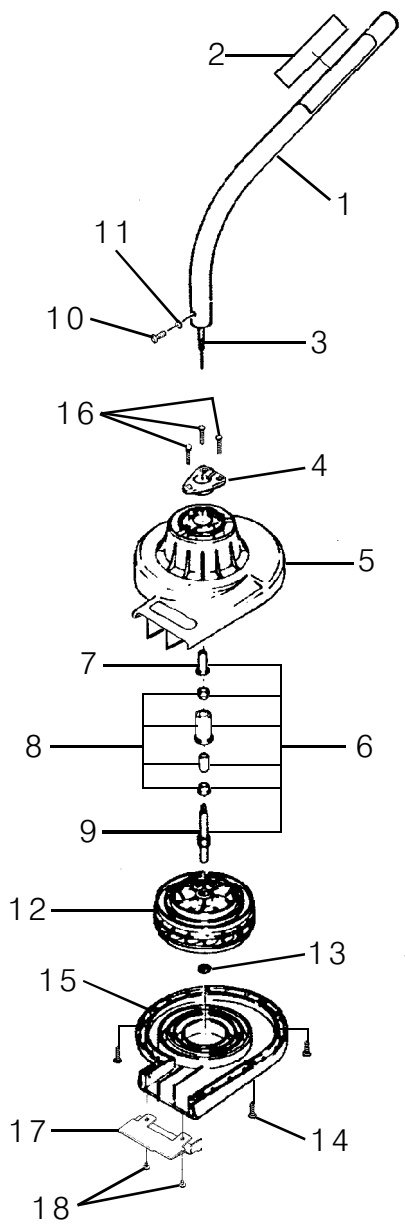
No.	Part No.	Description	Qty.
18	• DA 04592 A	STRINGHEAD-Complete (.080")	1
19	UP 06567	HOUSING & EYELET (Dual Line)	1
20	• UP 00145	SPOOL & STRING (.080")	1
21	UP 06526	SPRING-Compression	1
22	UP 00104	RETAINER-Spool (L.H. Thread, Red)	1
23	UP 04126	WASHER-Flanged	1
24	UP 04269	ADAPTER-Shaft	1
25	• UP 05070	BLADE GUARD	1
26	UP 04254	SCREW	3
27	D 98717 C	BLADE-Tri-Arc™	1
28	UP 04129	WASHER-Cupped (Lower)	1
29	UP 04127	NUT-Hex (L.H.)	1
30	UP 04100	TOOL-Holding Pin	1
31	UP 00108	HARNES	1

Warranty Flat Rate		
Job	Description	Time/Hr.
FM10	Stringhead Assy.	.2
FN13	Driveshaft Housing	.4
FN15	Gearhead	.3
FN16	Deflector	.3

Torque Specs			
Item No.	In/Lbs	Nm	Required Loctite
7	90-100	10.2-11.3	
11	15-20	1.7-2.3	
12	40-50	4.5-5.6	
16	30-50	3.4-5.6	
24	100-120	11.3-13.6	
26	15-20	1.7-2.3	
29	100-120	11.3-13.6	

C300 YardSmart™ (UT20755, UT20775)
 BC900 YardSmart™ ... (UT15166, UT15172)
 BC2500AZ SB (UT15201, UT15202)

BLOWER ATTACHMENT - BA250 (UT15511)



No.	Part No.	Description	Qty.
1	•UP 03920	DRIVESHAFT HOUSING	1
2	07852	DECAL-Warning	1
3	UP 04542	CABLE-Flex	1
4	UP 04142	CLAMP	1
5	UP 06874	UPPER HOUSING	1
6	•UP 06875	BEARING HOUSING	1
7	UP 04713	ADAPTER-Arbor	1
8	UP 06876	BUSHING	1
9	UP 04699	SHAFT-Arbor	1
10	UP 04112	SCREW (10-24 x .312")	1
11	UP 04123	WASHER, Lock (#10)	1
12	UP 04714	IMPELLER	1
13	UP 04701	CLIP	1
14	UP 04141	SCREW, Pan Hd. (8-16 x .750)	1
15	UP 04697	LOWER HOUSING	1
16	UP 04250	SCREW-Thread Forming (8-16 x 1")	1
17	UP 04145	GUARD-Lower Housing	1
18	GM 01110 8	SCREW (10-16 x 1/4")	1

Item No.	Torque Specs		Required Loctite
	In/Lbs	Nm	
10	25-35	2.8-4.0	
14	35-45	4.0-5.1	
16	35-45	4.0-5.1	
18	5-20	.56-2.3	

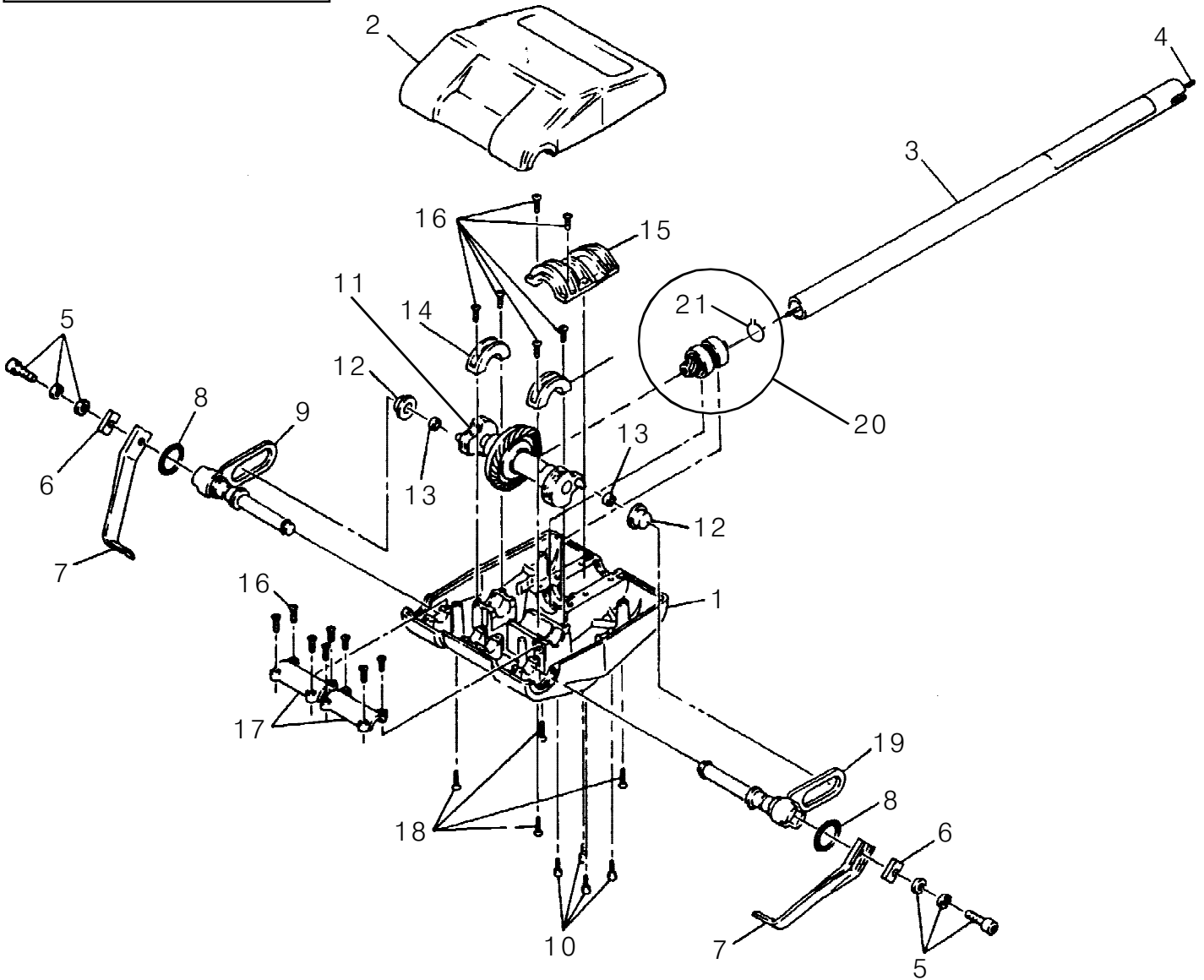
Warranty Flat Rate		
Job	Description	Time/Hr.
CD81	Fan, Blower	.4
FN12	Driveshaft	.2
FN13	Driveshaft Hsg.	.3

* **Note:** Blower must be completely disassembled to install the flex cable.

3/8/2001

C300 YardSmart™ (UT20755, UT20775)
 BC900 YardSmart™ (UT15166, UT15172)
 BC2500AZ SB (UT15201, UT15202)

CULTIVATOR ATTACHMENT - CA250 (UT15514)

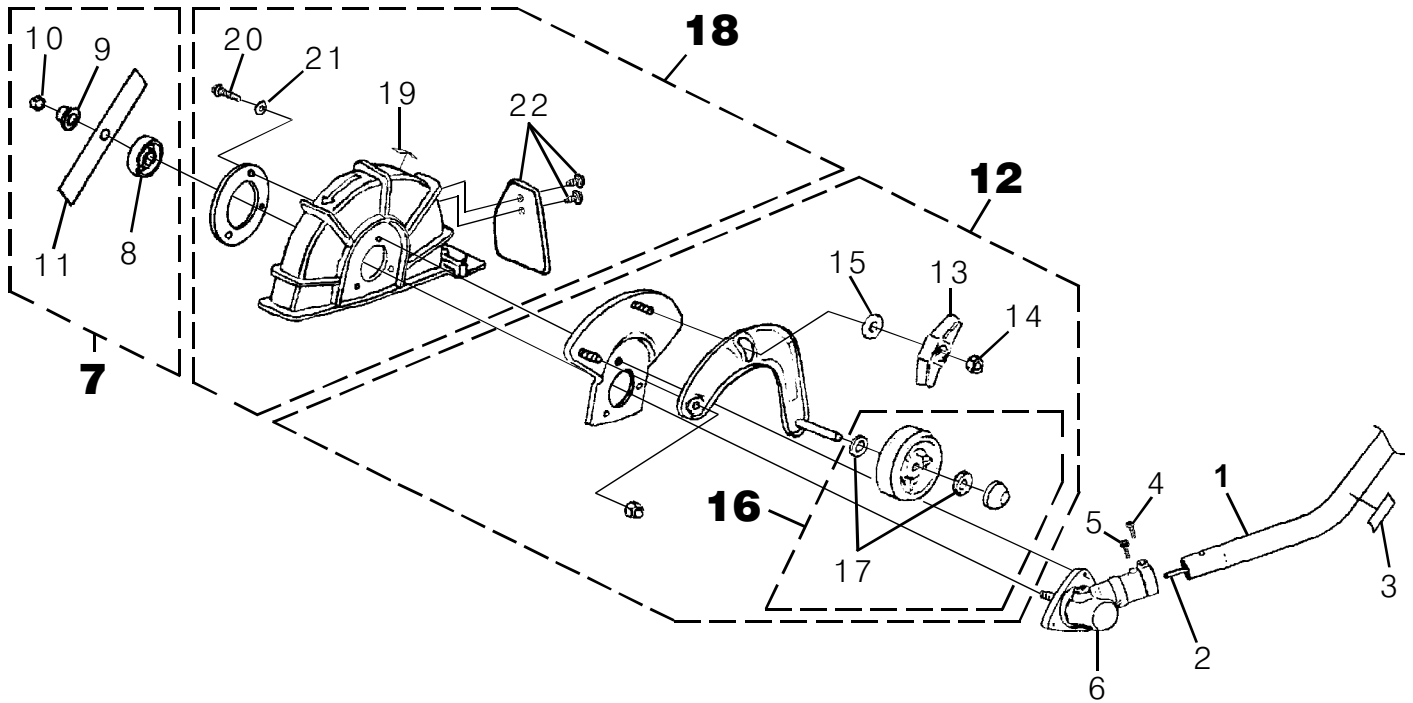


No.	Part No.	Description	Qty.
1	GM 23610 3	LOWER COVER	1
2	A 07934	UPPER HOUSING	1
3	•UP 04025	DRIVESHAFT HOUSING	1
4	A 08177	FLEX CABLE	1
5	GM 97030 7	BOLT-Sems (1/4 - 28 x 1")	2
6	GM 23670 6	SUPPORT-Tine	2
7	GM 97690 3	TINE	2
8	GM 23570 1	"O" RING	2
9	A 07868	ROCKER ARM (L.H.)	1
10	82618	SCREW, Thread Form (10-24 x 3/4")	4
11	• A 07867	CRANK ASSY.	1
12	A 07870	FLOATING BUSHING	2
13	GM 23690 3	WASHER	2
14	GM 23610 6	CRANKSHAFT CLAMP	2
15	GM 23610 4	SHAFT CLAMP	1
16	82618	SCREW, Thread Form (10-24 x 3/4")	14

No.	Part No.	Description	Qty.
17	GM 23610 5	SHAFT CLAMP	2
18	GM 01130 8	SCREW (8-16 x 1")	4
19	A 07869	ROCKER ARM (R.H.)	1
20	• A 07866	PINNON GEAR & BEARING	1
21	GM 06210 1	SNAP RING	1

C300 YardSmart™ (UT20755, UT20775)
 BC900 YardSmart™ ... (UT15166, UT15172)
 BC2500AZ SB (UT15201, UT15202)

EDGER ATTACHMENT - EA250 (UT15513)



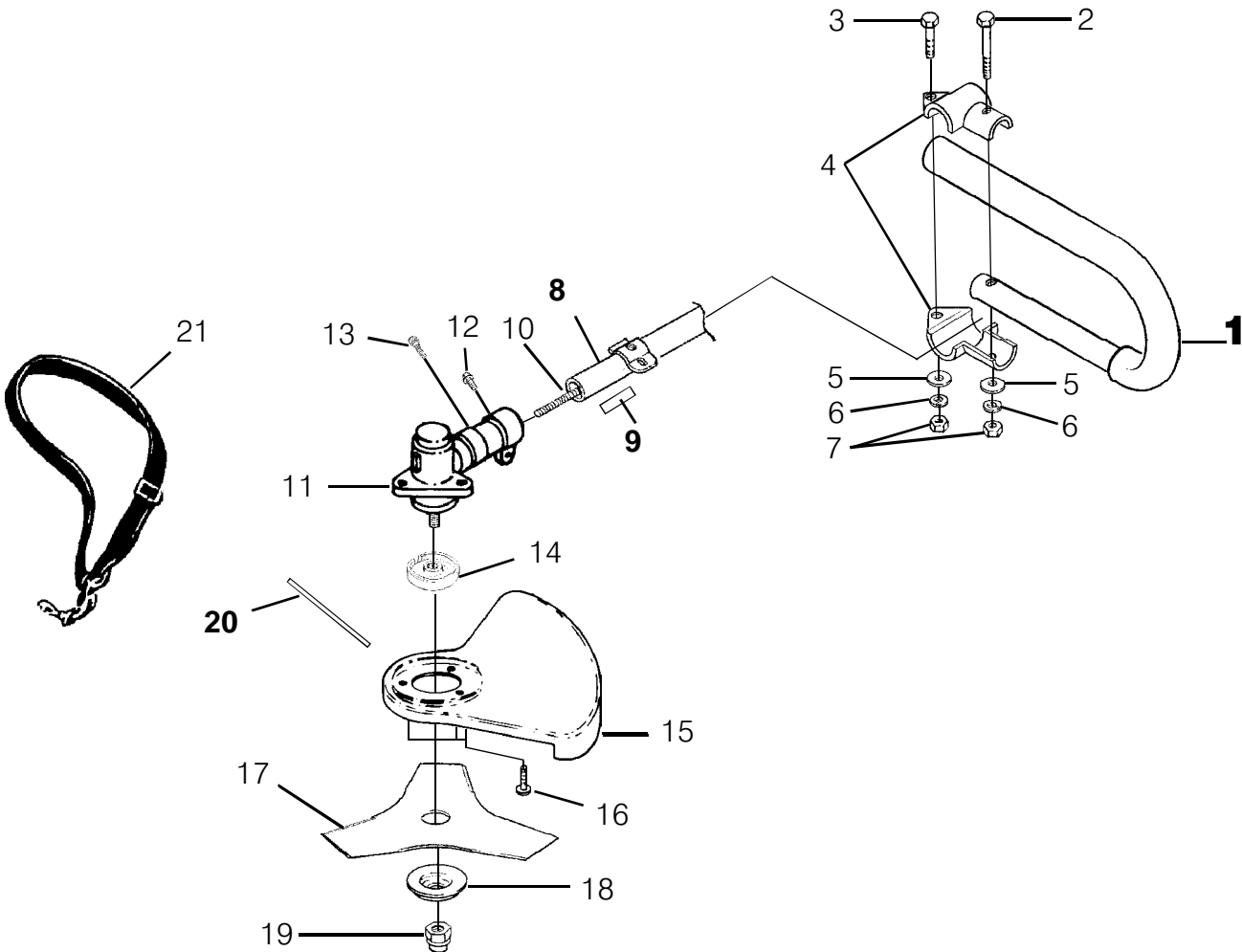
No.	Part No.	Description	Qty.
1	• UP 03921	DRIVESHAFT HOUSING	1
2	UP 04369	SHAFT-Flexible	1
3	UP 04116	DECAL-Warning	1
4	UP 05572	SCREW-Cap Socket Hd. (1/4-20 X 7/8")	1
5	UP 04254	SCREW-Sems Hex Hd. (10-24 X 1/2")	1
6	UP 04124	GEAR HEAD	1
7	• UP 06879	BLADE KIT	1
8	UP 04126	WASHER-Flanged	1
9	UP 04129	WASHER-Flanged (Lower)	1
10	UP 04127	NUT-Lock	1
11	D 04359 A	BLADE (2" X 9") (Qty.-2)	1
12	• UP 06881	SUPPORT ARM ASSEMBLY	1
13	UP 04132	KNOB-Adjusting	1
14	UP 03397	NUT-Hex	1
15	UP 04252	WASHER-Flat	1
16	• UP 06882	WHEEL KIT	1
17	UP 04252	WASHER-Flat	2
18	• UP 06738	GUARD KIT	1
19	UP 04532	DECAL-Warning	1
20	UP 04155	SCREW-Hex Hd. (10-24 X 5/8")	3
21	UP 03411	WASHER-Lock (#10)	3
22	UP 06883	FLAP KIT	1

Item No.	Torque Specs		Required Loctite
	In/Lbs	Nm	
4	40-50	4.5-5.6	
5	40-50	4.5-5.6	
10	100-120	11.3-13.6	
20	40-50	4.5-5.6	

Warranty Flat Rate		
Job	Description	Time/Hr.
FN15 Gearhead4
JE20 Wheel Assembly3
JE26 Wheel/Axle3
JR11 Blade Cutter3
FN12 Driveshaft3
FN13 Driveshaft Hsg.3
FN16 Bladeguard4

C300 YardSmart™ (UT20755, UT20775)
 BC900 YardSmart™ ... (UT15166, UT15172)
 BC2500AZ SB (UT15201, UT15202)

BRUSHCUTTER ATTACHMENT - BCA250 (UT15512)



No.	Part No.	Description	Qty.
1	• UP 06534	HANDLE("J")	1
2	UP 04154	SCREW-Hex Hd. (1/4-20 X 1 1/2")	1
3	UP 04158	SCREW-Hex Hd. (1/4-20 X 1")	1
4	UP 04105	CLAMP-Handle Bar	2
5	UP 04251	WASHER-Flat (1/4")	2
6	UP 03409	WASHER-Lock (1/4")	2
7	UP 03399	NUT-Hex (1/4-20)	2
8	• UP 03956	DRIVESHAFT HOUSING (Lower)	1
9	UP 04116	DECAL-Warning	1
10	UP 04369	SHAFT-Flexible	1
11	• UP 04124	GEAR HEAD	1
12	UP 05572	Screw, Cap Hd. (1/4-20 X 7/8")	5
13	UP 04254	Screw-Hex Hd. (10-24 x 1/2")	2
14	UP 04126	WASHER-Flanged	1
15	• UP 05070	BLADE GUARD	1
16	UP 04254	SCREW	3
17	D 98717 C	BLADE-Tri-Arc™	1
18	UP 04129	WASHER-Cupped (Lower)	1
19	UP 04127	NUT-Hex (L.H.)	1
20	UP 04100	TOOL-Holding Pin	1
21	UP 00108	HARNES	1

Torque Specs			
Item No.	In/Lbs	Nm	Required Loctite
7	90-100	10.2-11.3	
12	15-20	1.7-2.3	
13	40-50	4.5-5.6	
19	100-120	11.3-13.6	

Warranty Flat Rate		
Job	Description	Time/Hr.
FN12	Driveshaft	.3
FN15	Gearhead	.3
FN16	Blade Guard	.3
FD20	Front Handle	.2

ACCESSORIES

GREASE, MULTI-PURPOSE	18453	STRINGHEAD-Complete - E-Z Line™	DA 04591 A
MODULE AIR GAP SHIM	PS 24306	(.095 Line) (Right Hand Thread) (Black Retainer)	
GRASS ANTI-WRAP KIT	A 04191	STRINGHEAD-Complete - E-Z Line™	DA 03174 A
STARTER ROPE (250 Ft. Reel)	98052 A	(.095 Line) (Left Hand Thread) (Red Retainer)	
TORX BIT (T25)	UP 06544	REPLACEMENT STRING - E-Z Line™ (3 lb. Box) ...	03959 04
(For Clutch Drums)		(.095" Dia.)	
TORX BIT (T27)	UP 07160	STRINGHEAD-Complete-Pro-Cut™ Fixed Line Head	DA
IGNITION TEST SPARK PLUG	JA 31316 4	09364	
RUBBER TUBING (10 Ft.)	UP 05860	(.105" Dia.)	
STRINGHEAD-Complete - E-Z Line™	DA 03001 A	REPLACEMENT DuraLine™ (.105" Dia.)	D 09365
(.080 Line) (Right Hand Thread) (Black Retainer)		(Cartridges for Pro-Cut™ Fixed Line Head)	
STRINGHEAD-Complete - E-Z Line™	DA 04592 A	SAFETY GOGGLES	A 06933
(.080 Line) (Left Hand Thread) (Red Retainer)		DUST MASK	UP 03036
REPLACEMENT STRING - E-Z Line™ (3 lb. Box)	98011 06	COMFORT STRAP	UP 00108
(.080" Dia.)			

YARDSMART® Attachments

BA250 (Blower Attachment)	UT15511
BCA250 (Brushcutter Attachment)	UT15512
EA250 (Edger Attachment)	UT15513
CA250 (Cultivator Attachment)	UT15514

FOR USE ON BRUSHCUTTER UNITS ONLY

TRI-ARC™ BLADE	D 98717 C
----------------------	-----------