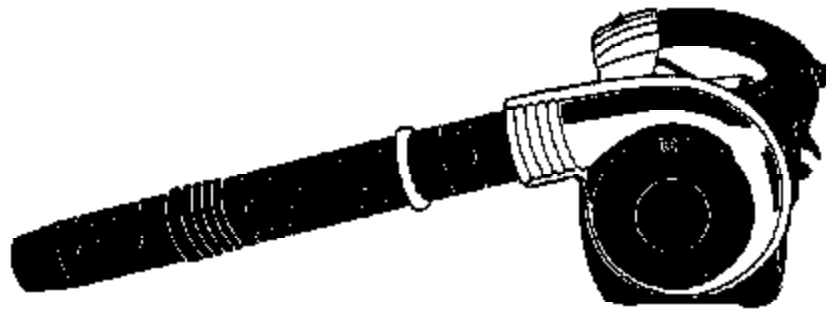


Homelite®

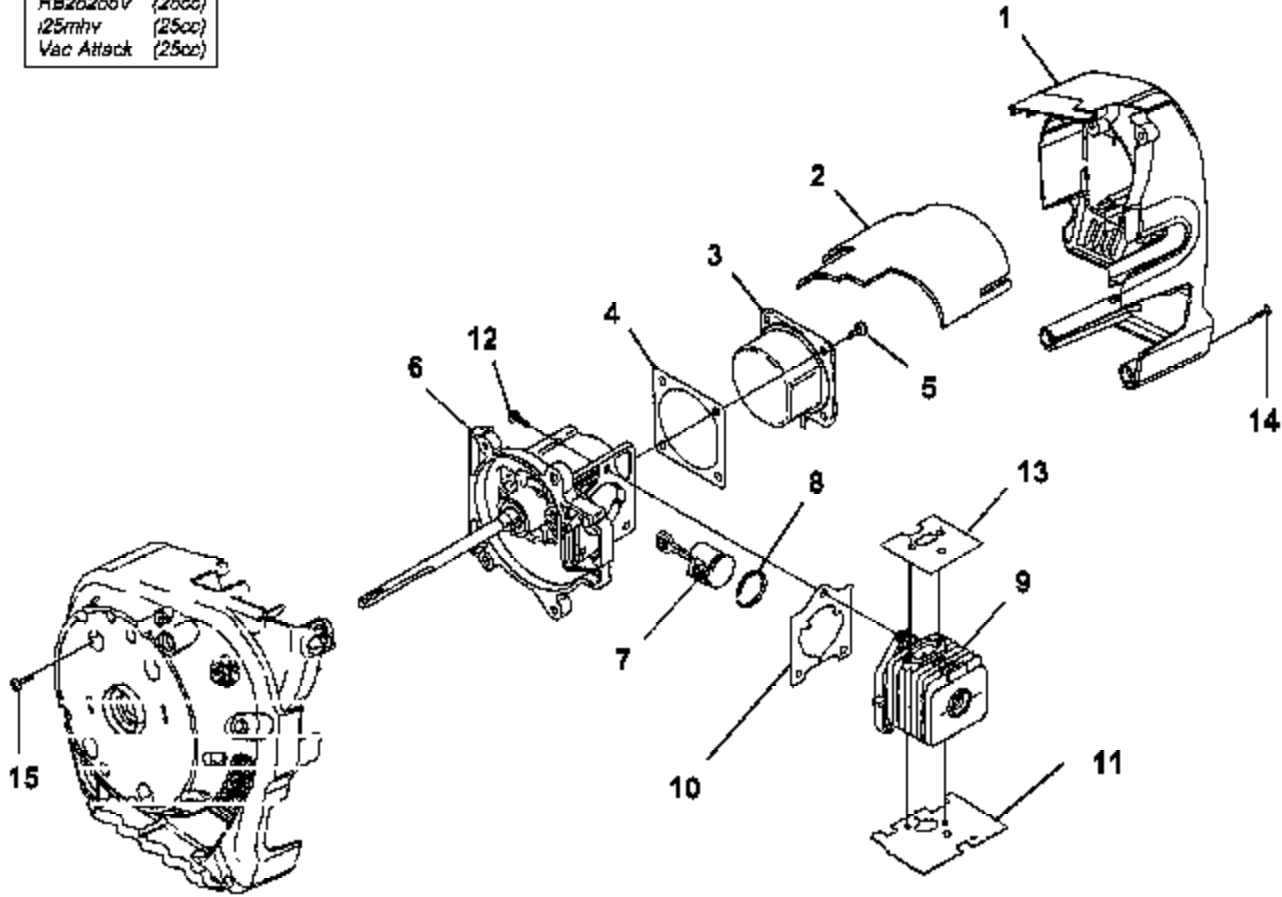
PARTS LIST



| | | | |
|--------------------------|-----------|----------|---------|
| d25mhv | UT08067C, | UT08084, | UT08105 |
| HB25255V | UT08100, | UT08121 | |
| i25mhv | UT08090 | | |
| Vac Attack™ | UT08052C, | UT08085, | UT08107 |

| Models | |
|------------|--------|
| d25mhv | (25cc) |
| HB26265V | (26cc) |
| i25mhv | (25cc) |
| Vac Attack | (25cc) |

ENGINE INTERNAL



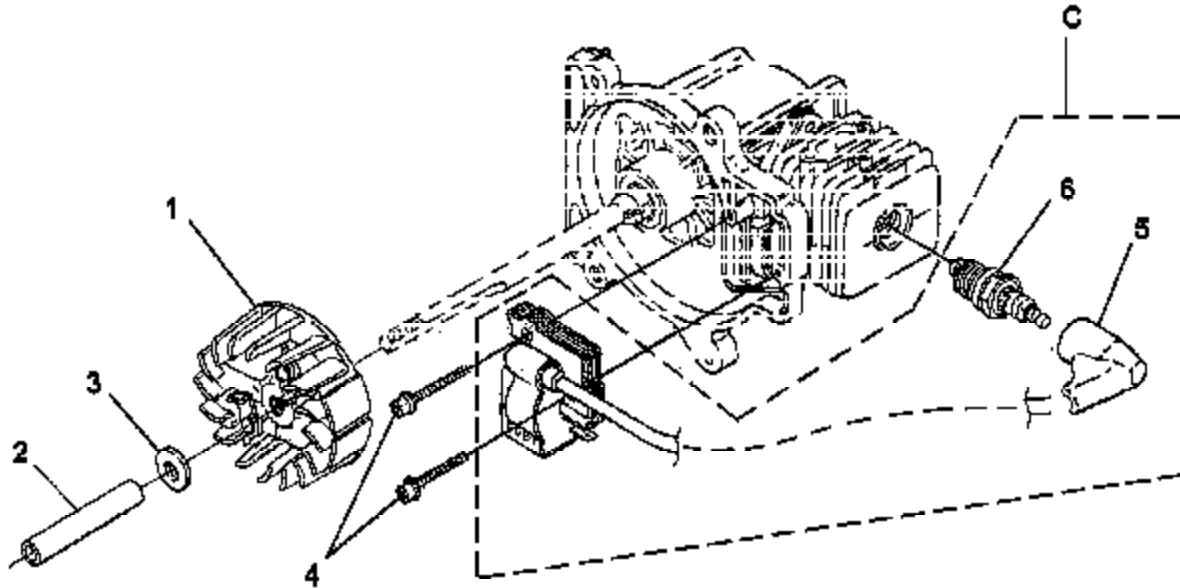
| NO | PART NO | DESCRIPTION | Qty |
|----|----------|-------------------------------------|-----|
| 1 | UP 04314 | Shroud | 1 |
| 2 | UP 04322 | Heat Shield, Muffler | 1 |
| 3 | UP 08543 | Crankcase Cover | 1 |
| 4 | UP 04335 | Gasket, C/Case | 1 |
| 5 | UP 04295 | Screw, Sems (10-24 x 5/60) | 4 |
| 6 | UP 03369 | Short Block (Svc) (25cc) | 1 |
| 7 | UP 00758 | Piston & Rod (25cc) | 1 |
| 8 | UP 09838 | Piston Ring (25cc) | 1 |
| 9 | UP 04136 | Cylinder Kit (25cc) | 1 |
| 10 | UP 09857 | Gasket, Cylinder | 1 |
| 11 | UP 04308 | Gasket, Heat Dam | 1 |
| 12 | UP 04345 | Screw, Sems (12-24 x 3/4) | 3 |
| 13 | UP 09817 | Gasket, Muffler | 1 |
| 14 | UP 09895 | Screw, Thread Forming (10-14 x 7/8) | 5 |
| 15 | UP 03408 | Tap/die, Truss (10-24 x 3/4) | 4 |

| Item No | Torque Specs | | Required Loctite |
|---------|--------------|---------|------------------|
| | In/Lbs | Nm | |
| 5 | 35-45 | 4.0-5.1 | 262 Red |
| 12 | 55-65 | 6.2-7.3 | 262 Red |
| 14 | 30-40 | 3.4-4.6 | |
| 15 | 55-60 | 6.2-6.8 | |

| Warranty Flat Rate | | |
|--------------------|------------------------|---------|
| Job | Description | Time/hr |
| CB20 | Short Block | 1.0 |
| CD22 | Shroud | .3 |
| CB21 | Crankcase Cover | .3 |
| CB10 | Partial Engine Rebuild | 1.0 |

| Models | |
|---------------|--------|
| d25mhv | (25cc) |
| HB25255V .. | (25cc) |
| i25mhv | (25cc) |
| Vac Attack .. | (25cc) |

IGNITION



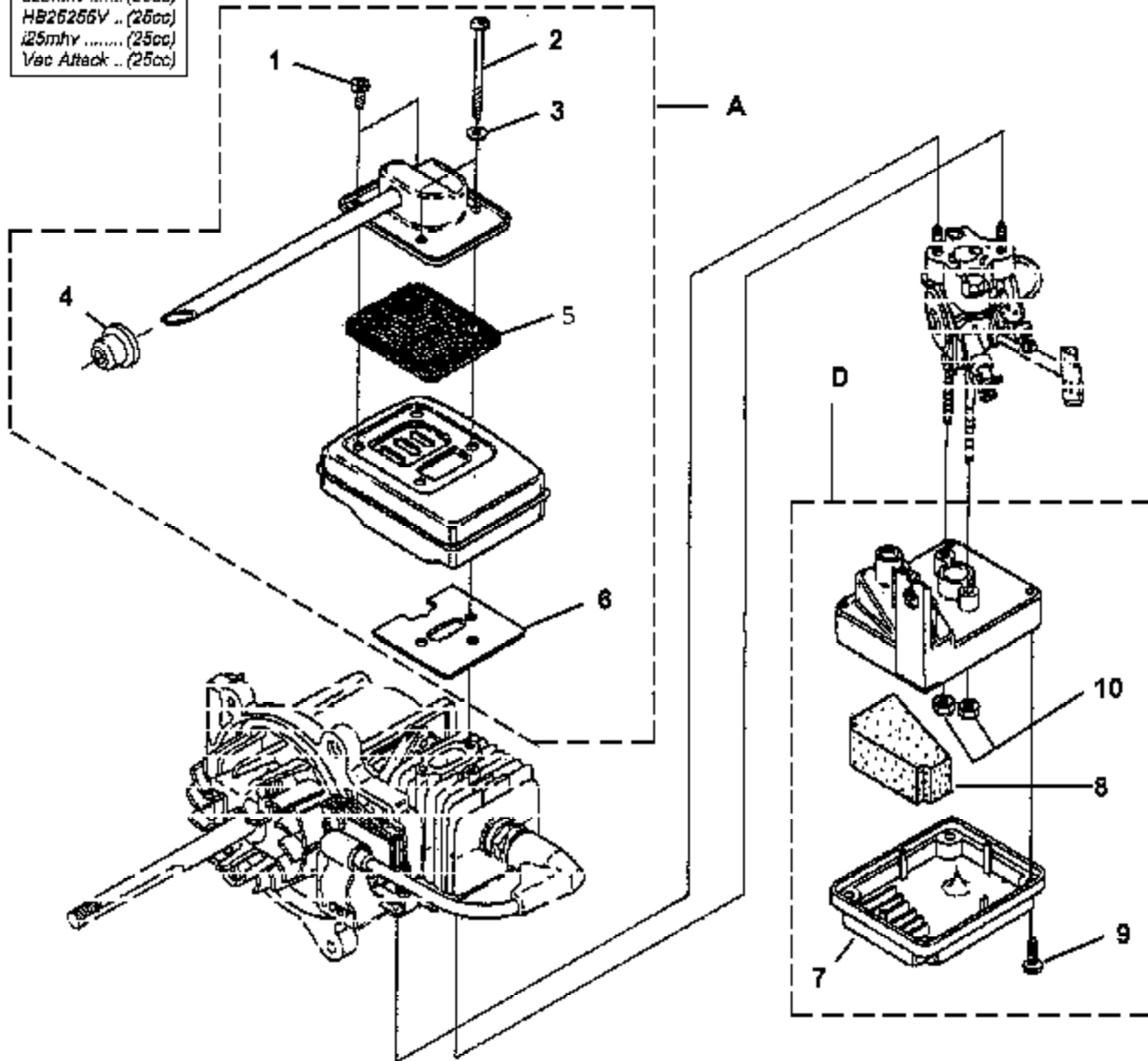
| NO. | PART NO. | DESCRIPTION | Qty. |
|-----|-----------|---------------------------------|------|
| 1 | UP 08009 | Rotor & Starter Pawls | 1 |
| 2 | UP 09855 | Spacer | 1 |
| 3 | UP 09908 | Washer, Flat | 1 |
| 4 | UP 08898 | Screw-Thread Forming (8-32 X 1) | 2 |
| C | •UP 06784 | Ignition Kit w/Ignition Module | 1 |
| 6 | UP 09868 | Terminal & Cover | 1 |
| 8 | UP 09889 | Retractor Spark Plug (RDJ-7Y) | 1 |

| Item No. | Torque Specs | | Required Locks |
|----------|--------------|-----------|----------------|
| | In/Lbs | Nm | |
| 4 | 30-40 | 3.4-4.5 | 242 Blue |
| 6 | 120-180 | 13.6-20.8 | |

| Warranty Flat Rate | | | |
|--------------------|---------------------|-------|-----|
| Job | Description | Time | Hr. |
| FA22 | ... Rotor | | 7 |
| FA18 | ... Ignition Module | | 7 |

| Models | |
|---------------|--------|
| d25mhy | (25cc) |
| HB26256V .. | (26cc) |
| i25mhy | (25cc) |
| Vac Attack .. | (25cc) |

MUFFLER - AIR CLEANER



| NO. | PART NO. | DESCRIPTION | Qty. |
|-----|----------|--|------|
| A | UP 06823 | Muffler Assembly, Crimped | 1 |
| 1 | UP 04248 | Screw, Taplike (8-32 x 3/8) | 2 |
| 2 | UP 04248 | Screw, Torx Truss Hd. (10-24 X 2.188") | 2 |
| 3 | UP 03866 | Washer, Conical #10 | 2 |
| 4 | UP 04321 | Muffler Grommet | 1 |
| 5 | UP 04316 | Screen Assy., Spark | 1 |
| 6 | UP 03817 | Gasket, Muffler * | 1 |
| D | UP 06824 | Air Filter Assembly | 1 |
| 7 | UP 04316 | Cover, Air Box | 1 |
| 8 | UP 04323 | Filter Element #1 | 1 |
| 9 | UP 03893 | Screw, Thread Forming (8-16 X .50) | 4 |
| 10 | UP 03886 | Nut, Lock Hex (10-24) | 2 |

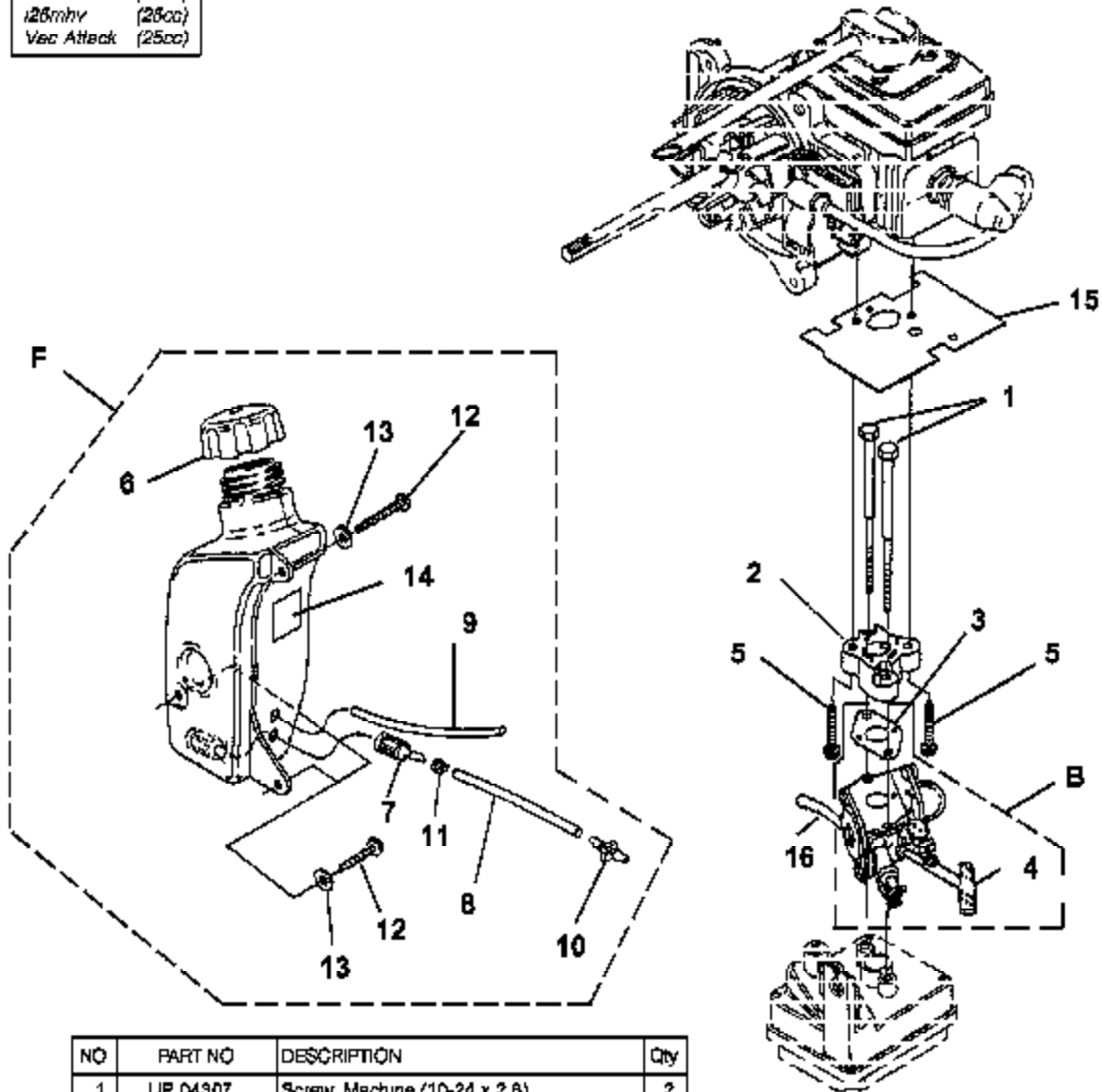
| Item No. | Torque Specs | | Required Loctite |
|----------|--------------|---------|------------------|
| | In/Lbs | Nm | |
| 1 | 20-30 | 2.3-3.4 | |
| 2 | 50-60 | 5.6-6.8 | |
| 9 | 30-40 | 3.4-4.5 | |
| 10 | 30-40 | 3.4-4.5 | |

| Warranty Flat Rate | | |
|--------------------|-----------------|----------|
| Job | Description | Time/Hr. |
| CB18 ... | Muffler Assy | 3 |
| CB22 ... | Spark Screen | 3 |
| CF42 ... | Air Filter Assy | 3 |

* Also included with Short Block and Cylinder Kits.

| Models | |
|------------|--------|
| d25mhv | (25cc) |
| HB25255V | (25cc) |
| i25mhv | (25cc) |
| Vac Attack | (25cc) |

CARBURETOR - FUEL TANK



| NO | PART NO | DESCRIPTION | Qty |
|----|----------|---|-----|
| 1 | UP 04907 | Screw, Machine (10-24 x 2.6) | 2 |
| 2 | UP 09869 | Heat Dam | 1 |
| 3 | UP 00654 | Carburetor Assembly | 1 |
| 4 | UP 03916 | Gasket, Carburetor * | 1 |
| 4 | UP 04278 | Lever, Choke (Zama) | 1 |
| 5 | UP 04140 | Screw, Sems (10-24 x 1") * | 2 |
| F | UP 00495 | Fuel Tank Assy | 1 |
| 6 | UP 04708 | Fuel Cap | 1 |
| 7 | UP 03871 | Fuel Filter | 1 |
| 8 | UP 04947 | Tubing, Rubber (3") | 1 |
| 9 | UP 04294 | Tubing, Rubber (5") | 1 |
| 10 | UP 04810 | Fitting, Inlet (small for 2.5mm ID fuel line) | 1 |
| | UP 03831 | Fitting, Inlet (large for 3mm ID fuel line) | 1 |
| 11 | UP 09819 | Clamp, Wire | 1 |
| 12 | UP 09800 | Screw, Thread Forming (10-14 x 3/4) | 3 |
| 13 | UP 03987 | Washer | 3 |
| 14 | UP 09807 | Tap, Aluminum | 1 |
| 15 | UP 04908 | Gasket, Heat Dam * | 1 |
| 16 | UP 04294 | Tubing, Rubber (5") | 1 |

| Item No | Torque Specs | | Required Loctite |
|---------|--------------|------------|------------------|
| | In/Lbs | Nm | |
| 1 | 30-40 | 3.4-4.5 ** | |
| 5 | 50-80 | 5.6-8.8 | 262 Red |
| 12 | 30-40 | 3.0-4.0 | |

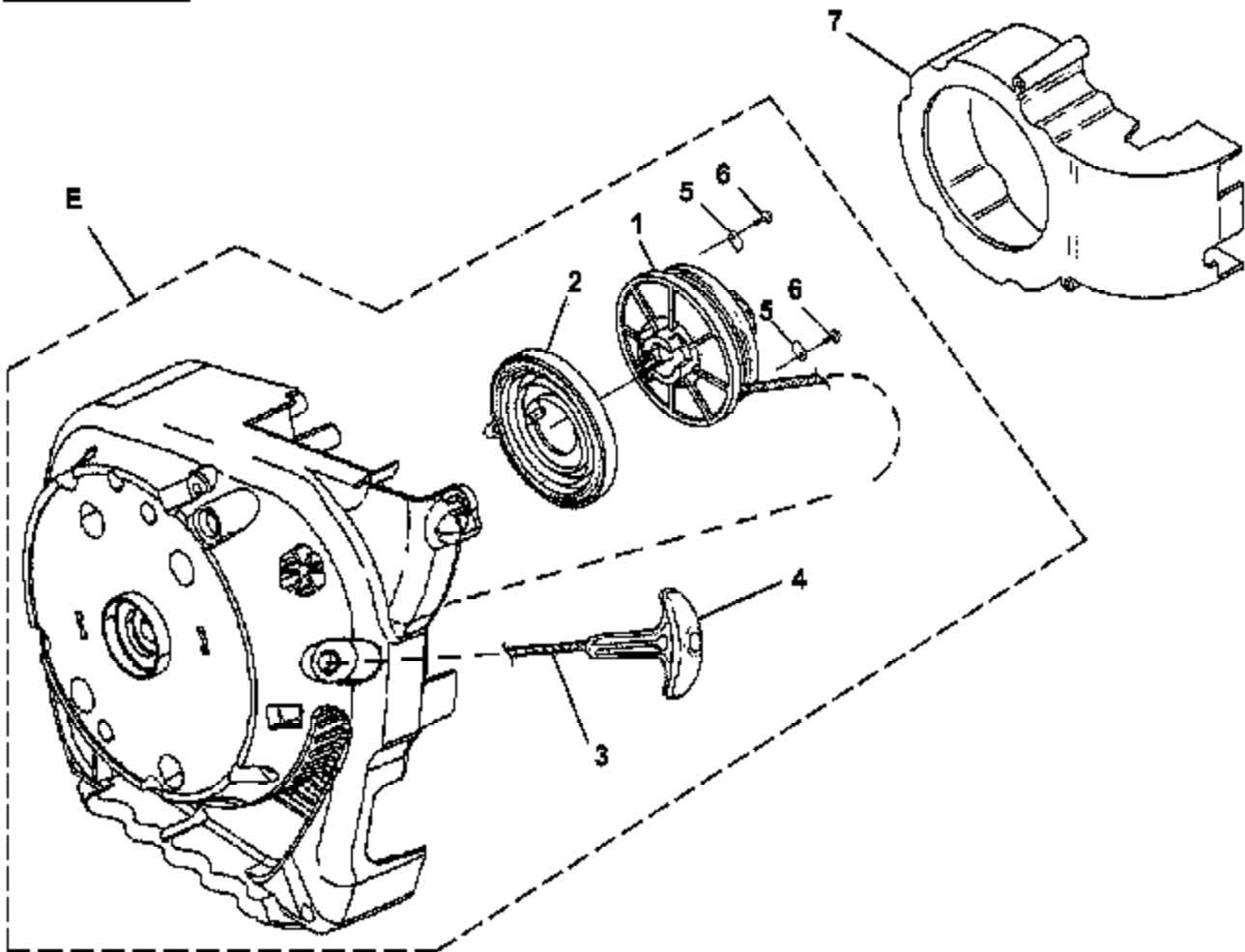
** See Torque Specs, page 4 - Item 10

| Job | Warranty Flat Rate | |
|------|-----------------------|---------|
| | Description | Time/Hr |
| CF17 | Heat Dam | 3 |
| CF10 | Carburetor/Replace | 3 |
| FF16 | Choke Lever | 3 |
| CF16 | Fuel Tank | 3 |
| CF12 | Fuel Line/Fuel Return | 3 |

* Also included with Cylinder Kit

| Models | |
|---------------|--------|
| d25mhv | (25cc) |
| HB25255V .. | (25cc) |
| i25mhv | (25cc) |
| Vac Attack .. | (26cc) |

STARTER



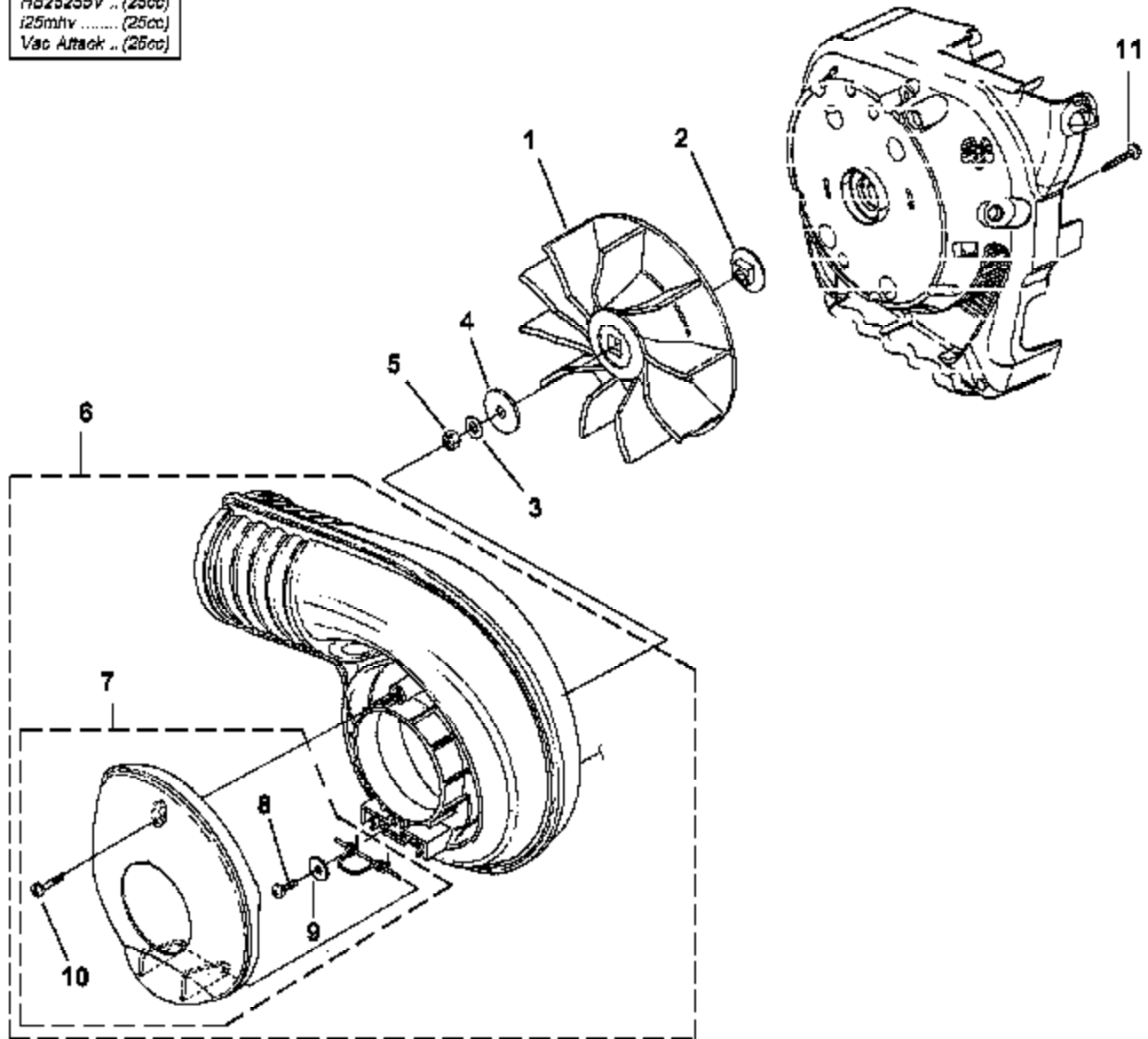
| NO. | PART NO. | DESCRIPTION | Qty. |
|-----|----------|--------------------------|------|
| E | UP 00497 | Starter (Svc) | 1 |
| 1 | UP 04348 | Pulley, Starter | 1 |
| 2 | UP 03817 | Spring & Container | 1 |
| 3 | UP 03812 | Rope, Starter 42" | 1 |
| 4 | UP 03026 | Grip, Starter (Yellow) | 1 |
| | UP 04276 | Grip, Starter (Black) | 1 |
| 5 | UP 03819 | Bracket-Retaining | 2 |
| 6 | UP 03807 | Screw-Plastic (#10-1/2") | 2 |
| 7 | UP 04818 | Scroll | 1 |

| Item No. | Torque Spec | | Required Loctite |
|----------|-------------|---------|------------------|
| | In/Lbs | Nm | |
| 8 | 30-40 | 3.4-4.5 | |

| Warranty Flat Rate | | |
|--------------------|--------------|----------|
| Job | Description | Time/Hr. |
| CG10 | Starter Assy | .8 |
| CD60 | Scroll | .8 |

| Models | |
|---------------|--------|
| d25mhv | (25cc) |
| HB25255V .. | (25cc) |
| i25mhv | (25cc) |
| Vac Attack .. | (25cc) |

VOLUTE - FAN



| NO. | PART NO. | DESCRIPTION | Qty. |
|-----|----------|-------------------------------------|------|
| 1 | UP 04311 | Fan | 1 |
| 2 | UP 04303 | Adapter, Fan | 1 |
| 3 | UP 03835 | Washer, Belleville | 1 |
| 4 | UP 03873 | Washer, Flat | 1 |
| 5 | UP 03884 | Nut (3/8-24) | 1 |
| 6 | UP 05699 | Volute W/Door Assembly | 1 |
| 7 | UP 08898 | Volute Door | 1 |
| 8 | UP 08897 | Screw, Thread Forming (10-14 X 1/2) | 1 |
| 8 | UP 03906 | Washer | 1 |
| 10 | UP 04647 | Screw, Machine (10-24 X 3/4) | 1 |
| 11 | UP 03885 | Screw, Plastic (10-14 X 7/8) | 5 |

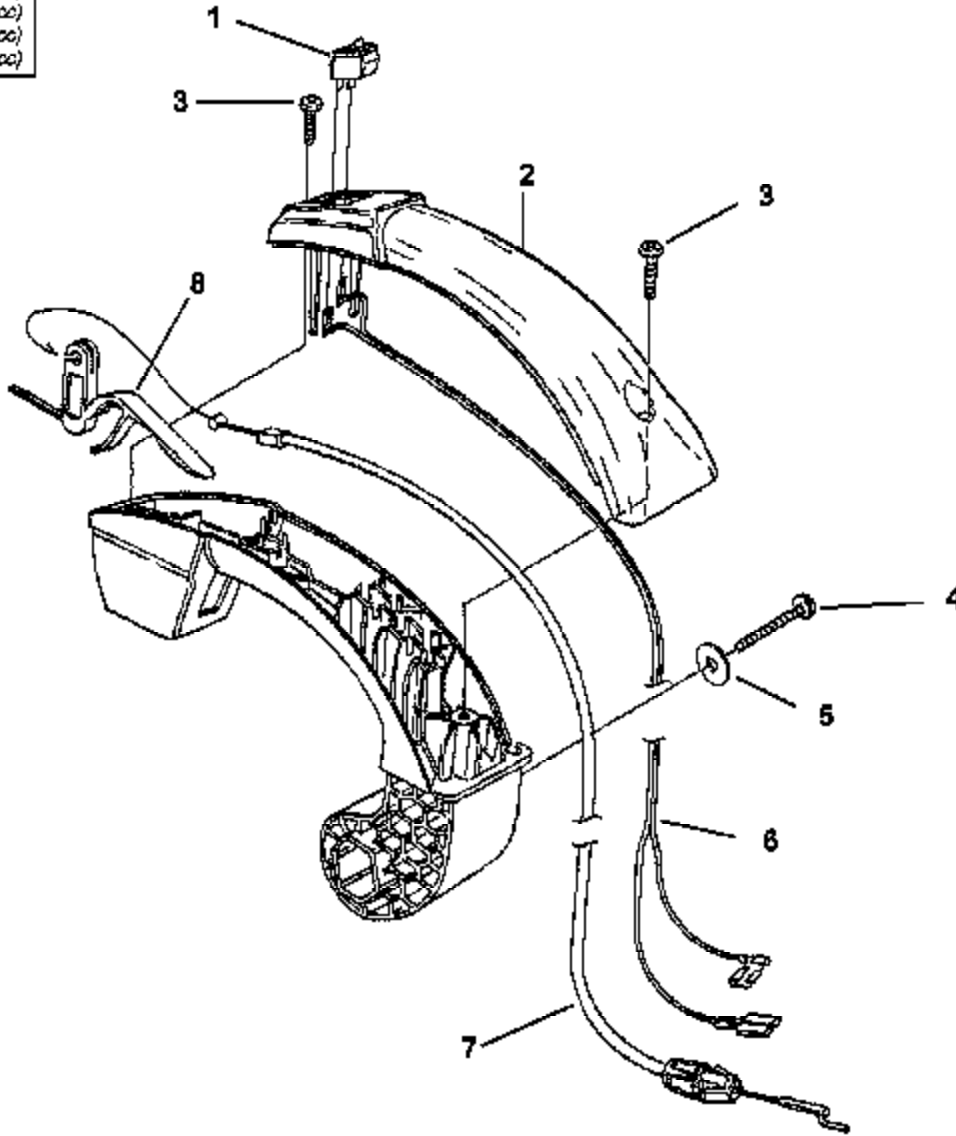
| Item No. | Torque Specs | | Required Location |
|----------|--------------|-----------|-------------------|
| | In/Lbs | Nm | |
| 5 | 130-150 | 14.7-17.0 | |
| 8 | 30-40 | 3.4-4.5 | |
| 10 | 15-20 | 1.7-2.3 | |
| 11 | 85-45 | 4.0-5.0 | |

| Job | Description | Warranty Flat Rate | |
|------|----------------|--------------------|------|
| | | Time | Rate |
| CD81 | .. Fan | 5 | |
| CD80 | .. Volute | 4 | |
| CD24 | .. Volute Door | 3 | |

11/02/000

| Models | |
|------------|--------|
| d23mhv | (25cc) |
| HB25255V | (25cc) |
| i25mhv | (25cc) |
| Vac Attack | (25cc) |

HANDLE



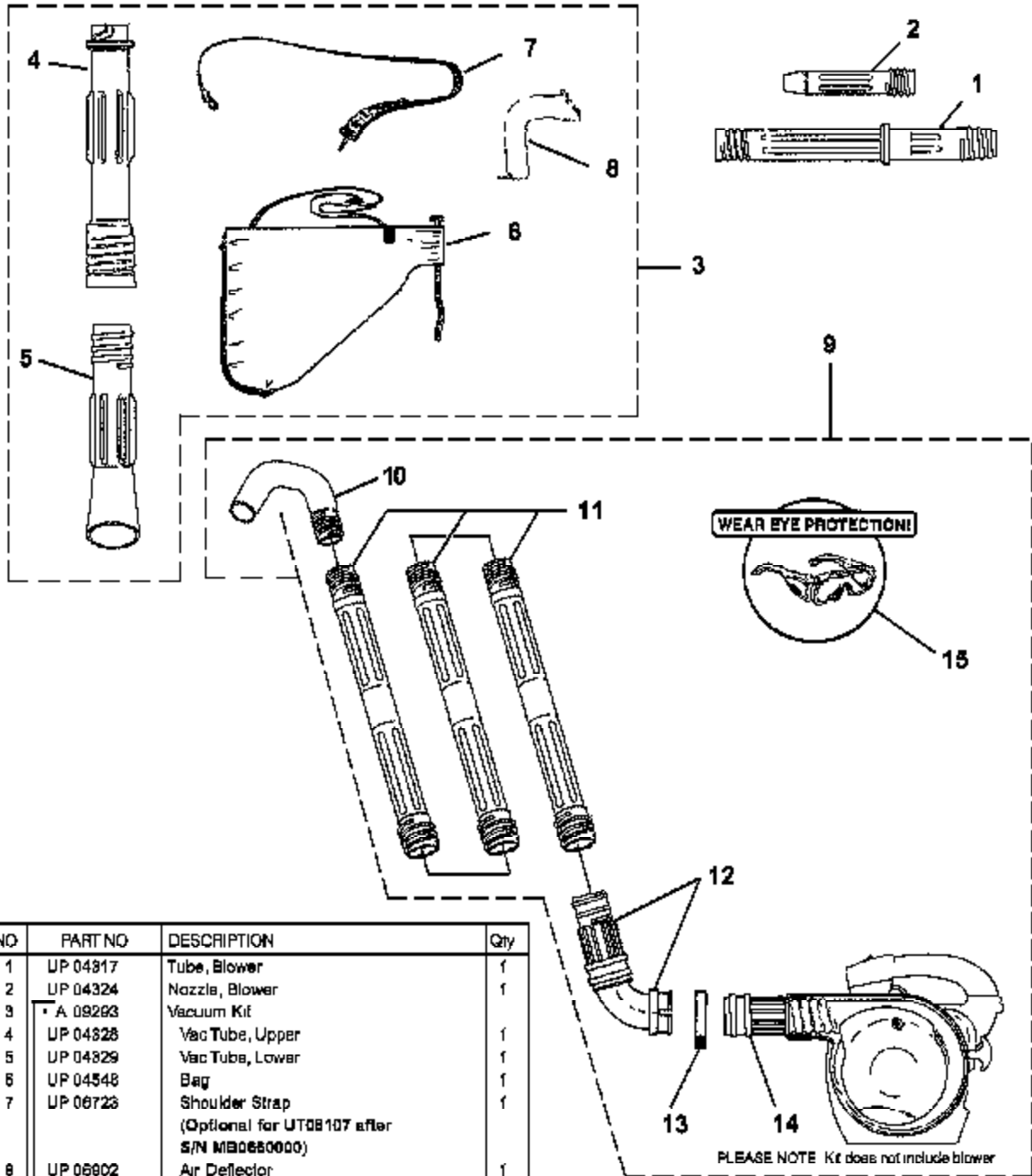
| NO | PART NO | DESCRIPTION | Qty |
|----|----------|-------------------------------------|-----|
| | UP 06900 | Handle Assembly | 1 |
| 1 | UP 04320 | Switch, Rocker (Stop) | 1 |
| 2 | UP 04325 | Handle Cover | 1 |
| 3 | UP 03896 | Screw, Thread Forming (8-16 X 1/2) | 2 |
| 4 | UP 03895 | Screw, Thread Forming (10-14 X 7/8) | 1 |
| 5 | UP 06901 | Washer, Flat | 1 |
| 6 | UP 04333 | Kill Switch Lead | 1 |
| 7 | UP 04327 | Cable, Throttle | 1 |
| 8 | UP 04326 | Trigger | 1 |

| Item No | Torque Specs | | Required Locks |
|---------|--------------|---------|----------------|
| | In.Lbs | Nm | |
| 3 | 10-25 | 1.1-2.8 | |
| 4 | 30-45 | 3.4-5.1 | |

| Warranty Flat Rate | | |
|--------------------|----------------|---------|
| Job | Description | Time/Hr |
| CD20 | Handle | 4 |
| CA17 | Switch | 3 |
| CF13 | Throttle Cable | 4 |
| CF35 | Trigger | 3 |
| CA16 | Lead Wire | 8 |

| Models | |
|------------|--------|
| d25mhv | (25cc) |
| MB25255V | (25cc) |
| r25mhv | (25cc) |
| Vac Attack | (25cc) |

TUBES - STRAP - ACCESSORIES



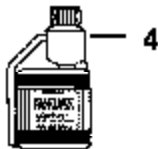
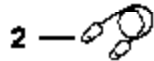
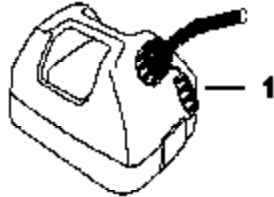
| NO | PART NO | DESCRIPTION | Qty |
|----|-----------|---|-----|
| 1 | UP 04317 | Tube, Blower | 1 |
| 2 | UP 04324 | Nozzle, Blower | 1 |
| 3 | A 09293 | Vacuum Kit | 1 |
| 4 | UP 04328 | Vac Tube, Upper | 1 |
| 5 | UP 04329 | Vac Tube, Lower | 1 |
| 6 | UP 04548 | Bag | 1 |
| 7 | UP 06723 | Shoulder Strap (Optional for UT08107 after S/N MB0650000) | 1 |
| 8 | UP 06902 | Air Deflector | 1 |
| 9 | A 02514 D | Gutter Maintenance Kit | 1 |
| 10 | UP 06830 | Full Elbow | 1 |
| 11 | UP 05818 | Straight Tube | 3 |
| 12 | UP 06836 | Upper Elbow & Swivel Adapter | 1 |
| 13 | UP 03821 | Large Clamp | 1 |
| 14 | UP 06868 | Adapter | 1 |
| 15 | UP 06895 | Safety Glasses - Clear | 1 |

| Part No | Special Tools Description |
|------------|---------------------------|
| 18416 | Electronic Tachometer |
| 18774 | Fuel Mix Tester |
| 23488 C | Thread Locking Compound |
| 24982 03 | T25 Torx Bit 8" Long |
| 84194 | Compression Tester |
| JA 31316 4 | Spark Tester |

11/8/2000

| Models |
|----------------------|
| d25mhy (25cc) |
| HB26256V .. (26cc) |
| i25mhy (25cc) |
| Vac Attack .. (25cc) |

ACCESSORIES



| NO. | PART NO. | DESCRIPTION | Qty. |
|-----|-----------|--------------------------------|------|
| 1 | A 02978 A | GAS CAN 1 1/4 Gallon | |
| 2 | UP 06838 | EAR PLUGS | |
| 3 | UP 06835 | SAFETY GLASSES-Clear | |
| 4 | 01231 D | EXACT MIX™ Oil - 1 pint (50:1) | |
| 5 | A 06778 | GDGLES | |
| 6 | UP 07684 | EAR PROTECTORS | |

NOTES

For product information, technical help, dealer locations or parts ordering information visit our website at:
www.homelite.com

John Deere Consumer Products, Inc.
P.O. Box 7047
Charlotte, NC 28241
tel: USA only - 1-800-242-4672 / fax: 1-704-588-0826

John Deere Consumer Products Limited
Produits Consommateurs John Deere Limitée
1850-55th Avenue
Lachine, Québec, Canada H8T 3J5
tel: Canada only - 1-800-363-5715 / fax: Canada only - 1-800-665-1588

John Deere Consumer Products Europe B.V.
Haverstraat 24
2153 GB Nieuw Vennepe
The Netherlands
tel: +31-252-687342 / fax: +31-252-687003

John Deere Consumer Products SARL
Rue du Paradis - BP 231 - Ormes
45144 Saint-Jean-De-La-Ruelle
Cedex, France
tel: 33-23-874-2630 / fax: 33-23-870-0279

John Deere Limited
A.C.N. 008 671 725
166-170 Magnesium Drive
Crestmead, Queensland 4132
Australia
tel: 61-7-3802-3222 / fax: 61-7-3803-6555

John Deere Consumer Products, Inc.