

**XL101**

**XL102**

**XL103**

**XL104**

# HOMELITE XL CHAIN SAWS

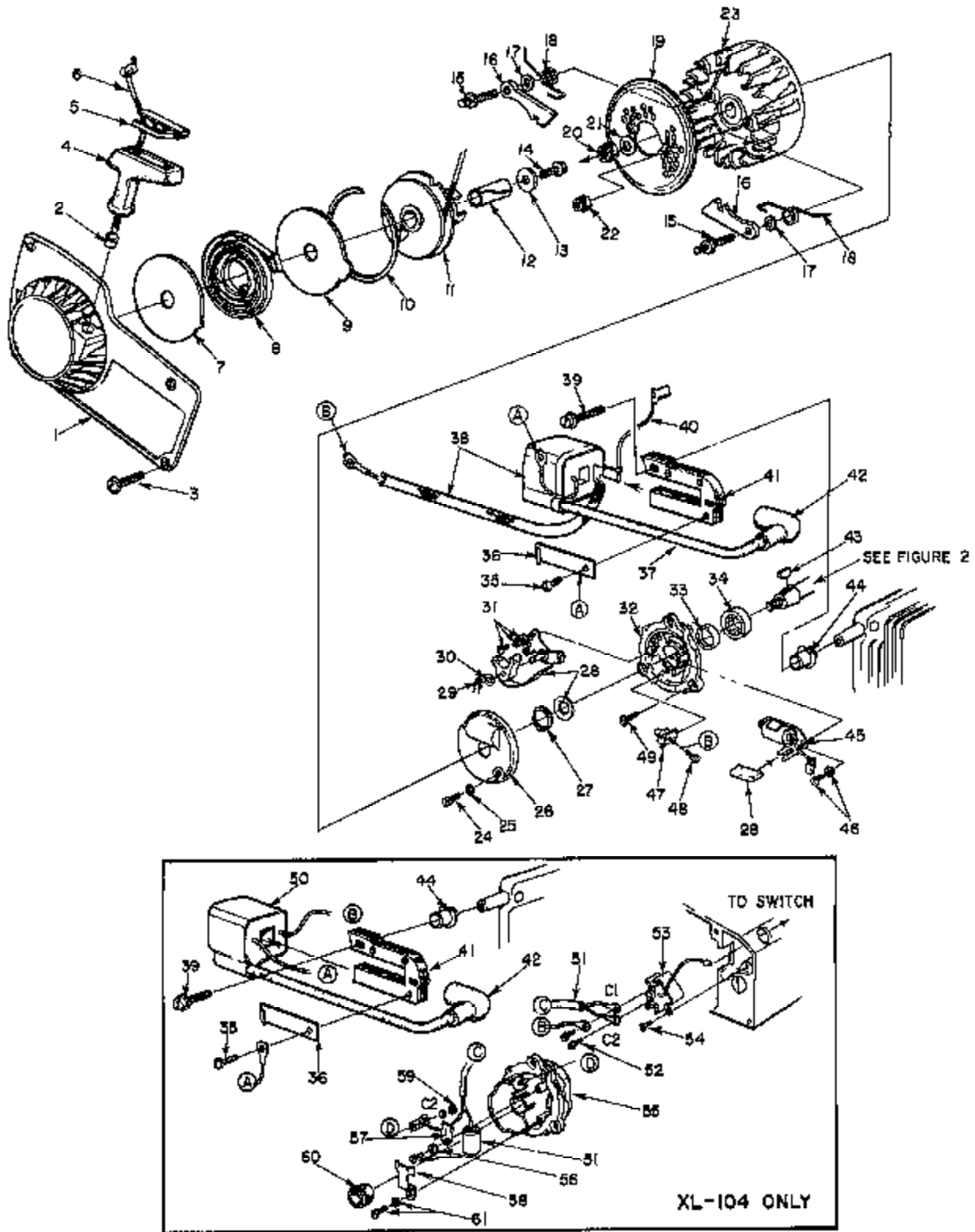


FIGURE 1

# HOMELITE XL CHAIN SAWS

*Requires 64948 lock  
w. th - A pulley*

No.	Description	Part No.	XL-101	XL-102	XL-103	XL-104	Qty
1	HOUSING - fan	A-64191-1	*	*	*	*	1
2	Includes: BUSHING - starter rope	59313	*	*	*	*	1
3	SCREW - pan hd., #8-32 x 1/2"	60660	*	*	*	*	4
4	GRIP - starting rope	64155	*	*	*	*	1
5	INSERT - rope retaining	64154	*	*	*	*	1
6	ROPE - starter	63869	*	*	*	*	1
7	SHIELD - spring (inner)	63713	*	*	*	*	1
8	SPRING - rewind	63870	*	*	*	*	1
9	SHIELD - spring (outer)	63714	*	*	*	*	1
10	RING - shield retaining	63875	*	*	*	*	1
11	PULLEY & CUP ASSEMBLY - starter	A-63952 A	*	*	*	*	1
12	BUSHING - starter post	64374	*	*	*	*	1
13	WASHER - retaining	63606	*	*	*	*	1
14	SCREW - hex hd., #10-32 x 1/2"	60848	*	*	*	*	1
15	STUD - shoulder	63877	*	*	*	*	2
16	PAWL - starter	64442	*	*	*	*	2
17	WASHER - flat	58851	*	*	*	*	2
18	SPRING - starter pawl	58766-2	*	*	*	*	2
19	SCREEN - rotor	63219	*	*	*	*	1
20	NUT - lock, 5/16-24	31112	*	*	*	*	1
21	WASHER - flat, 5/16	84085-1	*	*	*	*	1
22	NUT - "Flexloc", #10-32	31109-2	*	*	*	*	2
23	ROTOR - magneto	63837	*	*	*	*	1
24	SCREW - cover	64085	*	*	*	*	2
25	WASHER - flat, #6	84018	*	*	*	*	2
26	COVER ASSEMBLY - breaker box	A-63928	*	*	*	*	1
27	FELT RETAINER	64089	*	*	*	*	1
28	POINTS - set w/felt	A-64087	*	*	*	*	1
29	Includes CLIP - post	28008	*	*	*	*	1
30	WASHER - post	28028	*	*	*	*	1
31	SCREW - breaker clamp	76421	*	*	*	*	2
32	BACK PLATE	63624-1 A	*	*	*	*	1
33	SEAL	66688-A	*	*	*	*	1
34	BEARING - roller	63867	*	*	*	*	1
35	SCREW - coil retaining clip	58872	*	*	*	*	1
36	CLIP - coil retaining	54423	*	*	*	*	1
37	LEAD - high tension	58968	*	*	*	*	1
38	COIL - ignition	64091	*	*	*	*	1
39	SCREW - coil core	64021	*	*	*	*	2
40	LEAD - ground to switch	A-83939	*	*	*	*	1
41	CORE - coil	54422	*	*	*	*	1
42	TERMINAL - spark plug	A-33056	*	*	*	*	1
43	KEY	75078	*	*	*	*	1
44	RETAINER - lead	64201	*	*	*	*	1
45	CONDENSER & CLAMP	64086	*	*	*	*	1
46	SCREW - condenser clamp	72486	*	*	*	*	2
47	BLOCK - terminal	84088	*	*	*	*	1
48	SCREW - terminal	64090	*	*	*	*	1
* 49	SCREW - flat hd. phillips, A2 size - #12-24 x 5/8"	65501 / 62145	*	*	*	*	3
50	COIL - ignition	64435	*	*	*	*	1
x x x 51	CONDENSER & LEAD	64427	*	*	*	*	1
x x x 52	SCREW GROUP	64734	*	*	*	*	1
x x x 53	SWITCH BOX	A-64440	*	*	*	*	1
54	SCREW - flat hd. #6-32 x 3/8"	60451	*	*	*	*	1
x x x 55	BACK PLATE & COIL	A-64426	*	*	*	*	1
56	SCREW - lead hold down plate	64432	*	*	*	*	1
57	PLATE - lead hold down	64431	*	*	*	*	1
58	CLAMP - condenser	63627	*	*	*	*	1
59	LOCKWASHER - coil lead clamp nut	64430	*	*	*	*	1
60	CAP - dust	64423	*	*	*	*	1
61	SCREW - condenser clamp	55411	*	*	*	*	1

*65909 Red Switch*

*65908 Red Switch*

*65913 Red Switch*

*65912 Red Switch*

*65911 Red*

*65908 Red Switch*

\* See Memo 689CS  
 \*\* See Memo 692CS  
 \*\*\* Memo 702CS

# HOMELITE XL CHAIN SAWS

Ⓜ See Models 735CS

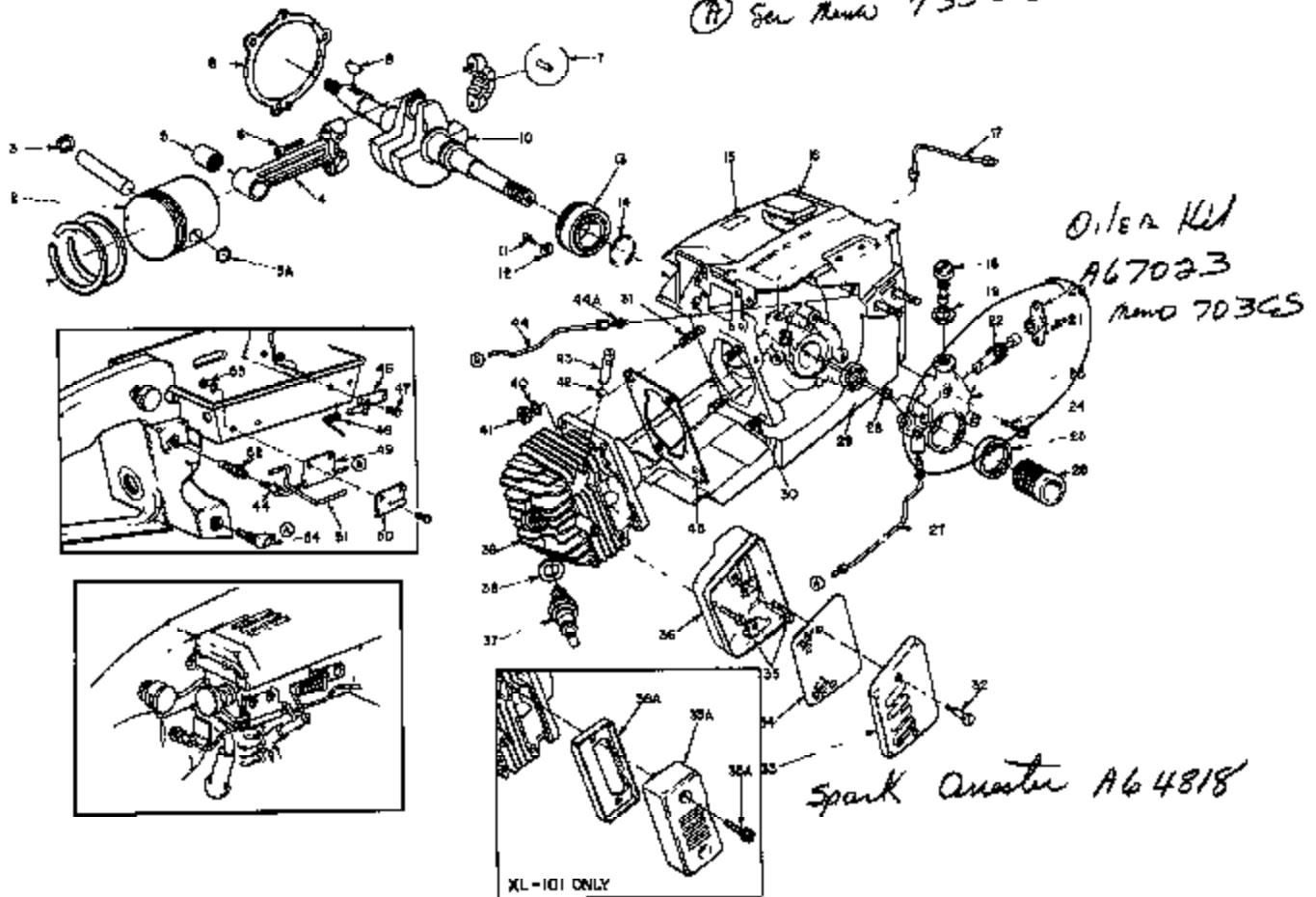


FIGURE 2

No.	Description	Part No	XL-101	XL-102	XL-103	XL-104	Qty	No.	Description	Part No.	XL-101	XL-102	XL-103	XL-104	Qty.
1	PISTON RING	59436	*	*	*	*	2	30	STUD - cylinder (short)	55871	*	*	*	*	3
	PISTON RING	55877	*	*	*	*	2	31	STUD - cylinder (long)	83888	*	*	*	*	1
2	PISTON & PIN	A-59488-B	*	*	*	*	1	32	SCREW - shoulder	84133-A	*	*	*	*	2
	PISTON & PIN	A-59903-B	*	*	*	*	1	33	CAP - muffer	64125	*	*	*	*	1
3	Include RING - retaining	75120	*	*	*	*	1	33A	BODY - muffer	64131-T	*	*	*	*	1
2A	Include RING - retaining	64913	*	*	*	*	1	34	BAFFLE - muffer	84128	*	*	*	*	1
4	ROD - connecting	A-83780	*	*	*	*	1	35	SCREW - hex hd., #12-24 x 1/2"	80821	*	*	*	*	3
6	Includes BEARING - needle	58724	*	*	*	*	1	35A	SCREW - hex hd., #12-24 x 1 1/4"	80864	*	*	*	*	2
6	SCREW	80886	*	*	*	*	2	36	BODY - muffer	A-64130	*	*	*	*	1
7	ROLLER - needle (set of 31)	A-83797-A	*	*	*	*	1	36A	BASE - muffer	64132	*	*	*	*	1
8	GASKET - crankcase	83361	*	*	*	*	1	37	SPARK PLUG	63647-S	*	*	*	*	1
9	KEY	75078	*	*	*	*	1	38	Includes GASKET	26038	*	*	*	*	1
10	CRANKSHAFT	63204-1	*	*	*	*	1	38B	CYLINDER	A-64842-1	*	*	*	*	1
	CRANKSHAFT	63204-2	*	*	*	*	1	39	CYLINDER	83185-1	*	*	*	*	1
11	SCREW - bearing retainer	59704	*	*	*	*	2	40	WASHER - lock, 1/4"	83008	*	*	*	*	4
12	WASHER - special	83805	*	*	*	*	2	41	NUT - hex, 1/4 - 28	81065-2	*	*	*	*	4
13	BEARING - ball	53855-B	*	*	*	*	1	42	BALL - compression relief	84728	*	*	*	*	1
14	RING - retaining	58315-A	*	*	*	*	1	43	PIN - compression relief	84650-B	*	*	*	*	1
15	DECAL	84144	*	*	*	*	1	44	LINE - oil (manual)		*	*	*	*	1
18	CAP - fuel filter	A-84375	*	*	*	*	1		(See Note #2, page 7)		*	*	*	*	1
17	LINE - oil (auto-upper)	A-83819	*	*	*	*	1	44A	FITTING TUBE - straight	A-83948-A	*	*	*	*	1
18	SCREW - cam	84102-A	*	*	*	*	1			31732-1	*	*	*	*	1
19	GASKET	89798	*	*	*	*	1	45	GASKET - cylinder	63237	*	*	*	*	1
20	BEARING - flange	59718	*	*	*	*	1	46	PIVOT PIN & BRACKET ASSY.	A-64854-2	*	*	*	*	1
21	SCREW - pan hd., #4-40 x 1/4"	80819	*	*	*	*	2	47	SCREW - pan hd., #6-32 x 3/8"	80571	*	*	*	*	4
22	PLUNGER WHELCICAL GEAR	63228	*	*	*	*	1	48	SPRING - relief valve	84653	*	*	*	*	1
23	HOUSING - oil pump	A-83646	*	*	*	*	1	48	CLAMP - oil clamp	84847-2	*	*	*	*	1
24	SCREW - pan hd., #8-32 x 7/8"	80588	*	*	*	*	3	50	CLAMP - lever	84655-2	*	*	*	*	1
25	SEAL - felt	84593	*	*	*	*	1	51	LEVER - relief valve		*	*	*	*	1
26	WORM - oil pump	83228	*	*	*	*	1		(See Note #1, page 7)		*	*	*	*	1
27	LINE - oil (auto-lower)	A-83647	*	*	*	*	1	52	VALVE - check	A-59488-1	*	*	*	*	1
28	"O" RING	80872	*	*	*	*	1	53	NUT - "flexloc", #8-32	81126	*	*	*	*	4
28	SEAL	89308-A	*	*	*	*	1	54	FILTER - oil	A-84741	*	*	*	*	1

# HOMELITE XL CHAIN SAWS

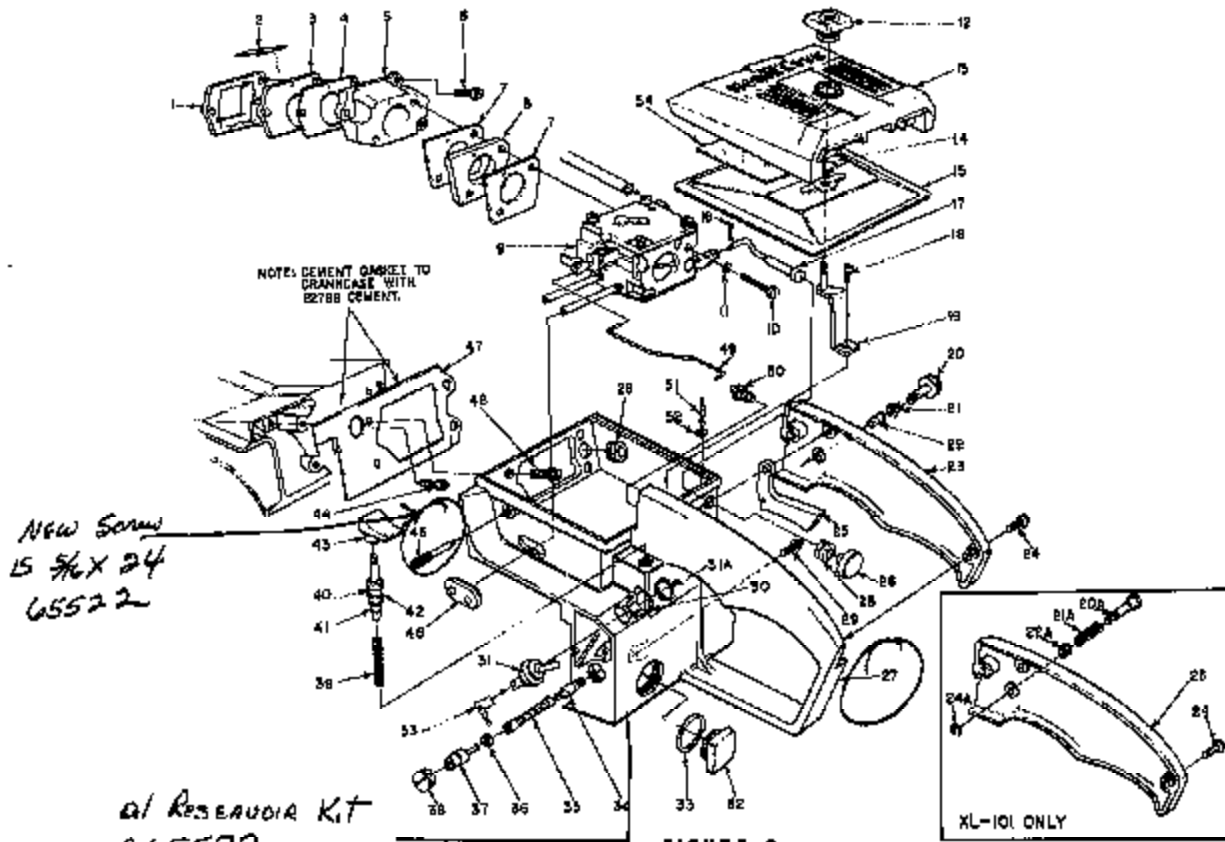


FIGURE 3

Oil Reservoir Kit  
A65572  
Ser. Num. 671CS

No.	Description	Part No.	XL-101				Qty.	No.	Description	Part No.	XL-101				Qty.
			XL-101	XL-102	XL-103	XL-104					XL-101	XL-102	XL-103	XL-104	
1	RETAINER - reed valve	84253	*	*	*	*	1	HANDLE - throttle (See Note # 3, page 7)	A-84976	*	*	*	*	1	
2	REED - valve	88678-A	*	*	*	*	4	Includes: PLUG - pipe, 1/16-28 (not shown)	88671	*	*	*	*	1	
3	BEAT - reed valve	84262	*	*	*	*	1	HANDLE - throttle (See Note # 3, page 7)	A-84875	*	*	*	*	1	
4	GASKET - reed valve seat	84266	*	*	*	*	1	Includes: GROMMET (See Note # 3, page 7)	84862	*	*	*	*	2	
5	MANIFOLD - intake	84286-1A	*	*	*	*	1	SCREW - hex hd., #12-24 x 7/8"	80891	*	*	*	*	1	
6	SCREW - shoulder	84349	*	*	*	*	3	PLATE - on-off	83810	*	*	*	*	1	
7	GASKET - carburetor	84119-1	*	*	*	*	2	SWITCH	A-63938	*	*	*	*	1	
8	SPACER - carburetor	84117-1	*	*	*	*	1	Includes: NUT 72084-A1	A-84286	*	*	*	*	1	
9	CARBURETOR (WALBRO BDC-1) (See Note below)	A-84198	*	*	*	*	1	CAP - oil vented	86323	*	*	*	*	1	
10	SCREW - hex hd., #10-32 x 2"	83866	*	*	*	*	2	Includes: "O" RING	86323	*	*	*	*	1	
11	WASHER - lock, #10	83046	*	*	*	*	2	FILTER - oil (manual)	A-84283	*	*	*	*	1	
12	NUT - cover mounting	A-84288	*	*	*	*	1	LINE - flexible oil	84356	*	*	*	*	1	
13	COVER - air filter	88183-2	*	*	*	*	1	GASKET	88738	*	*	*	*	1	
14	RING - retaining	88518-A	*	*	*	*	1	FITTING - check valve	A-83836	*	*	*	*	1	
15	FILTER ELEMENT - air	A-88666-A	*	*	*	*	1	SCREW - set	83113	*	*	*	*	1	
16	PIN - cotter	86324	*	*	*	*	1	SPRING - plunger	88293	*	*	*	*	1	
17	ROD - choke (See Note # 3, page 7)	A-83842-1	*	*	*	*	1	PLUNGER	A-87834-15	*	*	*	*	1	
18	SCREW - hex hd., #12-24 x 1/2"	80821	*	*	*	*	1	Includes: "O" RING	74268	*	*	*	*	1	
19	BRACKET - air filter cover	A-83876	*	*	*	*	1	"O" RING	88074	*	*	*	*	1	
20	PIN - throttle lock	A-84391	*	*	*	*	1	BUTTON - oil pump	83622	*	*	*	*	1	
20A	PIN - throttle lock	88924-1	*	*	*	*	1	VENT - fuel tank	A-84311	*	*	*	*	1	
21	SPRING - throttle lock	84877	*	*	*	*	1	SCREW - idle adjustment	83728	*	*	*	*	1	
21A	SPRING - throttle lock	88406	*	*	*	*	1	GROMMET "HI-LO"	88958	*	*	*	*	1	
22	BUSHING - throttle lock	84848	*	*	*	*	1	GASKET - throttle handle	84287	*	*	*	*	1	
22A	BUSHING - throttle lock	88084	*	*	*	*	1	SCREW - hex hd., #12-24 x 5/8"	80875	*	*	*	*	4	
23	COVER - throttle handle	83181-2	*	*	*	*	1	ROD - throttle	82886-1	*	*	*	*	1	
24	SCREW - pan hd., #8-32 x 1/2"	80880	*	*	*	*	2	BOOT - throttle rod	88348	*	*	*	*	1	
24A	RING - retaining	88409	*	*	*	*	1	PIN - cotter	88301	*	*	*	*	1	
25	TRIGGER - throttle	83212-A	*	*	*	*	1	WASHER - felt	83280	*	*	*	*	1	
26	BUTTON - choke	87288-1	*	*	*	*	1	LEAD - ground	A-83838	*	*	*	*	1	
27	HANDLE - throttle (See Note # 3, page 7)	A-84876-A	*	*	*	*	1	PLATE - instruction	84173	*	*	*	*	1	
								PLATE - instruction	84174	*	*	*	*	1	

\*\*  
\* Ser. Num 702CS Ignition  
\*\* Ser. Num 681CS New handle

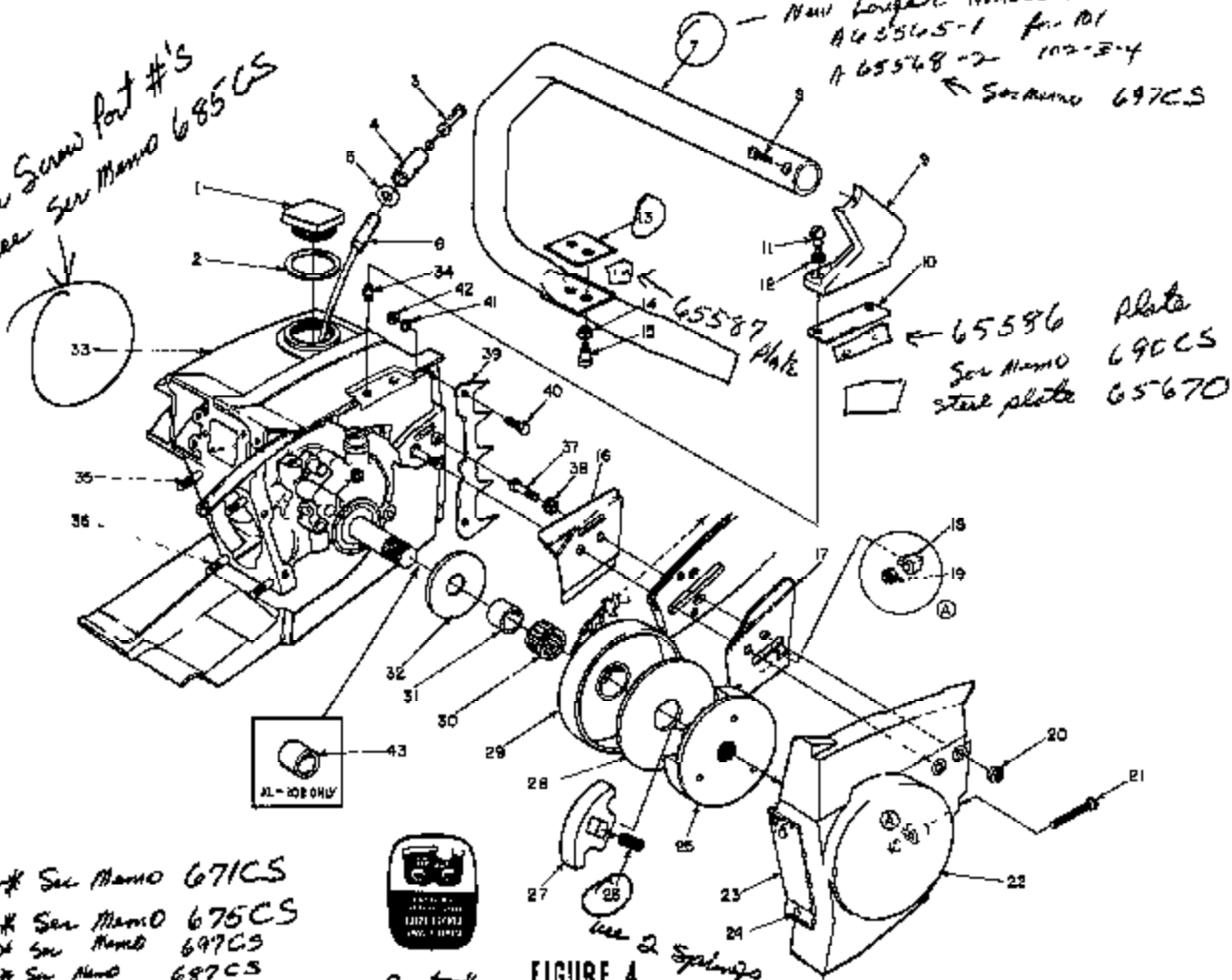
NOTE: Refer to Carburetor Parts List #24107.

ALWAYS FURNISH MODEL AND SERIAL NUMBER WHEN ORDERING PARTS.

# HOMELITE XL CHAIN SAWS

for Screw part #'s  
see Ser Memo 685CS

Hand Longer handle bars  
A-65545-1 for 101  
A-65548-2 102-3-4  
← Ser Memo 697CS



\* Ser Memo 671CS  
\*\* Ser Memo 675CS  
\*\*\* Ser Memo 697CS  
\*\*\*\* Ser Memo 687CS  
\*\*\*\*\* Ser Memo 686CS

FIGURE 4

No.	Description	Part No.	XL-101	XL-102	XL-104	Qty.	No.	Description	Part No.	XL-101	XL-102	XL-104	Qty.
1	CAP - fuel filler	A-84376	*	*	*	1	23	Includes SHIELD - sawdust	84818	*	*	*	1
2	Includes GASKET	84808	*	*	*	1	24	RIVET - oval hd.	85081	*	*	*	2
3	FILTER - fuel	A-83820	*	*	*	1	26	PLATE - clutch (See Note #4, page 7)	84904-1	*	*	*	1
4	Includes FILTER - fuel	84083-1	*	*	*	1							
5	WASHER	84182	*	*	*	1							
6	LINER - fuel	83544	*	*	*	1	28	PLATE - clutch	83869-1	*	*	*	1
* 7	HANDLE BAR 64799-12 Ser	A-83083-2	*	*	*	1	** 28	SPRING - clutch 65587	83877	*	*	*	3 65842
	HANDLE BAR 64799-12 Above	A-84148-1	*	*	*	1	27	SPRING - clutch	84088	*	*	*	1
8	SCREW - socket hd, top, #10-32 x 1"	82126	*	*	*	1	29	SHOE - clutch (See Note #4, page 7)	84566-2	*	*	*	3
* * 9	BRACKET - handle bar	83859-3	*	*	*	1	28	SHOE - clutch	83870	*	*	*	1
	BRACKET - handle bar (use with clearing & bow guides)	84845-2	*	*	*	1	29	COVER - clutch	83871	*	*	*	1
* * * 10	PAD - bracket 65539	84810	*	*	*	1		SPROCKET & DRUM ASSY. (See Note #4, page 7)	A-84808	*	*	*	1
11	SCREW - shoulder	84814-A	*	*	*	2	30	BEARING - unit case	A-83217	*	*	*	1
12	GROMMET - handle bar	84474	*	*	*	2	31	RACE - inner	84323	*	*	*	1
* 13	PAD - handle bar 65360	84609	*	*	*	1	32	WASHER - thrust	83690	*	*	*	1
* * 14	GROMMET - handle bar	84473	*	*	*	1	33	CRANKCASE & TANK 84497	83880	*	*	*	1
* * * 15	SCREW - shoulder 64794	84813-A	*	*	*	2	** 34	CRANKCASE & TANK 84496	A-84699	*	*	*	1
16	PLATE - guide bar (inner)	83638-A	*	*	*	1		Includes INSERT - "TopLok"	72488	*	*	*	4
17	PLATE - guide bar (outer)	83638-B	*	*	*	1	35	STUD - cylinder	83886	*	*	*	1
18	PIN - bar adjusting	83825-1	*	*	*	1	36	STUD - cylinder	85871	*	*	*	3
19	NUT - lock, #10-32	81211	*	*	*	1	37	SEAL (not shown - see Fig. 3, item 28)	88308-A	*	*	*	1
20	NUT - hex, 5/16-18	81196	*	*	*	2	38	INSERT - threaded	83881	*	*	*	2
21	SCREW - pan hd, #10-32 x 2 1/8"	82130-1	*	*	*	1	38	PIN - dowel (not shown)	88998	*	*	*	2
22	COVER - drive case	A-84820-1	*	*	*	1		BUMPER - sprung	71430	*	*	*	1
	COVER - drive case for clearing & bow guides only	A-84820-4	*	*	*	1	39	BUMPER - hex, #12-24 x 5/8"	84087	*	*	*	1
	COVER - drive case	A-84819-1	*	*	*	1	40	WASHER - lock, #12	80676	*	*	*	2
	COVER - drive case for clearing & bow guides only	A-84819-3	*	*	*	1	41	NUT - hex, #12-24	83058	*	*	*	2
							42	SPACER	81068	*	*	*	2
							43		84372	*	*	*	1

# HOMELITE XL CHAIN SAWS

## NOTES

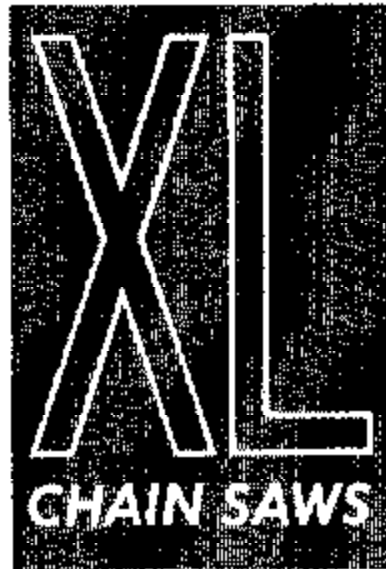
1. Units Below # 288282 Replace Both Items # 43 & # 51 - Not Interchangeable - Must Be Used Together.
2. Units Below Serial # 2532641 Add Item # 44A Part # 31733-1 Straight Fitting To Crankcase To Use A-83948-A Oil Line.
3. For XL-101 & 102 Saws Below Serial # 2618994 And XL-103 & 104 Saws Below Serial # 2829088 Supply The Following:  
Item # 17 - Use A-63942 Choke Rod  
Item # 28 - Use 58382 Grommet (Choke)  
Item # 27 - When Replacing The Throttle Handle You Must Also Replace The Choke Rod With The New - Item # 17 - A-63942-1 Choke Rod.
4. On XL-102, 103, & 104 Saws With Old Style 2 3/4" Clutch Drums Replace The Following As A Set:  
Item # 25 - Clutch Plate  
Item # 26 - Clutch Springs  
Item # 27 - Clutch Shoes  
Item # 29 - Sprocket & Drum Assy.  
Item # 16 - Guide Bar Plate (Inner)  
Item # 17 - Guide Bar Plate (Outer)

## Special Tools - available on order

A-29937-B	WRENCH - combination
22820-B	COLLAR - bearing installation (bearing to shaft)
22628	PLIERS - retaining ring
23108-1	SLEEVE - bearing and shaft installation
23628	WRENCH - socket screw (connecting rod)
23756	PLUG - needle bearing assembly (connecting rod)
23769	SLEEVE - seal protection (back plate)
23845-2	ANVIL - roller bearing disassembly
A-23934	SPANNER - clutch (for use on XL-102, 103 and 104 with Ser #2617839 and up)
A-23849	TOOL - piston pin removal
A-23960	BRACKET - rotor removal
23972	SLEEVE - seal installation (crankcase w/shaft)
24008-2	PLATE - shaft alignment
A-24061	JACKSCREW (bearing to shaft to crankcase)
24063	SLEEVE - seal protection (crankcase XL-101 only)
24064	PLUG - seal assembly (crankcase)
24066	PLUG - bearing and seal assembly (back plate)
A-24067	BEARING REMOVER (back plate)
A-24060	SPANNER - clutch (for use on all XL-101's and 102, 103, and 104 units below Ser. #2617828)
	Includes:
64209	PIN, dowel (3)
24076	SLEEVE - seal protection (crankcase side) XL-102, 103, 104
A-24108	REAMER - compression valve seat XL-102, 103, 104


## Accessories

A-84918	SPARK ARRESTOR
24101	PAINT - dark blue
22771	PAINT - vermilion
23680	PAINT - white



**HOMELITE**

A  DIVISION • PORT CHESTER, NEW YORK

Illustrated by  and  
prepared by BURNELL COMPANY, INC.  
Boston, Mass.