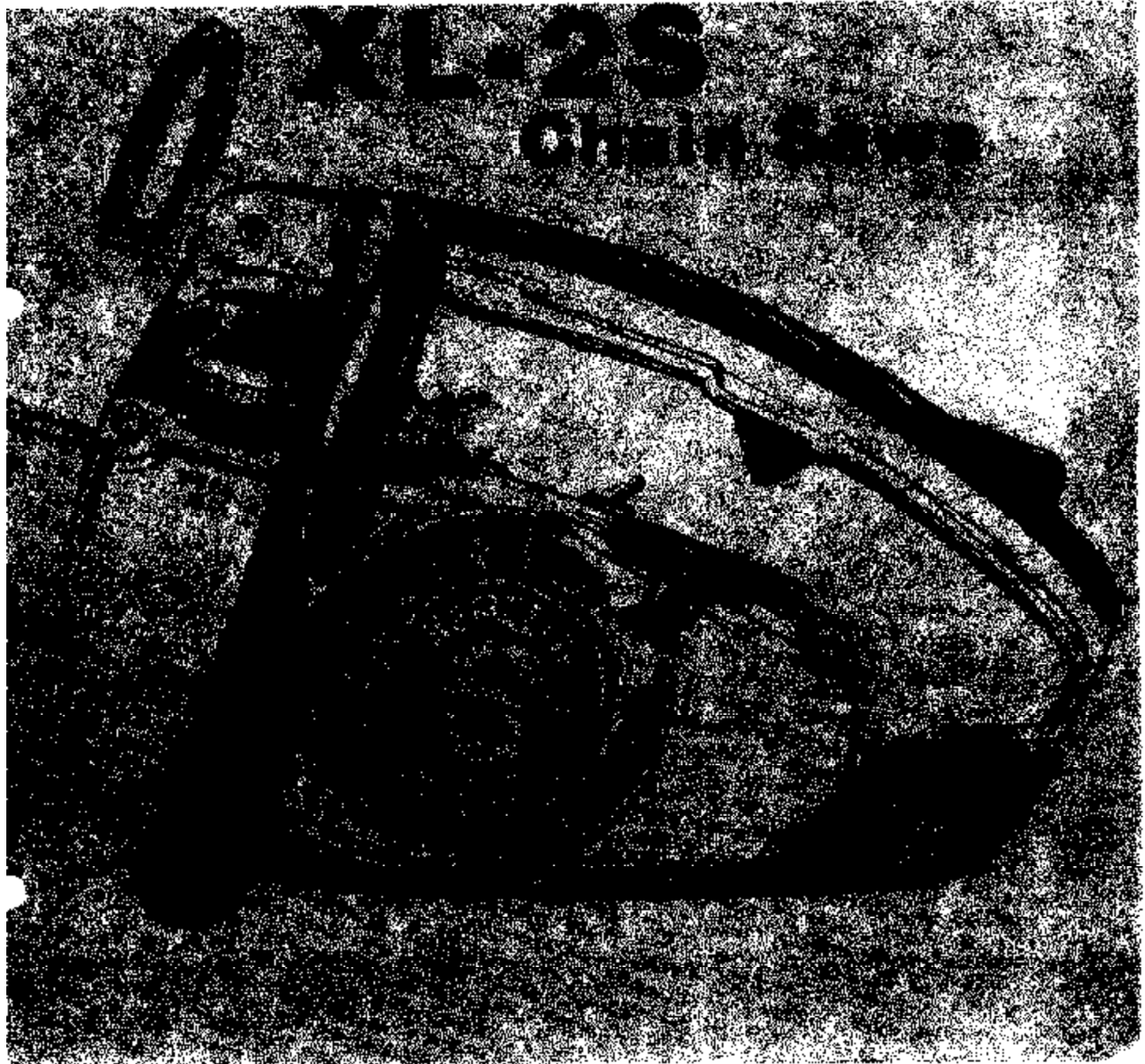


PART NO. 17048
Printed In U.S.A.
Price 35¢

parts list

HOMELITE®



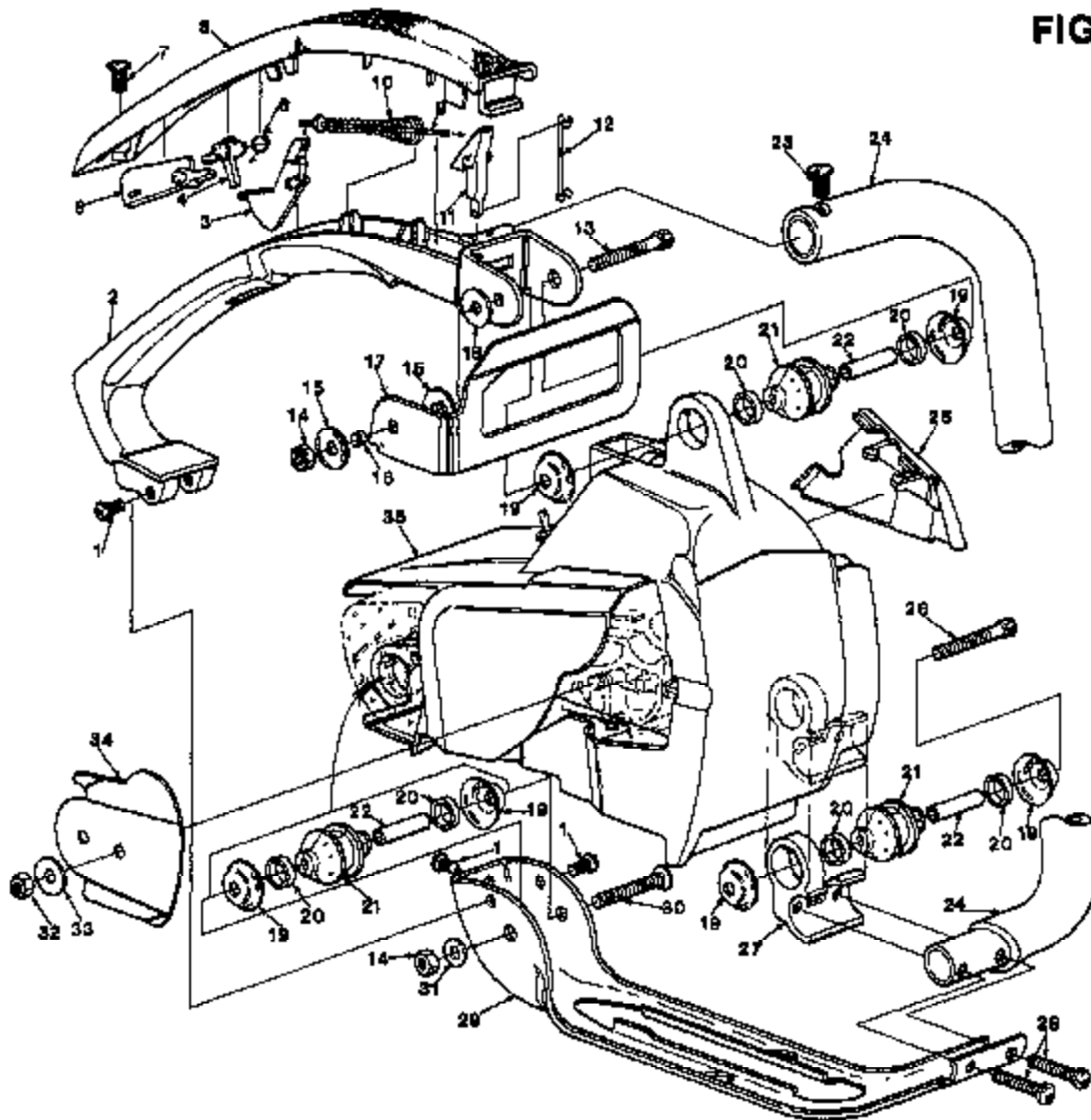
XL-2S**ACCESSORIES**

GASKET- Oil pump body	69596
KIT- Spark arrestor (for A-69253-1 Muffler)	A-69586-B
Includes:	
SCREW- Self tapping (#6 x 1/4) (3)	80328
KIT- Hand guard	A-70786-A
Includes:	
SCREW	80312
SCREW- (10-32 x 5/8)	80572
WASHER- Belleville (2)	70728
SPACER	70748
TUBING- Rubber (10 ft.) (oil)	70309-99
TUBING- Rubber (10 ft.) (fuel)	70310-99

TOOLS

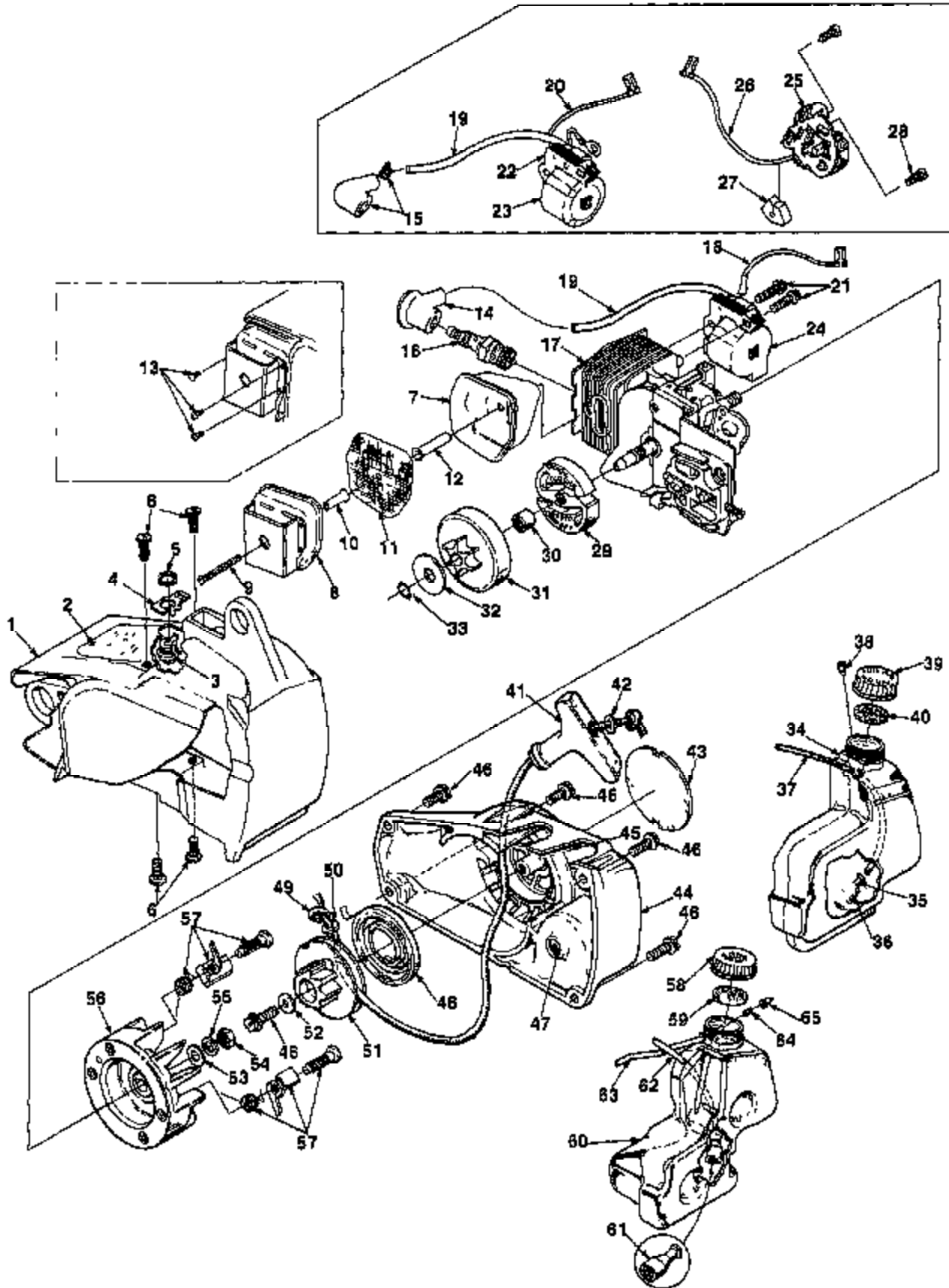
PULLER- Magneto rotor	A-24747-A
Includes:	
BOLT- 5/16-18 x 1 3/4	80288
NUT- Hex 5/16-18 (2)	81196
WRENCH- Hex soc. 5/32 (For 10-24 screw)	22126
WRENCH- Hex soc. 9/64 (For 8-32 screw)	23528
WRENCH- Spanner (Clutch)	A-93791
Includes:	
PIN	23717-A
WRENCH- Flat (for guide bar nut)	24814
DRIVE- Check valve (HDC carb. only)	24972
PLIERS- Tru-Arc	17198
GREASE- Multi-Use	94137

**XL-2S
FIGURE 1**



NO.	DESCRIPTION	PART NO.	QTY.	NO.	DESCRIPTION	PART NO.	QTY.
1	SCREW- Pan hd (8-32 x 3/8)	80677-2	3	20	RING- Isolator	70432	8
2	HANDLE- Throttle	70568-2	1	21	ISDLATOR- Vibration	70485-A	3
3	TRIGGER	70618	1	22	SPACER- Isolator	70433	3
4	STOP- Throttle safety	70593	1	23	SCREW- Pan washer hd (10-32 x 5/8)	82298	1
5	LEVER- Throttle safety	70604	1	24	HANDLE BAR	A-70604	1
6	SPRING- Torsion	70591	1	25	COVER- Air filter	70571	1
7	SCREW- Pan hd (10-32 x 5/8)	82299	1	26	SCREW- Cap hex soc (10-32 x 1 3/4)	82310	1
8	COVER- Handle	70626	1	27	BRACKET- Isolator mtg	70558-2	1
9	ROD- Throttle	A-70614	1	28	SCREW- Hex hd (10-32 x 1 3/16)	80841	2
10	SPRING- Throttle rod	80248	1	29	BRACE- Handle	70654-1	1
11	LEVER- Throttle	89107	1	30	SCREW- Pan hd (10-32 x 1 3/4")	82917	1
12	ROD- Throttle	70612	1	31	WASHER- Flat (10)	84008	1
13	SCREW- Cap hex soc, hd (10-32 x 2")	82321	1	32	NUT- Guide bar (1/4-28)	81065-2	1
14	NUT- Hex (10-32)	31206	2	33	WASHER- Flat	89300-1	1
15	WASHER- Belleville	70726	2	34	PLATE- Guide bar	89360	1
16	SPACER- Hand guard	70746	1	35	HOUSING- Engine (see Fig 2 for breakdown)	A-70662-B	1
17	GUARD- hand	70802-1	1				
18	WASHER- Flat	70632	1				
19	WASHER- Isolator	70440-A	6				

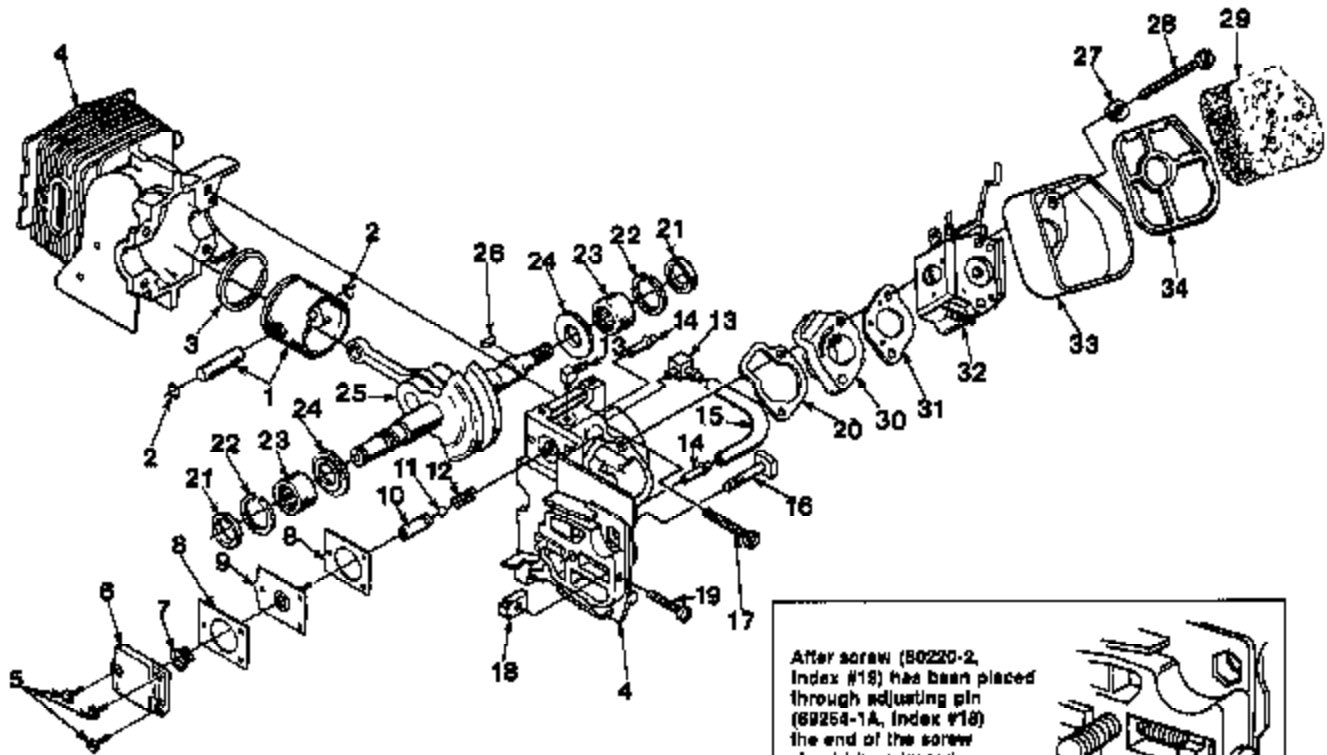
ALWAYS FURNISH MODEL AND SERIAL NUMBER WHEN ORDERING PARTS



**XL-2S
FIGURE 2**

NO.	DESCRIPTION	PART NO.	QTY.	NO.	DESCRIPTION	PART NO.	QTY.
1	HOUSING- Engine Includes	A-70882-B	1	41	GRIP- Starter rope	70211	1
2	PLATE- Instructions	70835	1	42	WASHER- Flat	84028	1
3	SWITCH- Stop (grounding) Includes	A-63938	1	43	DECAL	70617	1
4	PLATE- "ON-OFF"	70834	1	44	HOUSING- Rewind starter Includes	A-70883	1
5	NUT- Hex	72084-Af	1	45	FILTER- Fuel tank valve	89443	2
6	SCREW- pan hd (10-24 x 1/2)	82218	4	46	SCREW- Hex washer hd (10-32 x 5/8)	80704	5
7	MUFFLER Includes	A-84061-B	1	47	NUT- Center locking hex (#10-32)	81206	1
8	CAP- Muffler	A-85428	1	48	SPRING- Rewind	89217	1
9	SCREW- (10-24 x 1 3/4) SPARK ARRESTOR Includes	82320	1	49	ROPE- Starter (#4, 34" long) Includes	A-83874	1
10	SPACER	83889	1	50	WASHER- Nylon	83882	1
11	SCREEN- Spark arrestor	D-93881	1	51	PULLEY- Starter	88168	1
12	SPACER	83890	1	52	WASHER- Flat	83808	1
13	SCREW- #4 x 260 (Note 6)	82342	3	53	WASHER- Flat	84065-1	1
14	TERMINAL- Spark plug (Solid state) (Serviced with item #16)			54	NUT- Hex	81117	1
15	TERMINAL- Spark plug (Point ignition)	A-33065	1	55	WASHER- Lock	83002	1
16	SPARK PLUG- Champion DJ-7J	88816-S	1	56	ROTOR & STARTER PAWL (Solid state)	A-94717	1
17	CYLINDER & CRANKCASE (Solid state) CYLINDER & CRANKCASE (Point ignition) (See Fig 3 for breakdown)	A-95071	1		ROTOR & STARTER PAWL (Point ignition)	A-69287-A	1
18	LEAD- Ground (Solid state)	A-84721	1	57	KIT- Starter pawl (See Note 4)	A-70285-A	2
19	LEAD- High tension (See Note 1)	88326	1	58	CAP- Tank oil	A-70883-A	1
20	LEAD- Ground (Point ignition)	A-85061	1	59	GASKET- Fuel filler cap (See Note 3)	84638	1
21	SCREW- Hex w/washer (8-32 x 3/4)	82248	2	60	TANK- Oil Includes	A-70683	1
22	CORE- Coil (Point ignition)	88324	1	61	FILTER- Oil	A-88598	1
23	COIL- Ignition (Point ignition) RETAINER- Coil (Not Shown) (Point ignition)	88323	1	62	TUBING- Rubber	70309-24	1
24	MODULE- Ignition (Solid state)	A-94711	1	63	LINE- Pressure Includes	A-89368	1
25	POINT SET- Breaker (Point ignition)	A-68336	1	64	CONNECTOR- Oil line	89858-1A	1
26	LEAD- Electrical (Point ignition)	70249	1	65	VALVE- Check (Duckbill)	88451	1
27	SEAL- Lead (Point ignition)	88247	1				
28	SCREW- Flat hd (6-32 x 3/8) (Point ignition)	88026	2	NOTE 1	For Solid State Ignition cut wire to 6 1/2"		
29	CLUTCH- "S" (See Note 2)	A-70961-A	1	NOTE 2	Retaining Ring, item 33, must never be reused once it has been removed. Item 33 is included with both item 28 and 31.		
30	BEARING- Clutch Drum	88512	1	NOTE 3	Use 70826 Gasket in A-70888 and A-70884 external thread caps. Use 89585 Gasket for caps with internal threads.		
31	SPROCKET & DRUM	A-70221-C	1	NOTE 4	Replacement Starter Pawl Kit, item #57 includes an over sized pin. Paint, stamp or mark to identify over sized pin when installing. Oversize pin can be installed tightly only once. If over sized pin is removed, the entire rotor assembly must be replaced.		
32	WASHER- Thrust (Clutch)	89138	1	NOTE 5	Units with separate shield requires index #13 screw. All new muffler cap A-96428 includes a shield welded to cap.		
33	RING- Retaining (See Note 2)	88872	1				
34	TANK- Fuel Includes	A-70582	1				
35	FILTER- Fuel Includes	A-69923	1				
36	ELEMENT- Fuel	84083	1				
37	TUBING- Rubber	70310-29	1				
38	VALVE- Check (Duckbill)	89451	1				
39	CAP- Fuel (Red) Includes	A-70894-A	1				
40	GASKET- Filler cap (See Note 3)	94898	1				

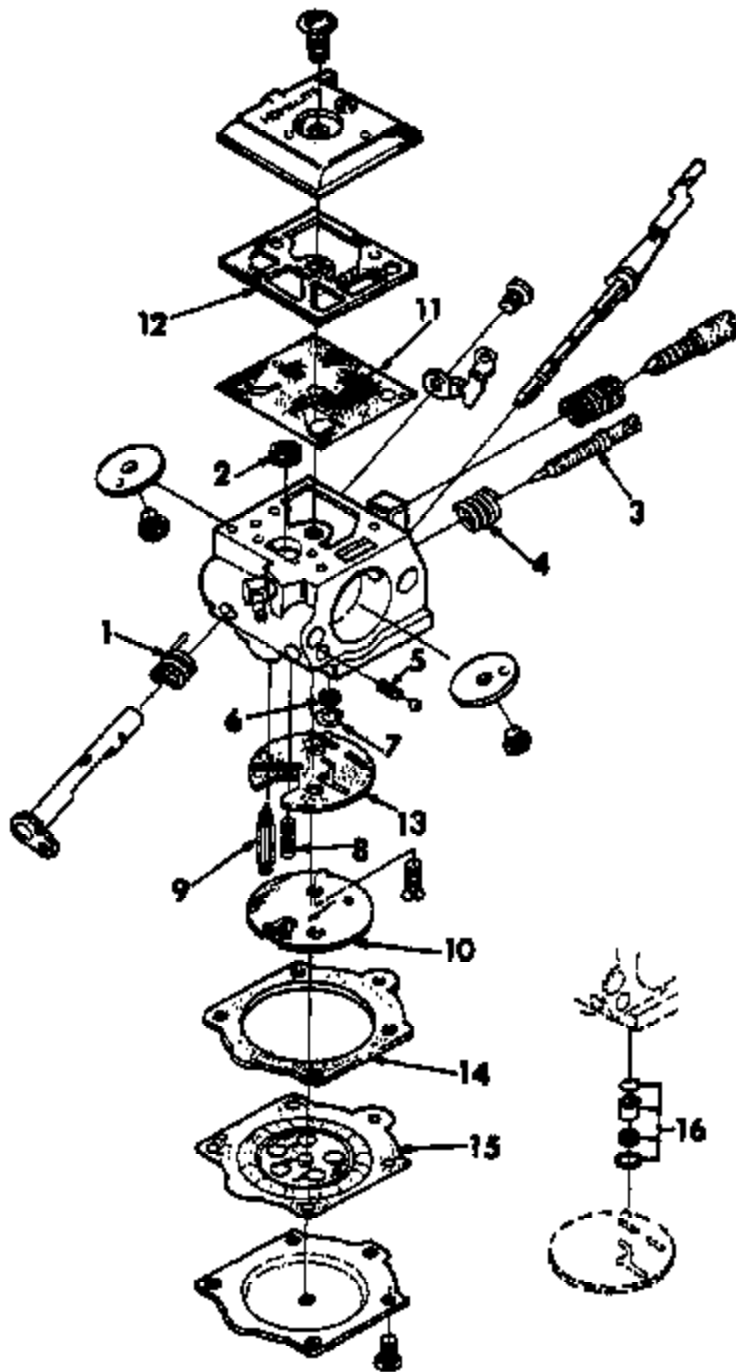
**XL-2S
FIGURE 3**



After screw (80220-2, Index #18) has been placed through adjusting pin (69254-1A, Index #18) the end of the screw should be crimped. This will prevent the screw from backing out.

NO.	DESCRIPTION	PART NO.	QTY.	NO.	DESCRIPTION	PART NO.	QTY.
1	PISTON & PIN Includes	A-69393	1	15	LINE- Oil	70161	1
2	RING- Piston retaining	85261	2	16	BOLT- Guide bar	69195	1
3	PISTON RING	69312	1	17	SCREW- Sem hex hd, 8-32 x 1	85044	4
4	CRANKCASE & CYLINDER (Solid state)	A-85071	1	18	PIN- Adjusting	69254-1A	1
	CRANKCASE & CYLINDER (Point ignition)	A-69421-B	1	19	SCREW- Adjusting fil hd 8-32 x 1	80220-2	1
	Includes			20	GASKET- Intake manifold	69143	1
	SCREW- Tapping pan (Not Shown)	93932	1	21	SEAL	84838	2
5	SCREW- Pan hd, 8-32 x 3/8	80571	3	22	SPADER- Seal	69407	2
6	COVER- Oil pump	69224-1C	1	23	BEARING- Needle	12530	2
7	SPRING- Oil pump	69447	1	24	WASHER- Thrust	69083-A	2
8	GASKET- Oil pump	69244-1	2	25	CRANKSHAFT- (Solid state)	A-84712	1
9	PLUNGER- Oil pump	A-12356-B	1		CRANKSHAFT- (Point ignition)	A-70362	1
10	BODY- Oil pump	69343-1	1	26	KEY- Magneto (See insert)	69250	1
11	BALL- Check valve	80051	1	27	WASHER- Lock #10	83008-1	2
12	SPRING- Check valve	68570	1	28	SCREW- Hex hd (10-32 x 2 1/4)	80481	2
13	FITTING- Oil line	70204	2	29	ELEMENT- Air filter	70568	1
14	FITTING- Tube	69633	2	30	MANIFOLD- Intake	A-69373-A	1
				31	GASKET- Carburetor	65016	1
				32	CARBURETOR- (HDC-49)	A-94054	1
				33	CUP- Air filter	70557	1
				34	RETAINER- Air filter	70556	1

XL-2S



CARBURETOR

A-94054

HDC-49

- 94061-A REPAIR KIT (Includes: 1-15)**
- 70655 GASKET/DIAPHRAGM KIT (Includes: 11-15)**
- 93901 CHECK VALVE REPAIR KIT (#16)**
- 94057 CIRCUIT PLATE- High altitude .029 (Not shown)**
- 64229 INLET NEEDLE (#9)**

00085JY



HOMELITE DIVISION OF TEXTRON
P O Box 7047
14401 Carowinds Boulevard
Charlotte, N C. 28217

HOMELITE **TEXTRON**

Homelite Division of Textron Inc