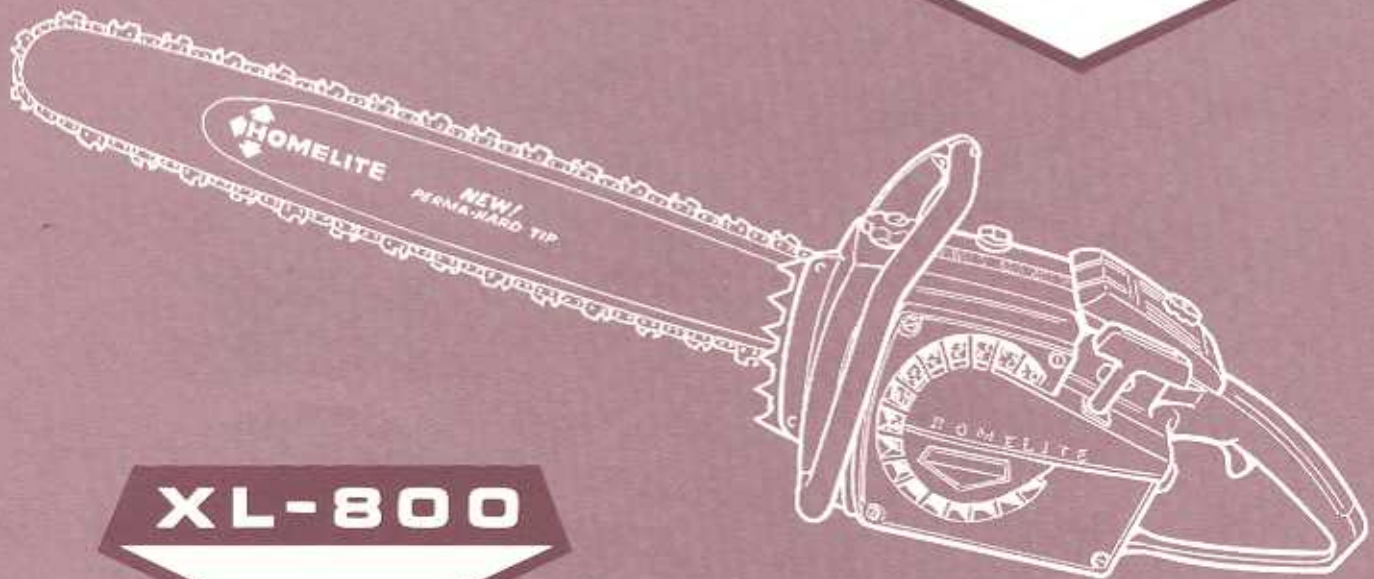


HOMELITE

CHAIN SAWS

XL-700



XL-800

PARTS LIST

XL-700

CHAIN SAWS

XL-800

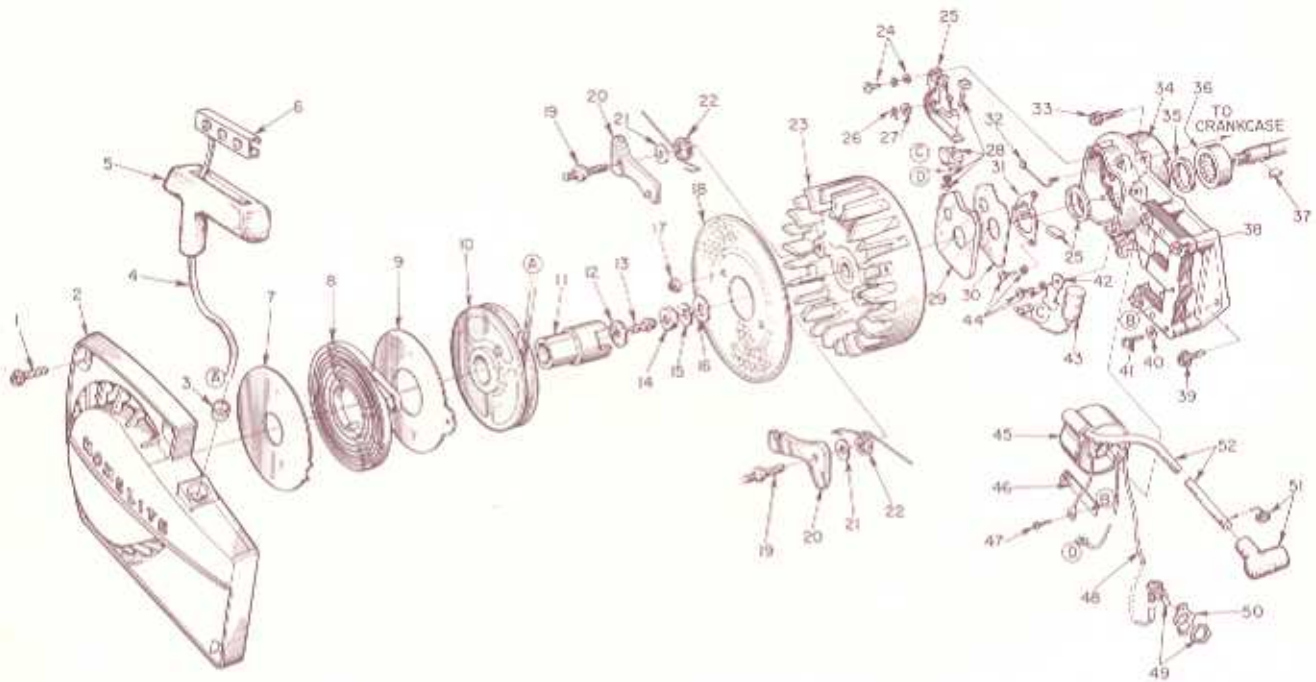


FIGURE 1

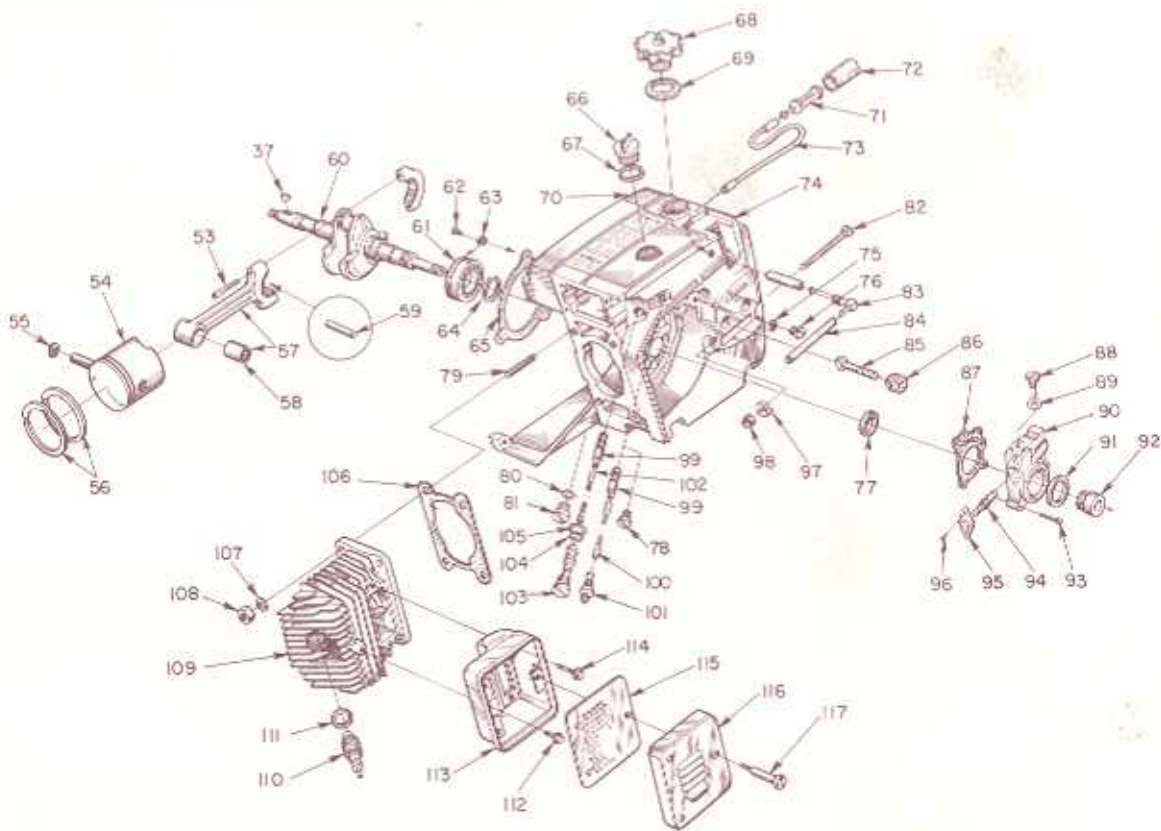


FIGURE 2

ALWAYS FURNISH MODEL AND SERIAL NUMBER WHEN ORDERING PARTS.



CHAIN SAWS



| No. | Description | Part No. | Qty |
|-----|---------------------------------|-----------|-----|
| 1 | SCREW - hex, 12-24 x 5/8 | 80676 | 4 |
| 2 | HOUSING - fan | A-63330-1 | 1 |
| 3 | Includes: BUSHING - rope | 59313 | 1 |
| 4 | ROPE - starter | 52506 | 1 |
| 5 | GRIP - rope | 52915 | 1 |
| 6 | INSERT | 52827 | 1 |
| 7 | SHIELD - spring (inner) | 63366 | 1 |
| 8 | SPRING - rewind | 63205 | 1 |
| 9 | SHIELD - spring (outer) | 63663-A | 1 |
| 10 | PULLEY - starter | 58759-1 | 1 |
| 11 | CUP - starter | 58760 | 1 |
| 12 | WASHER - retaining | 58763 | 1 |
| 13 | SCREW - hex | 80648 | 1 |
| 14 | NUT - hex, 3/8-24 | 81124 | 1 |
| 15 | WASHER - lock, 3/8 | 80192 | 1 |
| 16 | WASHER - flat, 3/8 | 84016-1 | 1 |
| 17 | NUT - lock, 10-32 | 81109-2 | 2 |
| 18 | SCREEN - air | 64137-A | 1 |
| 19 | STUD - pawl | 58757-B | 2 |
| 20 | PAWL - starter (finger) | 58756 | 2 |
| 21 | WASHER | 58851 | 2 |
| 22 | SPRING - pawl | 58758 | 2 |
| 23 | ROTOR | 63406 | 1 |
| 24 | SCREW (GROUP) - points | 76421 | 1 |
| 25 | POINT SET - w/feels | A-63631 | 1 |
| 26 | Includes: CLIP - point | 25008 | 1 |
| 27 | WASHER - point | 29026 | 1 |
| 28 | TERMINAL BLOCK GROUP | A-68934 | 1 |
| 29 | COVER - breaker box | 63217 | 1 |
| 30 | GASKET - cover | 63316 | 1 |
| 31 | RETAINER - felt | 63628 | 1 |
| 32 | SPRING - cover (clip) | 76413 | 1 |
| 33 | SCREW - hex, 12-24 x 11/16 | 80751 | 3 |
| 34 | PLATE - back | A-63603 | 1 |
| 35 | Includes: BEAL | 58688-A | 1 |
| 36 | BEARING - roller | 63196 | 1 |
| 37 | KEY | 75075 | 1 |
| 38 | CORE - coil | 63630 | 1 |
| 39 | SCREW - hex, 12-24 x 9/16 | 80899 | 1 |
| 40 | WASHER - flat 1/8 | 84925-1 | 4 |
| 41 | SCREW - rd., 8-32 x 3/4 | 80400 | 4 |
| 42 | CLAMP - condenser | 63627 | 1 |
| 43 | CONDENSER - ignition | 63626 | 1 |
| 44 | SCREW | 55411 | 3 |
| 45 | COIL - ignition | 63625 | 1 |
| 46 | CLIP - coil retaining | 63720 | 1 |
| 47 | SCREW - coil clip | 58872 | 1 |
| 48 | LEAD - ground | A-59031 | 1 |
| 49 | SWITCH - w/nut | A-57650-2 | 1 |
| 50 | PLATE - "ON-OFF" | 72985-A | 1 |
| 51 | TERMINAL - spark plug | A-32055 | 1 |
| 52 | LEAD - high tension | 63632 | 1 |
| 53 | SCREW - socket cap, 8-32 x 9/16 | 80805 | 2 |
| 54 | PISTON & PIN - 2" bore | *A-63790 | 1 |
| 55 | PISTON & PIN - 2 1/16" bore | *A-63781 | 1 |
| 56 | Includes: RING - retaining | 55095 | 1 |
| 57 | RING - piston (2" bore) | *55098 | 2 |
| 58 | RING - piston (2 1/16" bore) | *55097 | 2 |
| 59 | ROD - connecting | A-63309 | 1 |
| 60 | Includes: BEARING - needle | 59351 | 1 |

| No. | Description | Part No. | Qty |
|-----|--------------------------------|------------|-----|
| 59 | BEARING - needle (25 rollers) | A-63307 | 1 |
| 60 | CRANKSHAFT | *59625-1 | 1 |
| 61 | CRANKSHAFT | *59625-2 | 1 |
| 62 | BEARING - ball | 58390-8 | 1 |
| 63 | SCREW - bearing retaining | 39704 | 2 |
| 64 | WASHER - lock | 39705 | 2 |
| 65 | RING - retaining | 75319-A | 1 |
| 66 | GASKET - sealing | 63319 | 1 |
| 67 | CAP - oil (vented) | A-63717 | 1 |
| 68 | Includes: GASKET | 56697 | 1 |
| 69 | CAP - fuel | A-64140-A | 1 |
| 70 | Includes: GASKET | 58957 | 1 |
| 71 | DECAL | 64154 | 1 |
| 72 | FILTER ASSEMBLY | A-69251 | 1 |
| 73 | Includes: FILTER | 59253 | 1 |
| 74 | LINE - flexible | 53903 | 1 |
| 75 | CRANKCASE & TANKS ¹ | A-63682-C | 1 |
| 76 | Includes: GASKET | 58338 | 1 |
| 77 | CAP | 58339 | 1 |
| 78 | SEAL | 59088-A | 1 |
| 79 | PLUG - pipe | 428097 | 1 |
| 80 | STUD | 58871 | 4 |
| 81 | WASHER | *58138 | 1 |
| 82 | CAP | *63115 | 1 |
| 83 | STUD - guide bar | 59744-A | 2 |
| 84 | INSERT - threaded | 59996 | 2 |
| 85 | SCREW - guide bar adjusting | 63267 | 1 |
| 86 | FITTING - elbow | 63297-A | 1 |
| 87 | LINE - fuel | 63335-A | 1 |
| 88 | GASKET - oil pump | 643471-A | 1 |
| 89 | SCREW - cam | 59737 | 1 |
| 90 | GASKET | 59736 | 1 |
| 91 | HOUSING - automatic oiler | A-63461-B | 1 |
| 92 | SEAL - felt | 539926 | 1 |
| 93 | GEAR - worm | 59675 | 1 |
| 94 | SCREW - flt, 5-32 x 3/4 | 80028 | 3 |
| 95 | PLUNGER - gear | 60370 | 1 |
| 96 | BEARING - flanged | 60719 | 1 |
| 97 | SCREW - pan, 4-40 x 1/4 | 80919 | 2 |
| 98 | PIN - guide bar adjusting | 58783 | 1 |
| 99 | NUT - lock, 1/4-20 | 81109 | 1 |
| 100 | FILTER - oil | A-64293 | 1 |
| 101 | LINE - oil pick-up | *63665 | 1 |
| 102 | CONNECTOR - oil filter | *39937 | 1 |
| 103 | SLEEVE - flexible oil | 59990 | 1 |
| 104 | TUBE - oil line | 603452-A | 1 |
| 105 | "O" RING | 55948 | 1 |
| 106 | GASKET - oil line tube | 60371 | 1 |
| 107 | GASKET - cylinder ² | 63778 | 1 |
| 108 | WASHER - lock, 1/4 | 82999 | 4 |
| 109 | NUT - hex, 1/4 x 24 | 81065-2 | 4 |
| 110 | CYLINDER - 2" bore | *63012-2 | 1 |
| 111 | CYLINDER - 2 1/16" bore | *63012-1 | 1 |
| 112 | SPARK PLUG | 63547-B | 1 |
| 113 | Includes: GASKET | 25038 | 1 |
| 114 | SCREW - hex, 12-24 x 3/8 | 80437 | 1 |
| 115 | BODY - muffler | A-63535-1A | 1 |
| 116 | SCREW - hex, 12-24 x 5/8 | 80978 | 2 |
| 117 | BAFFLE - muffler | 63521-A | 1 |
| 118 | CAP - muffler | 63520-1 | 1 |
| 119 | SCREW - shoulder | 63855 | 3 |

ACCESSORY

Spark Arrester (not shown) A-63540-A 1

* XL-700 units only

† XL-800 units only

¹ Units below Serial #2353392, A-63682-A Crankcase and Tank Assy. is superseded by A-63682-C. When A-63682-C is supplied as a replacement, Part A-63485-2 Handle Bar must be replaced with A-63485-2A.

² Two separate gaskets replace one piece gasket used in some units.

SPECIAL TOOLS available on order

| Part No. | Description | Part No. | Description |
|-----------|---|----------|---|
| A-28937-A | COMBINATION WRENCH | A-23904 | WRENCH |
| 24828 | PLIERS - piston snap ring | A-23696 | REMOVER - threaded spider |
| 24828 | WRENCH - socket screw (conn. rod) | A-23541 | WRENCH - insert (guide bar stud) |
| 23955 | PLUG - bearing installation (conn. rod) | A-23969 | PULLER - rotor |
| *A-23137 | JACKSCREW | *23519 | PLUG - needle bearing (sprocket) |
| AA-23965 | JACKSCREW | 23520 | PLUG - bearing installation (sprocket) |
| *23136 | BODY - jackscrew | 23956 | PLUG - bearing and seal installation (back plate) |
| 22836-1 | BODY - jackscrew | A-23962 | REMOVER - bearing (back plate) |
| 22820-3 | COLLAR - bearing | 23846-2 | ANVIL - bearing disassembling (back plate) |
| 22820-4 | COLLAR - bearing | A-23931 | PLUG - piston pin removal |
| 23846-1 | ANVIL - crankshaft installation | 24996-1 | PLATE - crankshaft aligning |
| *23759 | SLEEVE - seal protecting (crankcase) | | PAINT |
| 23971 | SLEEVE - seal protecting (crankcase) | 23318 | SPRAY CAN - blue |
| 23972 | SLEEVE - seal installation (crankcase) | 22771 | SPRAY CAN - red |
| 23937 | PLUG - seal installation (crankcase) | 23360 | SPRAY CAN - white |
| 23987 | SHIM - point gap | | |

ALWAYS FURNISH MODEL AND SERIAL NUMBER WHEN ORDERING PARTS.

XL-700 CHAIN SAWS XL-800

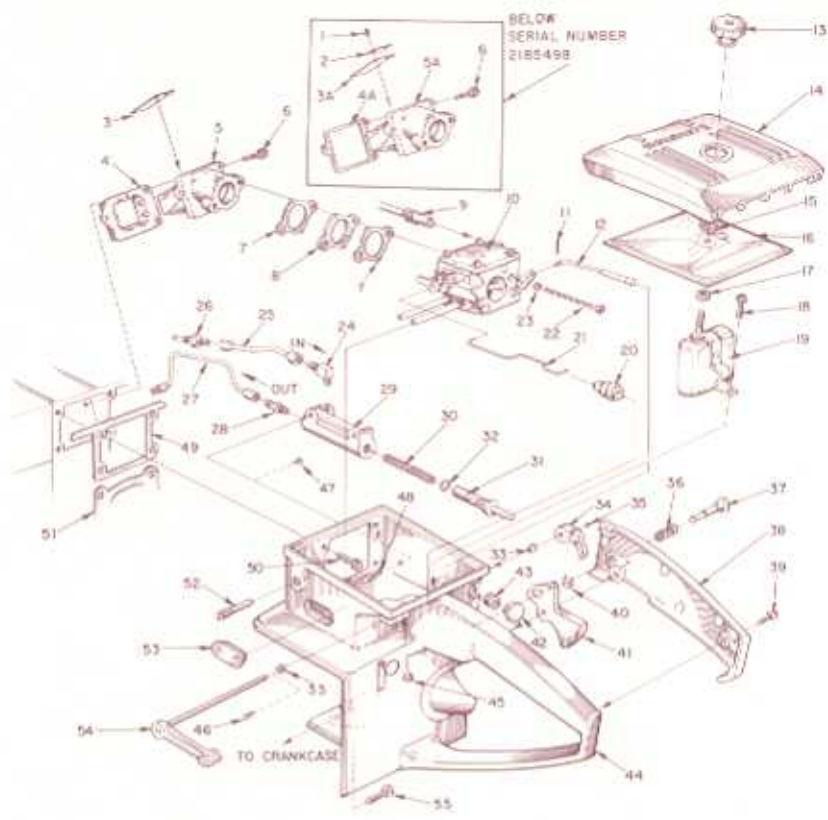


FIGURE 3

| No. | Description | Part No. | Qty | No. | Description | Part No. | Qty |
|------|----------------------------|-----------|-----|-----|----------------------------------|-------------|-----|
| 1 | SCREW - pan, 4-40 x 1/8 | 80918 | 8 | 25 | VALVE - check | *A-50456-A | 1 |
| 2 | SPRING - valve | 59679 | 4 | 29 | BODY - oil pump | *63043-2 | 1 |
| 3 | VALVE - reed | 63166 | 4 | 30 | SPRING - plunger | *59293 | 1 |
| **2A | VALVE - reed | 63667 | 4 | 31 | PLUNGER - oil pump | *A-57834-14 | 1 |
| 4 | RETAINER | 63370 | 1 | | Includes: "O" RING - shaft | *59074 | 1 |
| **4A | GASKET - seat | 63255 | 1 | | "O" RING - plunger | *74355 | 1 |
| 5 | SEAT - reed valve | A-63907 | 1 | 32 | BUSHING - throttle handle | *63400 | 2 |
| **5A | SEAT - reed valve | A-63333 | 1 | 34 | LEVER - oiler ② | *63290-2A | 1 |
| 6 | SCREW - pan, 8-32 x 1/2 | 63700 | 5 | 35 | SCREW - socket, set 8-32 x 1/4 ② | *80989 | 1 |
| 7 | GASKET - carburetor | 63254 | 2 | 36 | SPRING - lock | 58405 | 1 |
| 8 | SPACER - carburetor | 63256 | 1 | 37 | PIN - throttle lock | 58924 | 1 |
| 9 | LINE - fuel | 63335-A | 1 | 38 | COVER - throttle handle | A-63325-1 | 1 |
| 10 | CARBURETOR | A-63445 | 1 | | Includes: BUSHING - pin | 59064 | 1 |
| 11 | PIN - cutter | 86324 | 1 | 39 | SCREW - pan, 5-32 x 1/2 | 80560 | 2 |
| 12 | ROD - choke | A-63337 | 1 | 40 | RING - retaining | 58409 | 1 |
| 13 | NUT - cover mounting | A-63552-A | 1 | 41 | THROTTLE - trigger | 58859 | 1 |
| 14 | COVER - air filter | 63634-1 | 1 | 42 | BUTTON | 57289-1 | 1 |
| 15 | RING - retainer | 55319-A | 1 | 43 | GROMMET | 58362 | 1 |
| 16 | FILTER ELEMENT - air | 63341 | 1 | 44 | HANDLE - throttle ① | A-63683 | 1 |
| 17 | GASKET - mounting nut | 58392-1 | 1 | | Includes: BUMPER - rubber | 56208 | 1 |
| 18 | SCREW - hex, 12-24 x 3/2 | 50821 | 1 | 45 | PLUG | 63848 | 2 |
| 19 | DEFLECTOR - air, w/bracket | A-63393 | 1 | 46 | PLUG | 63847 | 2 |
| 20 | BOOT - throttle rod | 55348 | 1 | 48 | SCREW - sl. hex, 8-32 x 1/2 | *80983 | 2 |
| 21 | ROD - throttle | 63266 | 1 | 49 | GASKET - throttle handle | 63779 | 1 |
| 22 | SCREW - hex, 10-32 x 2 | 80965 | 2 | 50 | SCREW - hex, 12-24 x 3/8 | 80676 | 4 |
| 23 | WASHER - lock, #10 | 83046 | 2 | 51 | GASKET - cylinder | 63778 | 1 |
| 24 | VALVE - check | *A-63432 | 1 | 52 | SCREW - idle adjustment | 63369 | 1 |
| 25 | LINE - oil | *A-63298 | 1 | 53 | GROMMET | 59058 | 1 |
| 26 | CONNECTOR - oil filter | *59937 | 1 | 54 | LEVER - oiler w/shaft | *A-63327 | 1 |
| 27 | LINE - oil | *A-63299 | 1 | 55 | SCREW - hex, 12-24 x 1/8 | 80891 | 1 |

* XL-700 units only
 / XL-800 units only
 ** For Units below Serial #2185498

- ① Service replacement Throttle Handle supplied with instructions for assembly in XL-700, or XL-800 units.
- ② 63280-2A Lever supersedes 63290-2 and must use 80989 Set Screw. Units below Serial No. 2216705 use 80267 Set Screw.

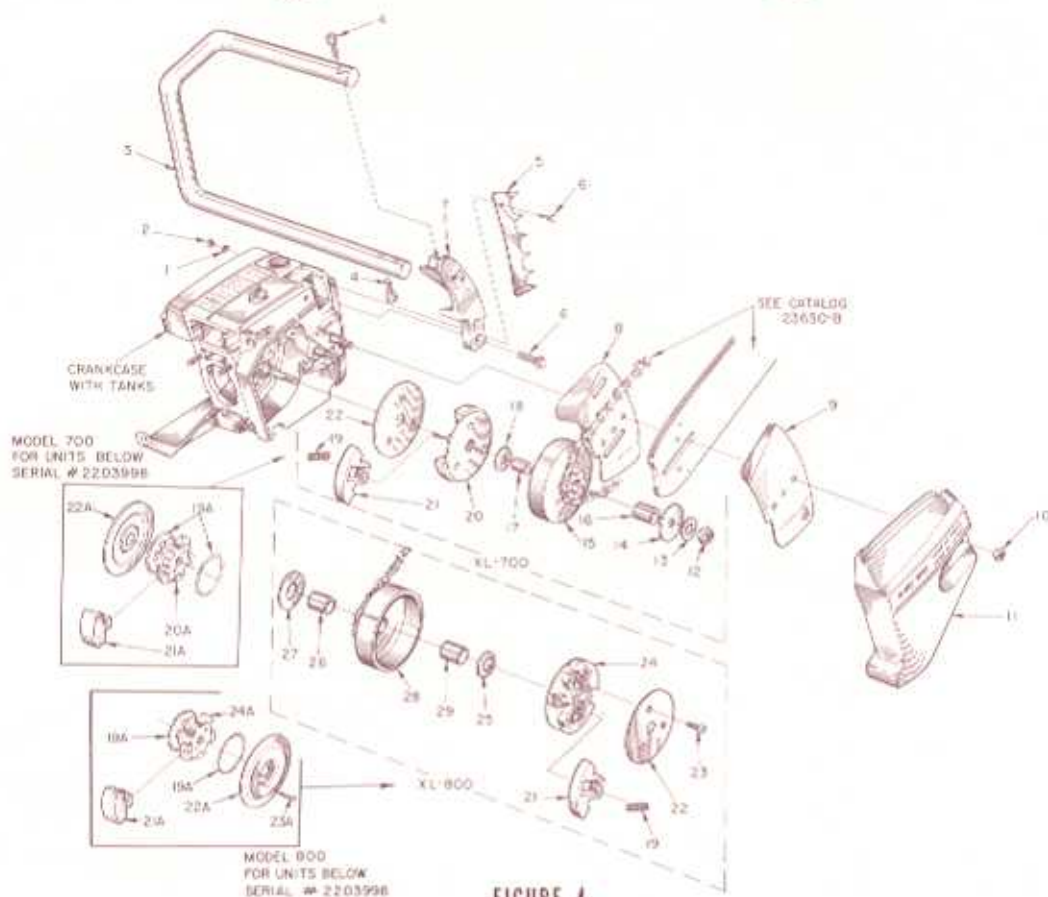


FIGURE 4

| No. | Description | Part No. | Qty. | No. | Description | Part No. | Qty. |
|-------------|---|------------|-----------|-------------|--------------------------------|----------|------|
| 1 | WASHER - lock, #12 | 63056 | 2 | 17 | RACE - inner | *63584 | 1 |
| 2 | NUT - 12-24 | 61065 | 2 | 18 | WASHER - thrust (inner) | *63831 | 1 |
| 3 | HANDLE BAR - flush cut | A-63483-2A | 1 | 19 | SPRING | 63977 | 3 |
| 4 | HANDLE BAR - wrap-around ^① | A-63053-A | 1 | **19A | SPRING - clutch | 55123-C | 2 |
| 5 | SCREW - socket, 1/4-20 x 1 | 80425 | 3 | 20 | PLATE - clutch | *63053-1 | 1 |
| 6 | DUMPER - spiked (optional) | 63549 | 1 | **30A | SPIDER - clutch | *58927-1 | 1 |
| 7 | SCREW - hex, 12-24 x 1/4 | 80807 | as req'd. | 21 | SHOE - clutch | 63067 | 3 |
| 8 | BRACKET - handle bar (flush cut) | 63011-3 | 1 | **21A | SHOE - clutch | 58928 | 3 |
| 9 | BRACKET - handle bar (wrap-around) ^① | 63011-5 | 1 | 22 | COVER | 63051-1 | 1 |
| 10 | PLATE - guide bar (inner) | 58781 | 1 | **22A | COVER - clutch | 58751-1 | 1 |
| 11 | PLATE - guide bar (outer) | 58782 | 1 | **23 | SCREW - button 1/4-20 x 1/2 | A8985 | 3 |
| 12 | NUT - 5/16-18 | 51196 | 2 | **23A | SCREW - button 10-32 x 1/2 | A8976 | 2 |
| 13 | COVER - drivecase | 63009-2 | 1 | **24 | PLATE - clutch | A63053-2 | 1 |
| 14 | NUT - lock, 3/8-24 | *61192 | 1 | **24A | SPIDER - clutch | A58927-2 | 1 |
| 15 | WASHER - flat, 3/8 | *62010-1 | 1 | 25 | WASHER - thrust (outer) | A3462 | 1 |
| 16 | WASHER - thrust (outer) | *58926 | 1 | 26 | RACE - inner | A63588 | 1 |
| | | | | 27 | WASHER - thrust (inner) | A63483 | 1 |
| XL-700 ONLY | | | | XL-800 ONLY | | | |
| 15 | SPROCKET & DRUM ^② | | | 28 | SPROCKET & DRUM | | |
| | standard - 7 tooth, 3/8" pitch | *A-59552 | 1 | | optional - 7 tooth, .404 pitch | A-63460 | 1 |
| | optional - 8 tooth, 3/8" pitch | *A-63346 | 1 | | standard - 7 tooth, 3/8" pitch | A-63813 | 1 |
| | 7 tooth, .404 pitch | *A-59555 | 1 | 29 | Includes: BEARING - needle | A77442 | 1 |
| 16 | Includes: BEARING - needle | *72311 | 1 | | SPROCKET & DRUM (not shown) | | |
| | New "Splined" type (not shown) | | | | 7 tooth, .404 pitch | A-64369 | 1 |
| | DRUM & HUB - sprocket | *A-63388 | 1 | | 7 tooth, 3/8" pitch | A-64368 | 1 |
| | Includes: BEARING - needle | *72311 | 1 | | Includes: BEARING - needle | 64124 | 1 |
| | SPROCKET - "splined" ^② | | | | RACE - inner | 64129 | 1 |
| | rim type - 7 tooth, 3/8" pitch | *63284 | | | | | |
| | 7 tooth, .404 pitch | *63285 | 1 | | | | |

*XL-700 units only
 **XL-800 units only

**Units below Serial #2203998 (See Note ③).

① Wrap around Handle Bar and Special Bracket also requires #63660 Brace (not shown) mounted on drivecase cover. Attach Brace to Handle Bar with one #80667 screw.

② Check type and number of teeth before ordering. "Splined" HUB & DRUM requires one of "splined" sprockets listed.

③ Parts are not interchangeable except as complete assemblies.

**You'll
SPEED WORK
and make
MORE MONEY
with...**

HOMELITE

SELF-PRIMING PUMPS



DEPENDABLE GENERATORS



POWERFUL ONE-MAN CHAIN SAWS



ONE-MAN CONCRETE VIBRATORS



ELECTRIC BUILDER'S HAMMERS



1166

Printed in United States of America

Part No. 23974

Revision 1

HOMELITE

A **textron** DIVISION

PORT CHESTER, N. Y.

Illustrated in **ENR SPECIFIC** and
prepared by **PURNELL COMPANY, INC.**
Boston, Mass.