

Homelite

XP-1020
XP-1020 AUTO
XP-1130

PART NUMBER 23948-A

HOMELITE
XP1020

HOMELITE
XP1020
AUTOMATIC

HOMELITE
XP1130

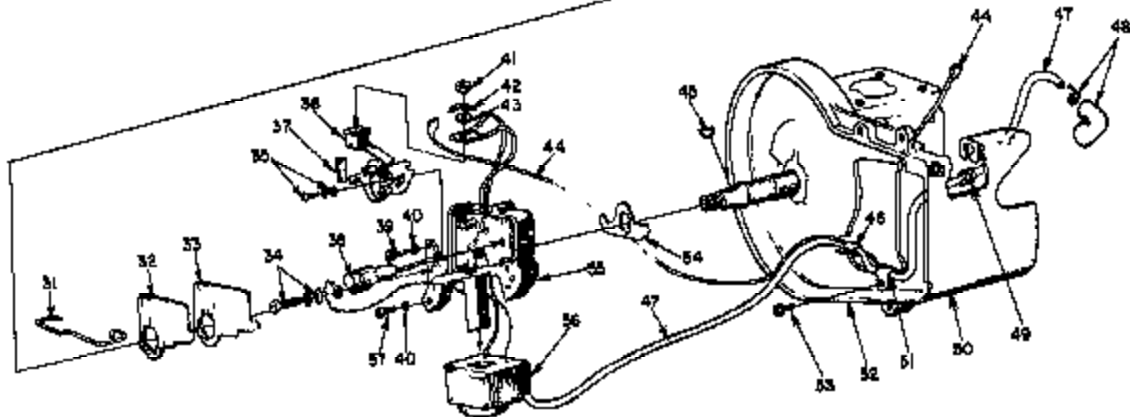
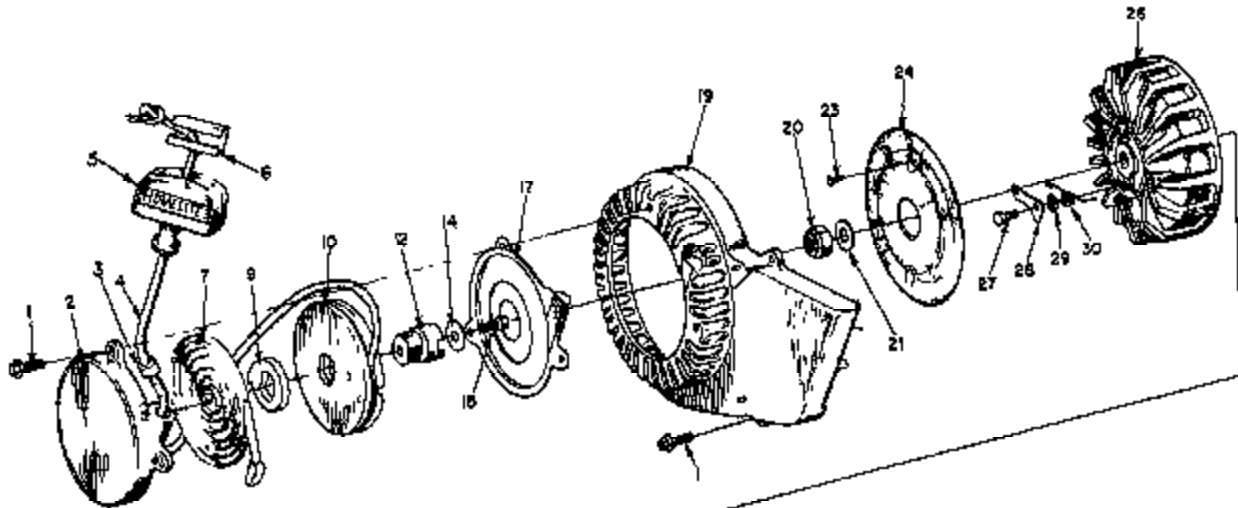
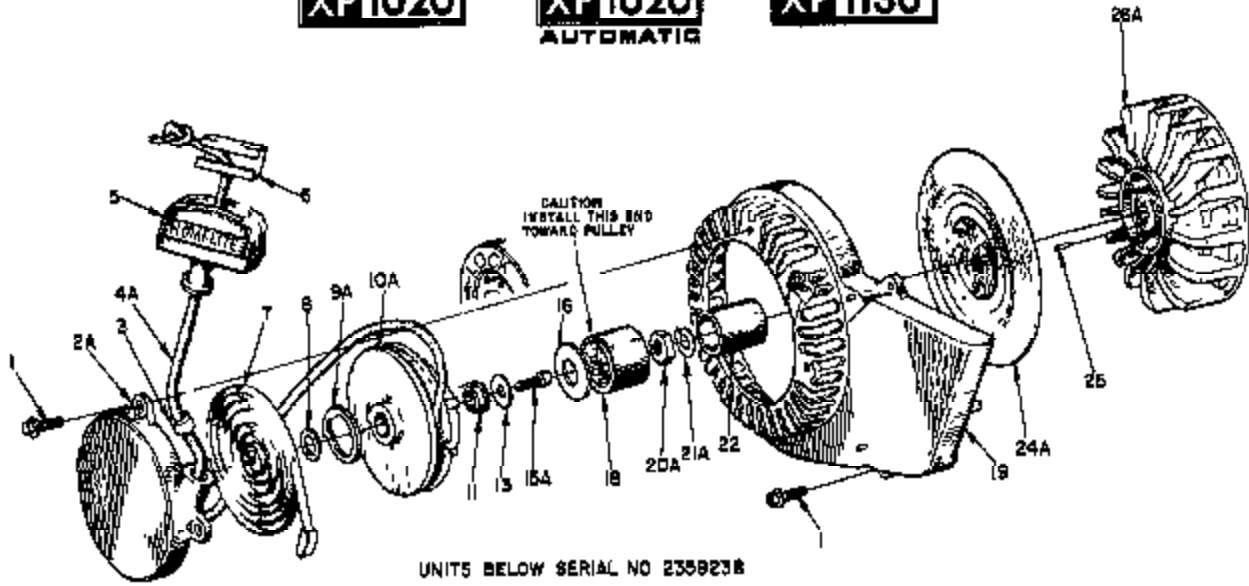


FIGURE 1

ALL DIMENSIONS ARE IN INCHES UNLESS OTHERWISE SPECIFIED

HOMELITE
XP1020
HOMELITE
XP1020
AUTOMATIC
HOMELITE
XP1130

No.	Description	Part No.	Qty.
1	SCREW - hex hd., 12-24 x 3/4	80867	10
2	COVER - starter	A-84178	1
2A	COVER - starter	A-59494-1	1
	Includes:		
3	BUSHING - rope	59313	1
4	ROPE - starter	58806	1
4A	ROPE - starter	68898	1
5	GRIP - rope	58937	1
6	INSERT - rope retaining	58517	1
7	SPRING - rewind	84130-A	1
8	WASHER - thrust	09412	1
9	LOCK - spring rewind	84048-A	1
9A	LOCK - spring rewind	58009	1
10	PULLEY - starter	64080-1	1
10A	PULLEY - starter	A-58488	1
	Includes:		
11	BUSHING	68007	1
12	CUP - starter	84061	1
13	WASHER - thrust	58418	1
14	WASHER - retaining	26763	1
15	SCREW - hex, 10-32 x 1/2	80048	1
15A	SCREW - socket hd., 10-32 x 3/8	80878	1
16	WASHER - thrust	64035	1
17	SHIELD - sawdust	84052	1
18	BEARING - overrunning	58480-A	1
19	HOUSING - fan	58084-1	1
20	NUT - lock, 7/16-20	81104	1
20A	NUT - hex 7/16-20	81101	1
21	WASHER - flat	84097	1
21A	WASHER, lock 7/16	23019	1
22	PLATE - inner	68208	1
23	SCREW - hex hd. (spintook)	80809-1	2
24	SCREEN - rotary	04066	1
24A	SCREEN - rotary	88011-A	1
25	PIN - dowel	58428	1
26	ROTOR	84053-A	1
26A	ROTOR	57668-B	1
27	STUD - shoulder	84064	2
28	PAWL - starter	58768	2
29	WASHER	58861	2
30	SPRING - starter pawl	58778-1	2
31	CLAMP - dust cover	55980	1
32	COVER - dust	02978	1
33	GASKET - dust cover	55978-2	1
34	SCREW GROUP - condenser	67750	1
35	SCREW GROUP - point	67740	1
36	POINT SET	A-58165	1
	Includes:		
37	WICK	81984	1
38	CONDENSER - w/terminal	55387	1
39	SCREW - fil. hd., 10-24 x 1/2	80505	1
40	WASHER - lock, #10	83046	3
41	NUT - terminal	58882	1
42	TAB - ground	57733	1
43	WASHER - terminal	55883	1
44	LEAD - ground w/terminal	A-58821	1
45	KEY - rotor	75078	1
46	ELEVEE	55280	1
47	LEAD - high tension	18882	1
48	TERMINAL - spark plug	A-58373-A	1
49	GROMMET	60828	1
50	CYLINDER SHIELD	A-63786-1	1
51	CLAMP - lead	58014	1
52	CRANKCASE - w/pin (see figure 2)	A-68072-A1	1
53	SCREW - hex hd., 10-32 x 3/8	80353-1	3
54	BEAL - breaker box	60202-A	1
55	BOX - breaker w/core	87744	1
56	COIL - w/ground terminal	58986-A	1
57	SCREW - fil. hd., 10-32 x 7/8	80560	2

ALWAYS FURNISH MODEL AND SERIAL NUMBER WHEN ORDERING PARTS.

3

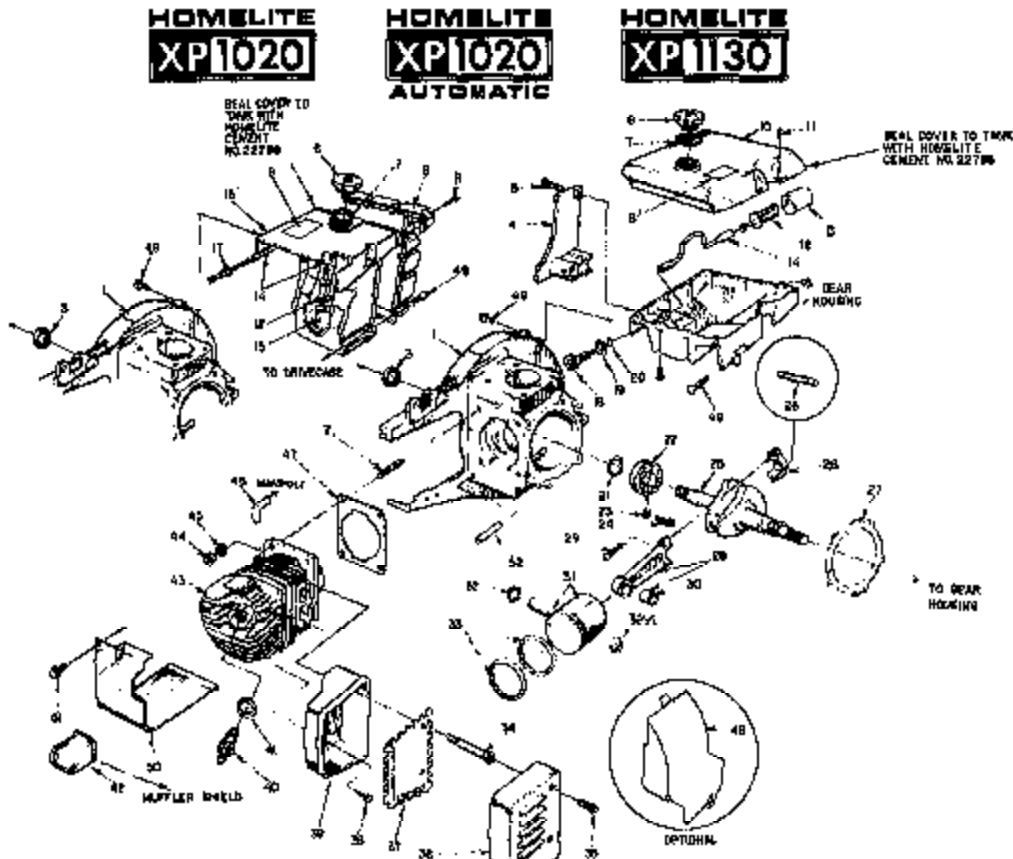


FIGURE 2

No.	Description	Part No.	XP-1020	XP-1020 Auto.	XP-1130	Qty.	No.	Description	Part No.	XP-1020	XP-1020 Auto.	XP-1130	Qty.
1	CRANKCASE - w/pins	A-63079-A1	*	*	*	1	28	CONDUCTING ROD	A-6884d	*	*	*	1
1A	Includes: PIN - dowel	74332	*	*	*	2	29	Includes: SCREW	8094a	*	*	*	2
2	STUD	51971	*	*	*	4	30	BRANDING - needle	68008	*	*	*	1
3	SEAL	53208-A	*	*	*	1	31	DETON and TIM	A-63073-b	*	*	*	1
4	BRACKET - handle bar	00026-B	*	*	*	1	32	Includes: KING - rotating	68280	*	*	*	1
5	SCREW - hex, 12-24 x 7/8	80851	*	*	*	1	32A	RING - rotating	84245	*	*	*	1
6	CAP - tank	A-04140-A	*	*	*	1	33	RING - piston	80291	*	*	*	2
7	Includes: GASKET	38957	*	*	*	1	34	STUD - muffler	1 60822-A	*	*	*	2
8	BEAL	64164	*	*	*	1	35	SCREW - hex hd., 12-24 x 3/8	80837	*	*	*	2
9	COVER - tank	60090-B	*	*	*	1	36	CAP - muffler	A-69988	*	*	*	1
10	COVER - tank	60687-B	*	*	*	1	37	MUFFLER - muffler	60078-A	*	*	*	1
11	SCREW - rd. hd., 6 x 1/2	80018	*	*	*	As req'd.	38	SCREW - hex, 1/4 - 20 x 1/8	1 80402	*	*	*	1
12	FILTER ASSEMBLY	A-68257	*	*	*	1	39	BODY - muffler	1A-69987-B	*	*	*	1
13	Includes: FILTER	68259	*	*	*	1	40	SPARK PLUG	03547-B	*	*	*	1
14	LINK - Dowdle	06808	*	*	*	1	41	Includes: GASKET	26098	*	*	*	1
15	TANK - fuel	58179-A1	*	*	*	1	42	CAP - spark plug	88726	*	*	*	1
16	TANK - fuel w/scraper	A-62369	*	*	*	1	43	CYLINDER - 2 1/2" bore	A-83461	*	*	*	1
17	PITTING - fuel outlet	58394	*	*	*	1	44	NUT - hex, 1/4 - 28	81005-2	*	*	*	4
18	PITTING - fuel	83132	*	*	*	1	45	WASHER - lock, 1/4	83006	*	*	*	4
19	CASKET	83176-1	*	*	*	1	46	WASHER - lock, 1/4	83006	*	*	*	1
20	"O" RING	00264	*	*	*	1	47	WASHER - lock, 1/4	83006	*	*	*	1
21	RING - rotating	88310-A	*	*	*	1	48	GASKET - cylinder	88202	*	*	*	1
22	BRANDING - stud	88110-B	*	*	*	1	49	Includes: CRANKSHAFT	88108-1	*	*	*	1
23	WASHER - lock	88081	*	*	*	2	50	SCREW - hex, hd., 12-24 x 3/4	80887	*	*	*	10
24	SCREW - bearing adjusting	10236-3	*	*	*	1	51	CYLINDRICAL BUSHING	A-82758-1	*	*	*	1
25	CRANKSHAFT	A-64350	*	*	*	1	52	SCREW - hex, hd., 50-24 x 3/8	80880-1	*	*	*	8
26	CRANKSHAFT	A-64068	*	*	*	1	53	BLUETEK	65280	*	*	*	1
27	CRANKSHAFT	A-64361	*	*	*	1							
28	ROLLERS - set of 31	A-64788	*	*	*	1							
29	CASKET	89950	*	*	*	1							

Accessories (not shown) - Available from Your Dealer

A-6251K, SPARK ARRESTOR requires Part No. 88546, BDM - 1 under each MUFFLER STUD.

A-64411 - MUFFLER and SHIELD ASSEMBLY

Includes: 04108 CAP, muffler 1
 00264-A SCREW, washer 8
 81-100-2 RING, muffler 1
 † Included with A-04411 MUFFLER and SHIELD ASSEMBLY.

1 For Units below Serial #2369238 use A-58842 CRANKSHAFT.

2 For Units below Serial #2369238 use A-63102 CRANKSHAFT.

3 Casters are available for Fuel Tanks.
 XP 1020 uses Part No. 84667 Castet
 XP 1130 uses Part No. 54706 Castet

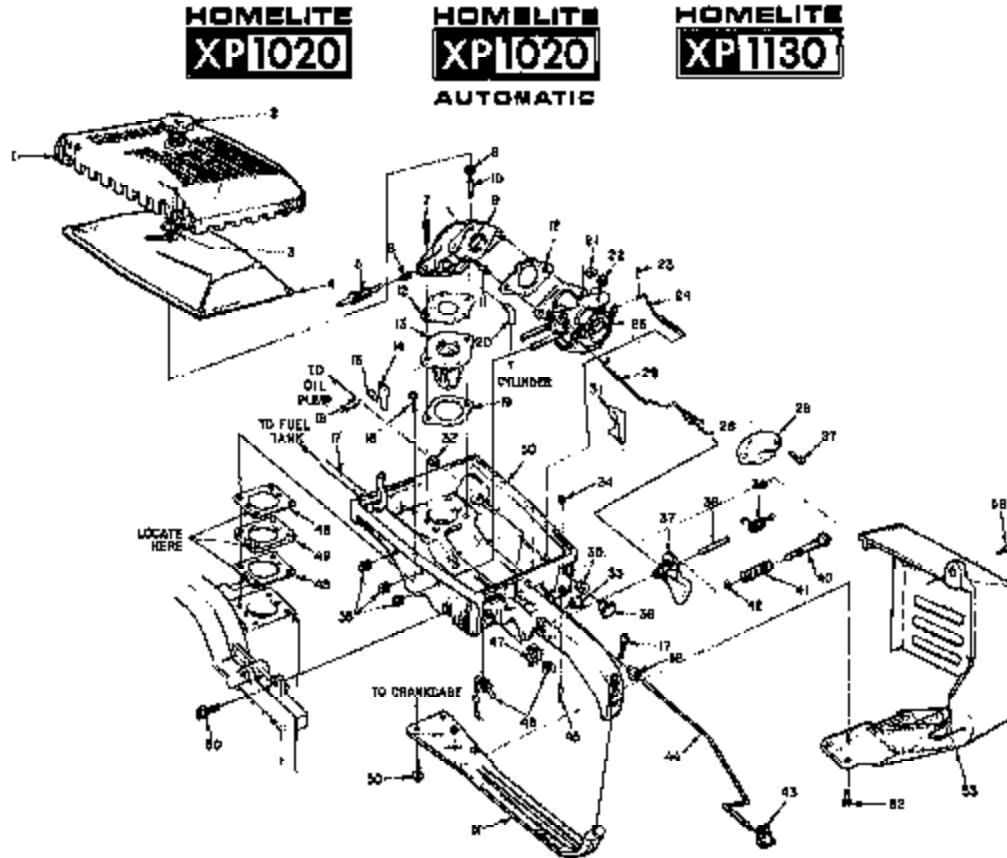


FIGURE 3

No.	Description	Part No.	Qty.	No.	Description	Part No.	Qty.
1	COVER - air filter	59230-1	1	28	ROD - rod	58348	1
2	NUT - cover	A-59228	1	29	ROD - throttle	58388	1
3	RING - retaining	58319-A	1	30	HANDLE - throttle	A-63665	1
4	ELEMENT - air filter	53728	1	31	Includes: STOP - rod	68929	1
5	SCREW - idle adjusting	63627	1	32	BUSHING - rod	68929	2
6	SPRING - adjusting screw	63664	1	33	BUSHING - lock pin	69004	1
7	SCREW - hex, 1/4-20 x 1 1/2	60682	2	34	PELT	62280	1
8	GASKET - stud	68992	1	35	OROMET	58382	4
9	MANIFOLD - intake	A-60628	1	36	BUTTON - rod	57289-1	1
10	STUD - cover	68981	1	37	TRIGGER - throttle	56181-A	1
11	STUD - carburetor	27484	2	38	SHAFT - trigger	58368	1
12	GASKET - carburetor	63685	2	39	SPRING - throttle	58362-A	1
13	SEAT - reed valve	68627-1	1	40	PIN - throttle lock	68404	1
14	REED	58628	4	41	SPRING - lock	68405	1
15	CLAMP - reed	58629	4	42	RING - retaining	58408	1
16	SCREW - pan, 4-40 x 5/16	60668	8	43	BUTTON - oil rod	58357	1
17	LINE - fuel	66680	1	44	ROD - oil pump (XP-1020)	68366-B	1
18	SCREW - hex, 12-24 x 1	60664	5		(XP-1130)	68127-A	1
19	GASKET	66948	1	45	PIN - cotter, 1/16 x 1/2	38301	2
20	LINE - fuel (idle)	68366	1	46	SWITCH - toggle w/nut	A-57850-3	1
21	WASHER - lock, 1/4	63609	4	47	PLATE - "ON-OFF"	72065-A	1
22	NUT - hex, 1/4-20	61013-1	2	48	GASKET - spacer	58343	2
23	PIN - cotter, 1/32 x 1/2	60324	1	49	SPACER	68361	1
24	ROD - choke	A-68364	1	50	SCREW - hex, 12-24 x 3/4	60687	6
25	CARBURETOR	A-63686	1	51	BRACE - throttle handle	58386-A	1
26	DEFLECTOR - carburetor	58837-2	1	52	SCREW - hex, 12-24 x 5/8	60676	3
27	SCREW - pan, 10-32 x 1/2	60625	2	53	SHIELD - muffler	63793-2	1

① Refer to Carburetor Parts List #23947, use Gasket Set #63680, Repair Parts Kit #63786.

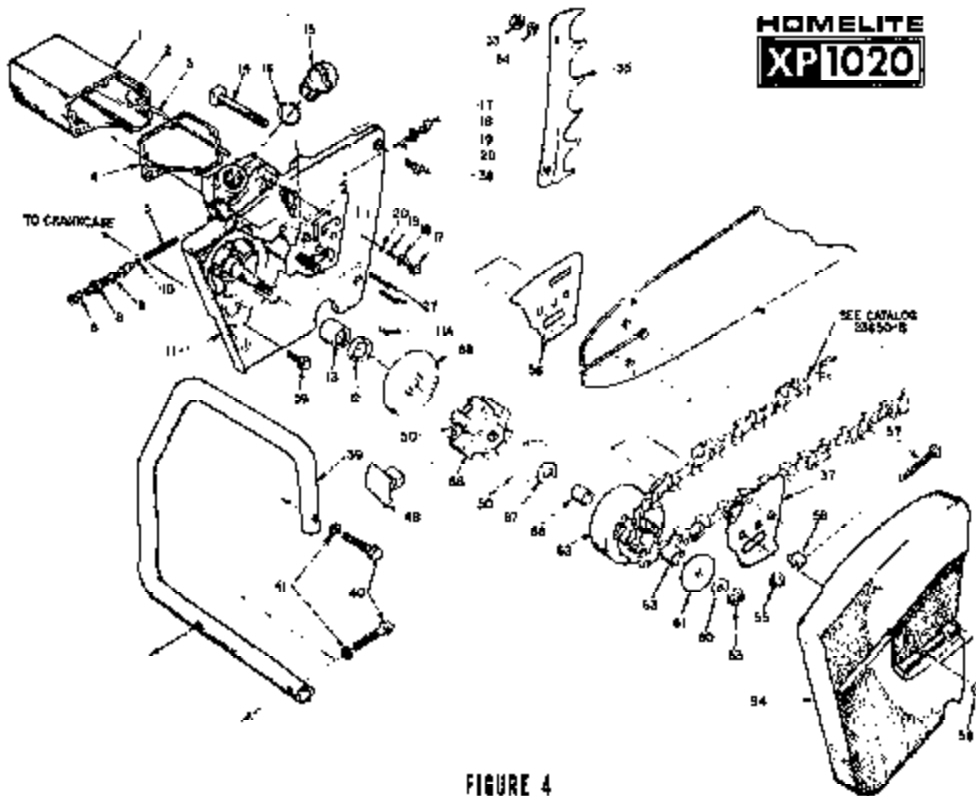
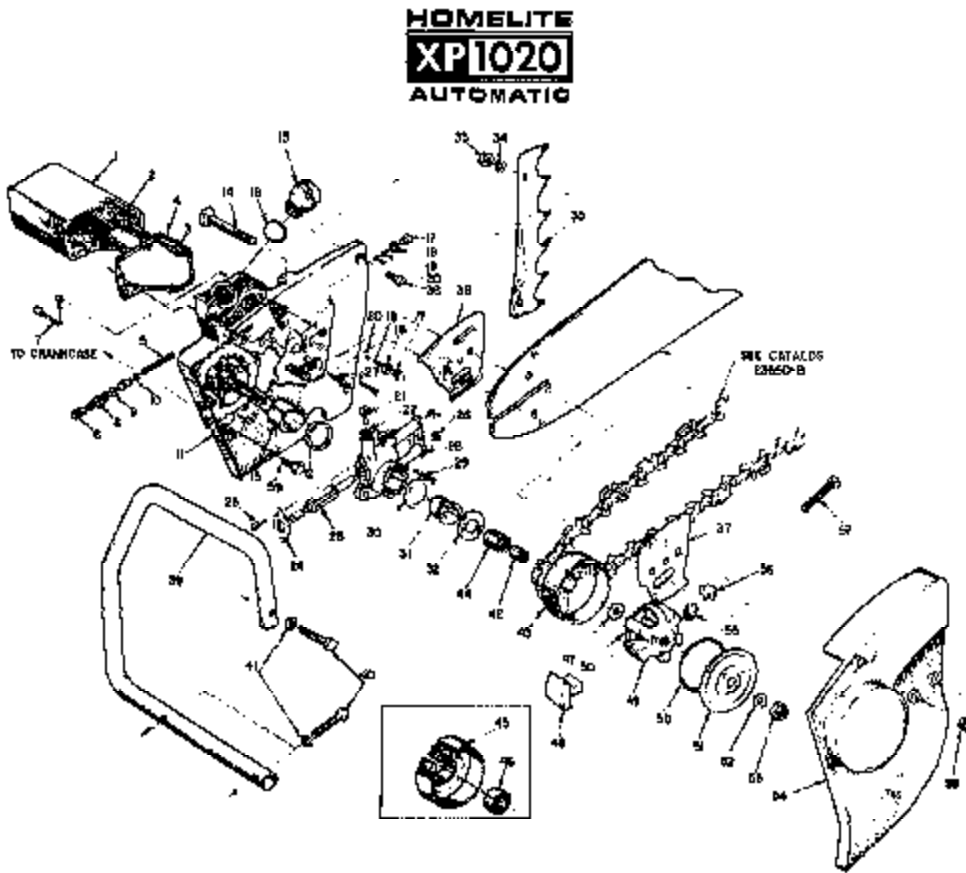


FIGURE 4

ALWAYS FURNISH MODEL AND SERIAL NUMBER WHEN ORDERING PARTS.



No.	Description	Part No.	XP-1020	XP-1020 Auto.	Qty.	No.	Description	Part No.	XP-1020	XP-1020 Auto.	Qty.
1	RESERVOIR - oil	A-58341	*	*	1	43	SPROCKET & DRUM				
2	FILTER - oil	A-64293	*	*	1		Open Type .404 pitch, 8 tooth	A-57341	*	*	1
3	LINE - oil pickup	58574	*	*	1		7/16" pitch, 7 tooth	A-58289	*	*	1
	LINE - oil pickup	58340-B	*	*	1		1/2" pitch, 7 tooth	A-58612	*	*	1
4	GASKET - reservoir	58342	*	*	1		Includes:				
5	SPRING - plunger	58333	*	*	1	44	BEARING - needle	58330	*	*	1
6	CONNECTOR - pump	58337-A	*	*	1	45	SPROCKET & DRUM				
7	LINE ASBY, oil pickup	A-84010	*	*	1		Rim Type 7/16" pitch, 7 tooth	A-57344-A	*	*	1
8	PLUNGER - oil pickup	A-57854-10	*	*	1		Includes:				
	Includes:					46	BEARING - needle	79442	*	*	1
9	"O" RING - shaft	59074	*	*	1	47	WASHER - thrust	58138	*	*	1
10	"O" RING - plunger	74388	*	*	1	48	SHOE - clutch	56078-3	*	*	3
11	DRIVECASE	A-84264	*	*	1	49	SPIDER - clutch	58548-2	*	*	1
	DRIVECASE	A-59493-A1	*	*	1	50	SPRING - clutch	58123-C	*	*	2
	Includes:					51	COVER - clutch	58289-A	*	*	1
11A	PLUG	58621	*	*	1	52	WASHER - flat	64027	*	*	1
12	SEAL	58206-A	*	*	1	53	NUT - hex, 3/8-24	51194	*	*	1
13	BEARING - needle	58043	*	*	1	54	COVER - drivecase	A-54074	*	*	1
14	BOLT - guide bar	58334	*	*	2		COVER - drivecase	A-58683-1	*	*	1
15	CAP - oil	AB4310	*	*	1		Includes:				
	Includes:					55	NUT - 5/16-18	51183	*	*	1
18	GASKET	56607	*	*	1	56	FDN - adjusting	58513-1	*	*	1
19	CAP - check valve	58336	*	*	2	57	SCREW - pin	50417	*	*	1
18	GASKET	58338	*	*	2	58	NUT - hex, 3/8-16	51089-2	*	*	2
19	SPRING	59092	*	*	2	59	SCREW - hex	50557	*	*	3
20	BALL - check	58527	*	*	2	60	WASHER - flat	54010-1	*	*	1
21	SCREW - cam	58737	*	*	1	61	WASHER - thrust	58139-1	*	*	1
22	GASKET	59936	*	*	1	62	SPROCKET & DRUM				
23	SCREW	50819	*	*	2		Open Type - 3/8" pitch, 8 tooth	A-58923	*	*	1
24	BEARING - flange	58719	*	*	1		.404 pitch, 7 tooth	A-57344	*	*	1
25	PLUNGER and GEAR	44138	*	*	1		7/16" pitch, 7 tooth	A-58377	*	*	1
26	"O" RING	58872	*	*	2		1/2" pitch, 6 tooth	A-58018	*	*	1
27	SCREW, rd., hd. #6 x 3/4	50780	*	*	5		Includes:				
28	HOUSING - oil pump	A-84092	*	*	1	63	BEARING - needle	58064	*	*	1
29	SCREW - hex, 3-32 x 1/2	50250	*	*	5		New "Spined" Type - not shown				
30	SEAL - felt	58926	*	*	1		DRUM & HUB - sprocket				
31	WORM - gear	58893	*	*	1		(see below)	A-53288	*	*	1
32	WASHER, thrust	56338	*	*	1		Includes:				
33	NUT - hex, 1/4-20	51053	*	*	2		BEARING - needle	58664	*	*	1
34	WASHER - lock, 1/4	59009	*	*	2		SPROCKET - spined				
35	BUMPER - spiked	58396	*	*	1		Rim Type - .404 pitch, 7 tooth	58285	*	*	1
	(opt) BUMPER	58976	*	*	1		7/16" pitch, 7 tooth	58288	*	*	1
36	PLATE - guide bar (inner)	58871-A	*	*	1		1/2" pitch, 7 tooth	58287	*	*	1
37	PLATE - guide bar (outer)	58872-B	*	*	1	66	RACE - inner	58961	*	*	1
38	SCREW - flat, hd., 1/4-20 x 3/4	50053	*	*	3	67	WASHER - thrust	58680-1	*	*	1
39	HANDLE BAR - flush cut	A-58379-2	*	*	1	68	SPIDER - clutch	58568-1	*	*	1
	(opt. sid) Handle wrap around	A-53396	*	*	1	69	COVER - clutch	58101-A	*	*	1
	(opt. special) Handle wrap around	A-59922	*	*	1		Not Shown:				
40	SCREW - hex, 5/16-18 x 1 1/2	50087	*	*	3		PLATE - guard (std.)	58389-1	*	*	1
41	WASHER - lock, 5/16	52003	*	*	3		PLATE - guard (A.O.)	58449-1	*	*	1
42	RACE - inner	58891	*	*	1		PLATE - guard	54029-1	*	*	1

① #58621 Plug, in drivecase (chama), must be removed before Automatic Oiler Kit (accessory) can be installed.

② #A-59822 Handle Bar requires #59975 Bumper, and either #58388-1 Plate (standard model), or #5449-1 Plate (automatic oiler kits) or #4029-1 (automatic oiler.)

③ Check type and number of teeth before ordering sprocket. "Spined" Drum and Hub requires one of "Spined" sprockets listed.

ACCESSORY (XP-1020 only)

- #A-59671 AUTOMATIC OILER KIT - .404 pitch, 7 tooth See ①
- #A-58682 AUTOMATIC OILER KIT - 7/16" pitch, 7 tooth See ②
- #A-63241 AUTOMATIC OILER KIT - 1/2" pitch, 8 tooth See ③

(Instructions and parts list included with each kit.)

HOMELITE
XP1130
AUTOMATIC

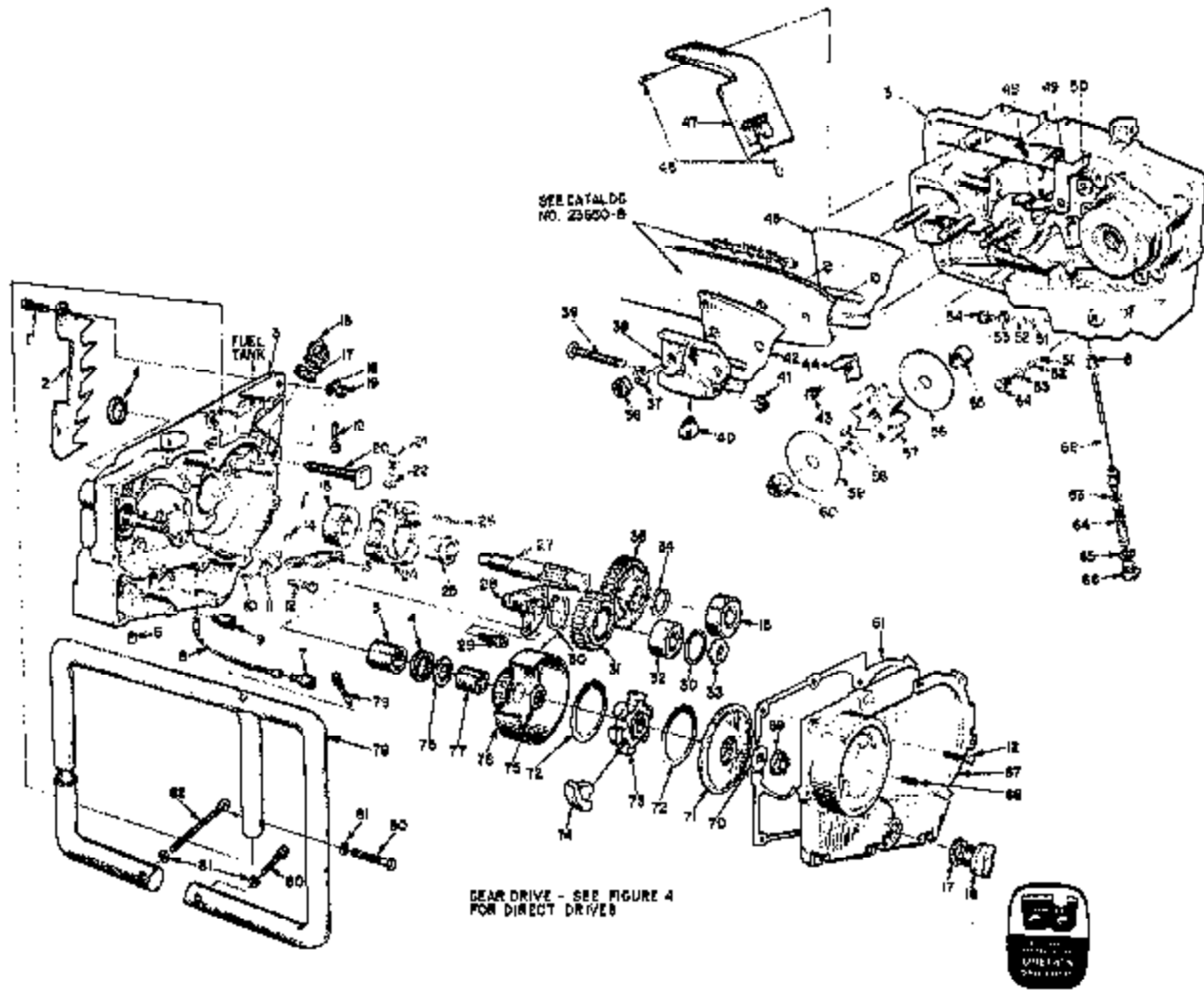


FIGURE 5

ALWAYS FURNISH MODEL AND SERIAL NUMBER WHEN ORDERING PARTS.



No.	Description	Part No.	Qty.	No.	Description	Part No.	Qty.
1	SCREW - hex, 1/4-20 x 3/4	80218-1	2	40	PIN	55552-1	1
	hex, 1/4-20 x 7/8	80181-3	2	41	NDT	81120	1
2	BUMPER - splined (std.)	83130	1	42	PLATE - guide bar (outer)	88057-A	1
	Optional	83414	1	43	SCREW - hex, 10-24 x 3/8	80869-1	1
3	HOUSING - gear	A-03988-B	1	44	BRACKET - rod	89110	1
4	Includes: SEAL	88256-A	2	45	PLATE - guide bar (inner)	88056	1
5	BEARING - needle	78187-8	1	46	SCREW - hex, 12-24 x 3/8	80837	9
6	BUSHING - rod	80064	1	47	GUARD - chain	A-03776	1
	ELBOW (not shown)	89552	1	48	SCREW	89091	1
7	FILTER - oil (AO)	A-04293	1	49	BELL CRANK	88582	1
8	LINE - oil	88674	1	50	WASHER - thrust	83109	1
9	FILTER - oil (manual)	A-03116	1	51	BALL - check	85027	2
10	SCREW - pan, 4-40 x 1/4	80910	2	52	SPRING	58022	2
11	BEARING - flanged	59710	1	53	GASKET	88238	2
12	SCREW - hex, 12-24 x 3/4	80887	18	54	CAP - check valve	88379	2
13	PLUNGER & GEAR	83093	1	55	SPACER - sprocket	81897	1
14	"O" RING	90872	2	56	WASHER - sprocket (inner)	88074	1
15	BEARING - ball	63107-B	2	57	SPROCKET - 8 tooth, 1/2" pitch	55503-3	1
16	CAP - idler (vented)	A-04110	2		(optional) - 7 tooth, 9/16" pitch	74461-1	1
17	Includes: GASKET	80007	2	58	KEY - sprocket	88076-1A	2
	(not shown) VALVE	83218	2	59	WASHER - sprocket (outer)	88077	1
	(not shown) COLLAR	83719	2	60	NUT - 1/2-20	81101	1
18	WASHER - lock, 1/4	83009	2	61	GASKET	83194	1
19	NUT - 1/4-20	81059	2	62	PLUNGER	A-89212	1
20	BOLT - guide bar	88334	2	63	Includes: "O" RING	74388	1
21	SCREW - cap	88797	1	64	SPRING	88908	1
22	GASKET	80786	1	65	WASHER	88298	1
23	HOUSING - oil pump	A-03086	1	66	CAP	89116	1
24	WORM - gear	83084	1	67	COVER - gear housing	88031-2	1
25	SCREW - hex, 8-32 x 7/8	80508	3	68	PLUG - pipe	28097	1
26	SHAFT - sprocket	89277-A	1	69	NUT - 3/8-24	81192	1
27	PORT - idler gear	89269-1A	1	70	WASHER	88038	1
28	SCREW - shoulder, 1/4-20	83407-1	2	71	COVER - clutch	88023	1
29	RING - retaining	88822	2	72	SPRING - clutch	55125-C	2
30	GEAR - idler	89200	1	73	SPIDER - clutch	88047-1	1
31	BEARING - ball	72228-B	1	74	SHOE - clutch	A-88028	6
32	NUT - idler gear	87788-A	1	75	WASHER - thrust	88132	2
33	RING - retaining	83108	1	76	DRUM - clutch w/gear	A-89120	1
34	GEAR - driven			77	BEARING - sleeve	88605	1
	2:1 ratio, 42 tooth	89318-1	1	78	HANDLE BAR - wrap - around	A-89190	1
	Optional 3:2 ratio, 64 tooth	89270-1	1	79	Includes: SCREW	80308	1
35	NUT - 3/8-16	81080-2	2	80	SCREW - hex, 8/16-18 x 1 1/2	80087	2
36	WASHER - lock, 3/8	83018	2	81	WASHER - lock, 8/16	83083	3
37	PLATE - adjusting	A-80581	1	82	SCREW - hex, 6/16-18 x 1 1/4	80698	1
38	Includes: PLATE	85661-2	1				
39	SCREW	80017	1				

① Check number of teeth on driven gear before ordering. Position of idler gear does not show for 2:1 gear ratio, mount on other pad for 3:1 gear ratio.
 ② Units with idle gear mounting screw hole drilled through gear housing use 890407 SHOULDER SCREW, all others use 83407-1 SHOULDER SCREW.

Part No.	Description	XP-1020	XP-1020 Auto.	XP-1130	XP-1130 Auto.
A-83037-A	WRENCH - combination	*	*	*	*
23874	PLUG - needle bearing (cono. rod)	x	x	x	x
23828	WRENCH - socket screw (cono. rod)	*	*	*	*
23828	PLUGS - wrap ring (piston)	*	*	*	*
AA-22600	REMOVER - rotor	*	*	*	*
20135	BODY - assembly	*	*	*	*
22820-2	ADAPTER - main bearing	*	*	*	*
A-23872	JACKSCREW	*	*	*	*
23870	PLATE - shaft aligning	*	*	*	*
23233-1	PLUG - seal assembly	*	*	*	*
23871	PLUG - drivecase seal	*	*	*	*
23893	SLIDER - shaft (drivecase)	*	*	*	*
A-23886	REMOVER - spider	*	*	*	*
23879	TOOL - starter bearing	*	*	*	*
A-23670	REMOVER - bearing (starter)	*	*	*	*
A-23960	TOOL - piston pin removal	*	*	*	*
A-24024	REMOVER - rotor	*	*	*	*

Part No.	Description	XP-1020	XP-1020 Auto.	XP-1130	XP-1130 Auto.
23870	TOOL - drivecase bearing	*	*	*	*
23133	TOOL - clutch drum bearing	*	*	*	*
23013	PLUG - ball bearing & seal	*	*	*	*
22750	TOOL - sprocket locking	*	*	*	*
21091-3	PLUG - needle bearing	*	*	*	*
23228	PLUG - sprocket shaft bearing	*	*	*	*
20420	PLUG - clutch drum brg.	*	*	*	*
PAINT					
22771	SPRAY CAN - red	*	*	*	*
22343	SPRAY CAN - green	*	*	*	*
REPLACEMENT DECAL 823742 composed of "MILLET DRIVE", "GEAR DRIVE", "STARTING INSTRUCTIONS", and two "HOMELITE" letters 1/2" and 1/4" high.)					

* Per Unit below Serial #2396208.

ALWAYS FURNISH MODEL AND SERIAL NUMBER WHEN ORDERING PARTS.



HOMELITE

A **tectran** DIVISION • PORT CHESTER, NEW YORK

1167
Part No. 23948-A
Revision 1
Supersedes 23948

Printed in U.S.A.