

# Homelite®

## PARTS LIST

### MODELS

**st725cea**  
(UT20644R)

**z725ce**  
(UT20616)  
(UT20616-A)

**z725cea**  
(UT20644)

**z725se**  
(UT20618)  
(UT20618-A)

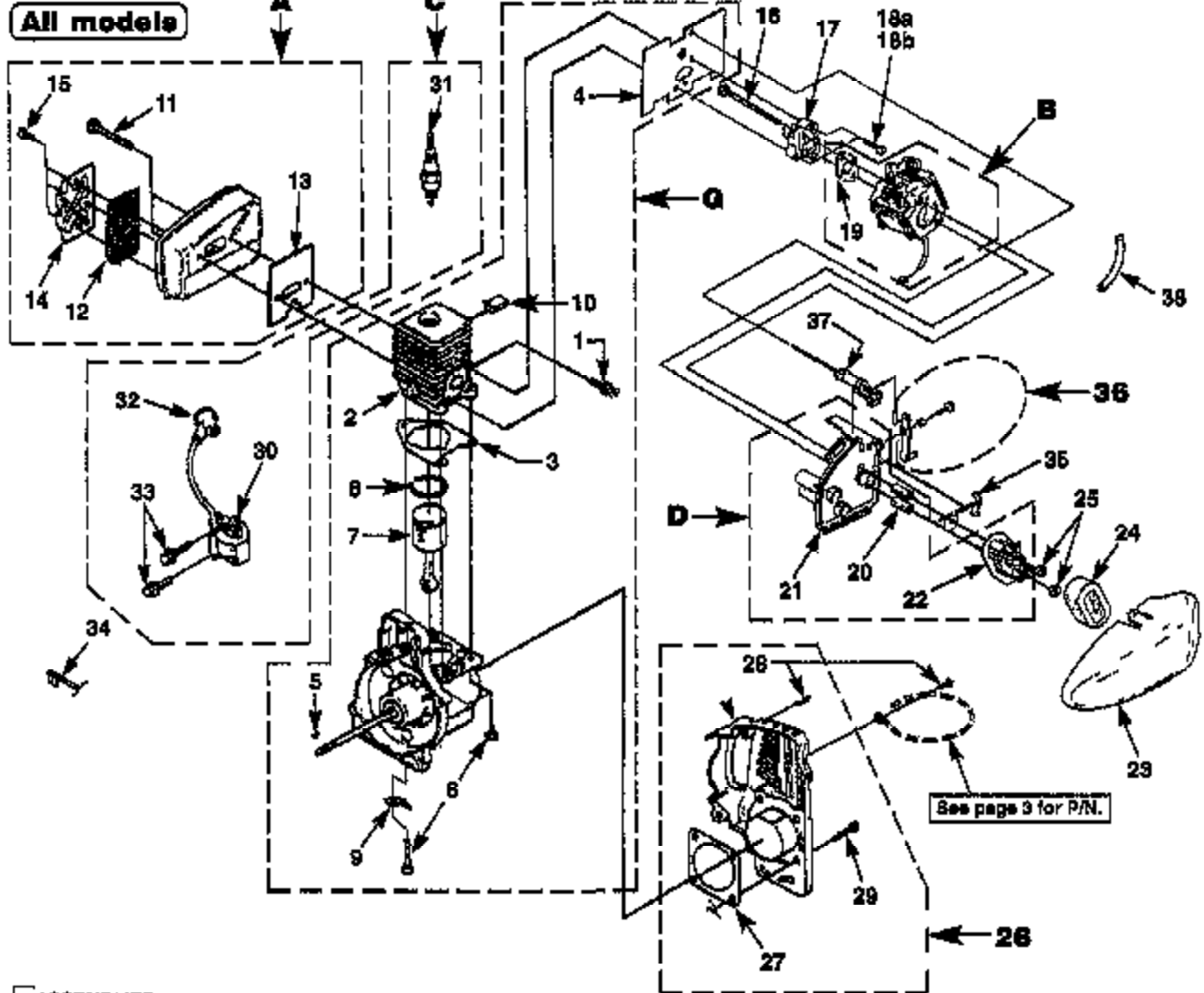
**s825sev**  
(UT20634)  
(UT20634-A)

#### NOTE

THIS PARTS LIST COVERS ONLY UT NUMBERS SHOWN.  
See Back Cover for Model Designation Explanation Chart.

Printed in U.S.A.  
**PART NO. 19485-A**

Figure 1



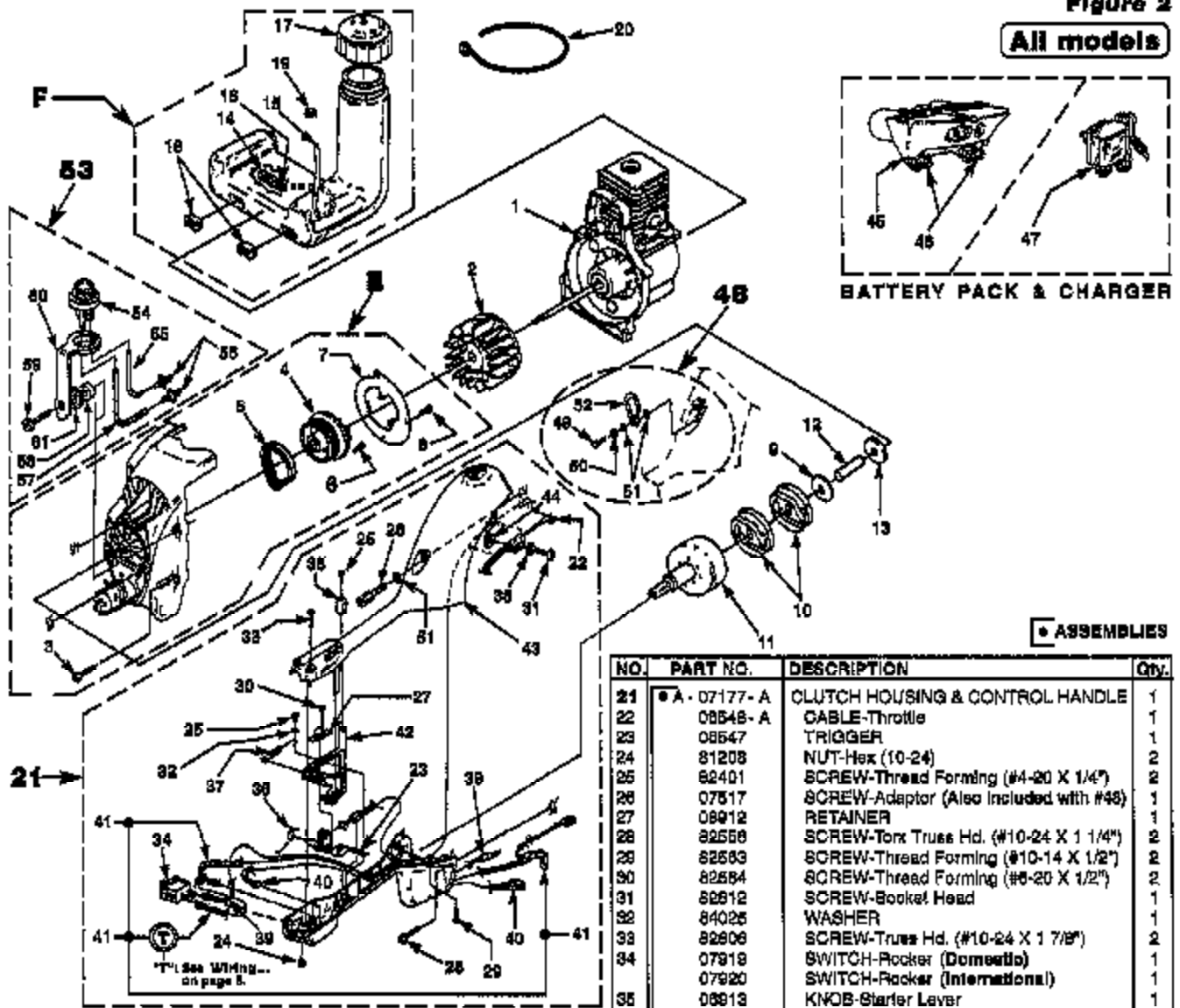
ASSEMBLIES

NO.	PART NO.	DESCRIPTION	Qty.
Q	A-07168	SHORT BLOCK (25CC)	1
1	06488	COMPRESSION RELEASE VALVE	1
2	A-07167	25CC CYLINDER KIT	1
3	04388-B	GASKET-Cylinder	1
4	07818	GASKET-Heat Dam (Also includes #'s 13 & 27)	1
5	89250	KEY-Woodruff	1
6	82809-1	SCREW-Thread Form. (10-24 X 7/8")	3
7	A-07314	25CC PISTON & ROD	1
8	99935	RING-Piston	1
9	07193	TERMINAL	1
10	06469	CLIP	1
A	A-07142	MUFFLER KIT	1
11	82599	SCREW-Machine (#10-24 X 2")	2
12	06502	SCREEN-Spark	1
13	99786-C	GASKET-Muffler (Also included with #2)	1
14	06501	COVER	1
15	82600	SCREW	3
16	08881	SCREW-Shoulder	2
17	06445	HEAT DAM	1
18a	82649-1	SCREW-Taprite (10-24 X 1")	2
18b	82614	SCREW-Taprite (10-32 X 1") (UT-20516-A, UT-20516-A and UT-20534-A only)	2

NO.	PART NO.	DESCRIPTION	Qty.
B	A-07168	CARBURETOR KIT	1
19	99768-1	GASKET-Carburetor	1
D	A-07171	AIR FILTER BODY	1
20	06720	SPACER	2
21	06484	BODY	1
22	A-06480	BLADE RET. MAGNET	1
23	06483	COVER-Air Filter	1
24	D-06485	FILTER-Air	1
25	61208	NUT-Hex (10-24)	2
26	A-07138	CRANKCASE COVER	1
27	06848-A	GASKET-Crankcase Cover (Also included with #2)	1
28	82563	SCREW-Flange (#10 X 3/4")	3
29	82548	SCREW-Taprite (10-24 X 1")	4
C	A-07174	IGNITION KIT	1
30	06504-A	MODULE-Ignition	1
31	99169-S	SPARK PLUG	1
32	A-33055	TERMINAL & COVER	1
33	82540	SCREW-Taprite (8-32 X 1")	2
34	A-07186	LEAD- Electroal	1
35	A-06477	BLADE & SHAFT ASSEMBLY	1
36	A-07172	BELLCRANK	1
37	A-07173	CHOKE ACTUATOR	1
38	94772-12	TUBING-Rubber (3")	1

Figure 2

All models



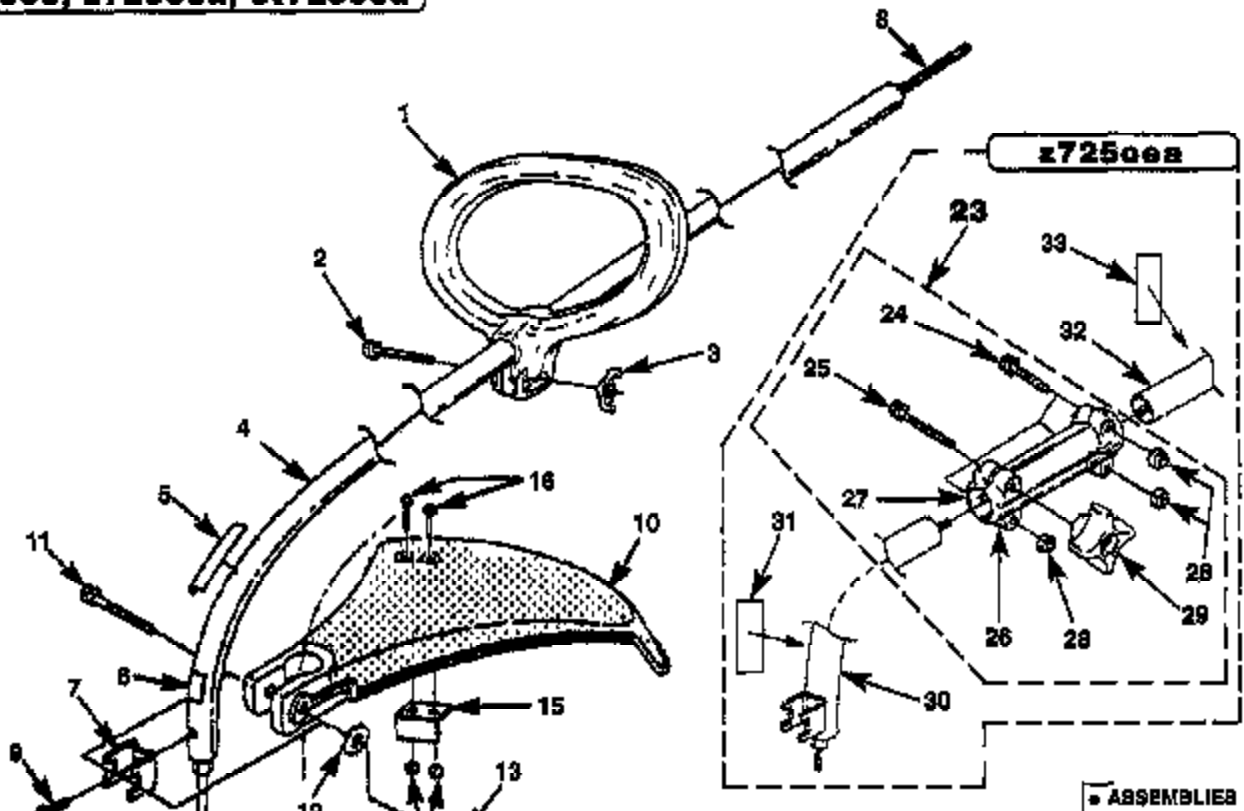
ASSEMBLIES

NO.	PART NO.	DESCRIPTION	Qty.
21	A-07177-A	CLUTCH HOUSING & CONTROL HANDLE	1
22	08548-A	CABLE-Throttle	1
23	08547	TRIGGER	1
24	81208	NUT-Hex (10-24)	2
25	82401	SCREW-Thread Forming (#4-20 X 1/4")	2
26	07517	SCREW-Adaptor (Also included with #48)	1
27	08912	RETAINER	1
28	82558	SCREW-Torx Truss Hd. (#10-24 X 1 1/4")	2
29	82583	SCREW-Thread Forming (#10-14 X 1/2")	2
30	82584	SCREW-Thread Forming (#6-20 X 1/2")	2
31	82512	SCREW-Booklet Head	1
32	84025	WASHER	1
33	82606	SCREW-Truss Hd. (#10-24 X 1 7/8")	2
34	07919	SWITCH-Rocker (Domestic)	1
	07920	SWITCH-Rocker (International)	1
35	08913	KNOB-Starter Lever	1
36	07071	SPRING-Torsion	1
37	07075-A	SPRING-Extension	1
38	84103-1	WASHER-Flat	1
39	A-07190-A	LEAD-Electrical	1
40	A-06725	LEAD-Electrical	1
41	A-06724-B	LEAD-Electrical	1
42	A-07020-A	STARTER LEVER w / BAR	1
43	06538-1	CLUTCH HOUSING (Top)	1
44	81299	NUT-Tinnerman	1
45	DA-06865	BATTERY PACK	1
46	A-06971	KNOB-Battery Pack	2
47	D-06550	CHARGER-Battery Pack	1
48	A-07560	HANGER KIT (Also includes #28)	1
49	80848	SCREW	1
50	83048	WASHER-Lock	1
51	84003	WASHER	3
52	07519	HANGER	1
53	A-07927	START ASSIST BUTTON KIT	1
54	07916	BUTTON-Start Asslet	1
55	01439-08	LINE-Fuel (2.0") (6,0cm)	1
56	02087	FITTING-Fuel Line	2
57	01439-10	LINE-Fuel (2.5") (6,5cm)	1
58	07916	SPACER	1
59	82549	SCREW- (10-24 x 1.00")	1
60	07613	BRACKET	1
61	08216	WASHER-External Lock	1

NO.	PART NO.	DESCRIPTION	Qty.
1	*	SHORT BLOCK (Ref. Pg. 2 Items 1-10)	1
2	A-04158-1	ROTOR w / Starter Pawls	1
3	A-07168-A	COMPLETE STARTER ASSEMBLY	1
4	82538	SCREW-Thread Form. (10-24 X 3/4")	4
5	06593	PULLEY-Starter	1
6	06594	BELT-Starter	1
7	82840	SCREW-Thread Forming (8-32 X 1")	3
8	08723	BAFFLE	1
9	07183	SCREW-Platite (6-16 1/2")	1
10	98929-A	WASHER-Flat	1
11	00242	CLUTCH	2
12	A-03485-A	CONNECTOR & DRUM	1
13	03686-2A	SPACER	1
14	95479-A	WASHER	1
15	A-07170-A	FUEL TANK COMPLETE	1
16	84422	FILTER-Fuel	1
17	94772-20	TUBING-Rubber (5")	1
18	08288	CLAMP-Wire	1
19	DA-08488	FUEL CAP	1
20	98792	BUMPER-Rubber	4
	02067	FITTING-In Line Fuel	1
	07183	SUPPORT WIRE	1

Figure 3

**z725ce, z725cea, st725cea**

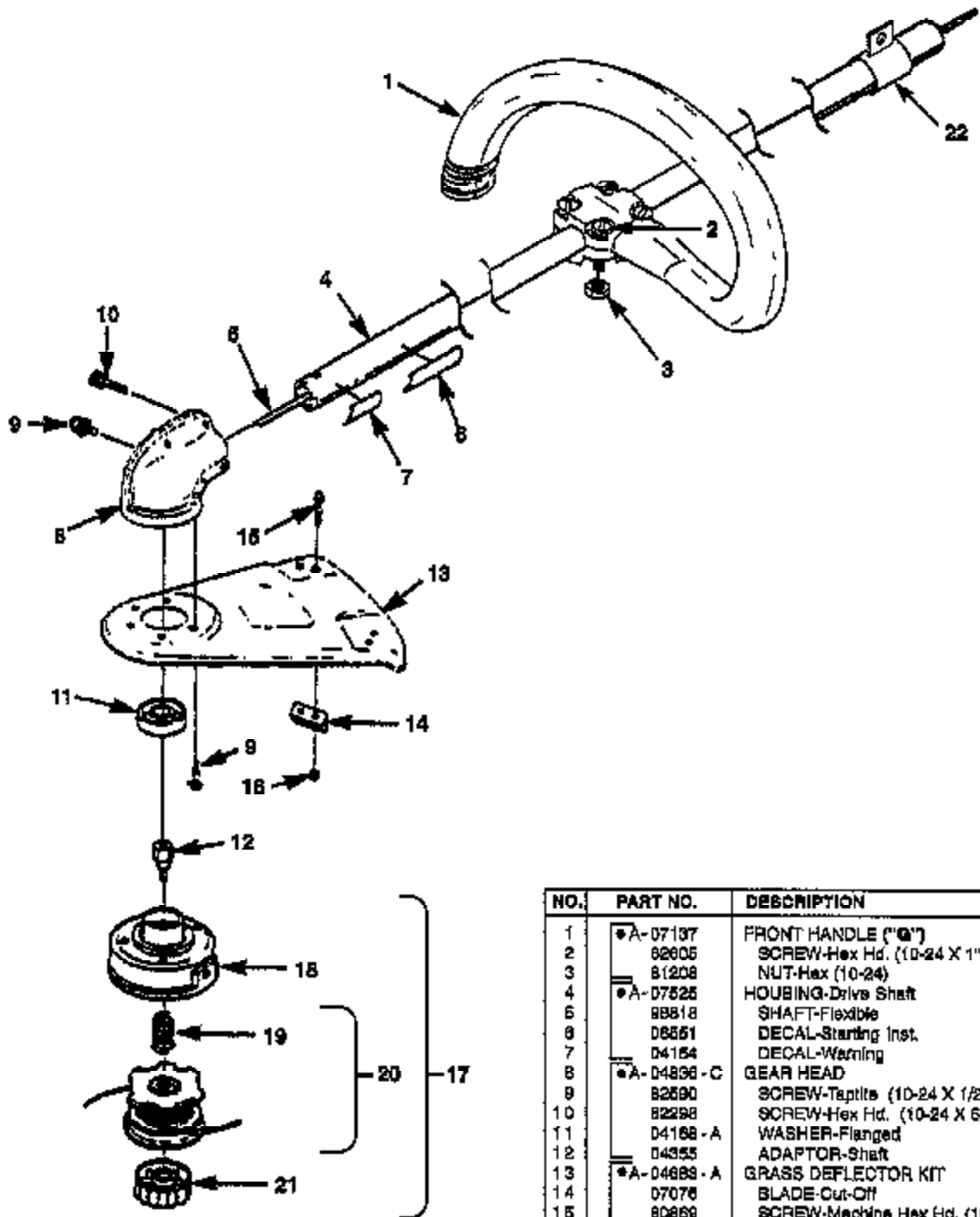


NO.	PART NO.	DESCRIPTION	Qty.
1	•A-07198	FRONT HANDLE ("D")	1
2	80295-1	SCREW-Cap Hex Hd. (10-24 X 2")	1
3	99992-1	NUT-Wing (10-24)	1
4	•A-07624	HOUSING-Drive Shaft	1
5	06551	DECAL-Starting Inst.	1
6	04154	DECAL-Warning	1
7	98853-A	CLAMP	1
8	07488	SHAFT-Flexible	1
9	89077	SCREW	1
10	•A-04705	DEFLECTOR & BLADE KIT (53 Degree)	1
11	80295	SCREW-Cap Hex Hd. (1/4-20 X 2")	1
12	84006	WASHER-Flat (1/4")	1
13	83009	WASHER-Lock (1/4")	1
14	99992	NUT-Wing (10-24)	1
15	•A-03832	BLADE-Cut-Off Kit	1
16	82581	SCREW-Mech. Hex Hd. (10-24 X 7/8")	2
17	81281	NUT-Hex (10-24)	2
18	•DA-03001-A	STRINGHEAD-Complete (.080" Line)	1
19	A-99231-A	HOUSING & EYELET (Dual Line)	1
20	06713	SPRING-Compression	1
21	DA-99912-E	SPOOL & STRING (.080" Line)	1
22	DA-99988-A	RETAINER-Spool (R.H. Thread, Black)	1

<b>z725cea, st725cea</b>			
23	•A-07901	COUPLER ASSEMBLY	1
24	82278-1	BOLT-Hex Hd.	3
25	80295	SCREW-Cap Hex (1/4-20 x 2")	1
26	GM-23811-1	SPLIT BOOM (L.H.)	1
27	GM-23811-2	SPLIT BOOM (R.H.)	1
28	81287	NUT-Hex (1/4-20)	3
29	GM-28820-4	KNOB	1
30	•A-07909	DRIVE SHAFT HOUSING-Curved (Lower)	1
31	04154	DECAL-Warning (Also Includes #7 & #8)	1
32	•A-07902	DRIVE SHAFT HOUSING-Curved (Upper)	1
33	04458	DECAL-Start Instructions	1

Figure 4

**z725ce, s825cev**

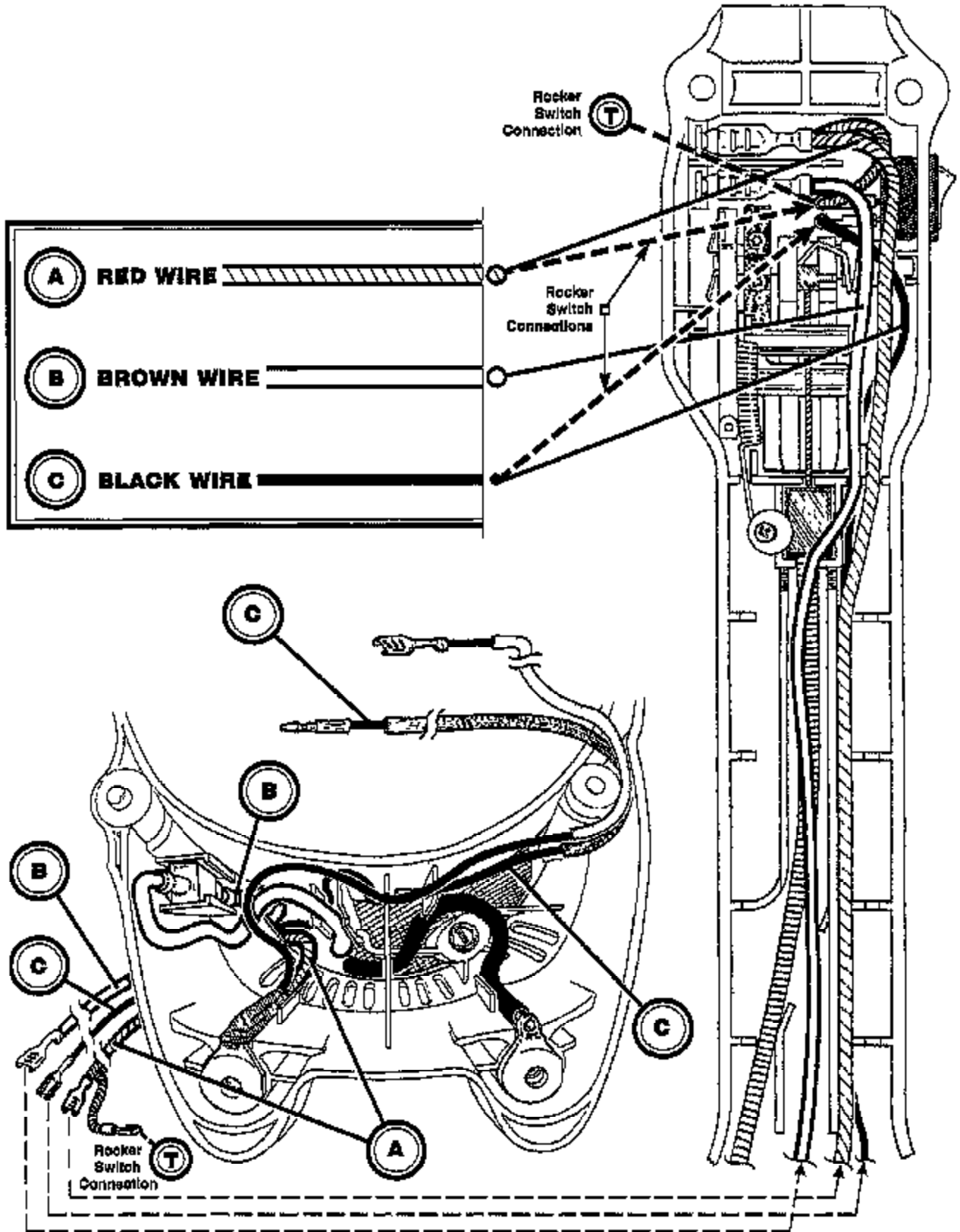


• ASSEMBLIES

NO.	PART NO.	DESCRIPTION	Qty.
1	•A-07137	FRONT HANDLE ("G")	1
2	92605	SCREW-Hex Hd. (10-24 X 1")	4
3	81208	NUT-Hex (10-24)	4
4	•A-07525	HOUSING-Drive Shaft	1
6	98818	SHAFT-Flexible	1
8	06551	DECAL-Starting Inst.	1
7	04154	DECAL-Warning	1
8	•A-04836-C	GEAR HEAD	1
9	82590	SCREW-TapLite (10-24 X 1/2")	5
10	82298	SCREW-Hex Hd. (10-24 X 5/8")	2
11	04158-A	WASHER-Flanged	1
12	04355	ADAPTOR-Shaft	1
13	•A-04688-A	GRASS DEFLECTOR KIT	1
14	07076	BLADE-Cut-Off	1
15	90899	SCREW-Machine Hex Hd. (10-24 X 3/8")	2
16	81208	NUT-Hex (10-24)	2
17	•DA-03001	STRINGHEAD COMPLETE (080' Line)	1
18	A-88231-A	HOUSING & EYELET (Dual Line)	1
19	98848	SPRING-Compression	1
20	DA-88812-D	SPOOL & STRING (.080' Line)	1
21	DA-88866-A	RETAINER-Spool (R.H. Thread, Black)	1
22	07255	HANGER	1

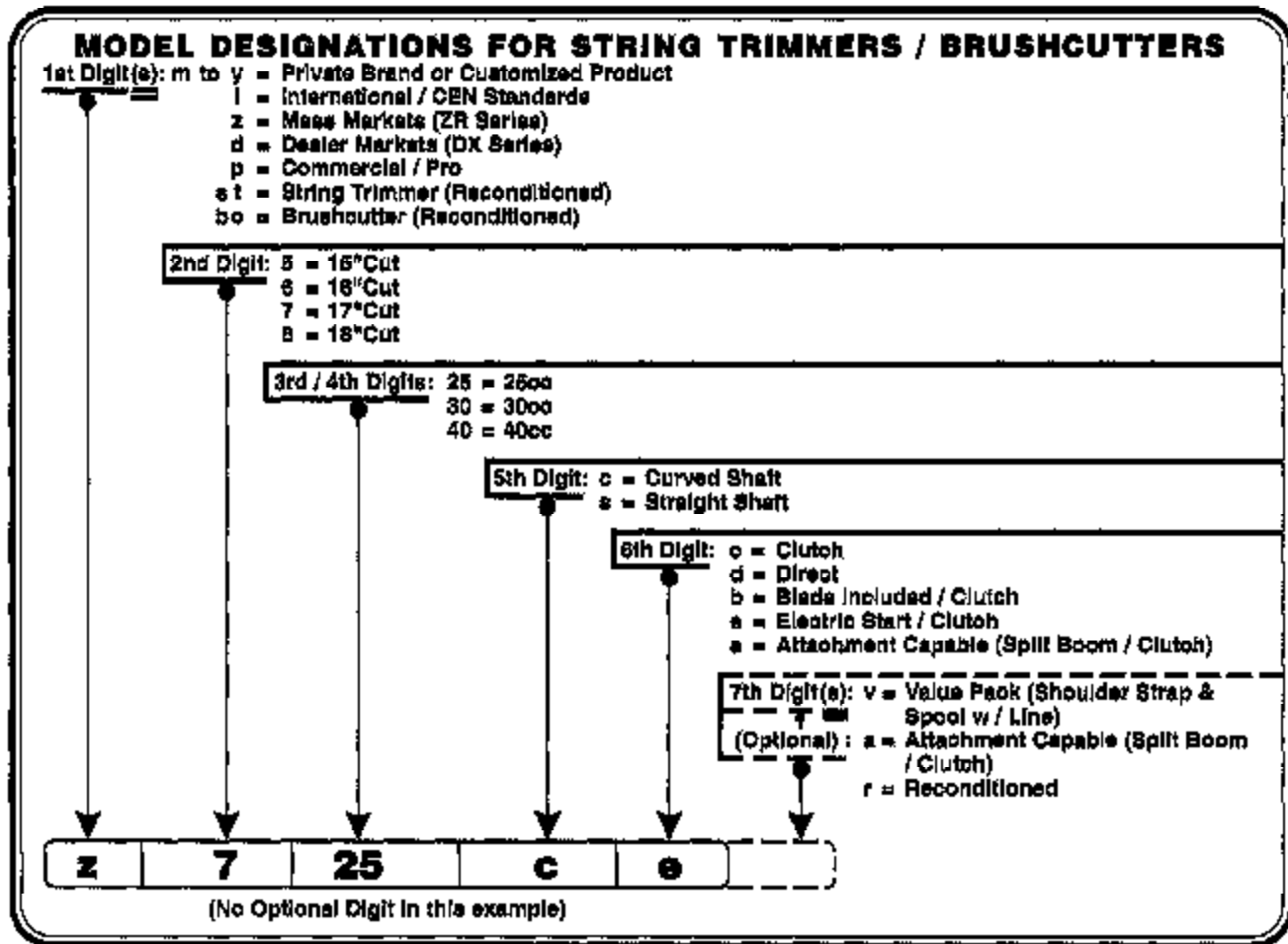
Figure 5

**All models / Wiring in Clutch Housing**



**NOTES**

Lined area for notes, consisting of multiple horizontal lines within a rounded rectangular border.



**CUSTOMER ASSISTANCE**  
 FOR THE LOCATION OF YOUR NEAREST HOMELITE SERVICING DEALER  
 IN THE UNITED STATES, PUERTO RICO, AND THE VIRGIN ISLANDS,  
**CALL: 1-800-242-4672**

**HEADQUARTERS**  
**Homelite, Inc.**  
 P.O. BOX 7047  
 CHARLOTTE, N.C. 28241

OVERSEAS OFFICES		CANADIAN OFFICES
<p><b>NETHERLANDS</b>                      Homelite Netherlands B.V.                      A Deere &amp; Company Affiliate                      Haverstraat 24                      3153 GB Nieuwe Vennep                      The Netherlands</p>	<p><b>FRANCE</b>                      Homelite Atlantik SARL                      Groupe Deere &amp; Co.                      BP 7011                      93050 Cergy Pontoise Cedex                      France</p>	<p><b>Homelite Canada Limited</b>  <b>Homelite Canada Limitée</b>                      A Deere &amp; Company Affiliate /                      Une Filiale de Deere &amp; Company                      1880-608th Avenue                      Lachine, Québec, Canada H3T 3J5                      1-800-363-6718</p>
<p><b>AUSTRALIA</b>                      Homelite Pacific Ltd.                      A Deere &amp; Company Affiliate                      ACN 006 683 636                      94 Rushdale Street                      P. O. Box 555 MGA                      Knowfield Vic 3180                      Australia</p>		<p>UNIT 212-214, 890 Ebury Place                      Near Westminster, S.C. V3M 5K7                      1-800-897-9128</p> <p>80-D Voyager Court South                      Etobicoke, Ontario M9W 5M7                      1-800-669-2249</p>

**Homelite** inc  
 A Subsidiary of Deere & Company

05911