

CS2141

CS2145

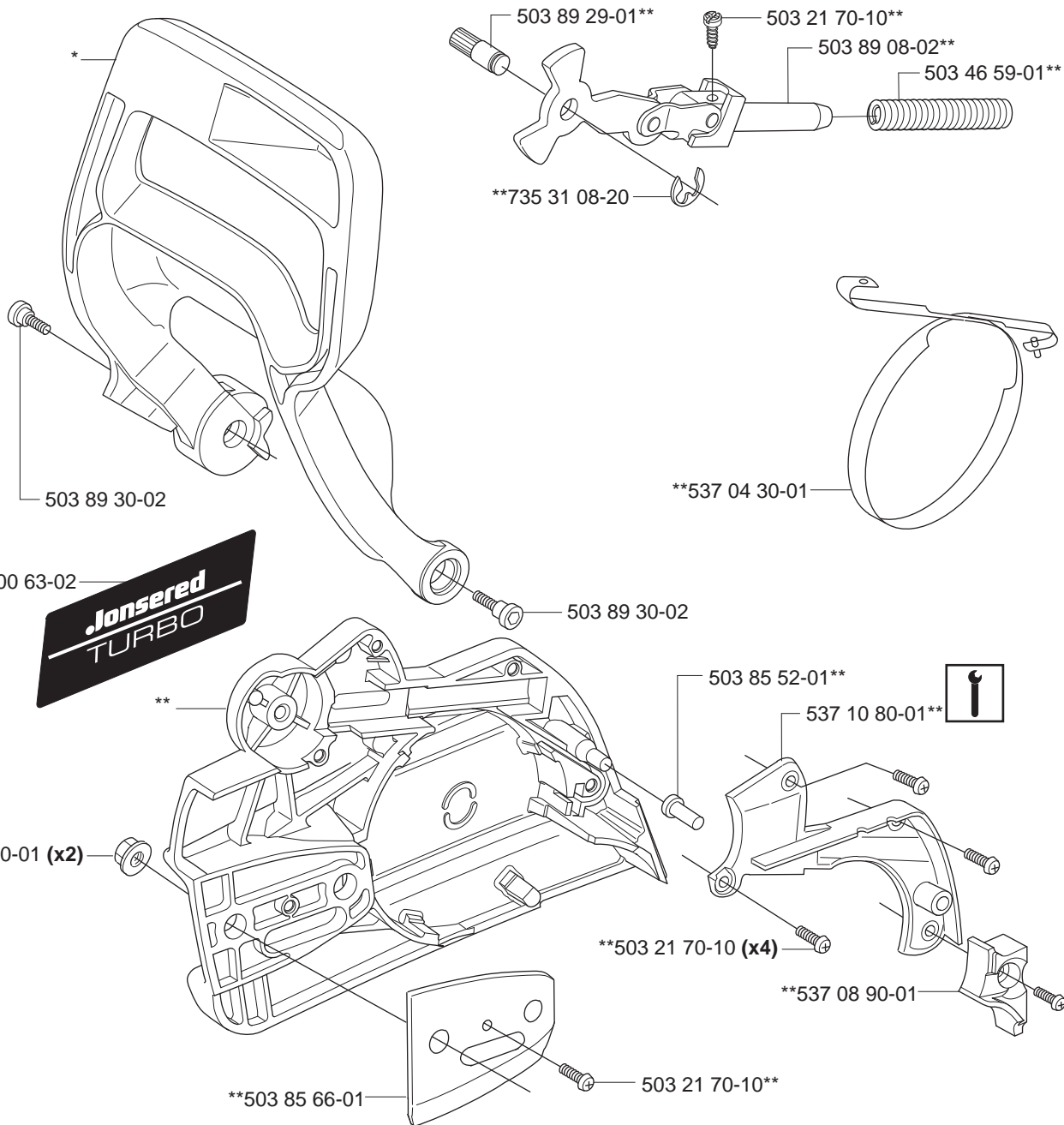
CS2150

Spare parts
Ersatzteile
Pièces détachées
Reserve onderdelen
Repuestos
Reservdelar

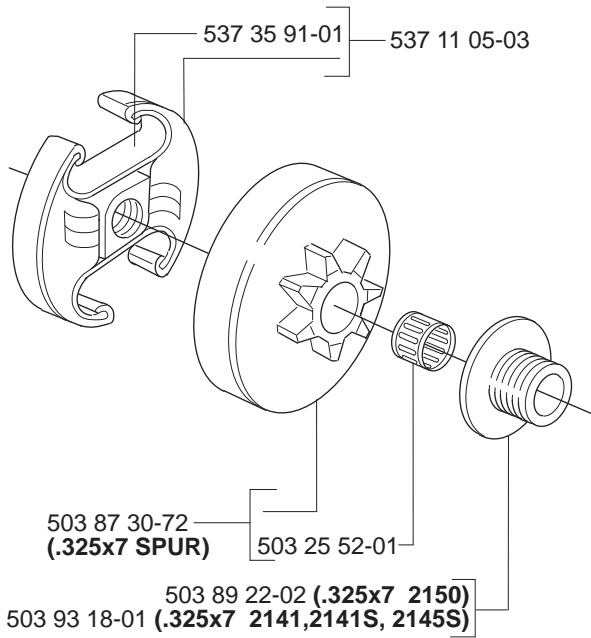
A

*compl 537 01 21-02

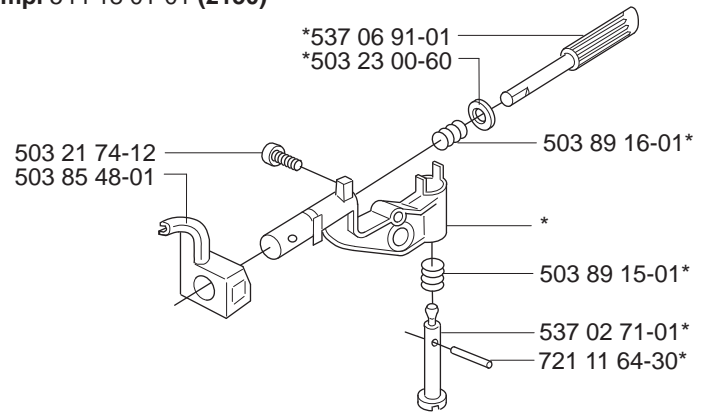
**compl 537 10 79-01



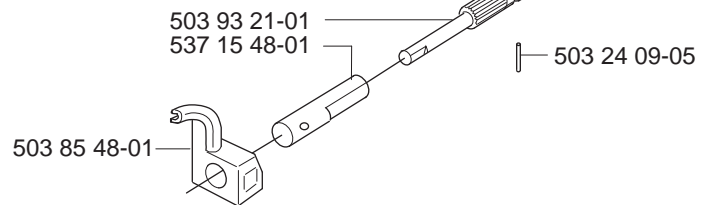
B



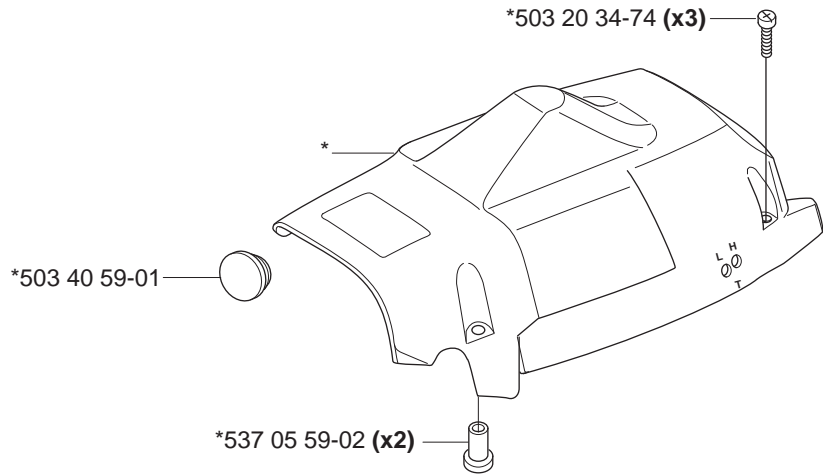
***compl 544 18 01-01 (2150)**



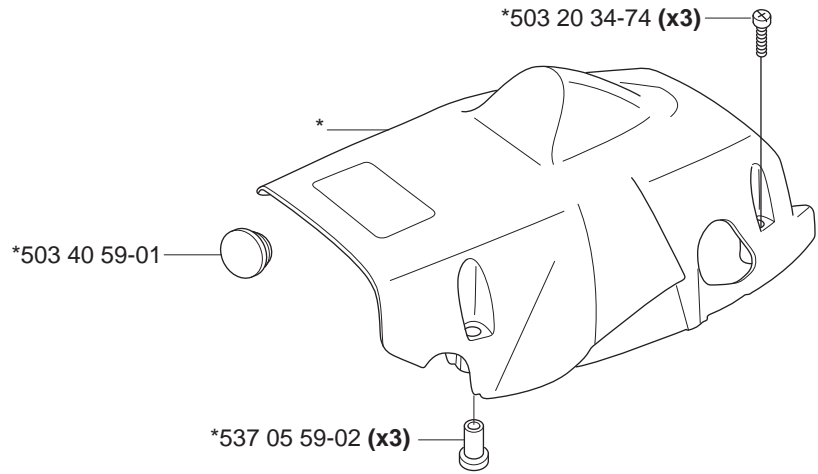
2141, 2145S, 2141S



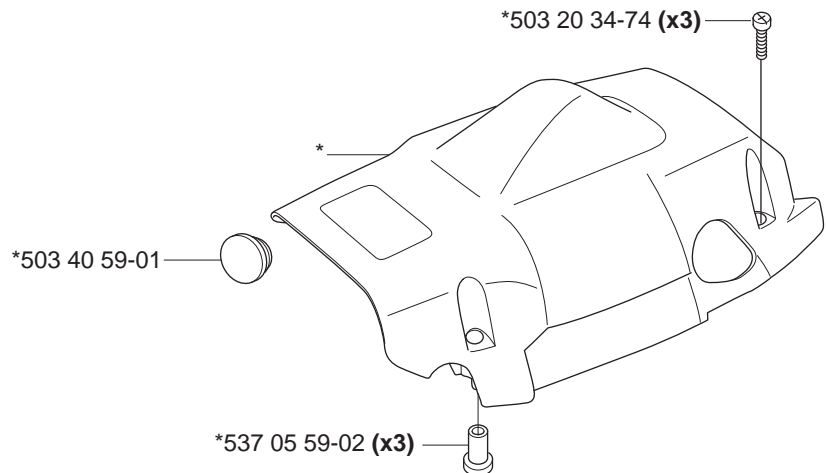
C *compl 537 01 14-03 (CS 2141)



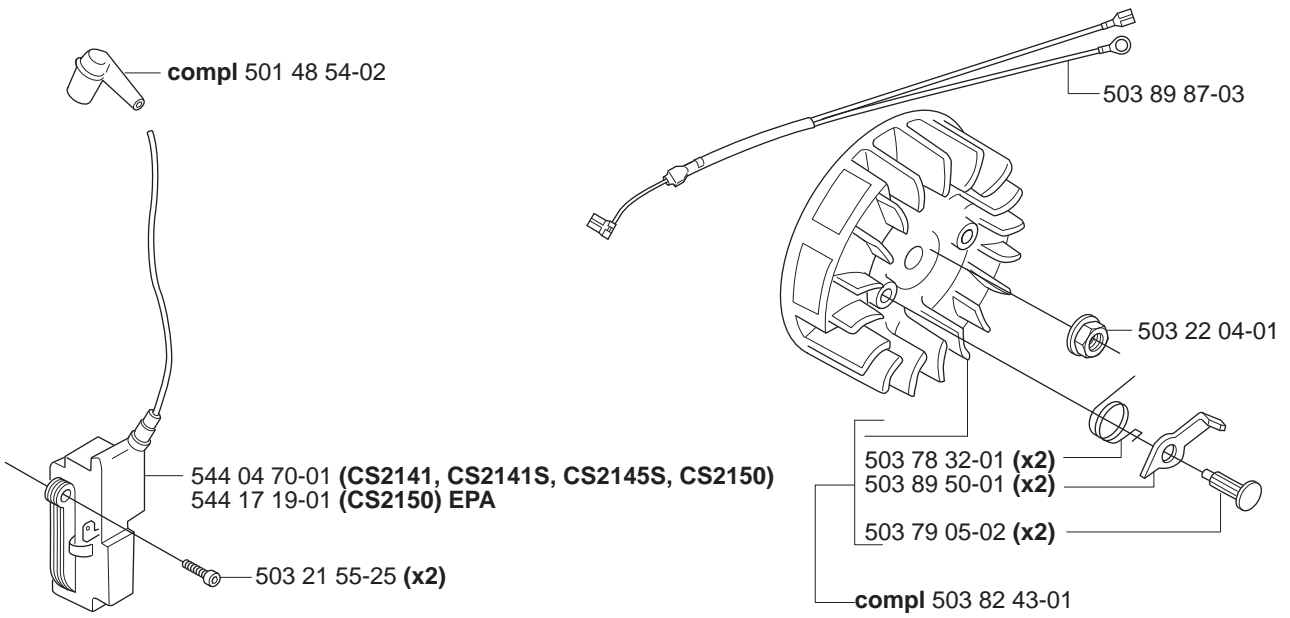
C *compl 544 34 33-01 (CS 2141S, CS 2145S)



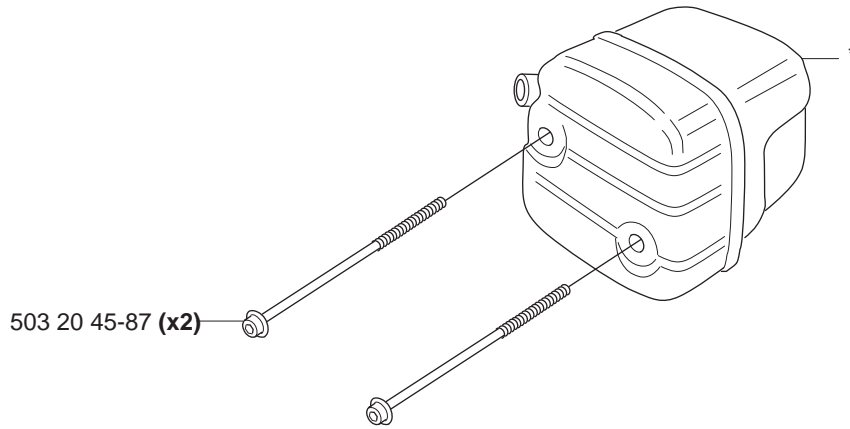
C *compl 544 34 34-01 (CS 2150)



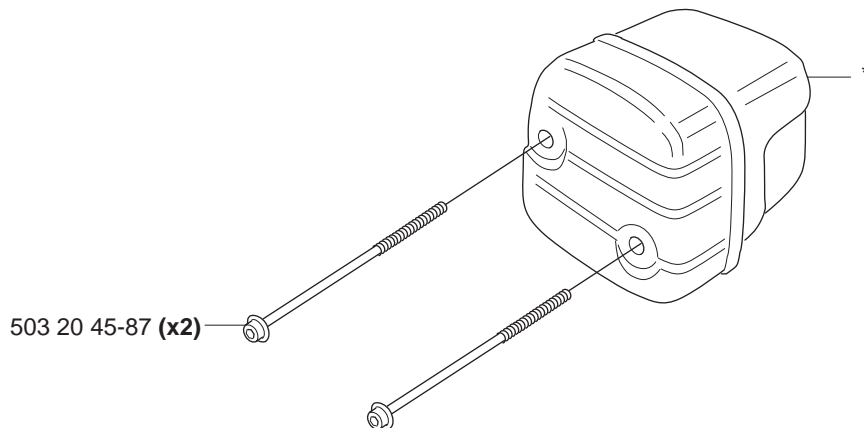
D



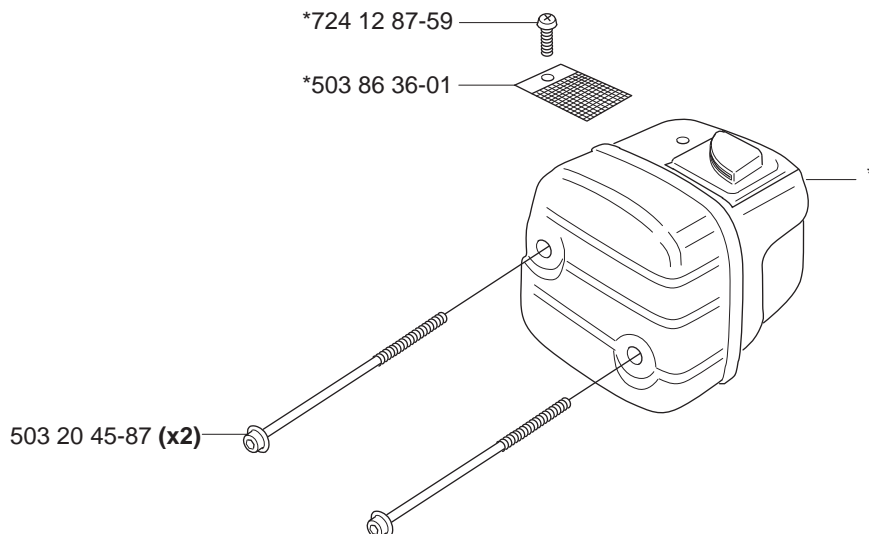
E *compl 503 86 27-03 (EU) CS 2150



E *compl 503 87 96-02 (FG) CS 2141, 2141S, 2145S

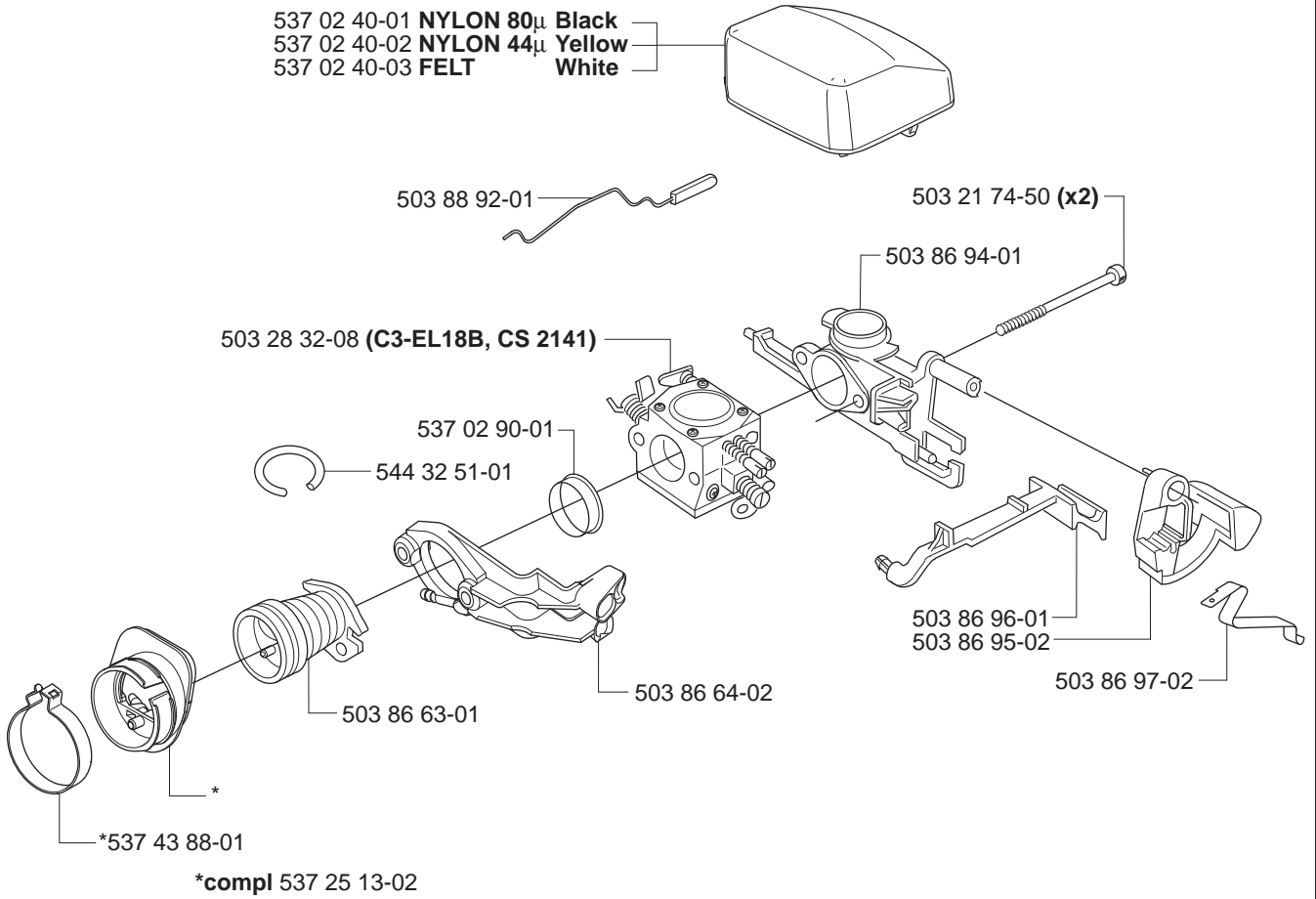


E *compl 503 86 28-03 (DF)CS 2141, 2141S, 2145S, 2150



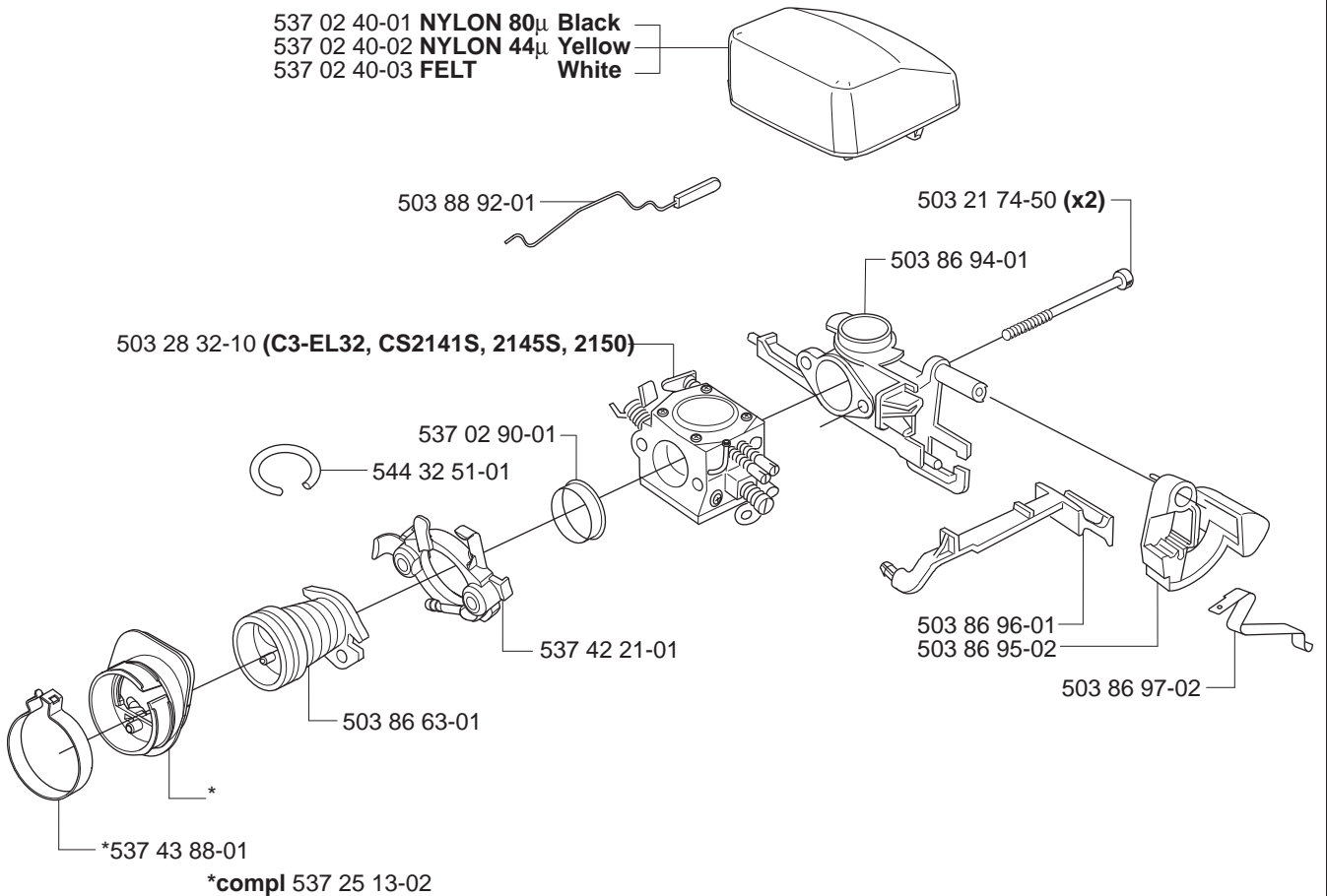
F CS 2141

537 02 40-01 **NYLON 80 μ Black**
 537 02 40-02 **NYLON 44 μ Yellow**
 537 02 40-03 **FELT White**



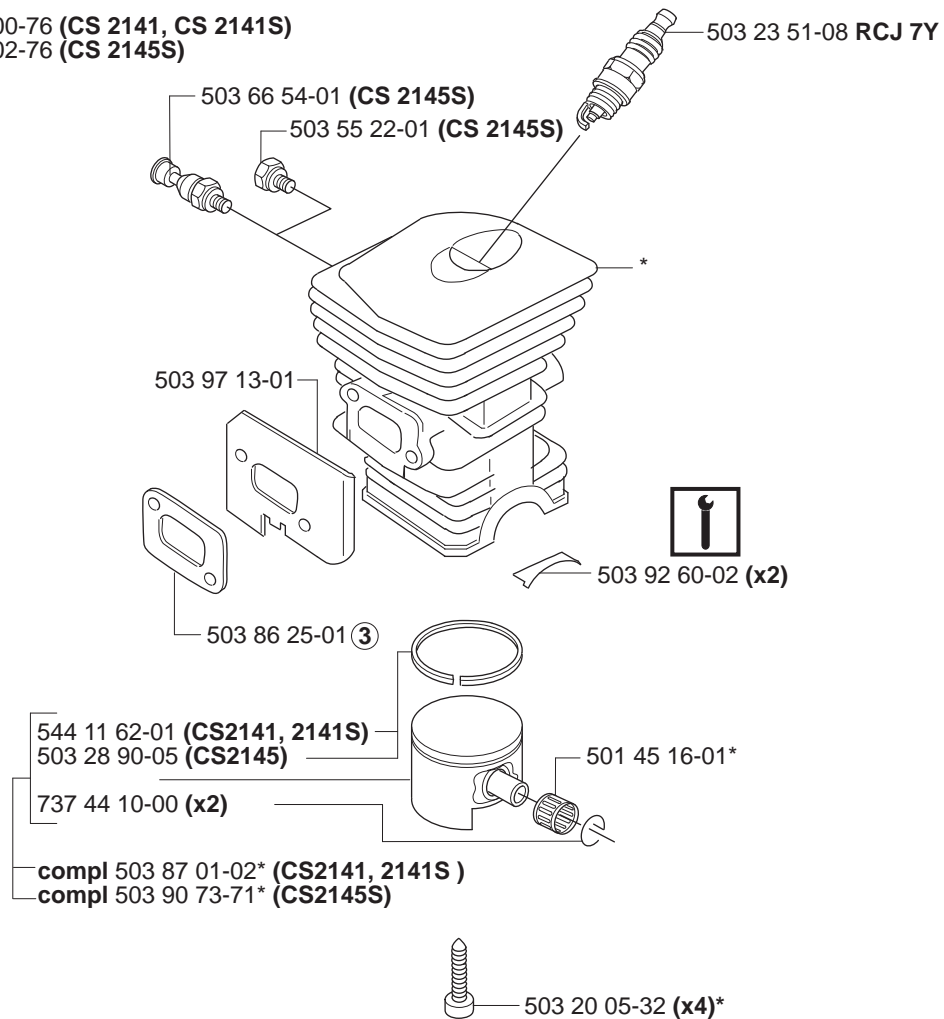
F CS 2141S, CS 2145S, CS 2150

537 02 40-01 **NYLON 80 μ Black**
 537 02 40-02 **NYLON 44 μ Yellow**
 537 02 40-03 **FELT White**

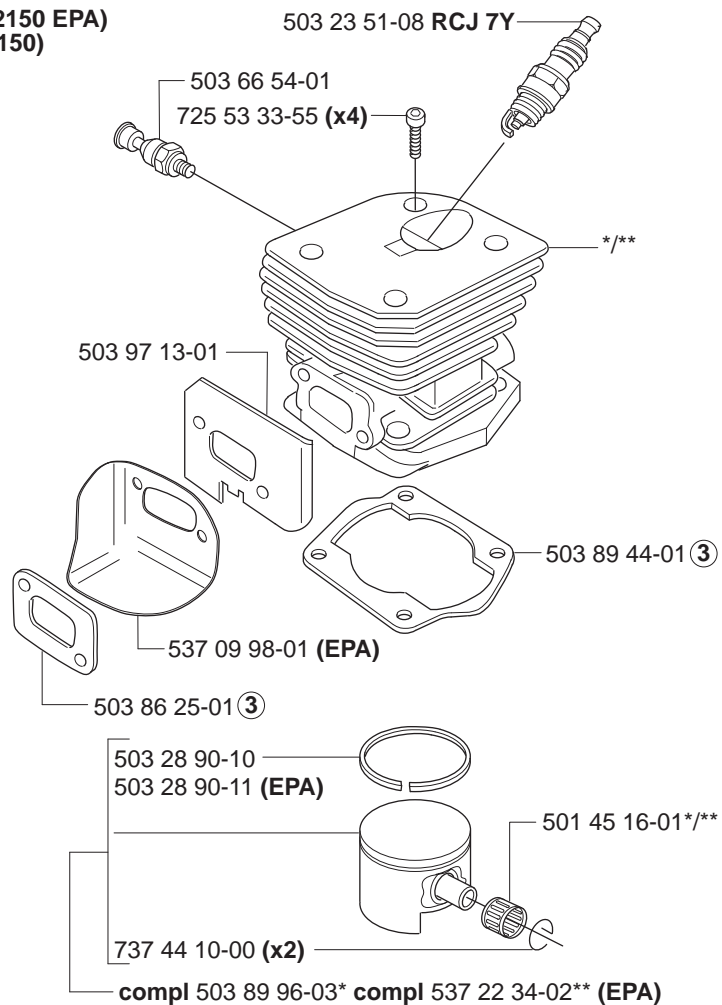


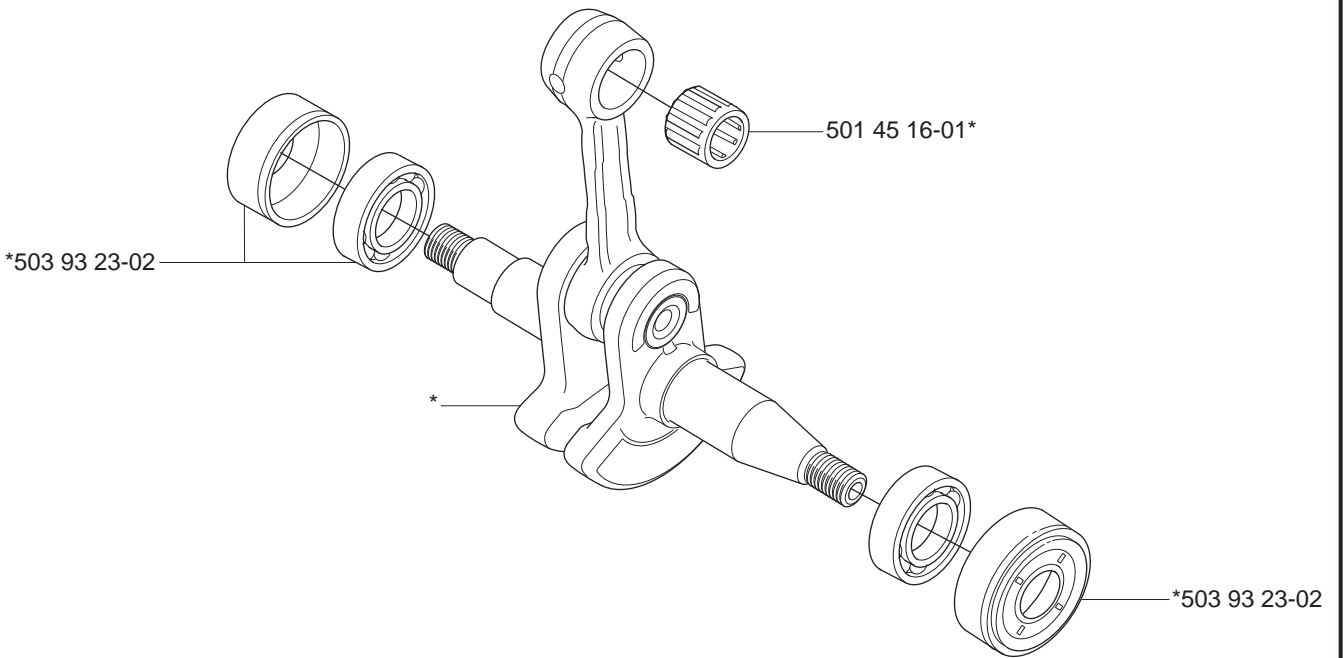
G

*compl 503 87 00-76 (CS 2141, CS 2141S)
 *compl 503 87 02-76 (CS 2145S)

**G**

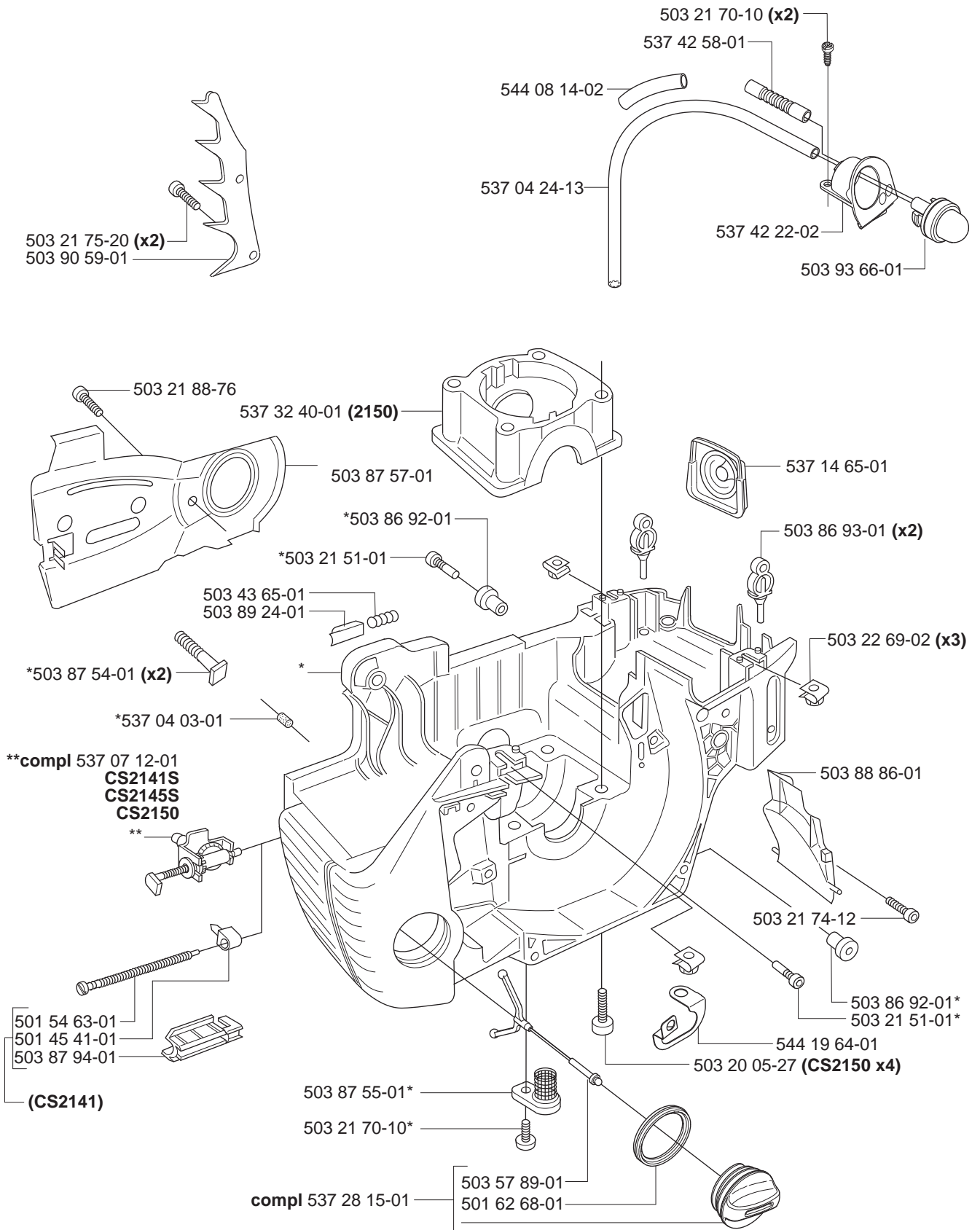
**compl 537 25 30-02 (CS2150 EPA)
 *compl 503 86 99-71 (CS2150)

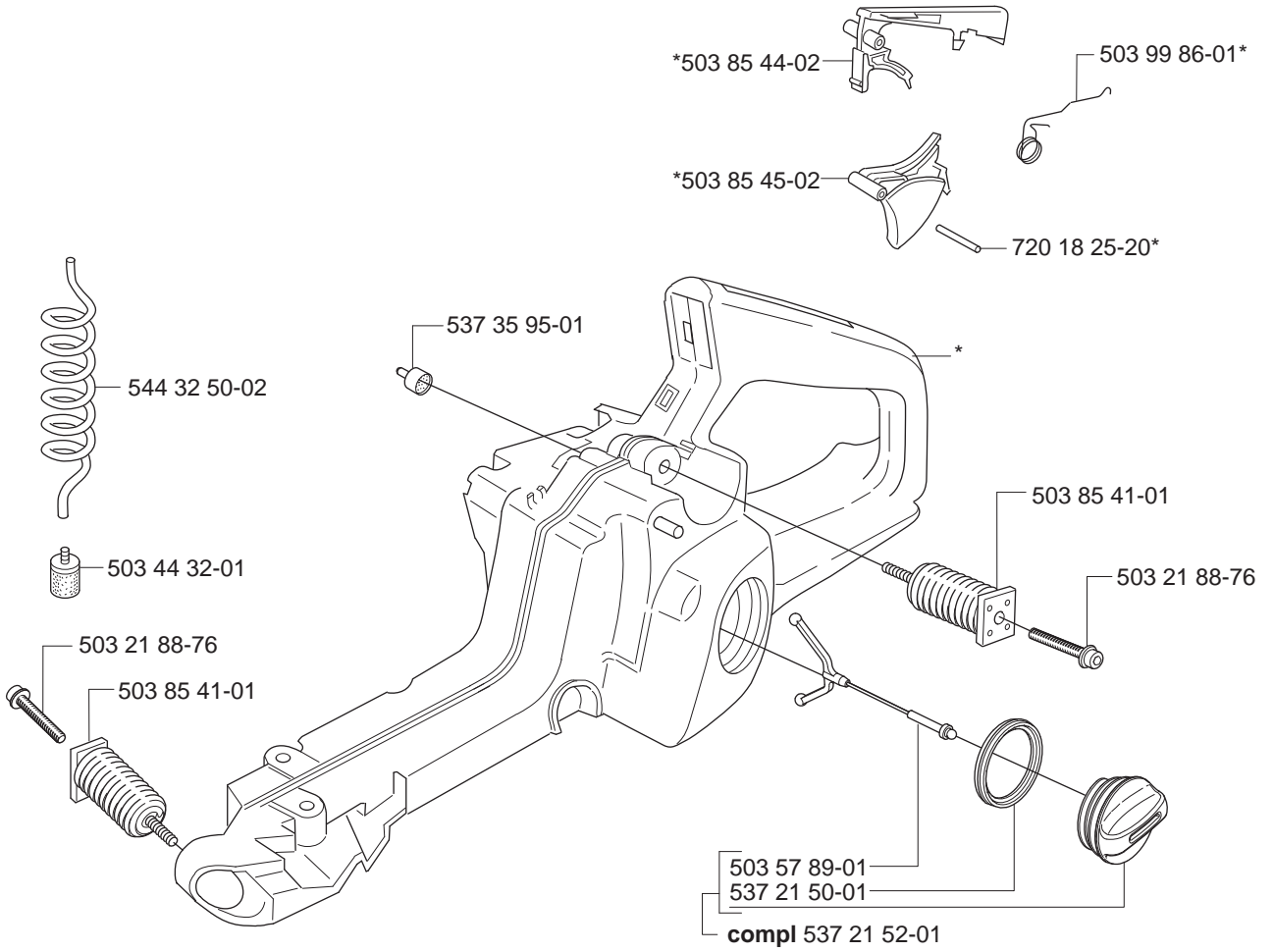




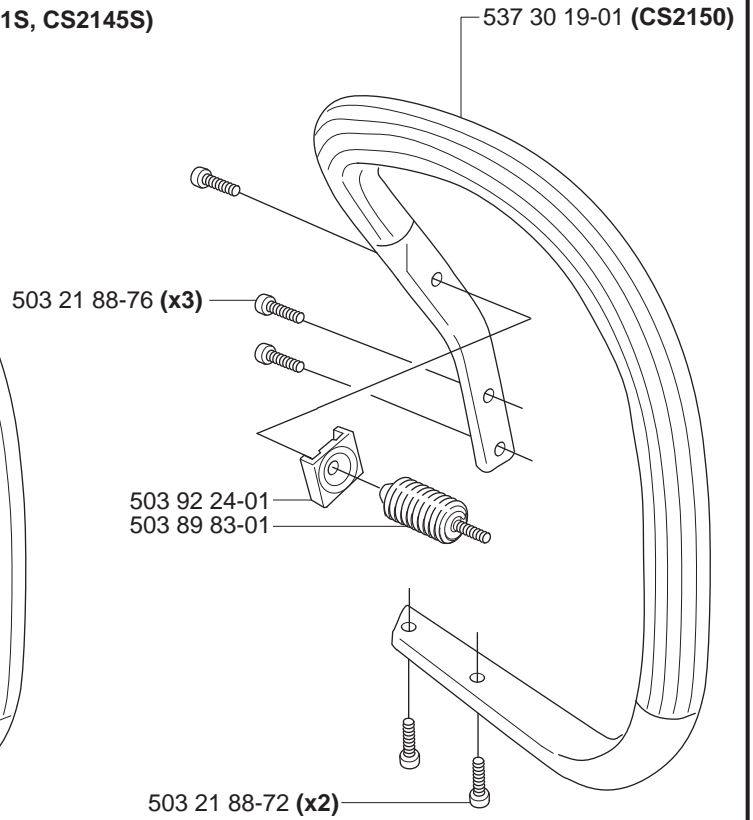
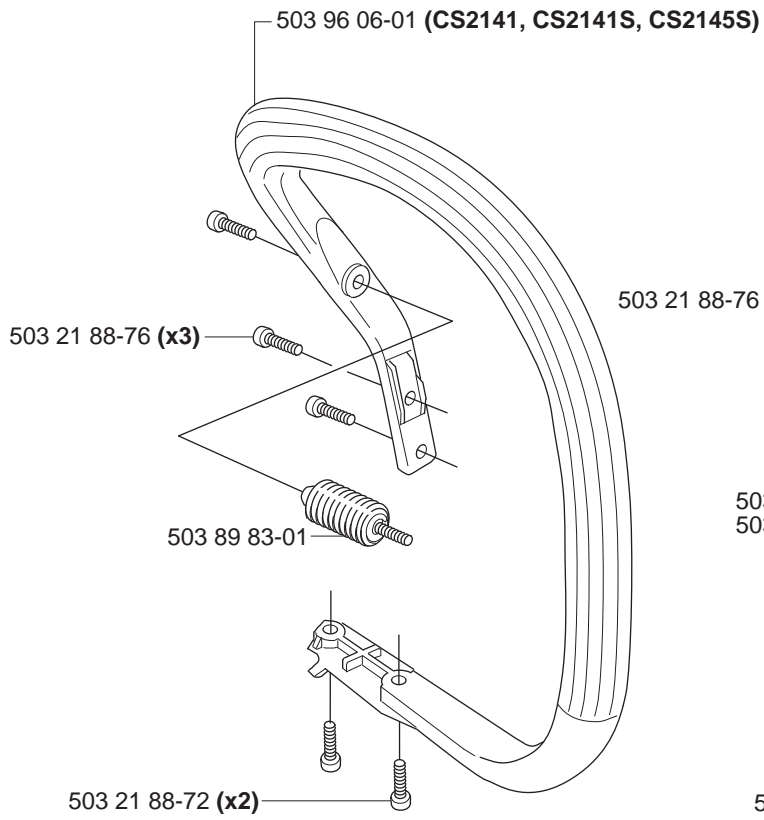
J

*compl 537 17 20-04

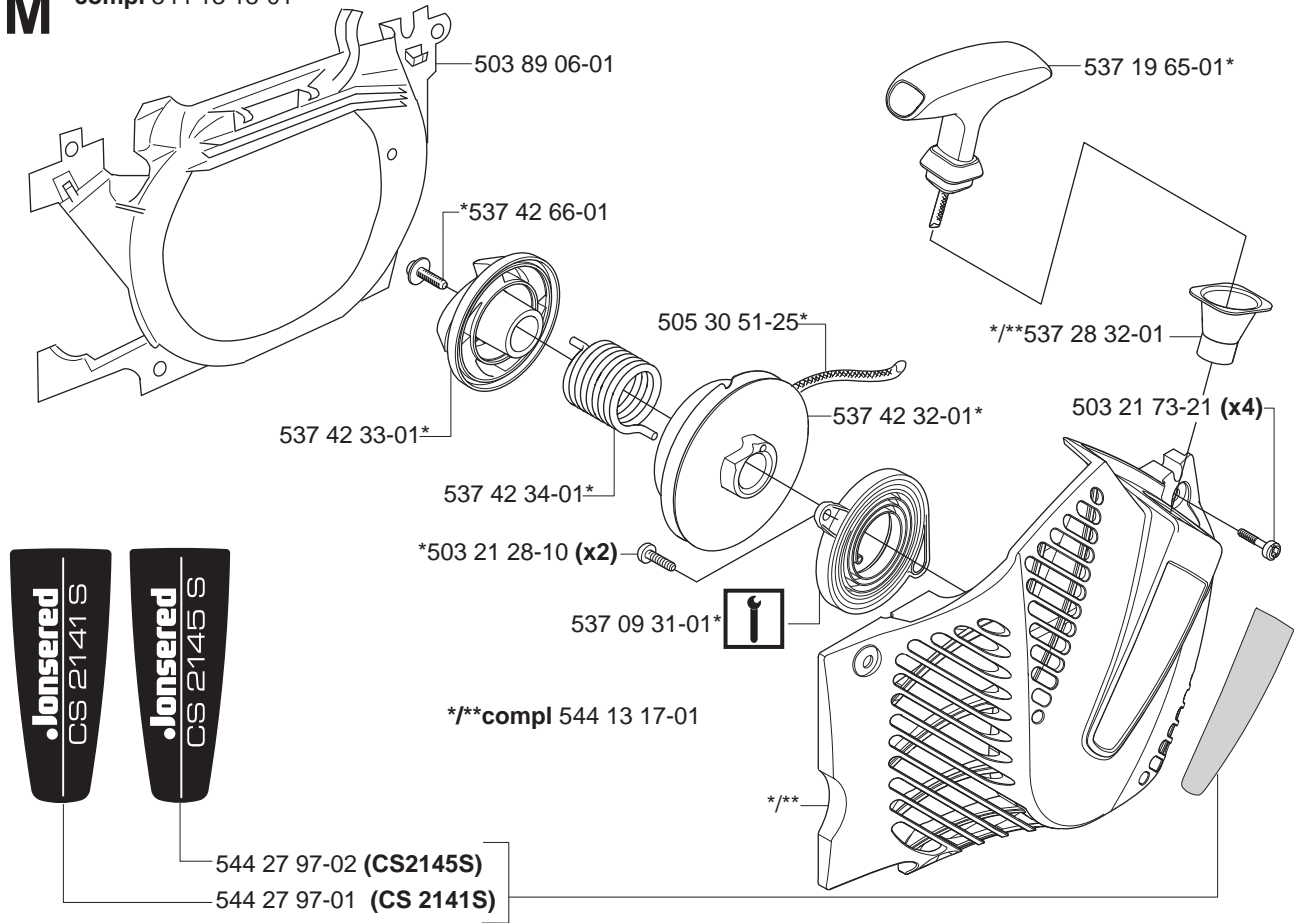




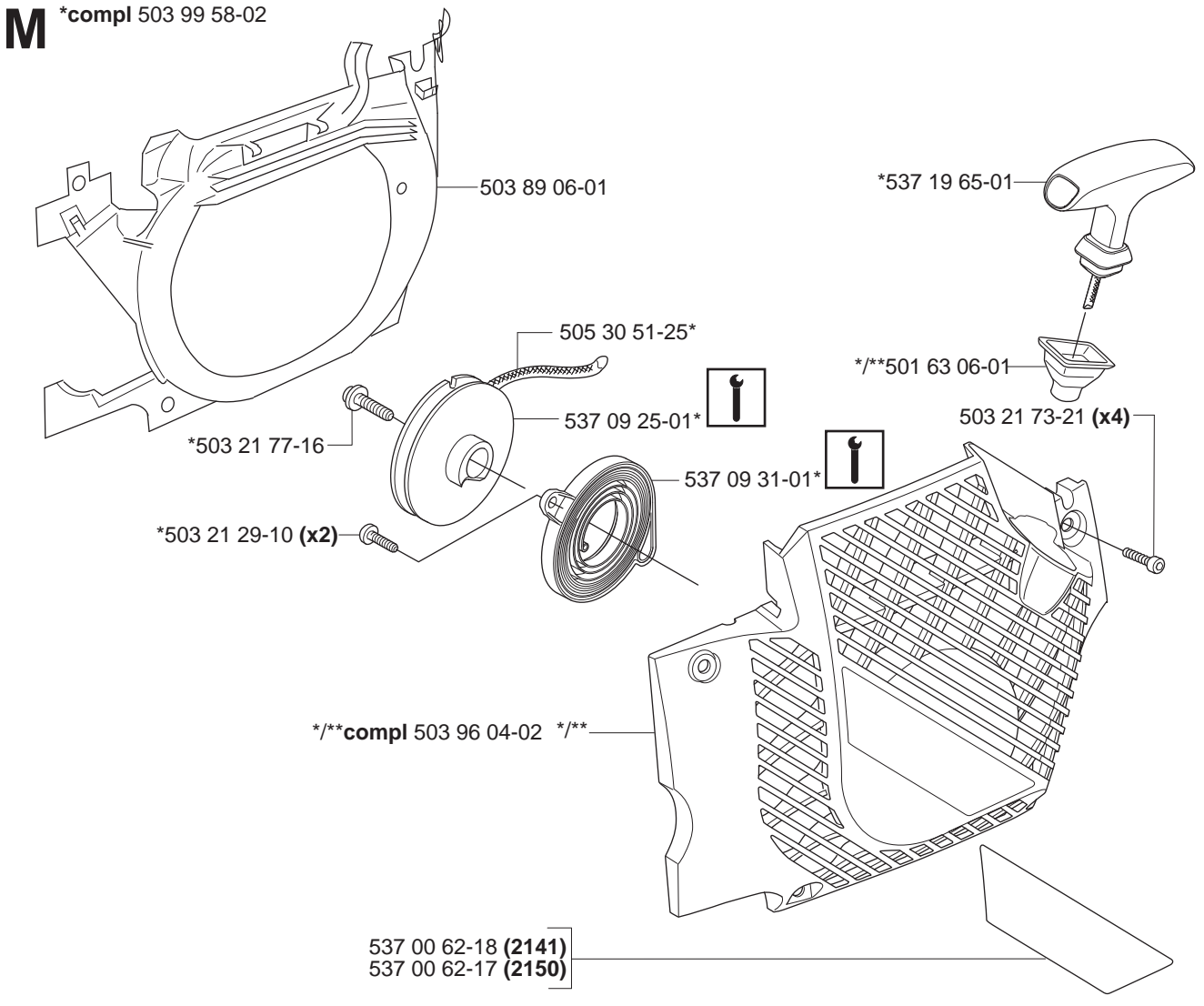
L



M *compl 544 13 18-01

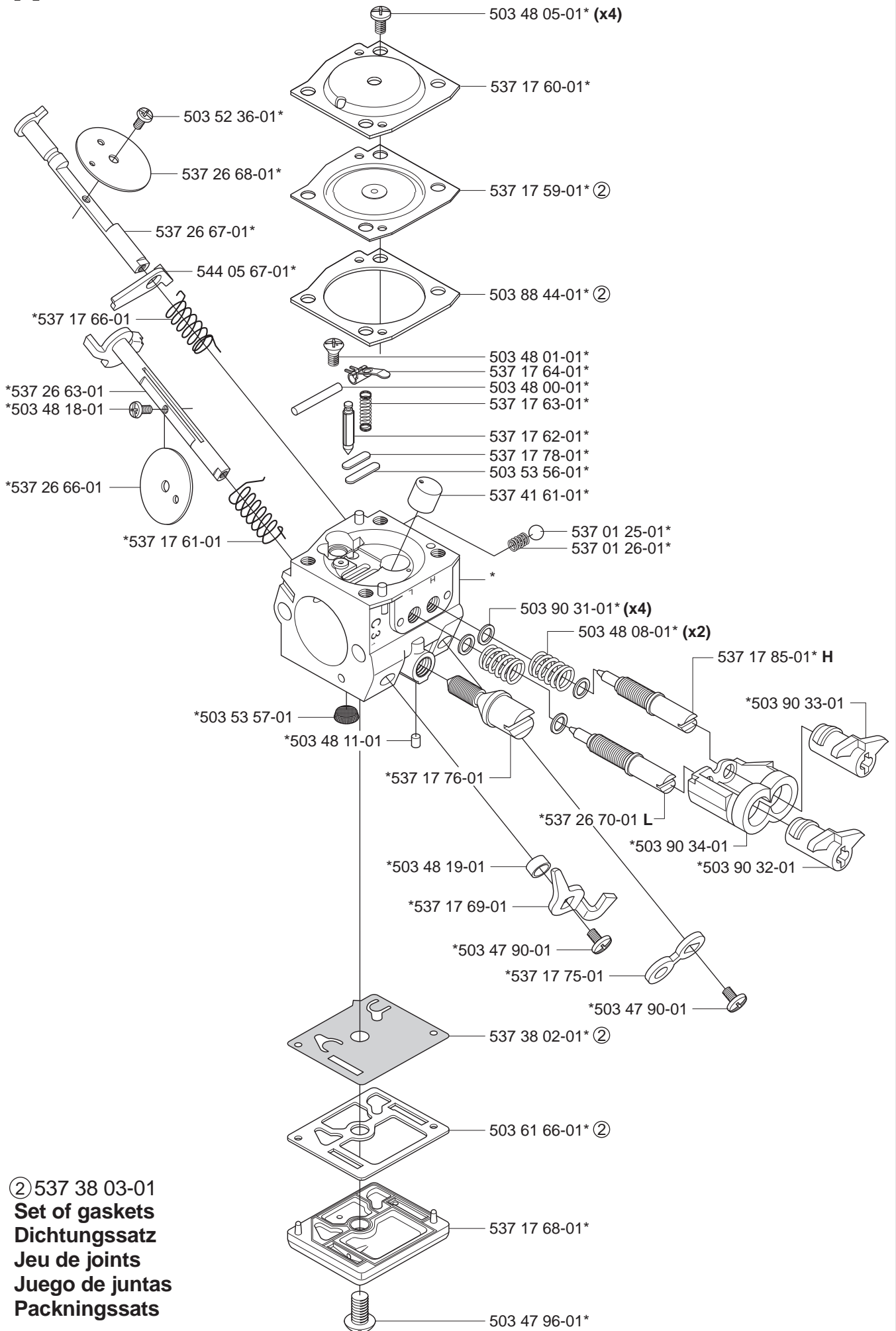


M *compl 503 99 58-02



N

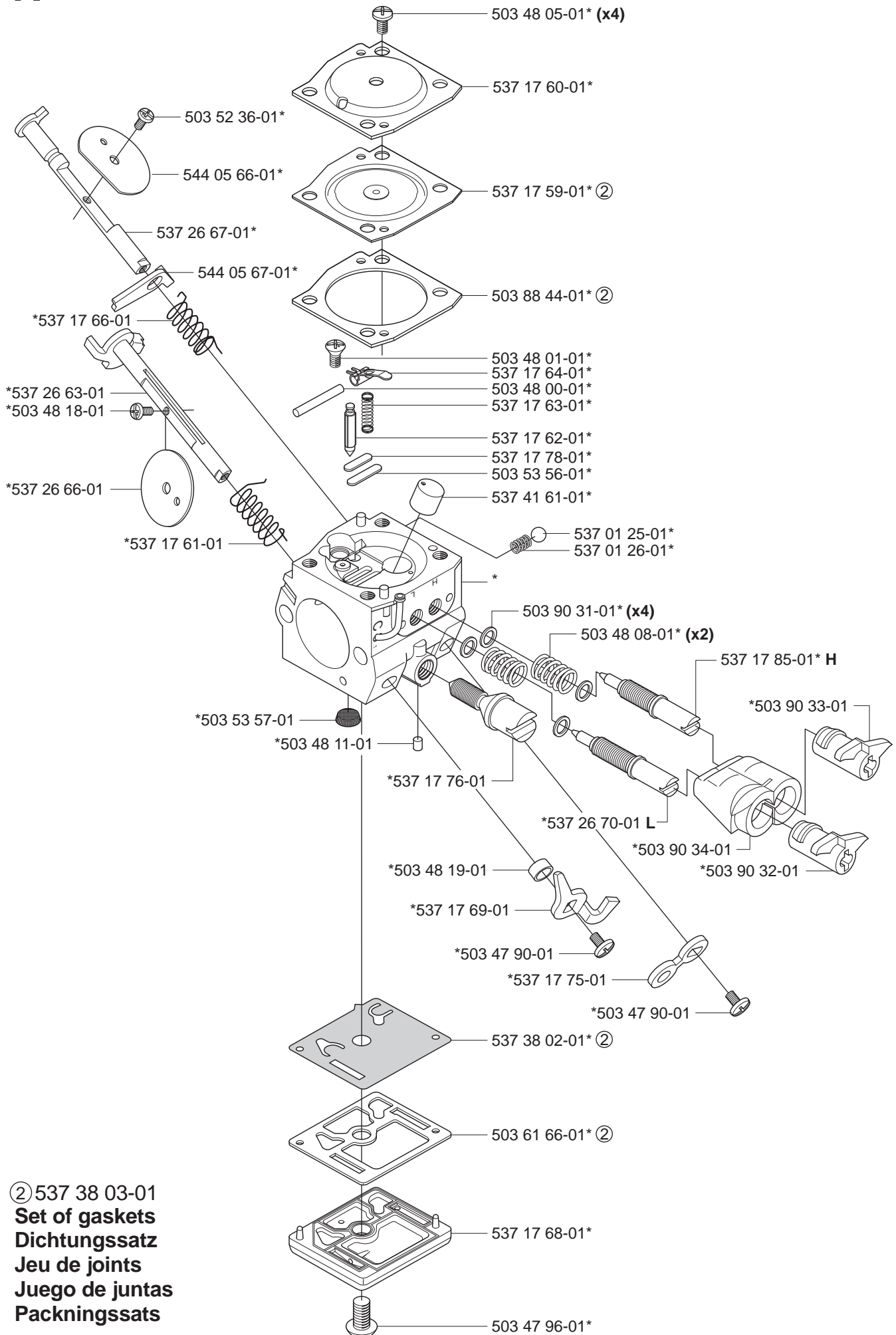
*compl 503 28 32-08 ZAMA C3-EL18B (CS2141)

ZAMA C3-EL18B

② 537 38 03-01
Set of gaskets
Dichtungssatz
Jeu de joints
Juego de juntas
Packningssats

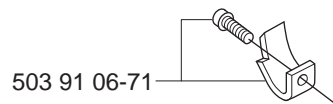
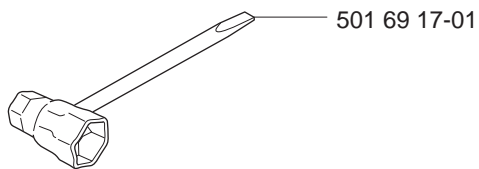
N

*compl 503 28 32-08 ZAMA C3-EL32 (CS2141S, CS2145S, CS2150)

ZAMA C3-EL32

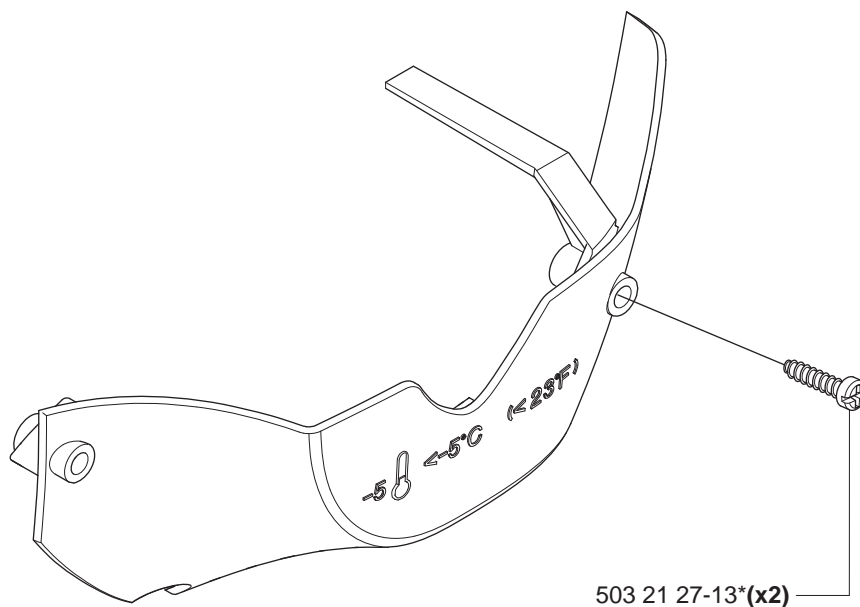
② 537 38 03-01
Set of gaskets
Dichtungssatz
Jeu de joints
Juego de juntas
Packningssats

P Tillbehör
Accessories
Zubehöre
Accessoires
Accesorios



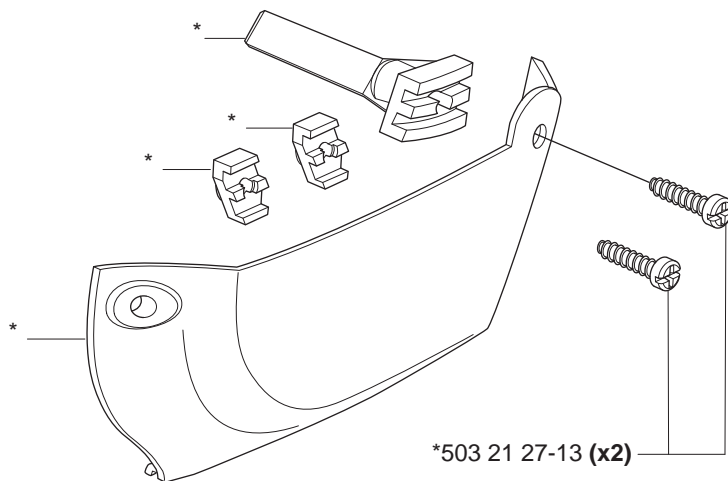
Winter kit

*compl 544 34 44-01 (CS2141S, CS2145S)



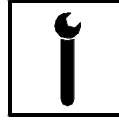
Winter kit

*compl 537 16 25-01 (CS2141, CS2150)

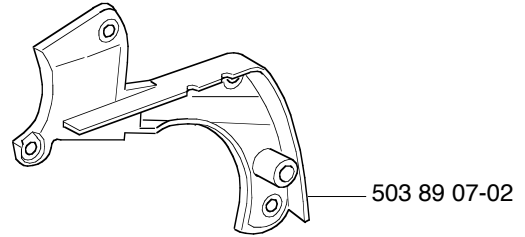
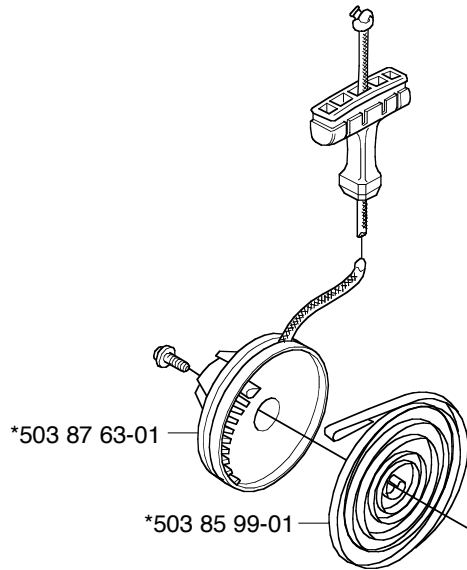




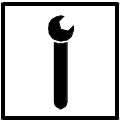
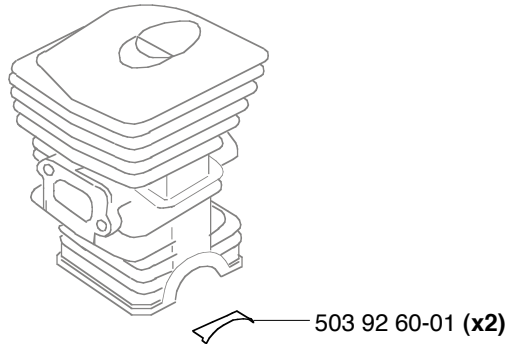
From 20012600001(2141)
 From 20012500001(2145)
 Up to 20012500501(2150)



Up to 003100001



Up to 000601101 (CS 2141, CS 2145)



Up to 030103001
 Only EPA (CS 2150)

*compl 503 89 99-71 (CS 2150)
 Correction: 503 86 99-71

