

# CS 2141

# CS 2141 S

# CS 2145 S

# CS 2150

Spare parts

Ersatzteile

Pièces détachées

Reserve onderdelen

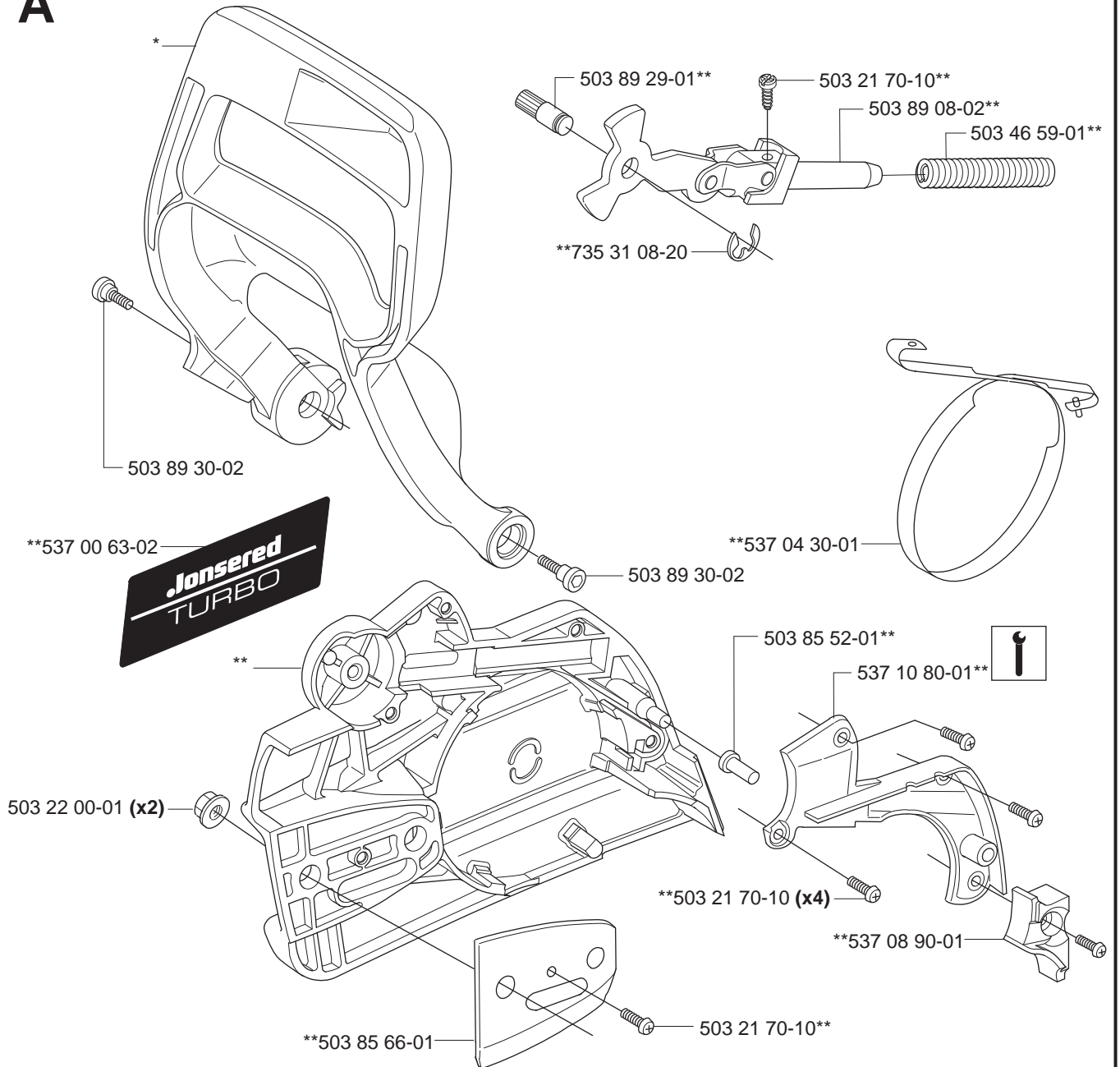
Repuestos

Reservdelar

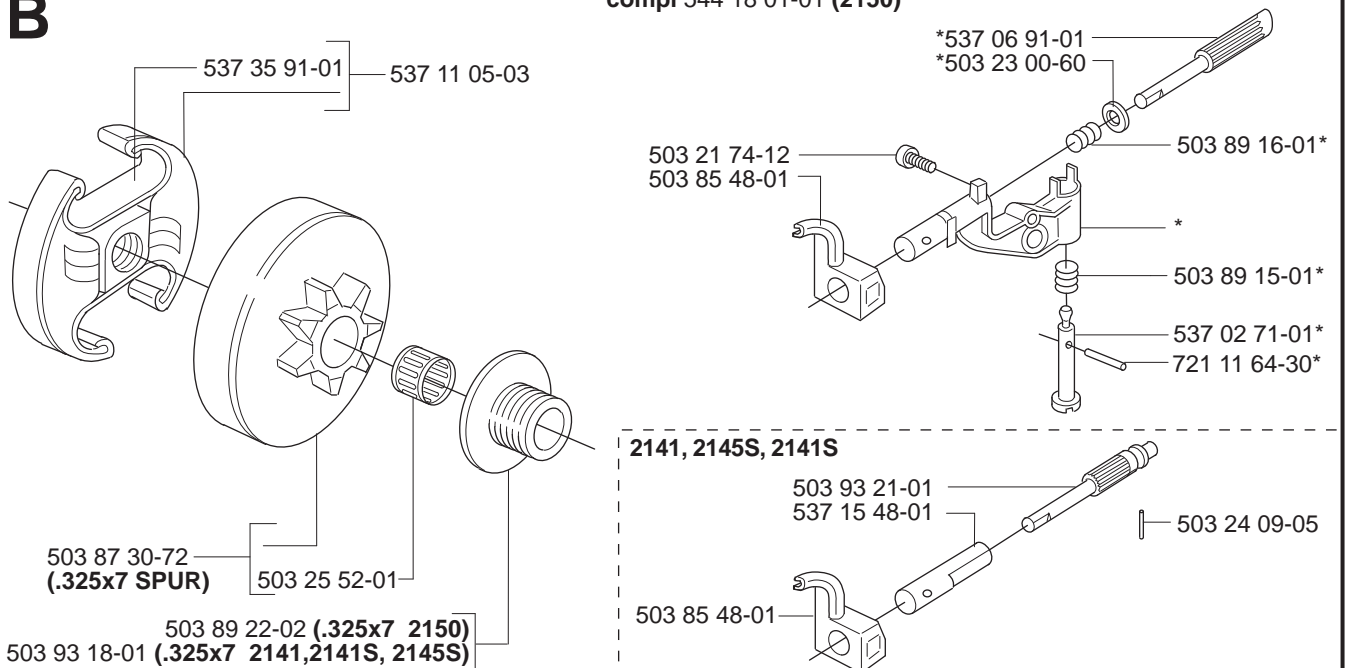
**A**

\*compl 537 01 21-02

\*\*compl 537 10 79-01

**B**

\*compl 544 18 01-01 (2150)



**D** \*compl 537 01 14-03 (CS 2141)

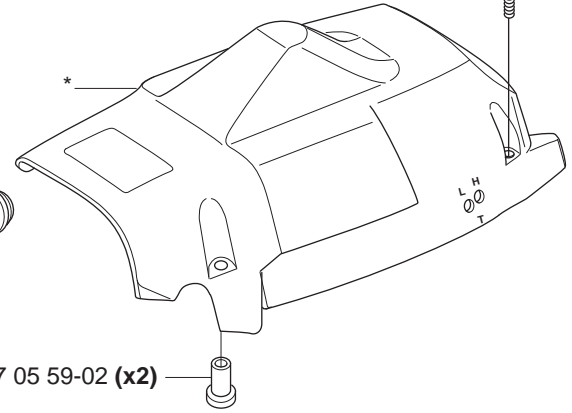
\*503 98 74-01



\*503 40 59-01

\*537 05 59-02 (x2)

\*503 20 34-25 (x3)



**D** \*compl 544 34 33-01 (CS 2141S, CS 2145S)

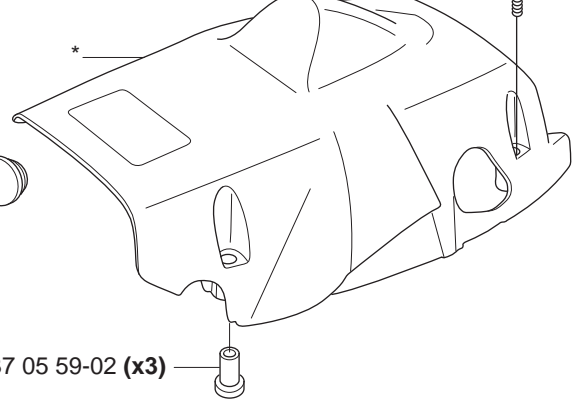
\*503 98 74-01



\*503 40 59-01

\*537 05 59-02 (x3)

\*503 20 34-25 (x3)



**D** \*compl 544 34 34-01 (CS 2150)

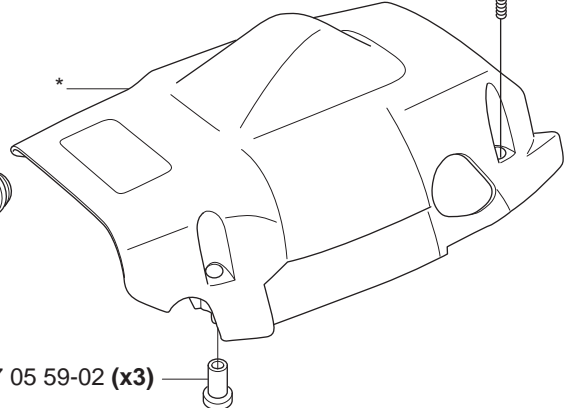
\*503 98 74-01



\*503 40 59-01

\*537 05 59-02 (x3)

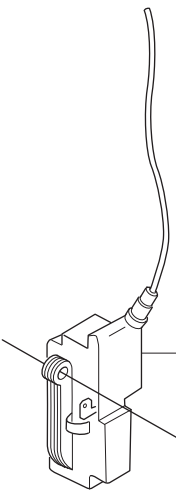
\*503 20 34-25 (x3)



**E** compl 501 48 54-02

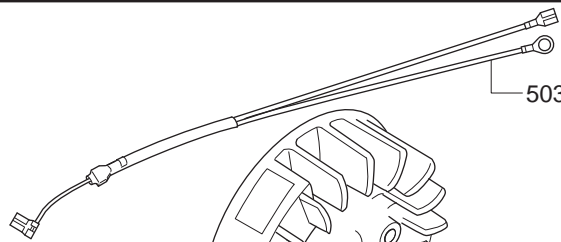


compl 501 48 54-02



544 04 70-01 (CS2141, CS2141S, CS2145S, CS2150)  
544 17 19-01 (CS2150) EPA

503 21 55-25 (x2)



503 89 87-03

503 22 04-01

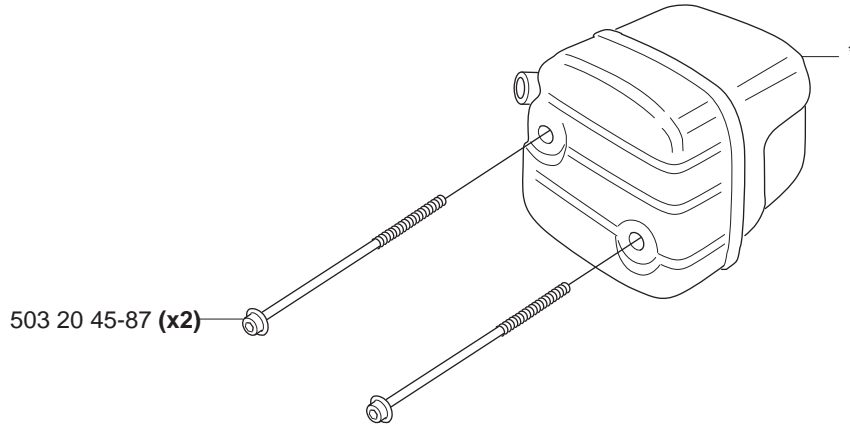
503 78 32-01 (x2)

503 89 50-01 (x2)

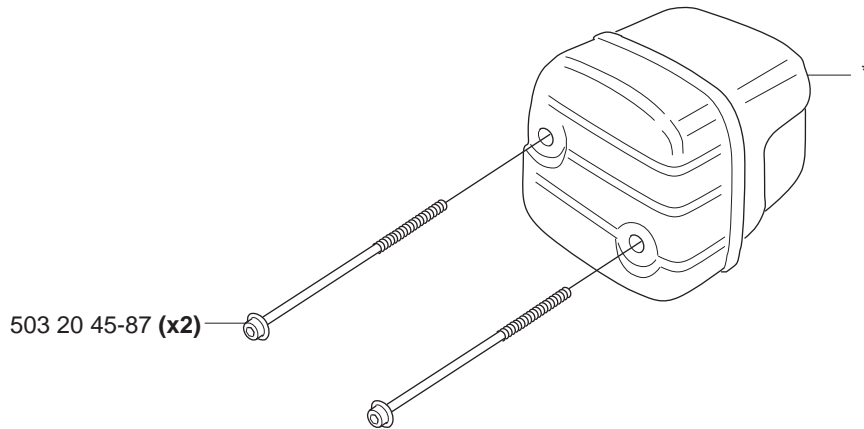
503 79 05-02 (x2)

compl 503 82 43-01

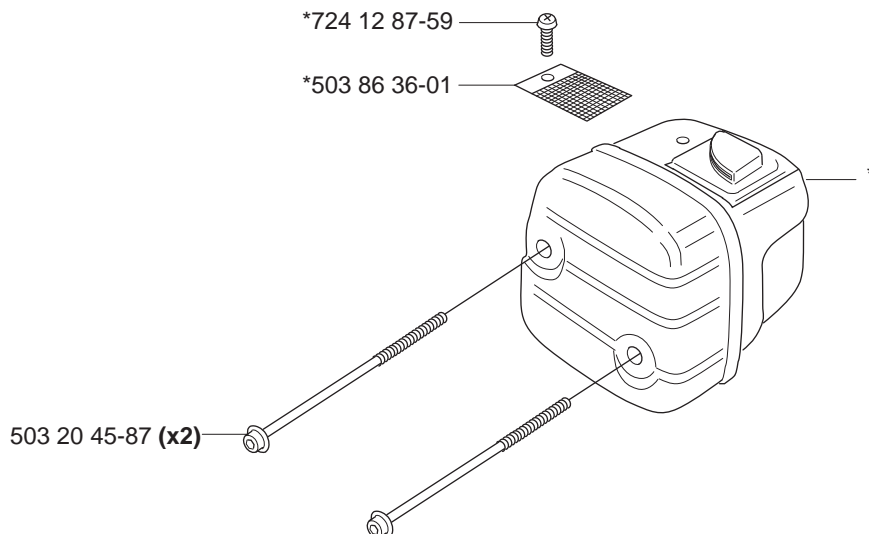
**F** \*compl 503 86 27-03 (EU) CS 2150



**F** \*compl 503 87 96-02 (FG) CS 2141, 2141S, 2145S

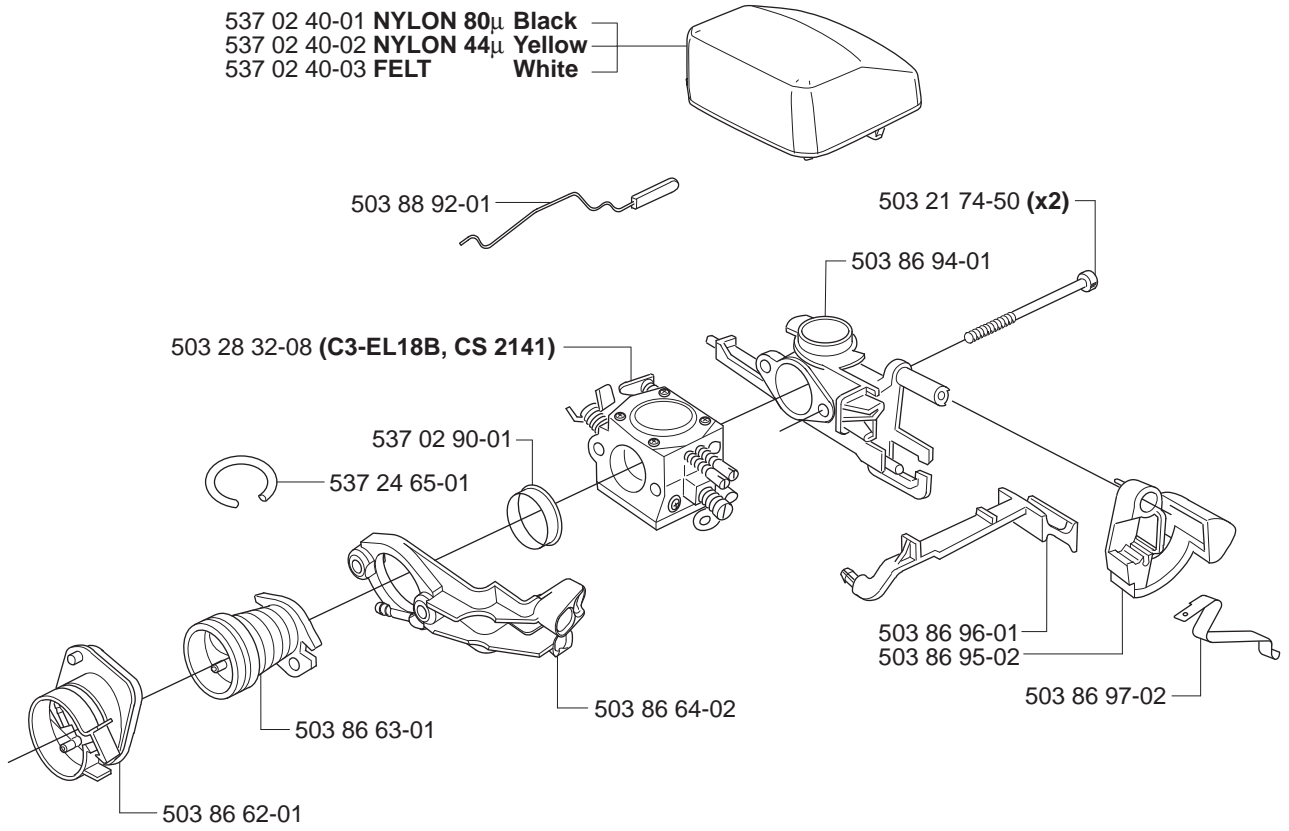


**F** \*compl 503 86 28-03 (DF)CS 2141, 2141S, 2145S, 2150



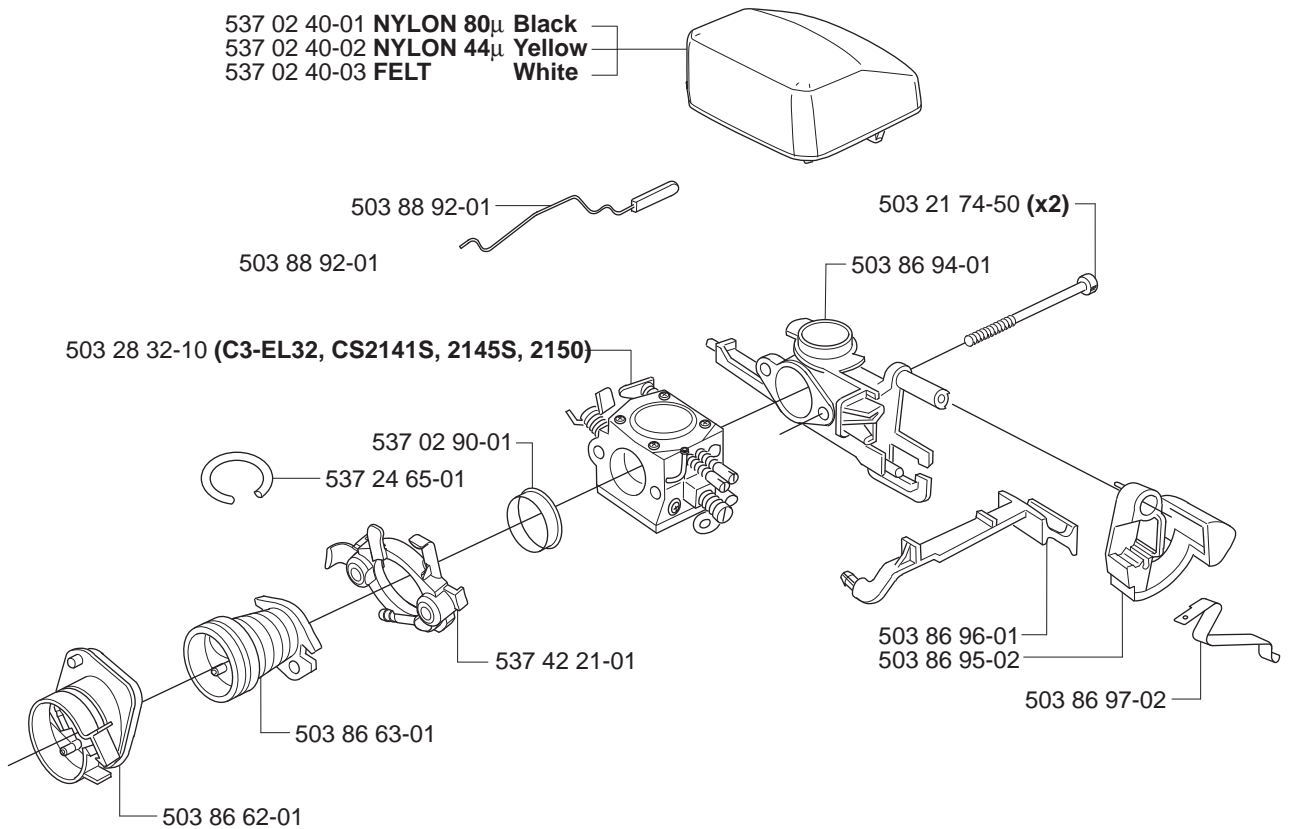
**G** CS 2141

537 02 40-01 **NYLON 80 $\mu$  Black**  
 537 02 40-02 **NYLON 44 $\mu$  Yellow**  
 537 02 40-03 **FELT White**



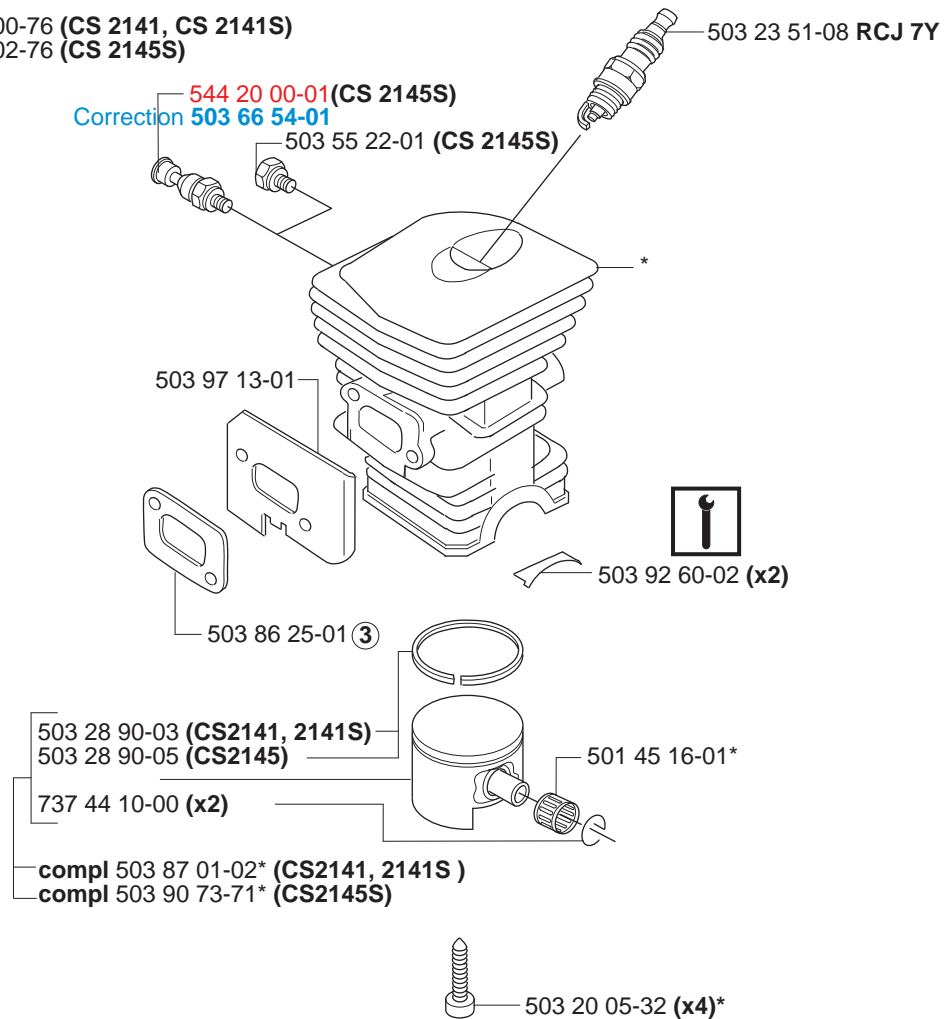
**G** CS 2141S, CS 2145S, CS 2150

537 02 40-01 **NYLON 80 $\mu$  Black**  
 537 02 40-02 **NYLON 44 $\mu$  Yellow**  
 537 02 40-03 **FELT White**

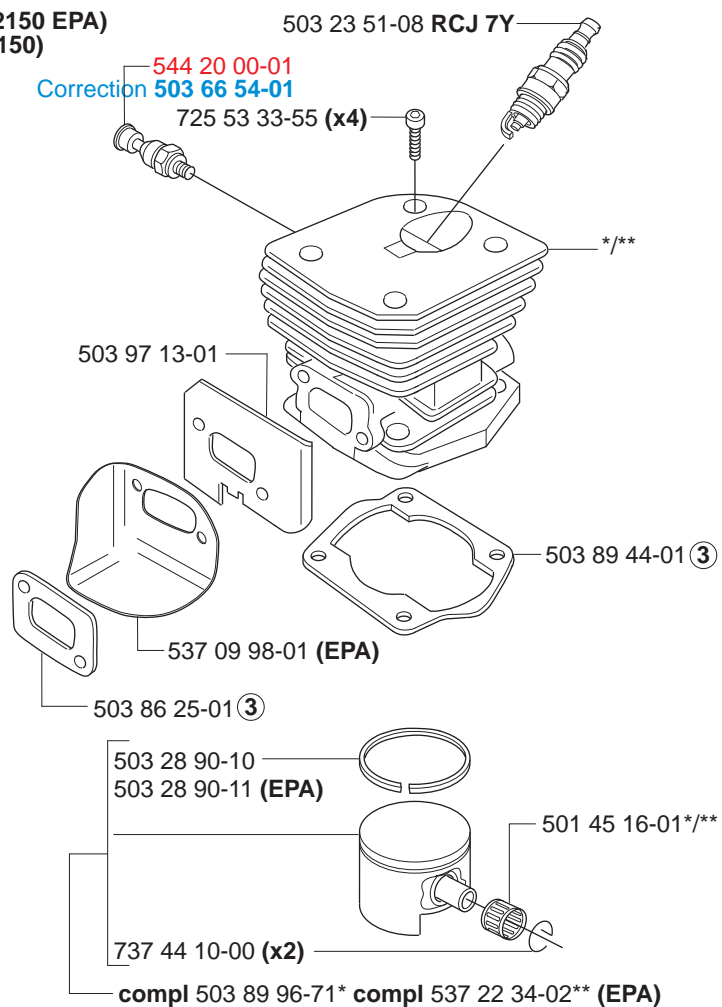


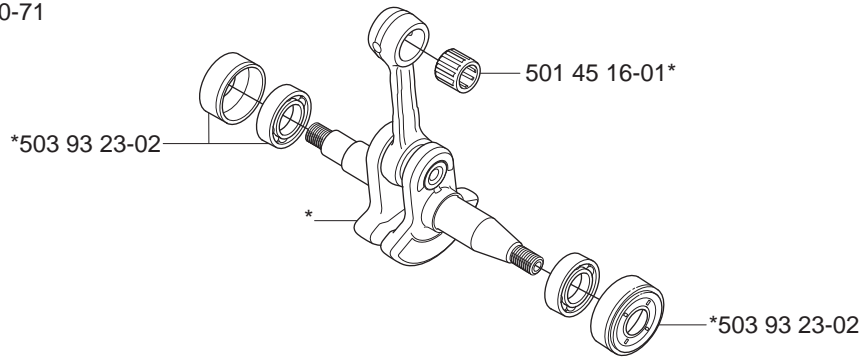
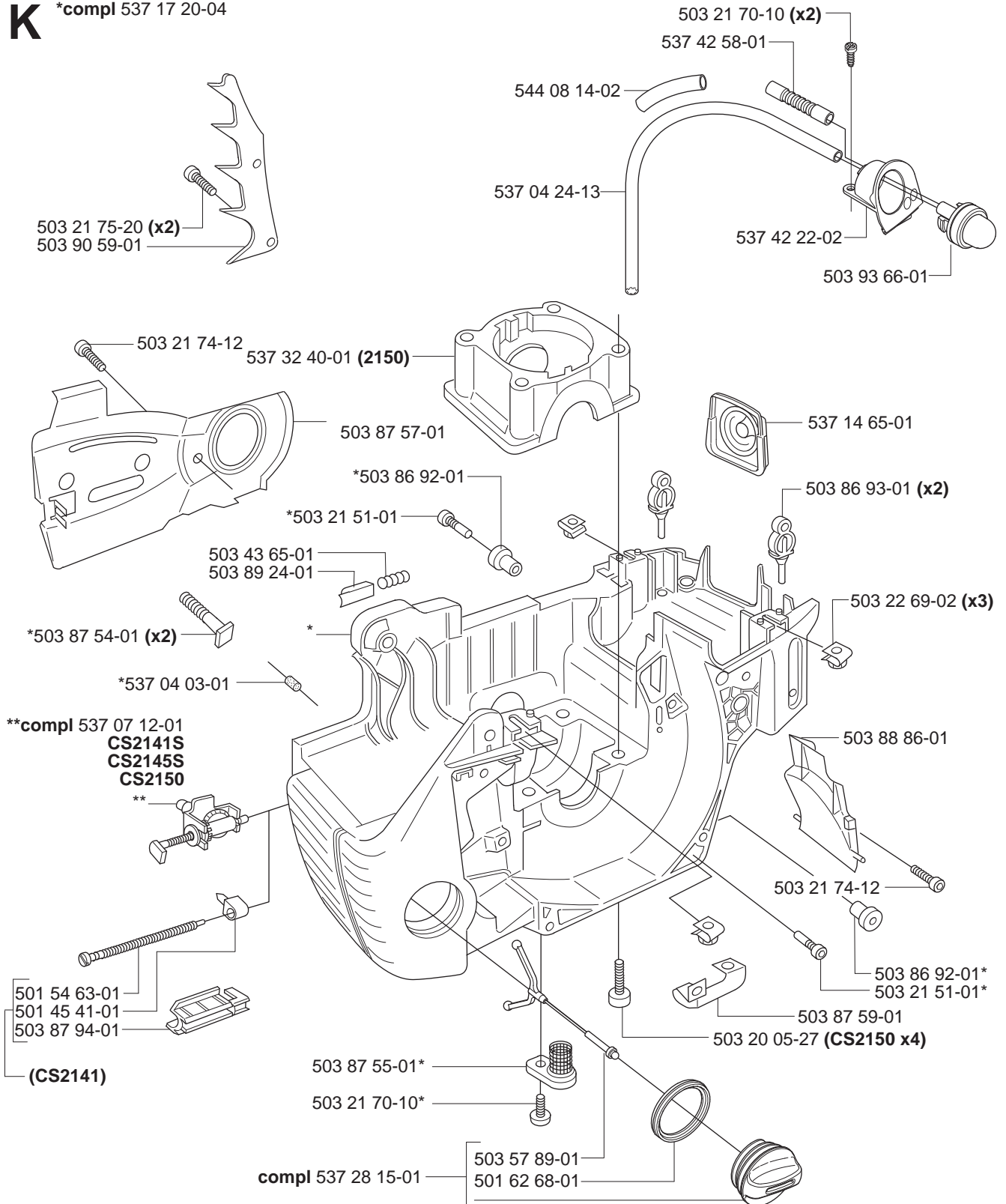
**H**

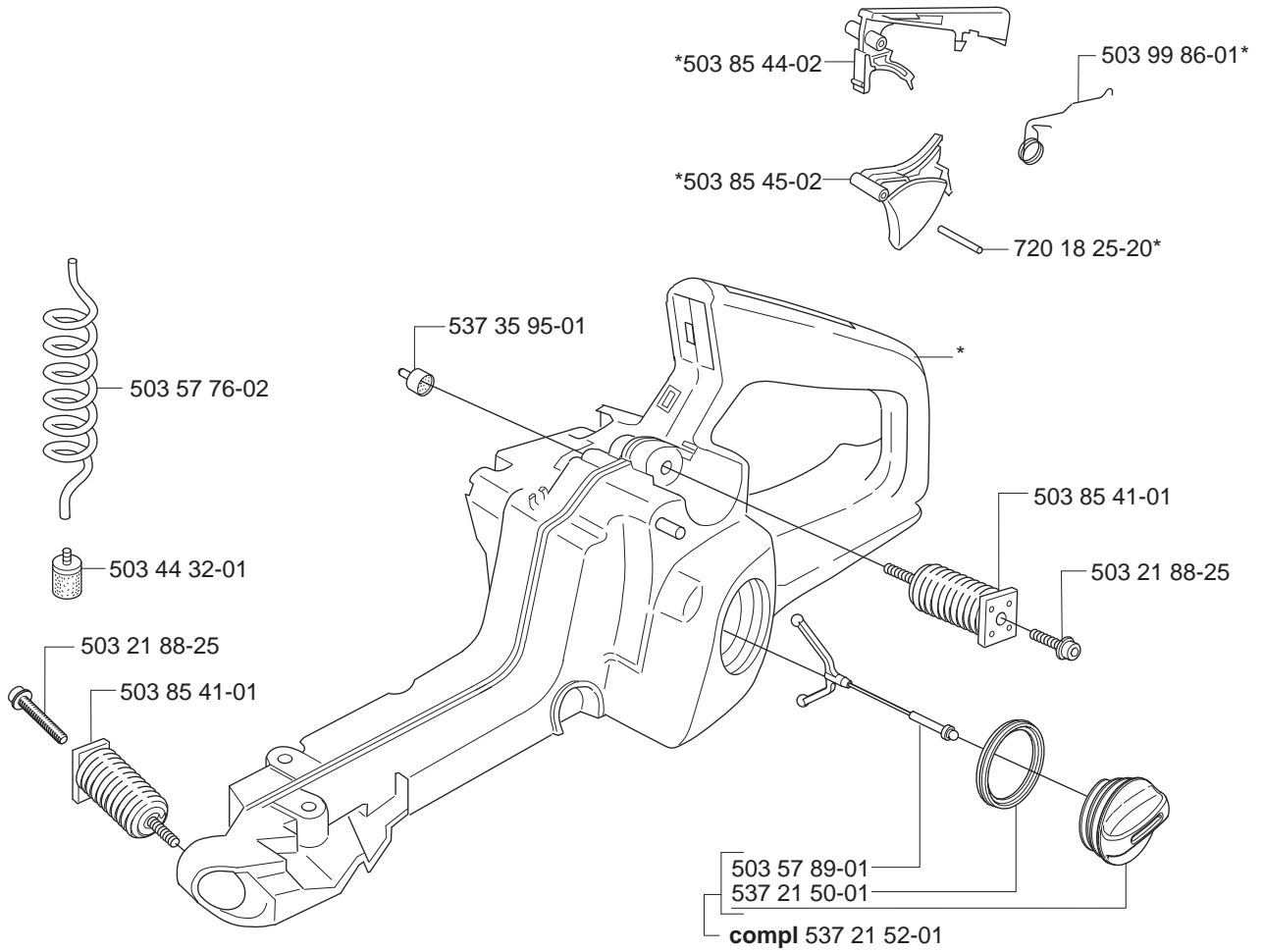
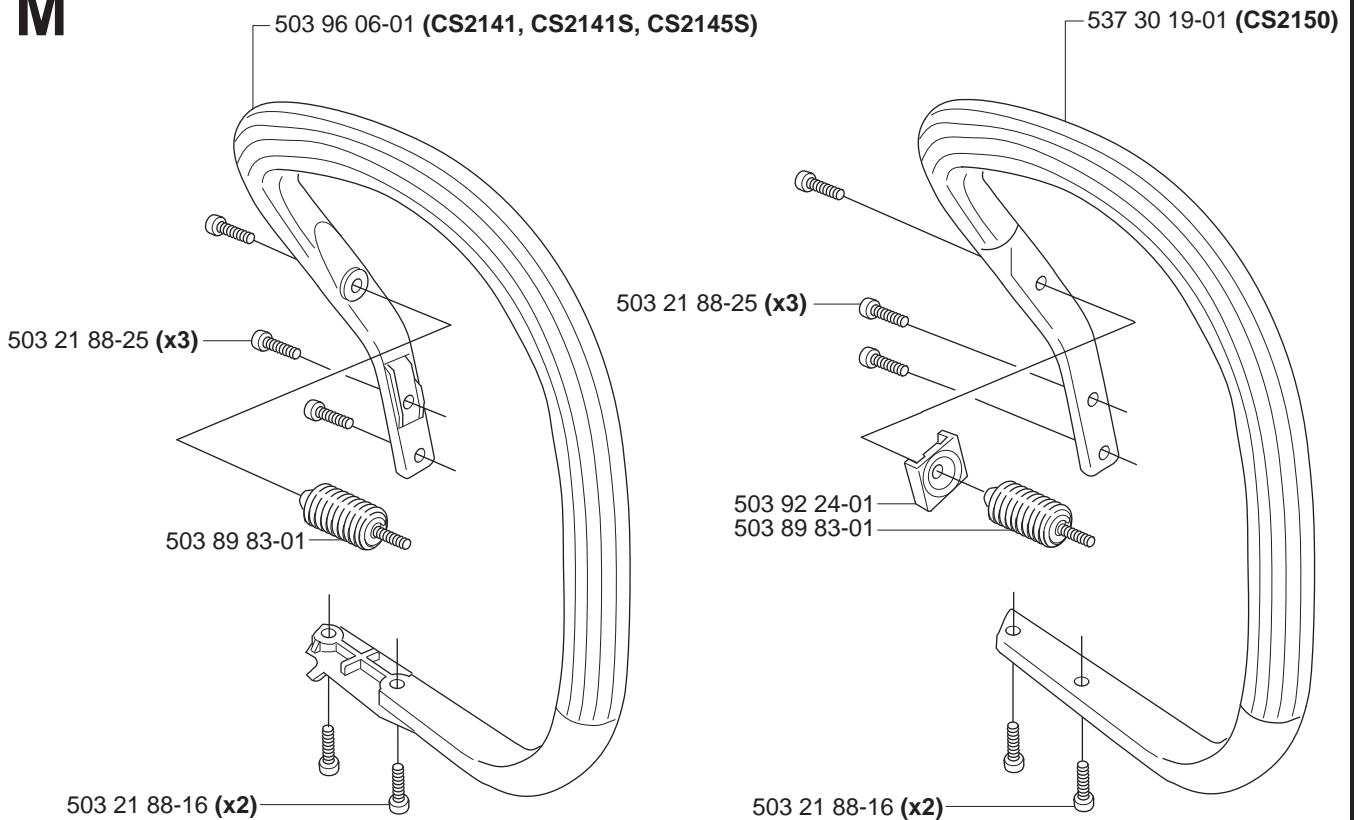
\*compl 503 87 00-76 (CS 2141, CS 2141S)  
 \*compl 503 87 02-76 (CS 2145S)

**H**

\*\*compl 537 25 30-02 (CS2150 EPA)  
 \*compl 503 86 99-71 (CS2150)

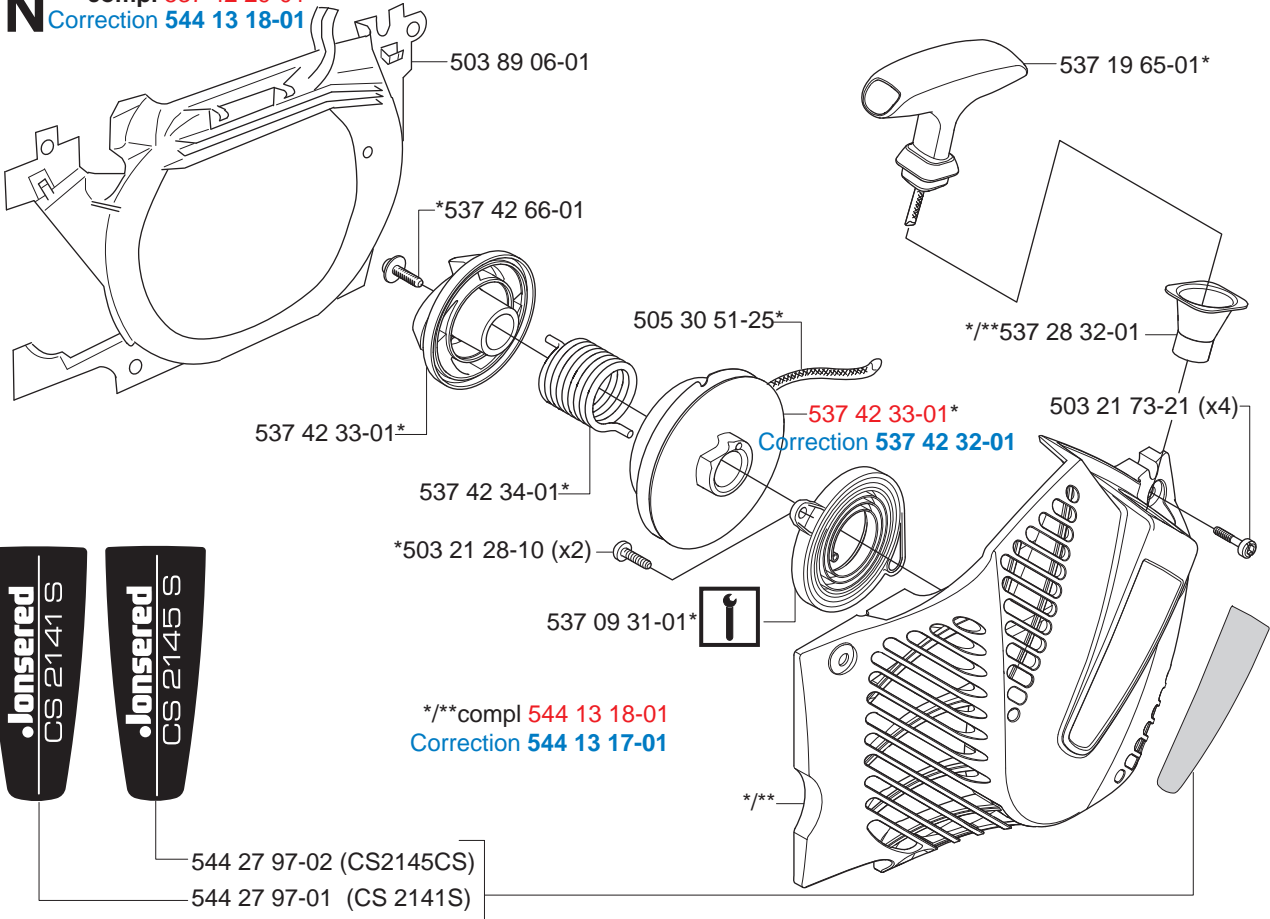


**J****\*compl 503 85 80-71****K****\*compl 537 17 20-04**

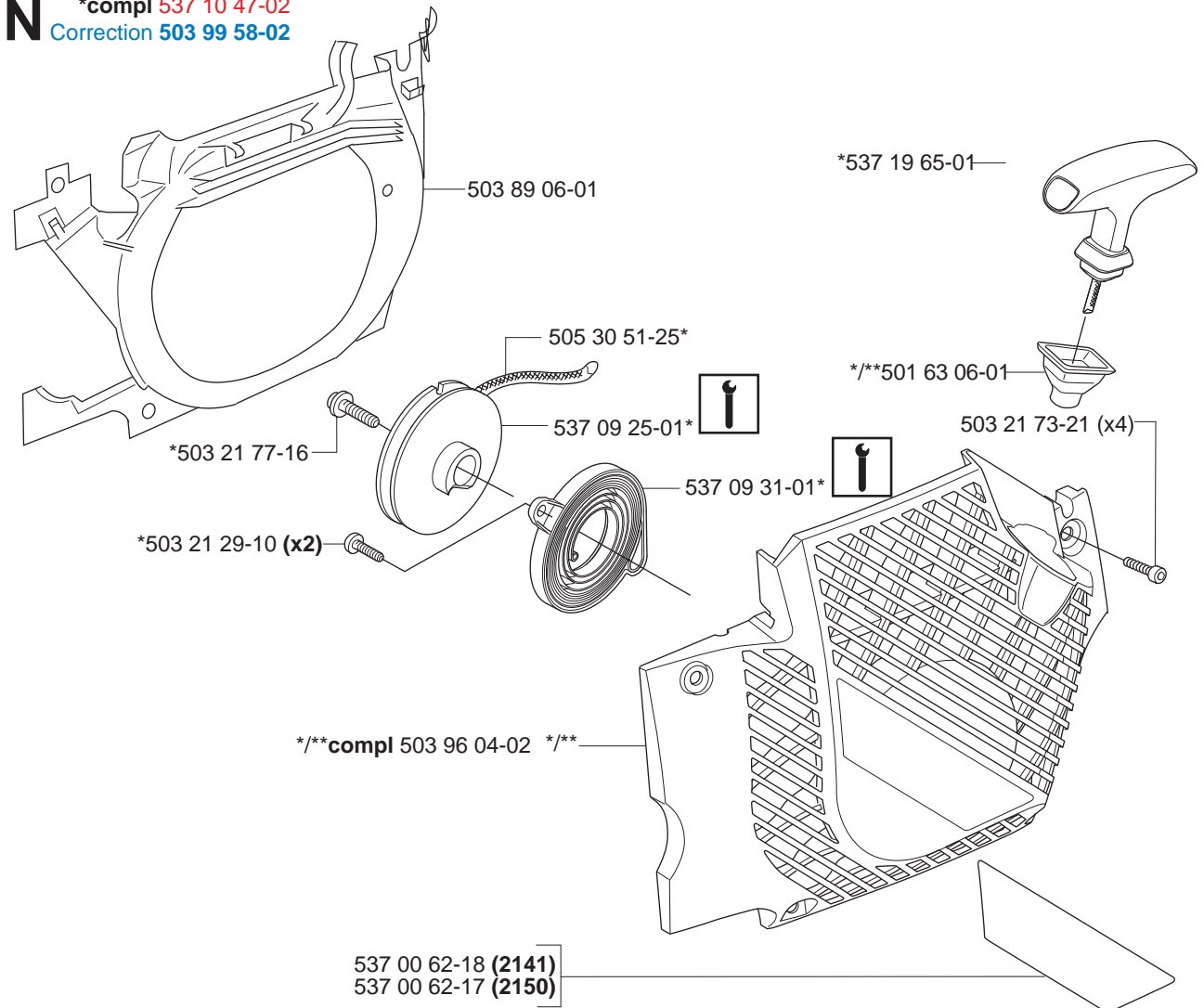
**L****\*compl 503 86 37-04****M**



**N** \*compl 537 42 29-01  
Correction 544 13 18-01

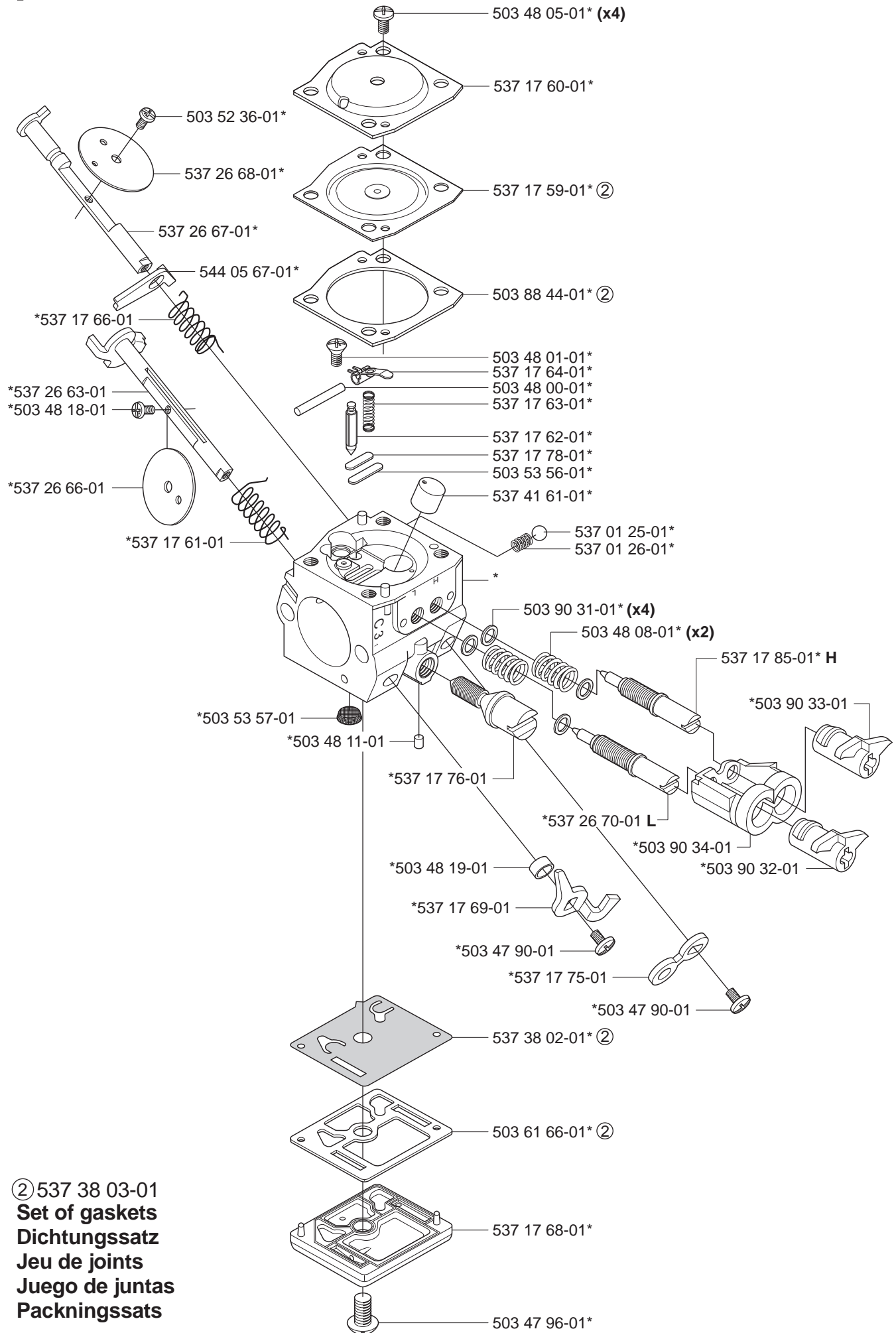


**N** \*compl 537 10 47-02  
Correction 503 99 58-02



**P**

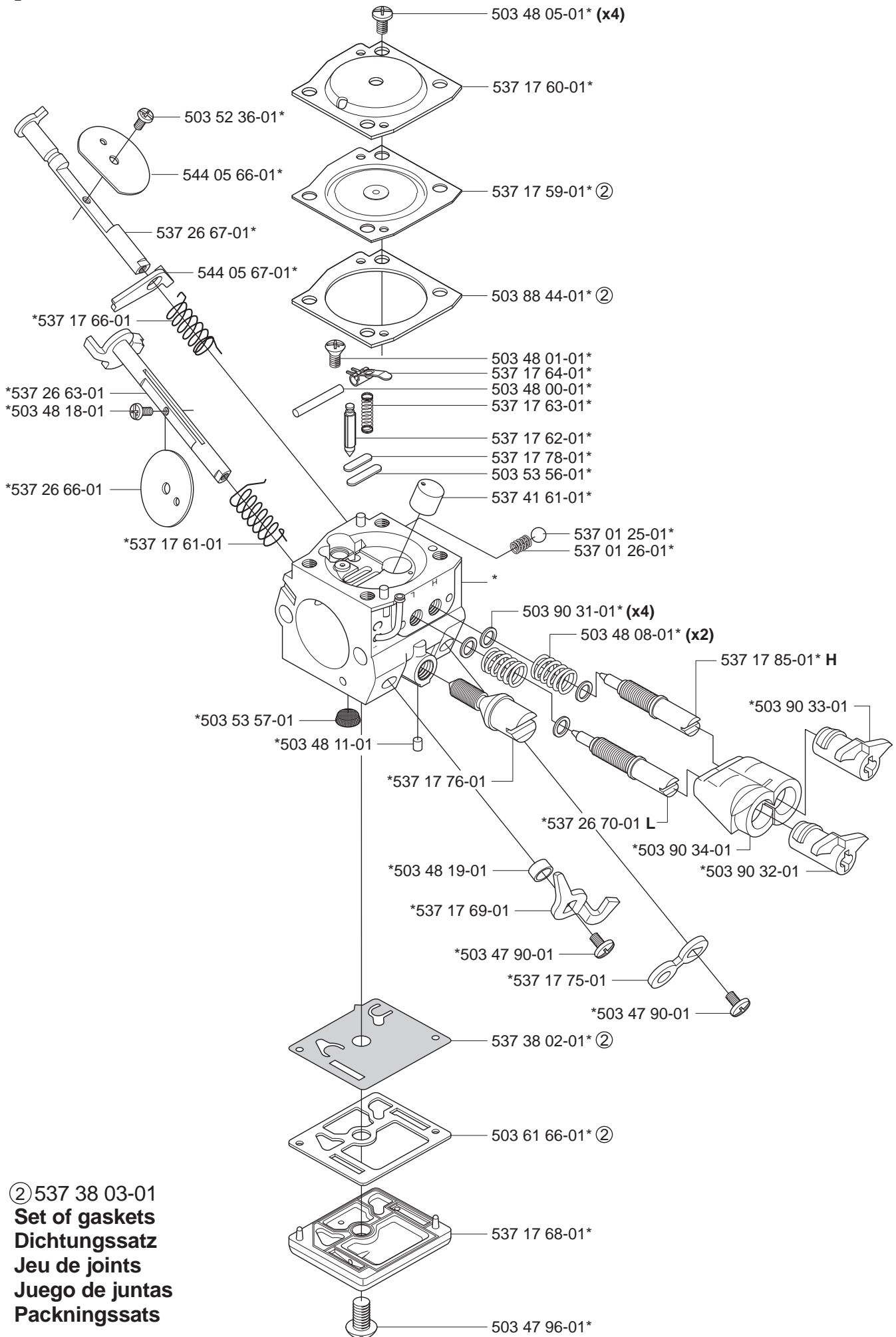
\*compl 503 28 32-08 ZAMA C3-EL18B (CS2141)

**ZAMA C3-EL18B**

② 537 38 03-01  
**Set of gaskets**  
**Dichtungssatz**  
**Jeu de joints**  
**Juego de juntas**  
**Packningssats**

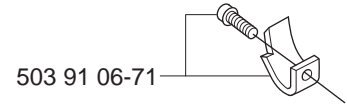
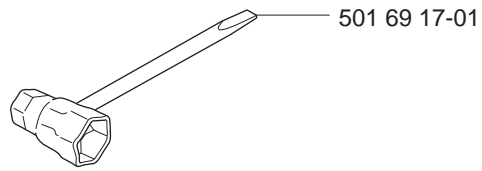
**P**

\*compl 503 28 32-08 ZAMA C3-EL32 (CS2141S, CS2145S, CS2150)

**ZAMA C3-EL32**

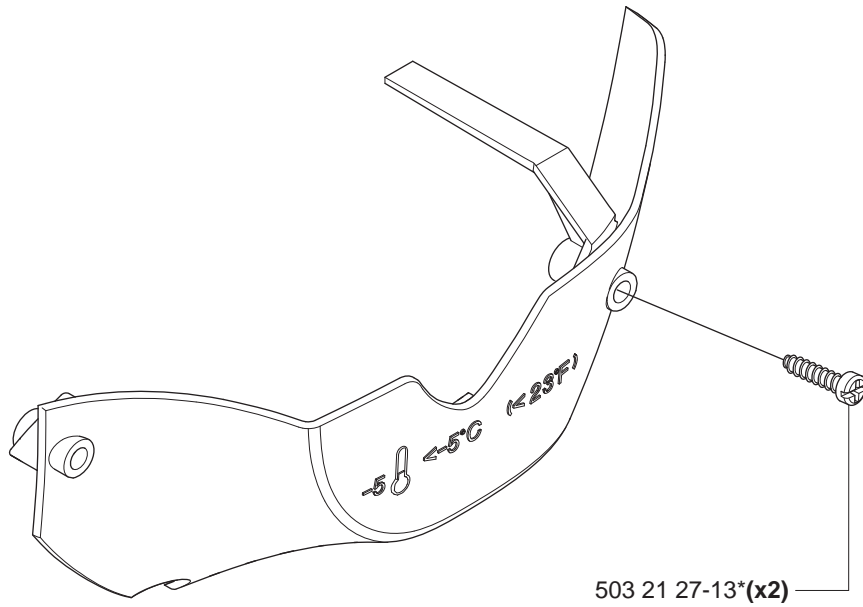
② 537 38 03-01  
**Set of gaskets**  
**Dichtungssatz**  
**Jeu de joints**  
**Juego de juntas**  
**Packningsats**

**Q** Tillbehör  
Accessories  
Zubehöre  
Accessoires  
Accesorios



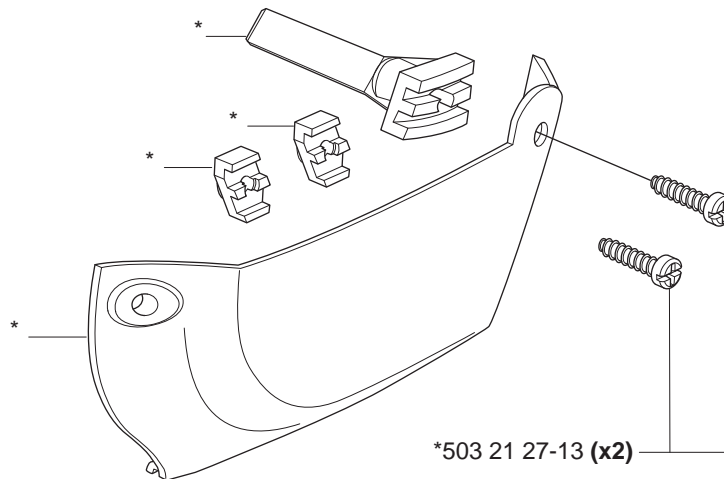
**Winter kit**

\*compl 544 34 44-01 (CS2141S, CS2145S)



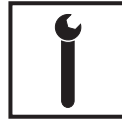
**Winter kit**

\*compl 537 16 25-01(CS2141, CS2150)

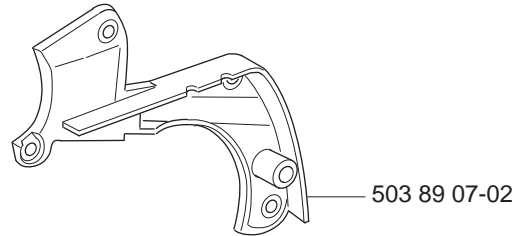
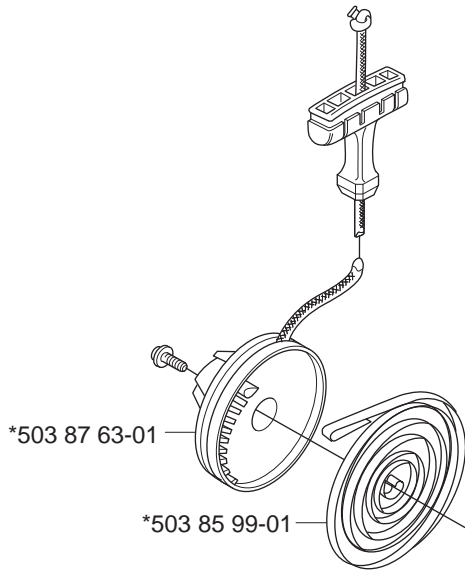




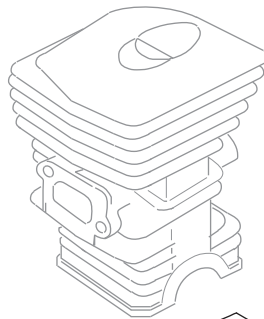
From 20012600001(2141)  
 From 20012500001(2145)  
 Up to 20012500501(2150)



Up to 003100001



Up to 000601101 (CS 2141, CS 2145)

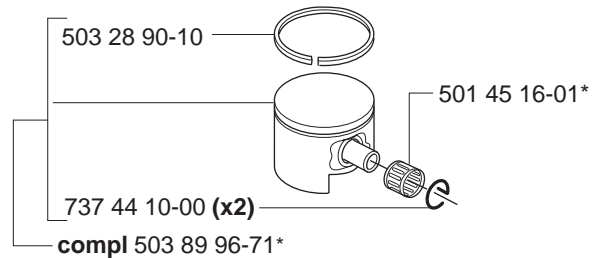
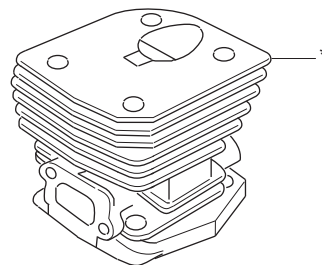


503 92 60-01 (x2)



Up to 030103001  
 Only EPA (CS 2150)

\*compl 503 89 99-71 (CS 2150)



537 32 40-01 (350)

