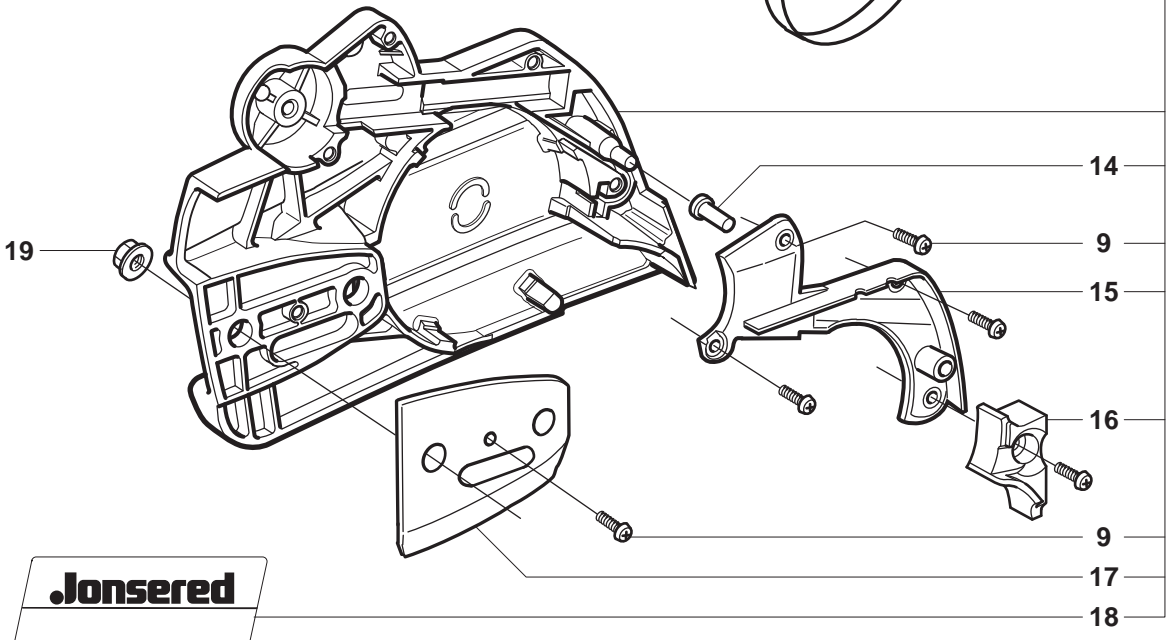
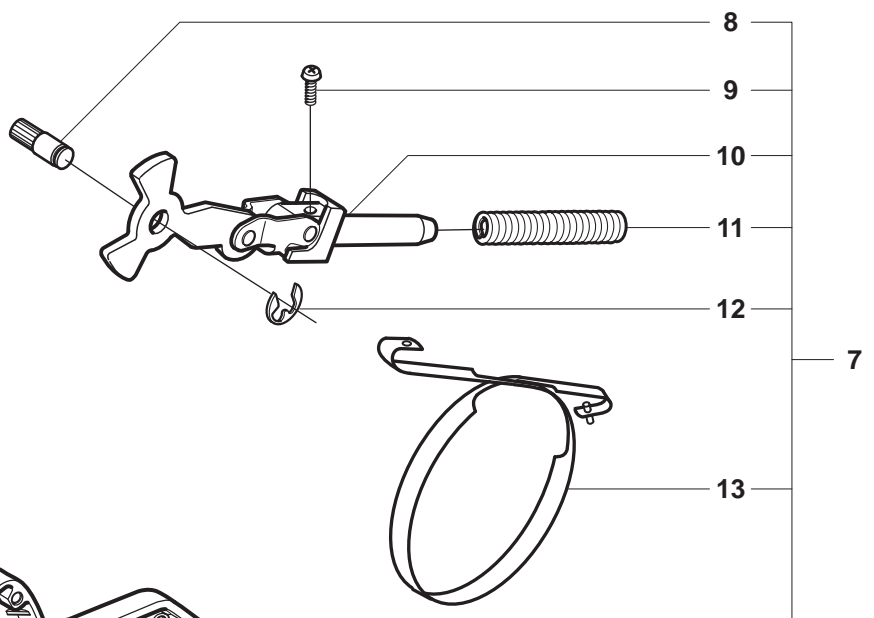
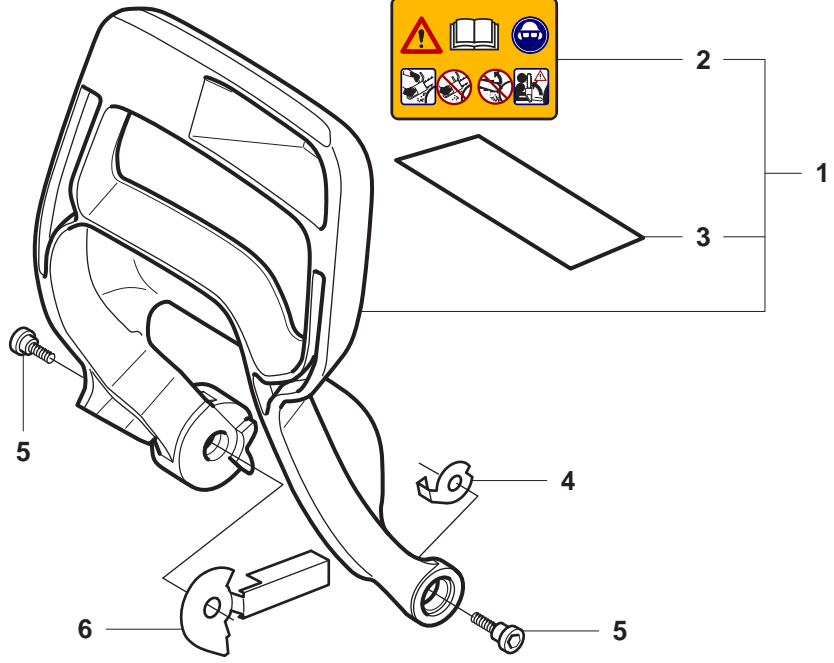


CS2153 CS2152

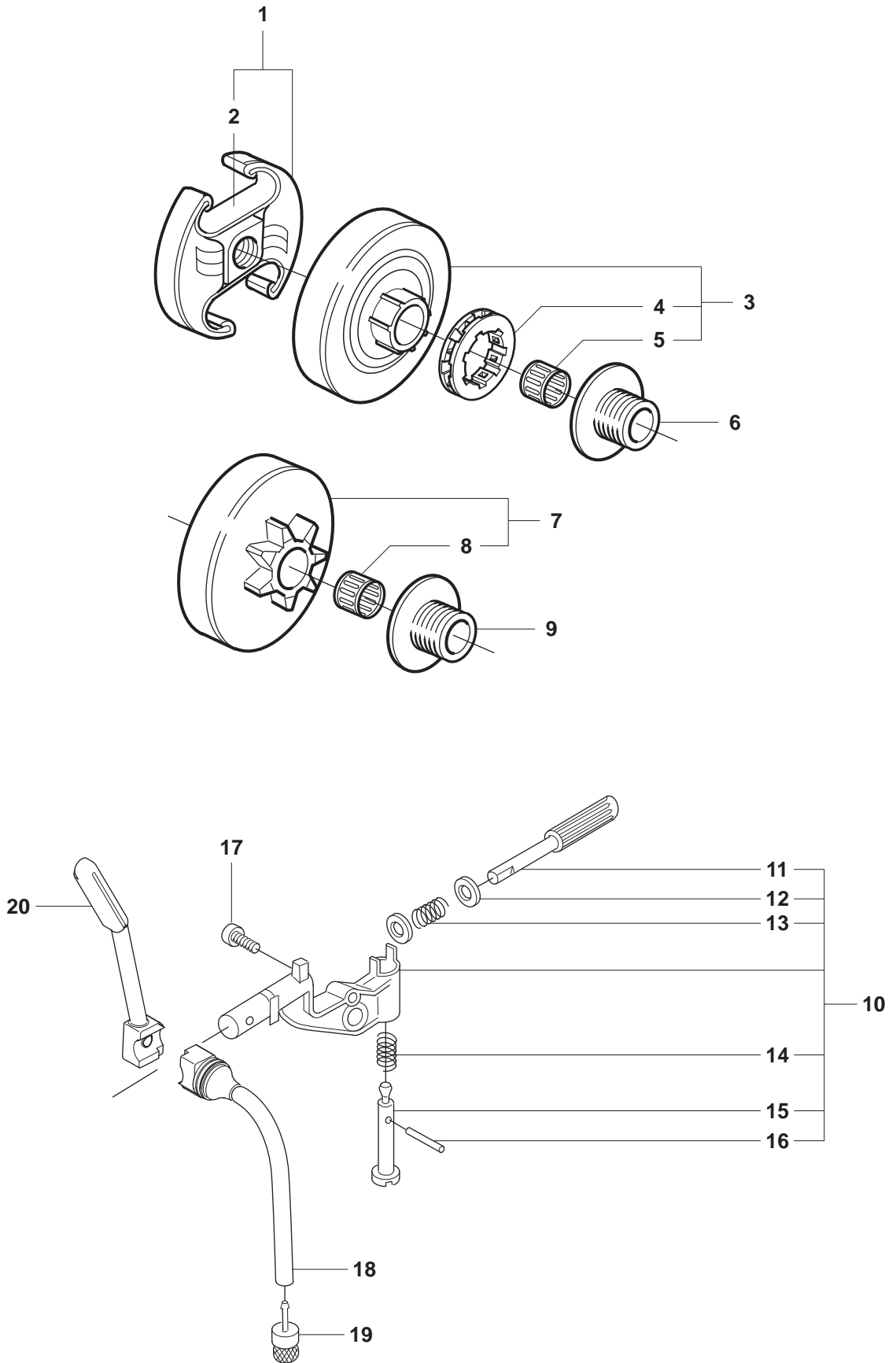
Spare parts
Ersatzteile
Pièces détachées
Reserve onderdelen
Repuestos
Reservdelar

A CS2153/CS2152
CHAIN BREAK & CLUTCH COVER



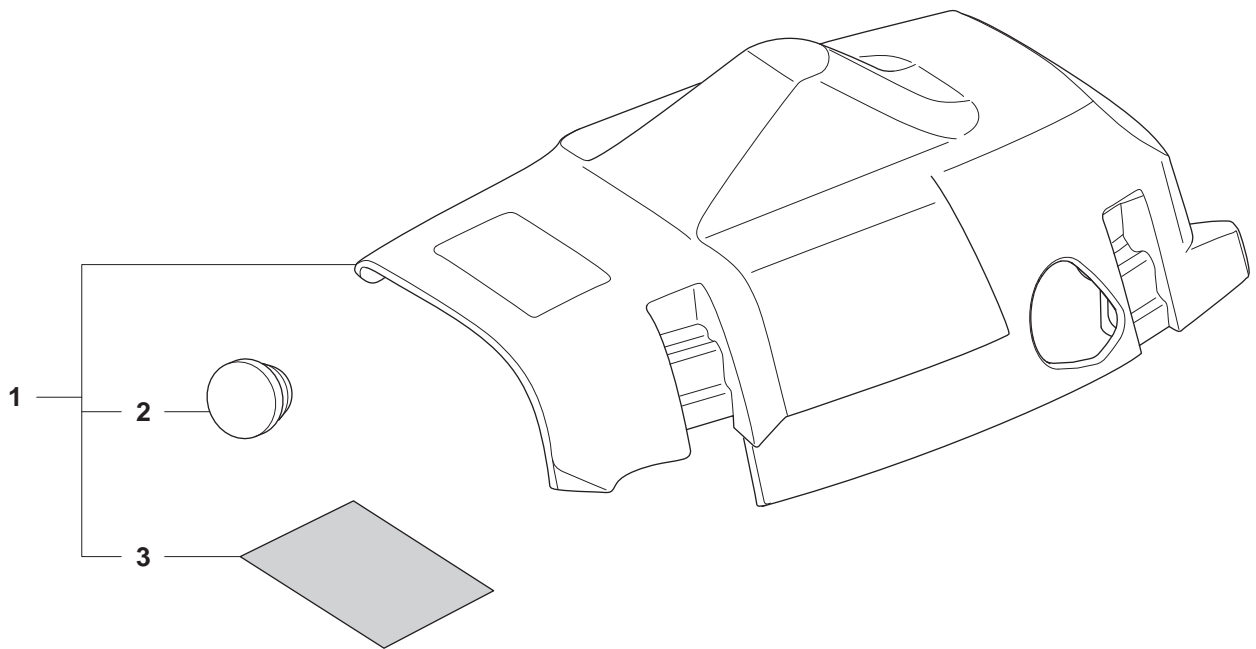
Page A		CS2153, CS2152	CHAIN BREAK & CLUTCH COVER	
Position	Article	Quantity	Notes	Kit
1	537 01 21-03	1		
2	503 98 74-01	1		1
3	537 15 27-01	1		1
4	503 92 95-01	1		
5	503 89 30-03	2		
6	537 02 99-01	1		
7	537 10 79-01	1		
8	503 89 29-01	1		7
9	503 21 70-72	6		7
10	503 89 08-02	1		7
11	503 46 59-01	1		7
12	735 31 08-20	1		7
13	537 04 30-01	1		7
14	503 85 52-01	1		7
15	537 10 80-01	1		7
16	537 08 90-01	1		7
17	503 85 66-01	1		7
18	537 00 63-02	1		7
19	503 22 00-01	2		7

B CS2153/CS2152
CLUTCH & OIL PUMP



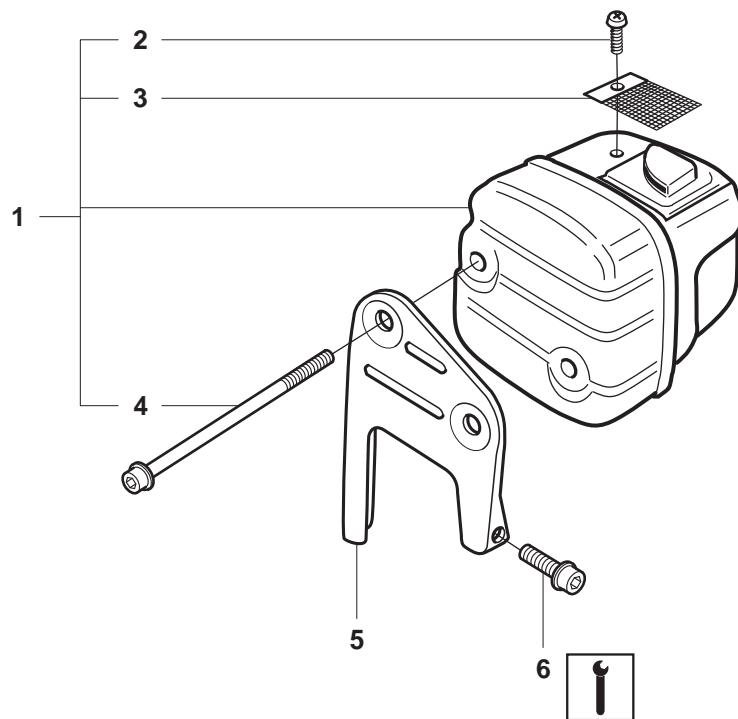
Page B CS2153, CS2152		CLUTCH & OIL PUMP		
Position	Article	Quantity	Notes	Kit
1	537 11 05-03	1	.325x7	
2	537 08 00-01	2		1
3	503 98 00-71	1		
4	501 45 74-02	1		3
5	503 25 52-01	1		3
6	503 89 21-02	1	.325x7 RIM	
7	503 87 30-72	1	.325x7	
8	503 25 52-01	1		7
9	503 89 20-02	1	.325x7 SPUR	
10	544 18 01-03	1		
11	537 06 91-02	1		10
12	503 23 00-60	2		10
13	503 89 16-01	1		10
14	503 89 15-01	1		10
15	537 02 71-01	1		10
16	721 11 64-30	1		10
17	503 21 74-12	1		
18	537 10 11-01	1		
19	504 71 00-03	1		
20	537 41 32-01	1		

C CS2153/CS2152
CLUTCH COVER



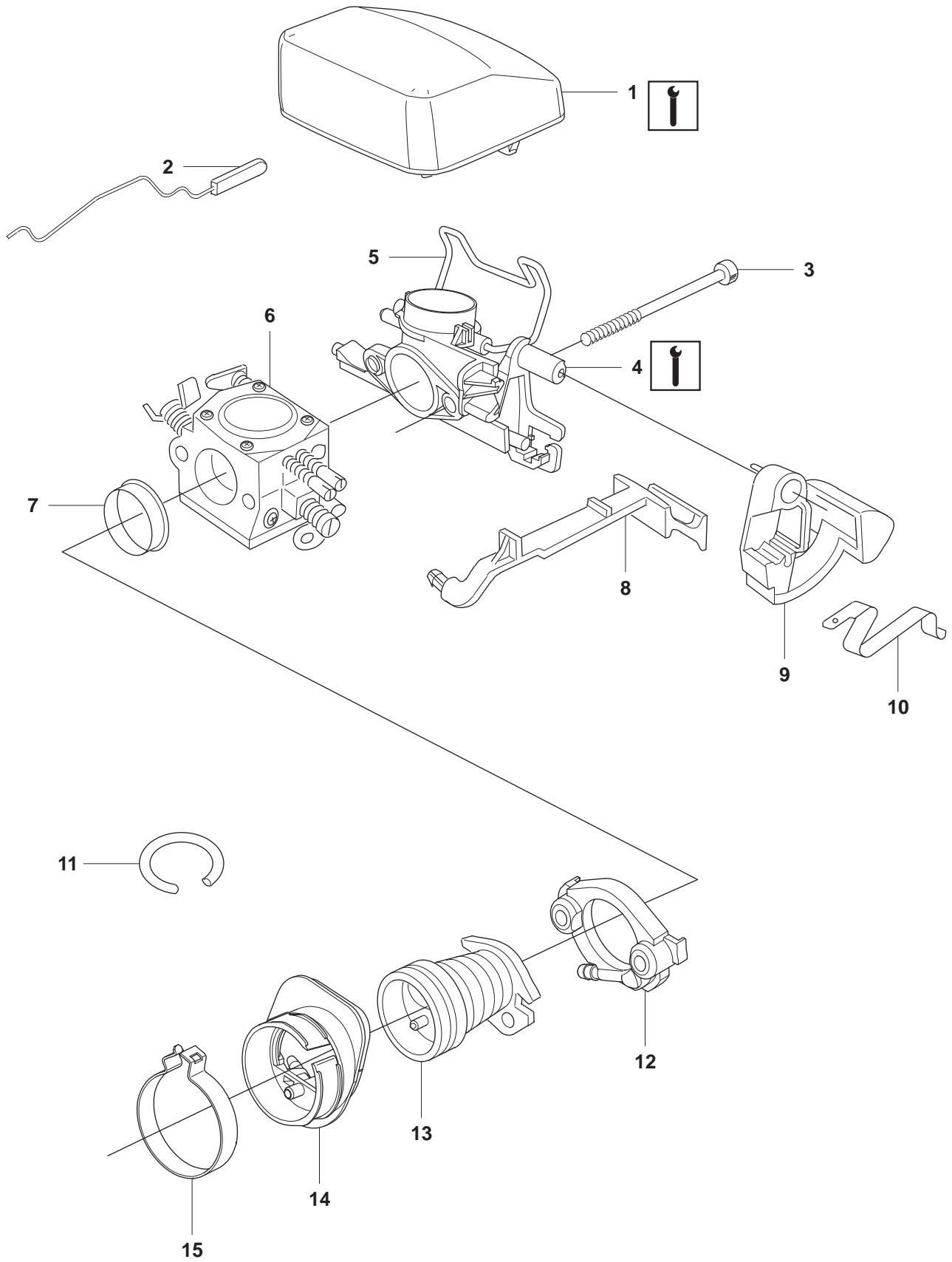
Page C CS2153, CS2152		CLUTCH COVER		
Position	Article	Quantity	Notes	Kit
1	504 05 44-01	1		
2	503 40 59-01	1		1
3	503 84 59-01	1		1

D CS2153/CS2152
MUFFLER



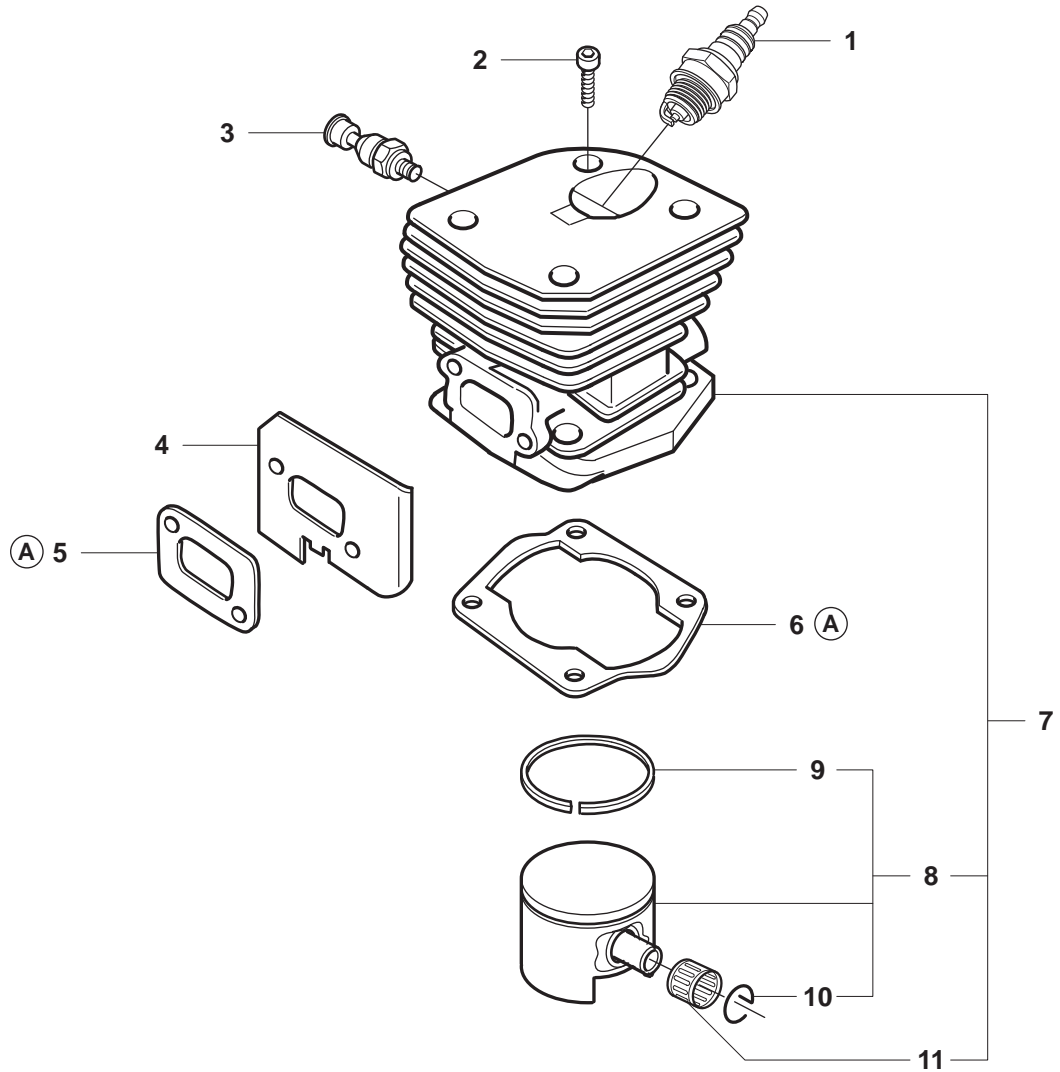
Position	Article	Quantity	Notes	Kit
1	503 86 28-03	1	DF	
1	537 07 54-02	1	CAT	
2	724 12 87-59	1		1
3	503 86 36-01	1		1
4	503 20 45-87	2		1
5	503 94 19-01	1		
6	503 20 07-76	1		

E CS2153/CS2152
CARBURETOR & AIR FILTER



Page E CS2153, CS2152		CARBURETOR & AIR FILTER		
Position	Article	Quantity	Notes	Kit
1	537 26 49-01	1	NYLON 80my Black	
1	537 26 49-02	1	NYLON 44my Yellow	
1	537 26 49-03	1	FELT White	
2	503 88 92-01	1		
3	503 21 74-50	2		
4	544 36 05-01	1		
5	537 39 31-02	1		
6	503 28 32-10	1	C3-EL32 B	
7	537 02 90-01	1		
8	503 86 96-01	1		
9	503 86 95-02	1		
10	503 86 97-02	1		
11	544 32 51-01	1		
12	544 45 29-01	1		
13	503 86 63-02	1		
14	537 42 28-01	1		
15	537 43 88-01	1		

F CS2153/CS2152
CYLINDER PISTON

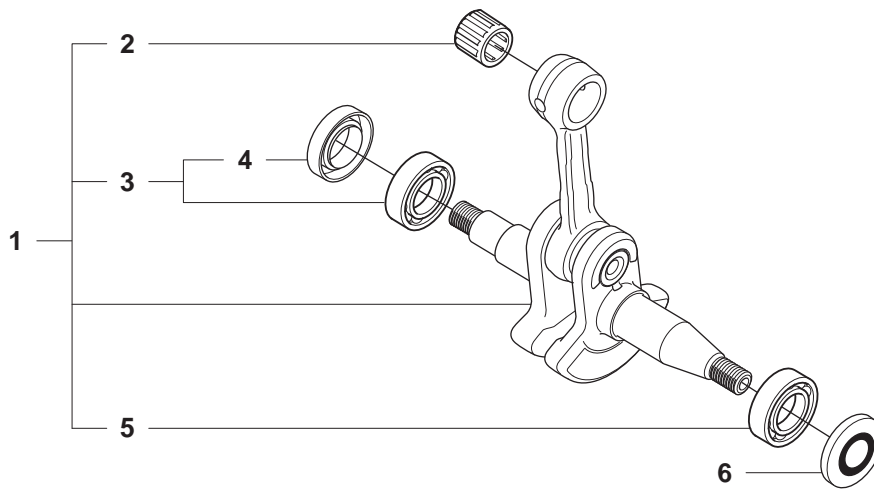


12

Ⓐ 503 94 28-02
Set of gaskets
Dichtungssatz
Jeu de joints
Juego de juntas
Packningssats

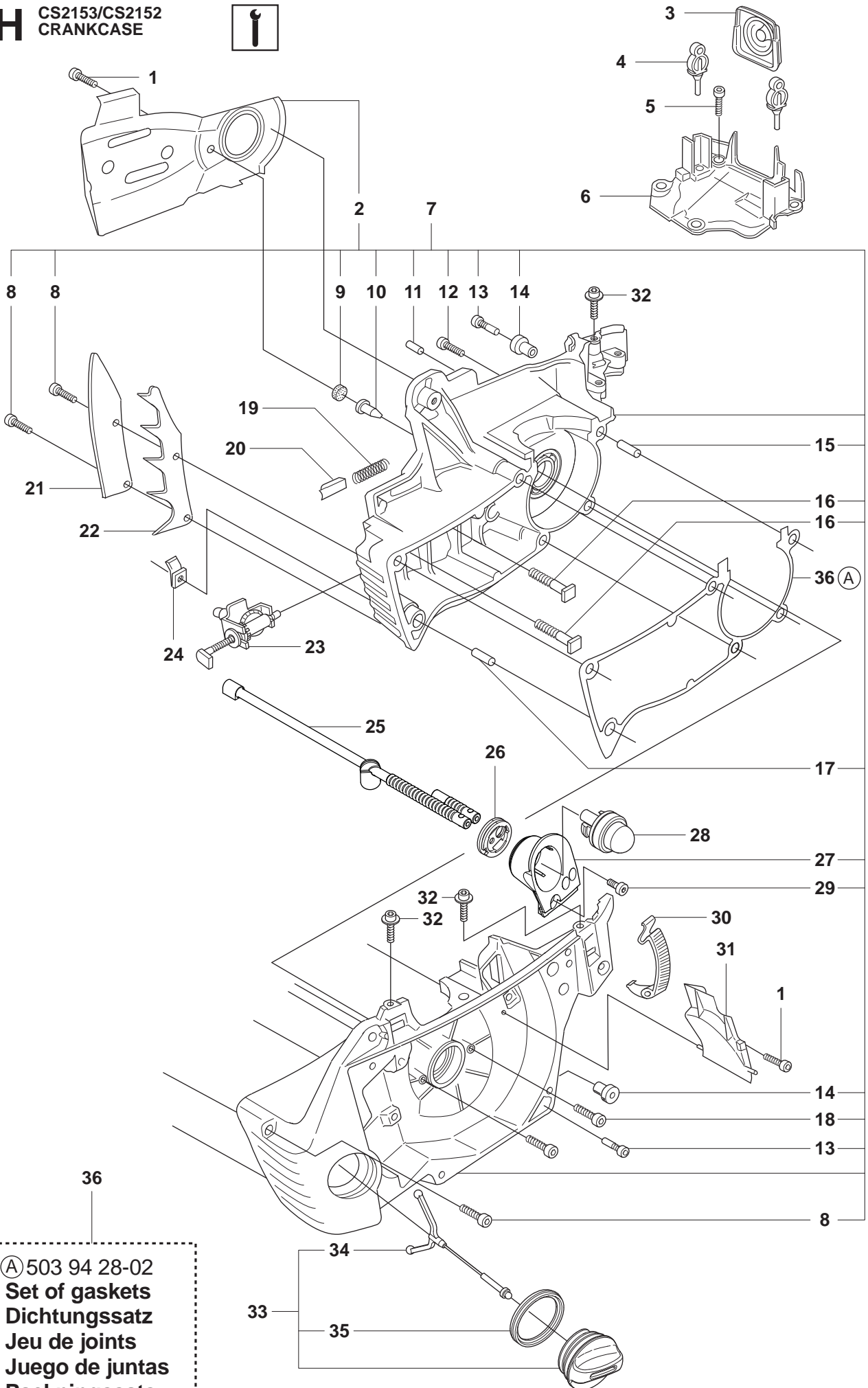
Page F		CS2153, CS2152		CYLINDER PISTON	
Position	Article	Quantity	Notes	Kit	
1	503 23 51-08	1	RCJ 7Y		
2	725 53 33-55	4			
3	503 66 54-01	1			
4	503 97 13-01	1			
5	503 86 25-01	1		12	
6	503 89 44-01	1		12	
7	537 25 31-04	1	CS 2152		
7	544 14 29-04	1	CS 2153		
8	537 22 36-04	1	CS 2152	7	
8	544 14 31-02	1	CS 2153	7	
9	503 28 90-11	1	CS 2152	8	
9	503 28 90-56	1	CS 2153	8	
10	737 44 10-00	2		8	
11	501 45 16-01	1		7	
12	503 94 28-02	1	A = Set of gaskets		

G CS2153/CS2152
CRANKSHAFT



Position	Article	Quantity	Notes	Kit
1	504 20 68-01	1		
2	501 45 16-01	1		1
3	505 41 60-01	1		1
4	505 41 61-01	1		3
5	738 22 02-25	1		1
6	505 27 57-19	1		

H CS2153/CS2152
CRANKCASE

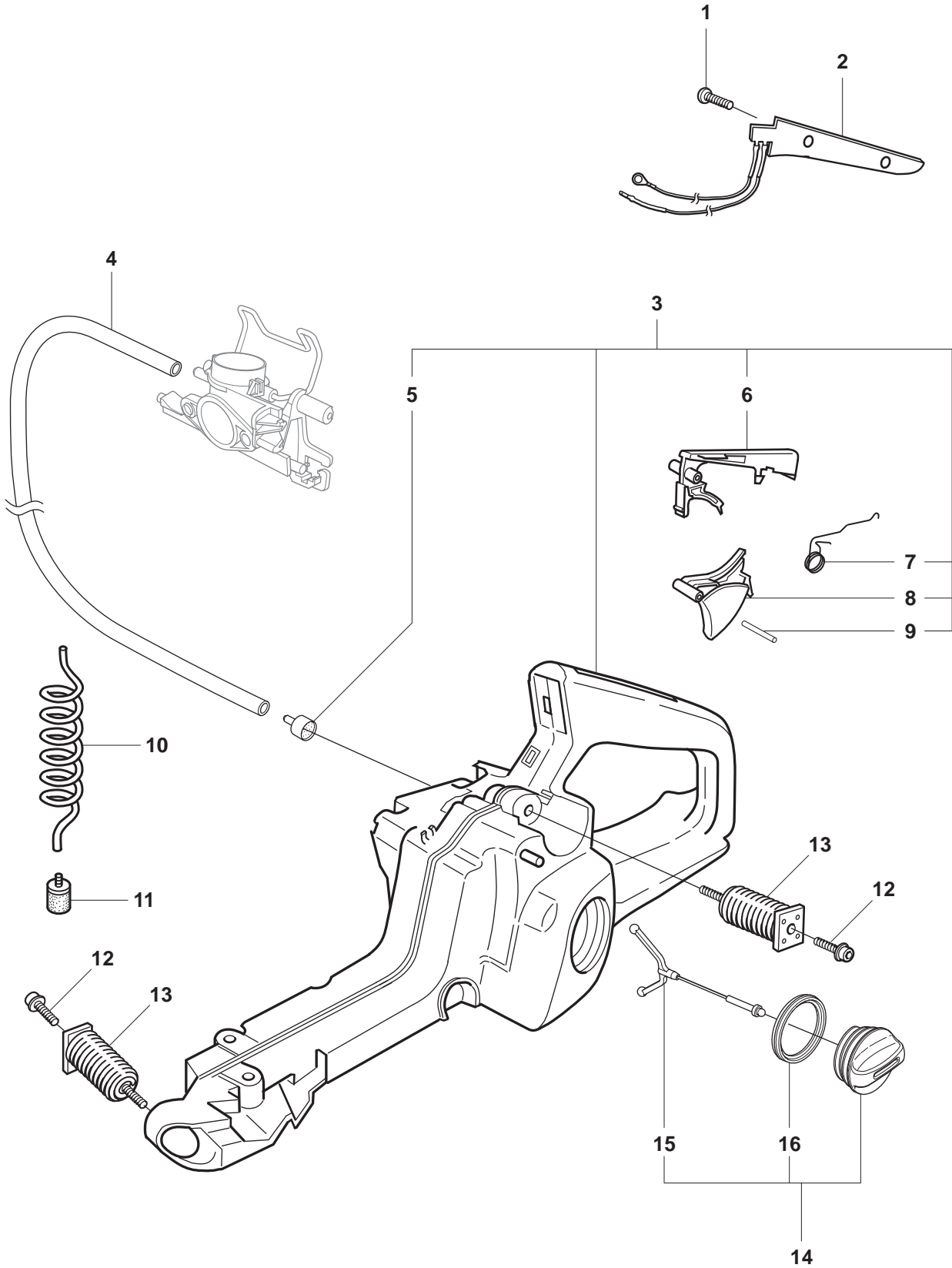


Ⓐ 503 94 28-02
Set of gaskets
Dichtungssatz
Jeu de joints
Juego de juntas
Packningssats

Page H CS2153, CS2152		CRANKCASE		
Position	Article	Quantity	Notes	Kit
1	503 21 74-12	3		
2	537 40 56-01	1		7
3	537 14 65-01	1		
4	503 86 93-01	2		
5	503 21 75-12	4		
6	544 36 07-02	1		
7	537 17 19-06	1		
8	503 20 07-76	3		7
9	537 40 35-01	1		7
10	530 02 61-19	1		7
11	721 12 07-30	1		7
12	503 20 08-70	6		7
13	503 21 51-01	2		7
14	503 86 92-01	2		7
15	503 90 56-01	1		7
16	503 87 54-01	2		7
17	503 90 56-01	1		7
18	503 20 25-16	2		7
19	503 43 65-01	1		
20	503 89 24-01	1		
21	503 93 04-01	1		
22	503 90 59-01	1		
23	537 07 12-01	1		23
24	503 88 63-01	1		
25	544 33 10-01	1		
26	504 01 09-01	1		
27	504 07 15-04	1		7
28	503 93 66-01	1		
29	544 44 97-01	1		7
30	503 89 47-02	3		
31	503 88 86-01	1		
32	503 21 39-01	3		
33	537 28 15-01	1		
34	503 57 89-01	1		33
35	501 62 68-01	1		33
36	503 94 28-02	1	A = Set of gaskets	

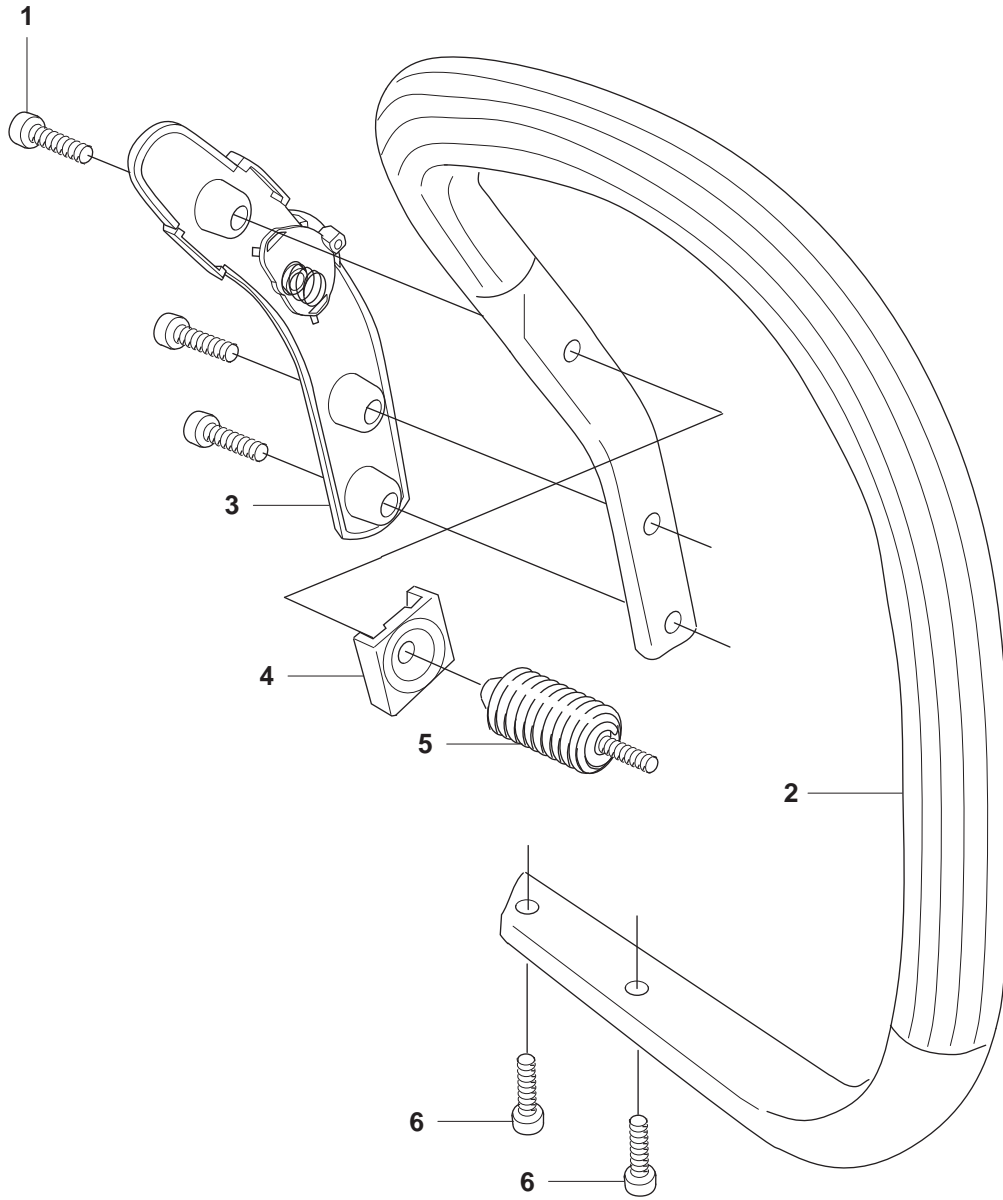
J

CS2153/CS2152 HANDLE & CONTROLS



Position	Article	Quantity	Notes	Kit
1	503 21 38-01	2	W-version	
2	503 92 61-02	1	W-version	
3	503 86 37-04	1		
4	544 32 49-20	1		
5	537 35 95-01	1		3
6	503 85 44-02	1		3
7	503 99 86-01	1		3
8	503 85 45-02	1		3
9	720 18 25-20	1		3
10	544 32 50-02	1		
11	503 44 32-01	1		
12	503 21 88-76	2		
13	503 85 41-01	2		
14	537 21 52-01	1	Std	
14	537 21 52-03	1	C-version	
15	503 57 89-01	1		14
16	537 21 50-01	1		14

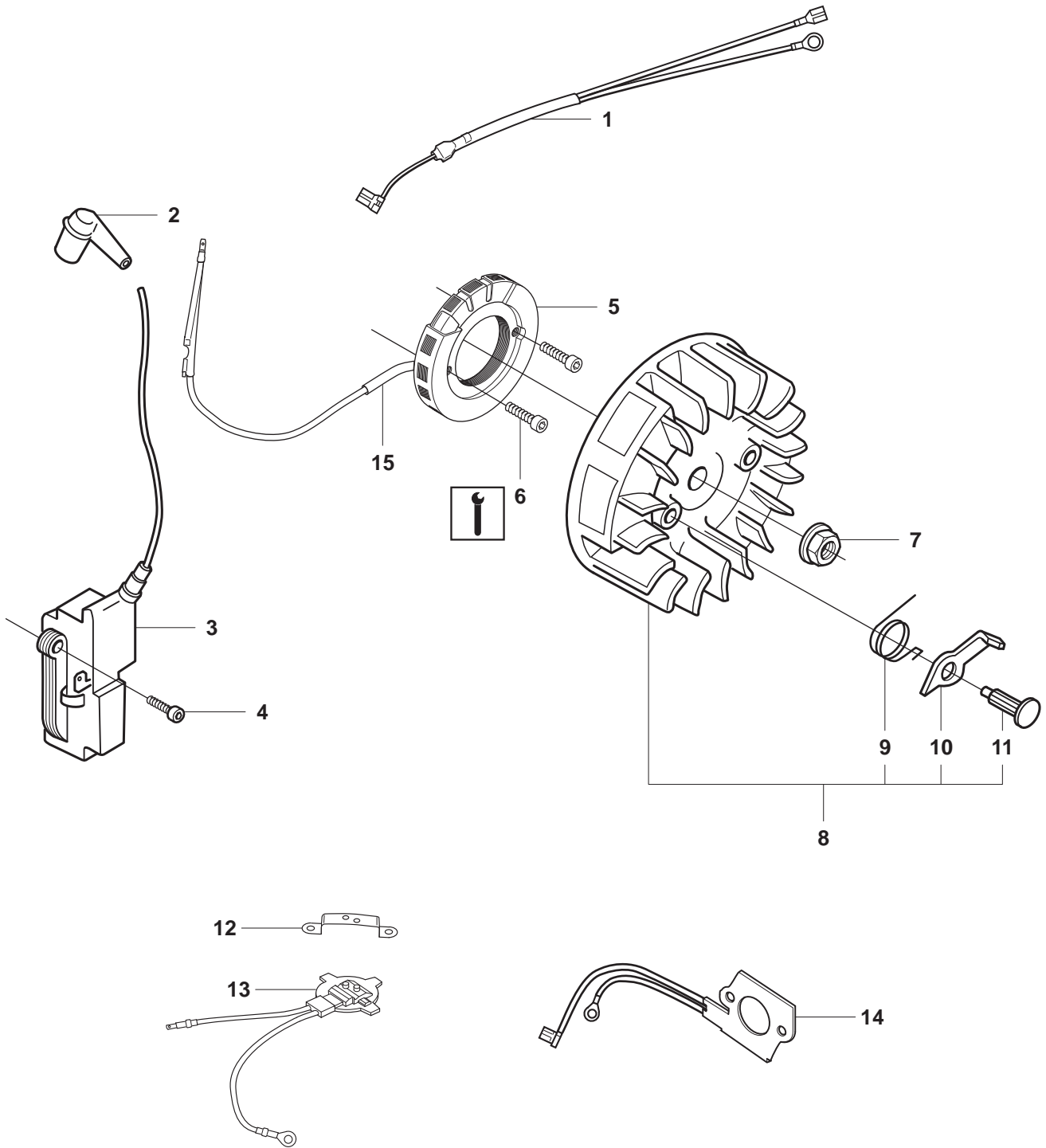
K CS2153/CS2152
HANDLE



Page K CS2153, CS2152		HANDLE		
Position	Article	Quantity	Notes	Kit
1	503 21 88-76	3		
2	537 30 19-01	1	Std-version	
2	537 30 19-02	1	W, WH-version	
3	537 32 68-02	1	W, WH-version	
4	503 92 24-02	1		
5	503 89 83-01	1		
6	503 21 88-72	2		

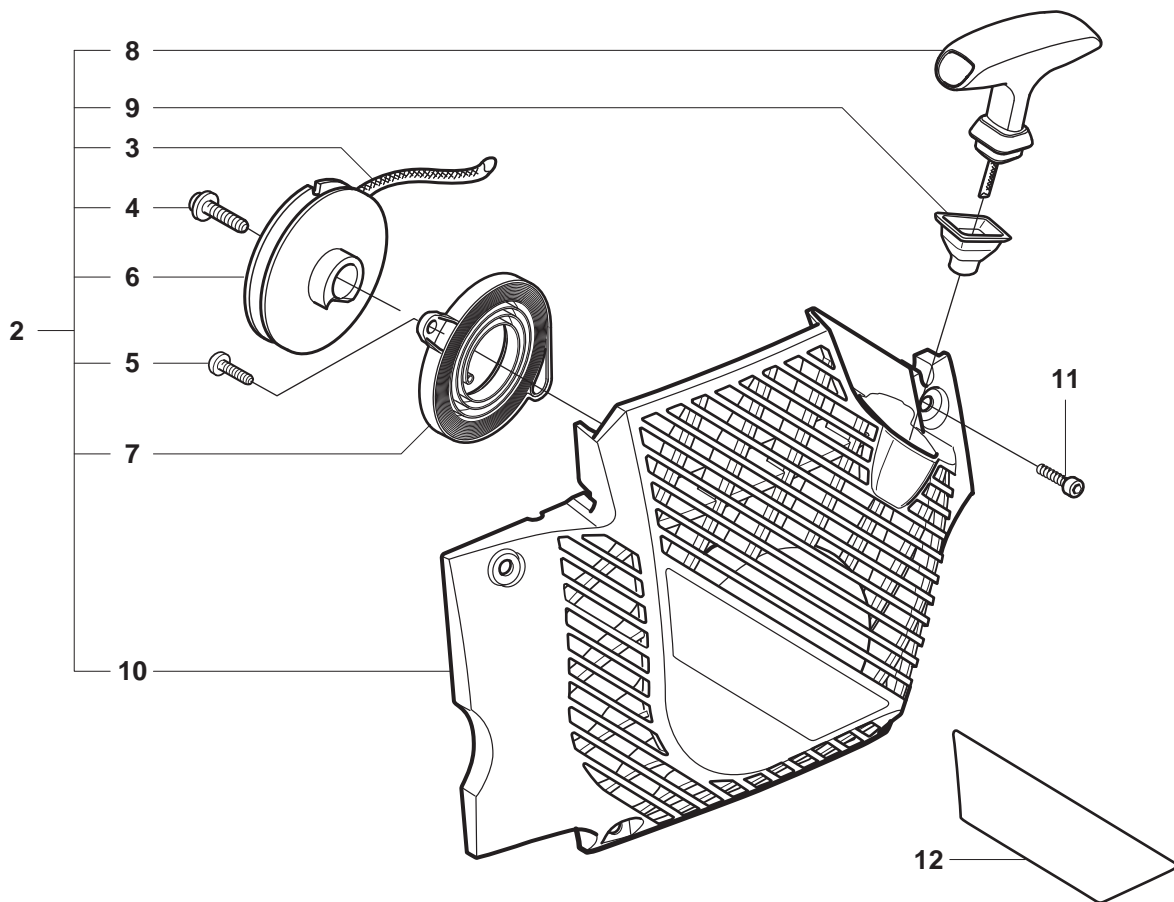
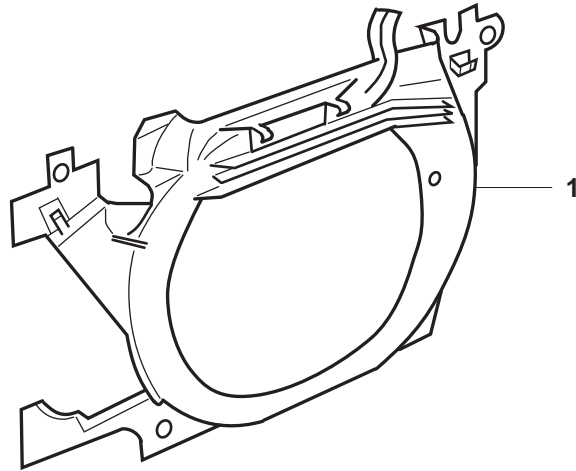


CS2153/CS2152
ELECTRICAL

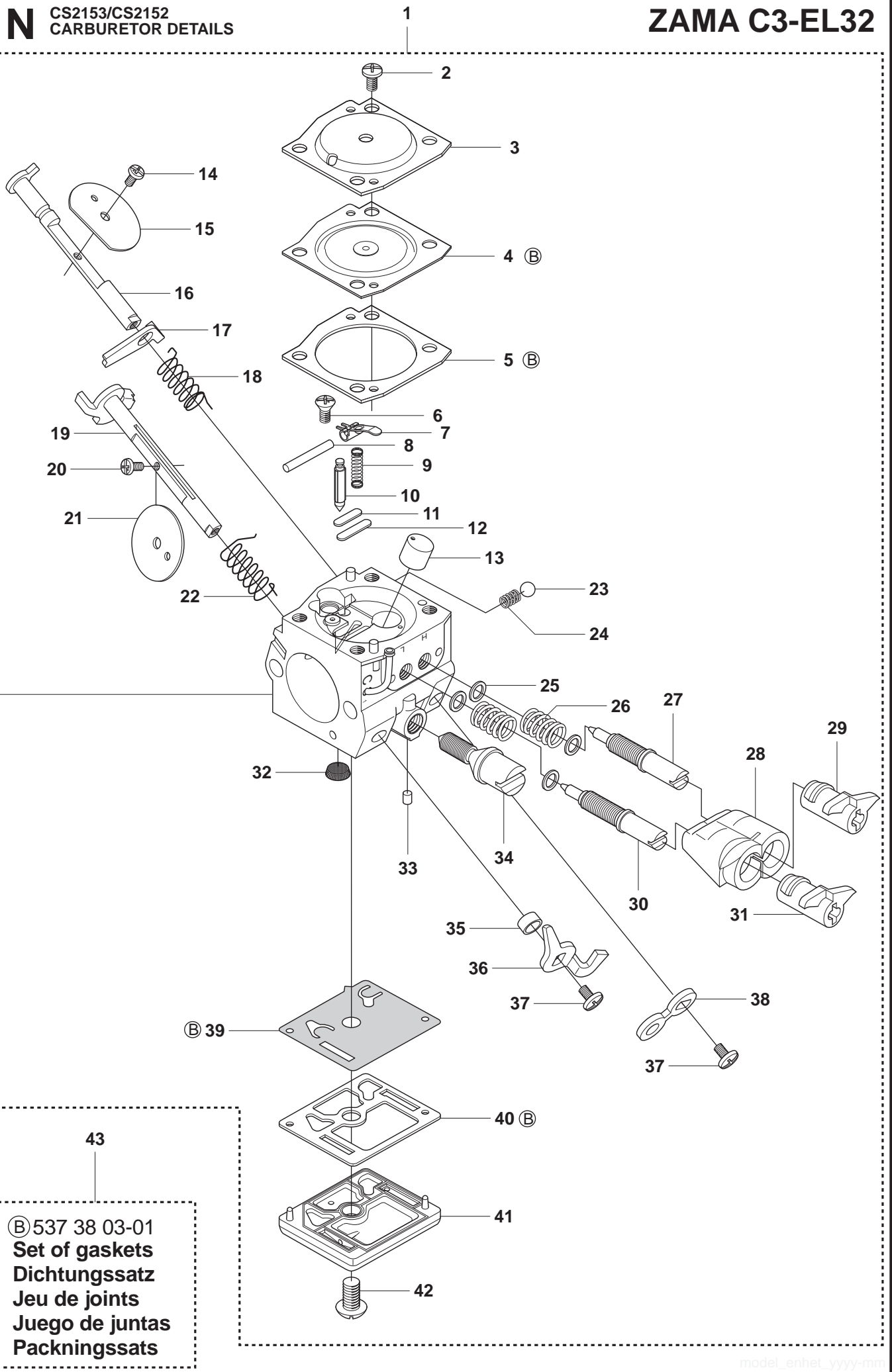


Page L CS2153, CS2152		ELECTRICAL		
Position	Article	Quantity	Notes	Kit
1	503 89 87-06	1	WH-version	
1	503 89 87-04	1	W-version	
2	501 48 54-02	1	compl	2
3	544 04 70-01	1	2152	
3	501 32 38-01	1	2153	
4	503 21 55-25	2		
5	537 33 02-01	1	W-version	
5	502 60 96-01	1	WH-version	
6	503 20 25-16	2		
7	503 22 04-01	1		
8	503 82 43-01	1	Std-version	
8	503 82 43-02	1	W-version	
8	503 82 43-03	1	WH-version	
9	503 78 32-01	2		8
10	503 89 50-01	2		8
11	503 79 05-02	2		8
12	537 06 04-02	1	WH-version	
13	501 98 63-01	1	WH-version	
14	504 04 32-01	1	WH-version	
15	504 04 35-01	1	WH-version	

M CS2153/CS2152
STARTER



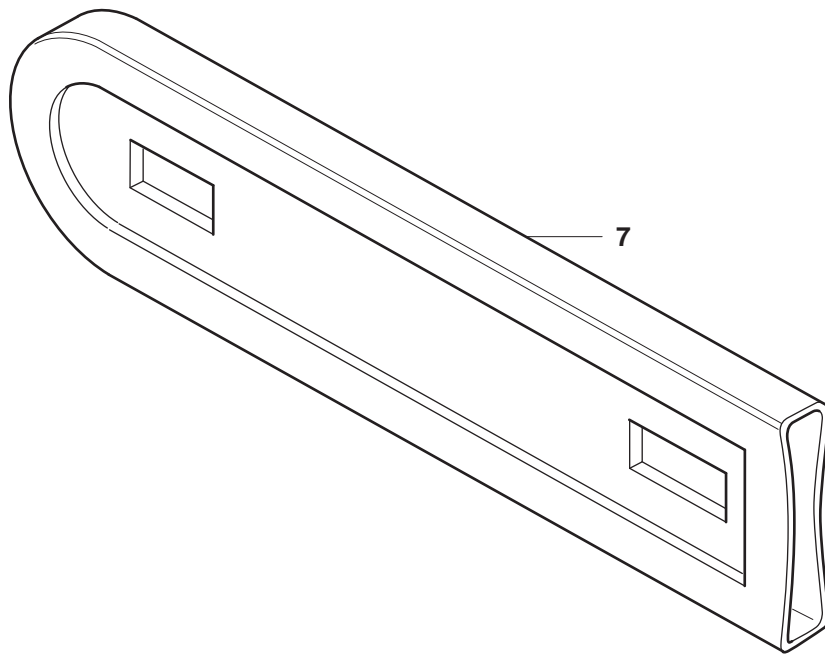
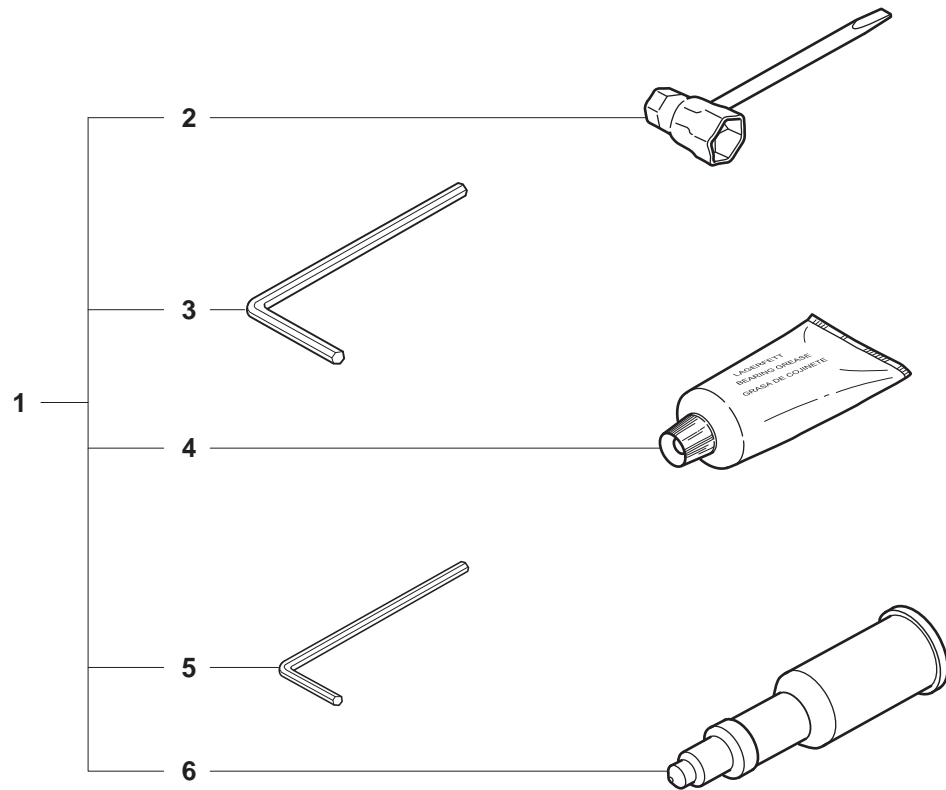
Page M CS2153, CS2152		STARTER		
Position	Article	Quantity	Notes	Kit
1	503 89 06-01	1		
2	503 99 58-02	1		
3	505 30 51-25	1		2
4	503 21 77-16	1		2
5	503 21 29-10	2		2
6	537 09 25-01	1		2
7	537 09 31-01	1		2
8	537 19 65-01	1		2
9	537 28 32-01	1		2
10	503 96 04-02	1		2
11	544 08 03-01	4		
12	537 00 62-11	1	CS 2152	
12	537 00 62-12	1	CS 2152 W	
12	537 00 62-13	1	CS 2152 C	
12	537 00 62-14	1	CS 2152 CWH	
12	537 00 62-15	1	CS 2152 WH	
12	537 00 62-24	1	CS 2153	
12	537 00 62-25	1	CS2153 CWH	
12	537 00 62-27	1	CS2153 C	



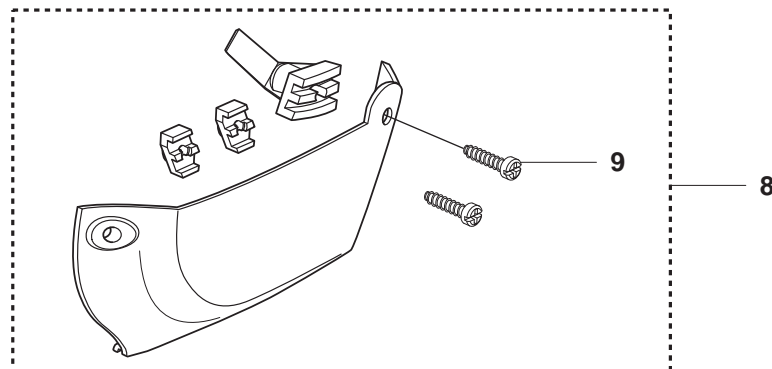
ⓑ 537 38 03-01
Set of gaskets
Dichtungssatz
Jeu de joints
Juego de juntas
Packningssats

Page N		CS2153, CS2152		CARBURETOR DETAILS	
Position	Article	Quantity	Notes	Kit	
1	503 28 32-10	1			
2	503 48 05-01	4			1
3	537 17 60-01	1			1
4	537 17 59-01	1			1, 43
5	503 88 44-01	1			1, 43
6	503 48 01-01	1			1
7	537 17 64-01	1			1
8	503 48 00-01	1			1
9	537 17 63-01	1			1
10	537 17 62-01	1			1
11	537 17 78-01	1			1
12	503 53 56-01	1			1
13	537 41 61-01	1			1
14	503 52 36-01	1			1
15	544 05 66-01	1			1
16	537 26 67-01	1			1
17	544 05 67-01	1			1
18	537 17 66-01	1			1
19	537 26 63-01	1			1
20	503 48 18-01	1			1
21	537 26 66-01	1			1
22	537 17 61-01	1			1
23	537 01 25-01	1			1
24	537 01 26-01	2			1
25	503 90 31-01	4			1
26	503 48 08-01	2			1
27	537 17 85-01	1			1
28	503 90 34-01	1			1
29	503 90 33-01	1			1
30	537 26 70-01	1			1
31	503 90 32-01	1			1
32	503 53 57-01	1			1
33	503 48 11-01	1			1
34	537 17 76-01	1			1
35	503 48 19-01	1			1
36	537 17 69-01	1			1
37	503 47 90-01	2			1
38	537 17 75-01	1			1
39	537 38 02-01	1			1, 43
40	503 61 66-01	1			1, 43
41	537 17 68-01	1			1
42	503 47 96-01	1			1
43	537 38 03-01	1	B = Set of gaskets		

P CS2153/CS2152
Tillbehör
Accessories
Zubehöre
Accessoires
Accesorios



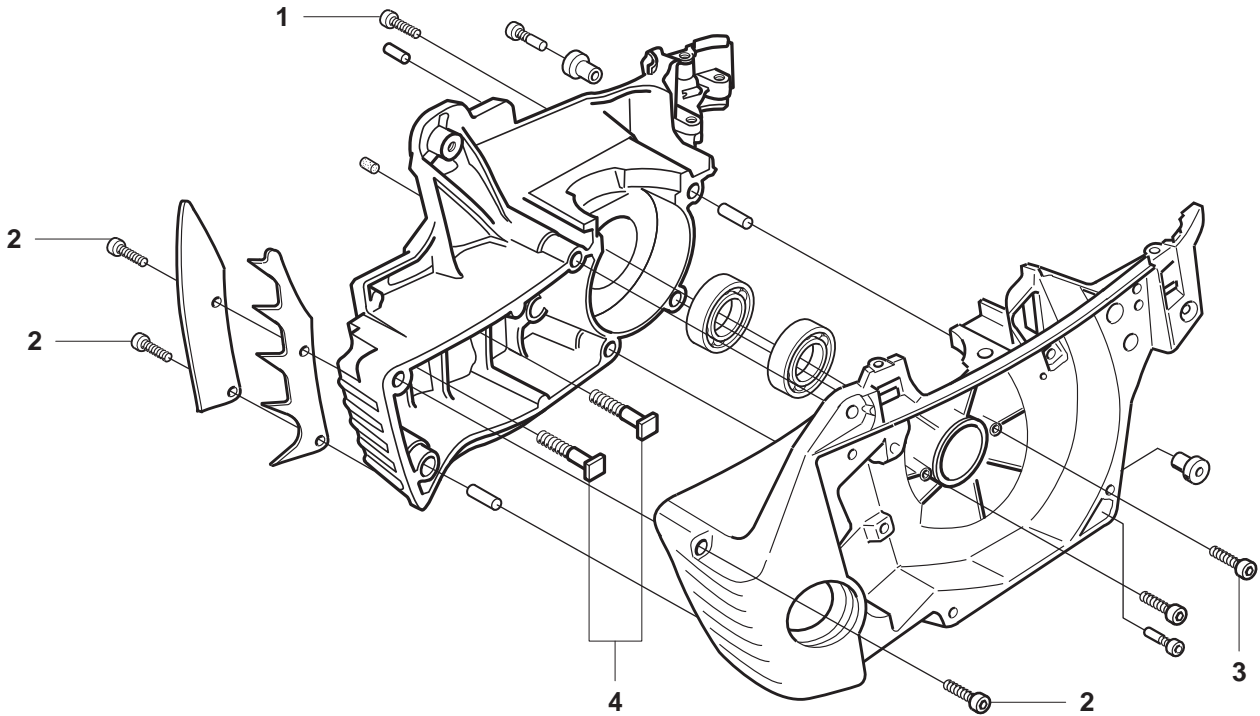
P WINTER KIT



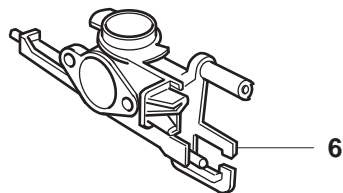
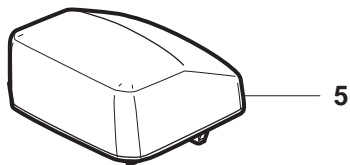
Page P CS2153, CS2152		ACCESSORIES		
Position	Article	Quantity	Notes	Kit
1	503 55 85-01	1		
2	501 69 17-01	1		1
3	503 55 86-02	1		1
4	503 62 12-01	1		1
5	503 55 86-01	1		1
6	501 91 14-01	1		1
7	501 83 44-02	1	13"-16"	1
7	501 83 44-05	1	18"-22"	1
8	537 16 25-01	1		
9	503 21 27-13	2		8



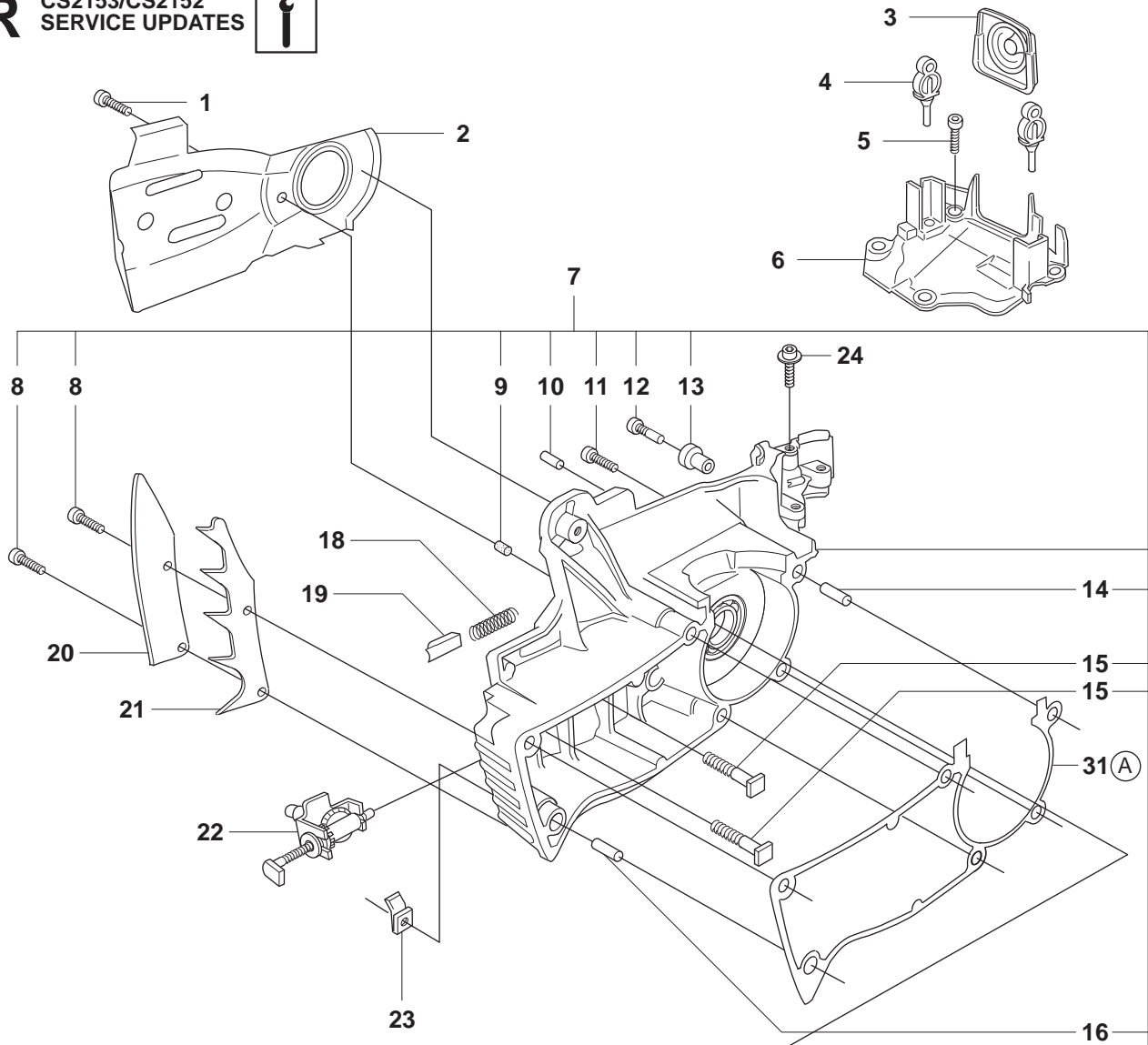
Up to 030500001 (CS2152)



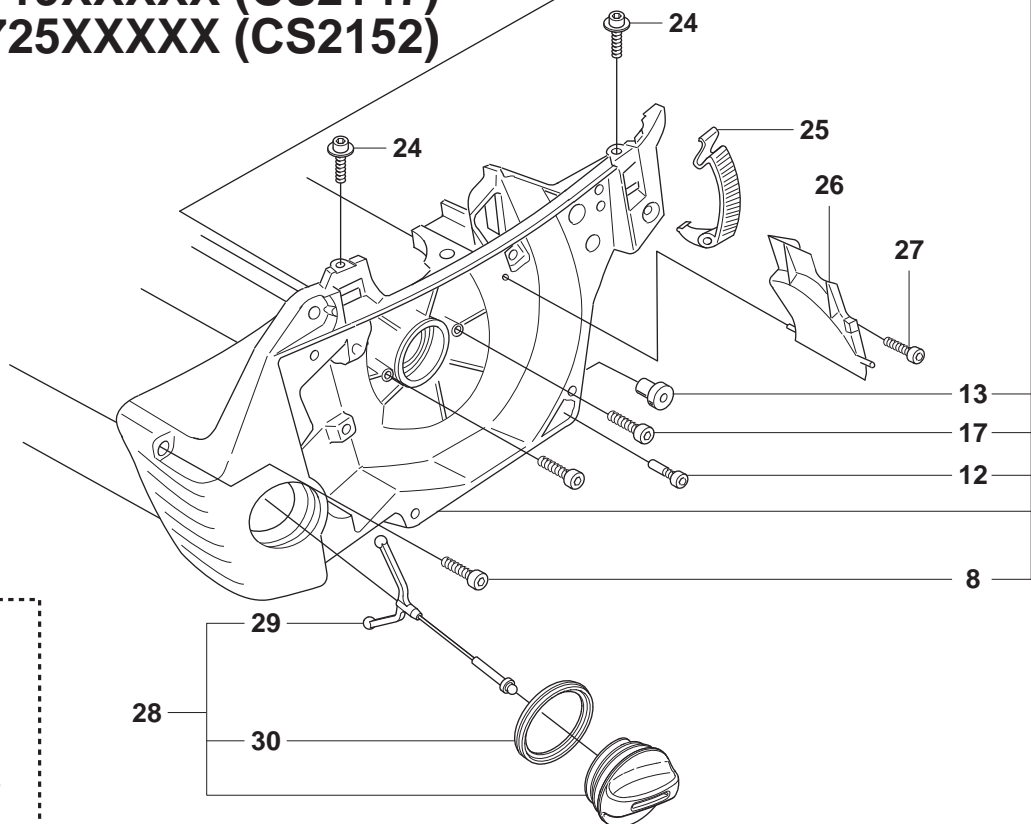
**Up to 033600001 (CS2147)
Up to 034200001 (CS2152)**



Position	Article	Quantity	Notes	Kit
1	503 21 74-32	6	mt5x32	
2	503 21 75-20	3	mt5x20	
3	503 21 71-16	2		
4	503 87 54-01	2		
5	537 02 40-01	1	NYLON 80my Black	
5	537 02 40-02	1	NYLON 44my Yellow	
5	537 02 40-03	1	FELT White	
6	503 86 94-01	1		



Up to 0719XXXXX (CS2147)
Up to 0725XXXXX (CS2152)



Ⓐ 503 94 28-02
Set of gaskets
Dichtungssatz
Jeu de joints
Juego de juntas
Packningssats

Page R CS2153, CS2152		SERVICE UPDATES		
Position	Article	Quantity	Notes	Kit
1	503 21 74-12	2		
2	503 87 56-01	1		
3	537 14 65-01	1		
4	503 86 93-01	2		
5	503 21 75-12	4		
6	503 89 66-04	1		
7	537 17 19-04	1		
8	503 20 07-76	3		7
9	537 04 03-01	1		7
10	721 12 07-30	1		7
11	503 20 08-70	6		7
12	503 21 51-01	2		7
13	503 86 92-01	2		7
14	503 90 56-01	1		7
15	503 87 54-01	2		7
16	503 90 56-01	1		7
17	503 20 25-16	2		7
18	503 43 65-01	1		
19	503 89 24-01	1		
20	503 93 04-01	1		
21	503 90 59-01	1		
22	537 07 12-01	1		
23	503 88 63-01	1		
24	503 21 39-01	3		
25	503 89 47-02	3		
26	503 88 86-01	1		
27	503 21 74-12	1		
28	537 28 15-01	1		
29	503 57 89-01	1		28
30	501 62 68-01	1		28
31	503 94 28-02	1	A = Set of gaskets	