

PARTS MANUAL

MODEL K361 - 18 HP

Engine Specs 23100 — 23126

How To Find Your Part Number

1 Refer to the Composite Exploded View on page 2 (Grid A2). It contains major engine components boxed and identified by Group Number. Examine these groups for your part. After you locate your part, record the Group Number.

If the part you need is not illustrated, locate a major engine component related to your part and use this component to identify the Group Number.

2 Obtain the Spec Number from the nameplate attached to the engine shrouding. Refer to the Spec Number Index beginning on page 3 (Grid A3). Listed vertically on the left are Spec Numbers. Listed horizontally across

the top are Group Numbers and their titles, Page and Grid Numbers.

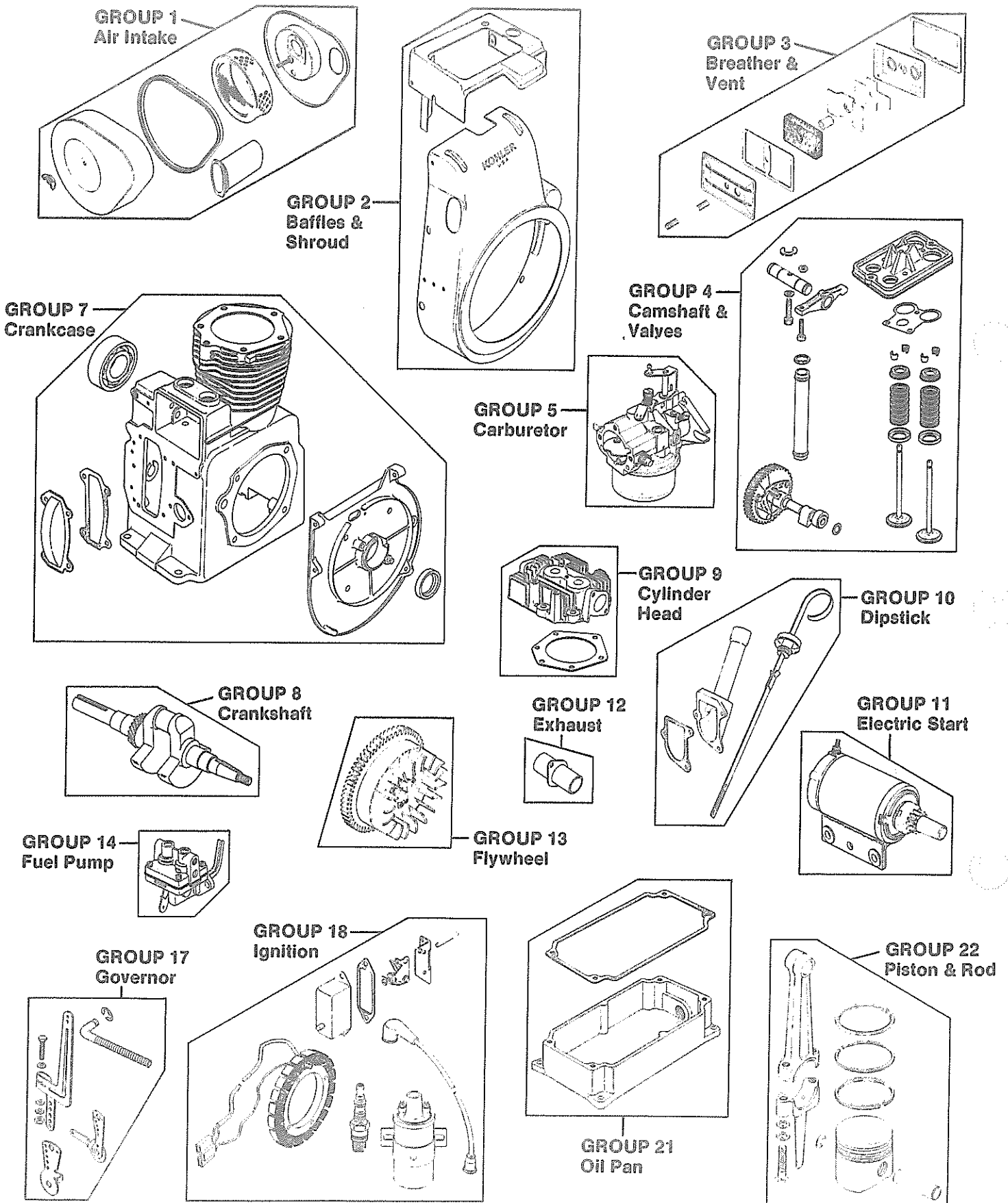
Locate your Spec Number. Follow horizontally from your Spec Number to the Group Number column. Where these two columns meet is the Variation Number of your part. Record that Variation Number.

3 Refer to the page (or grid) where your part is listed. Locate the part in the illustration, use its identifying index number to locate the part name in the listing. Find the Variation Number of your part in those listed below the part name. Your part number is listed to the right of the Variation Numbers.

Illustrations are not intended to show the exact detail for all variations covered.

Quantities greater than one are shown in parenthesis behind part description.

COMPOSITE EXPLODED VIEW



SPECIFICATION NUMBER INDEX

Group Title & Number	Air Intake	Baffles & Shrouds	Breather & Vent	Camshaft & Valves	Carburetor	Crankcase	Crankshaft	Cylinder Head	Dipstick	Electric Start	Exhaust	Flywheel	Fuel Pump	Governor	Ignition	Oil Pan	Piston & Rod	Gasket Sets
	1	2	3	4	5	7	8	9	10	11	12	13	14	17	18	21	22	39
Page	4	5	6	7	8	9	10	10	11	12	13	14	14	15	16	17	17	18
Grid	A4	A5	A6	A7	A8	A9	A10	A10	A11	A12	A13	A14	A14	B1	B2	B3	B3	B4

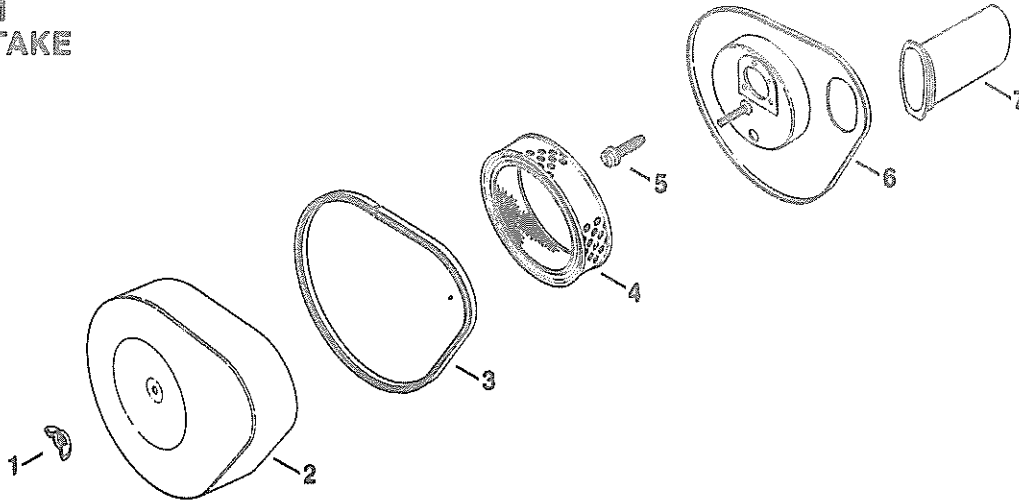
Spec. No.	Variation Number																	
23100	32	37	4	6	26	42	2	17	32	1	17	32	20	32	60	1	4	1
23104	32	37	4	6	26	41	1	17	32	1	16	44	30	34	60	1	4	1
23107	32	45	4	6	26	42	2	17	2	14	17	54	31	32	65	2	4	1
23108	32	37	4	6	32	42	1	17	32	1	18	47	20	34	60	1	4	1
23110	32	55	4	6	34	42	2	17	32	14	15	69	20	36	62	2	4	1
23116	32	37	4	6	26	42	32	17	32	1	17	32	20	32	60	1	4	1
23119	32	37	4	6	26	41	1	17	32	1	16	72	30	34	60	1	4	1
23121	32	37	4	6	26	42	32	17	32	1	18	32	20	32	82	1	4	1
23123	32	37	4	12	32	42	1	23	32	1	99	47	20	34	60	1	4	1
23124	32	37	4	12	32	38	2	23	31	1		21	36	36	83	13	4	1
23125	32	37	4	6	26	42	32	17	32	1	23	73	30	32	60	1	4	1
23126	32	37	4	6	26	41	2	17	32	1	16	32	30	34	60	1	4	1

Contact your Kohler engine parts supplier for any specifications not listed.

For Miniblocks and Short Blocks refer to Selection Guide TP-2062-A.

K361

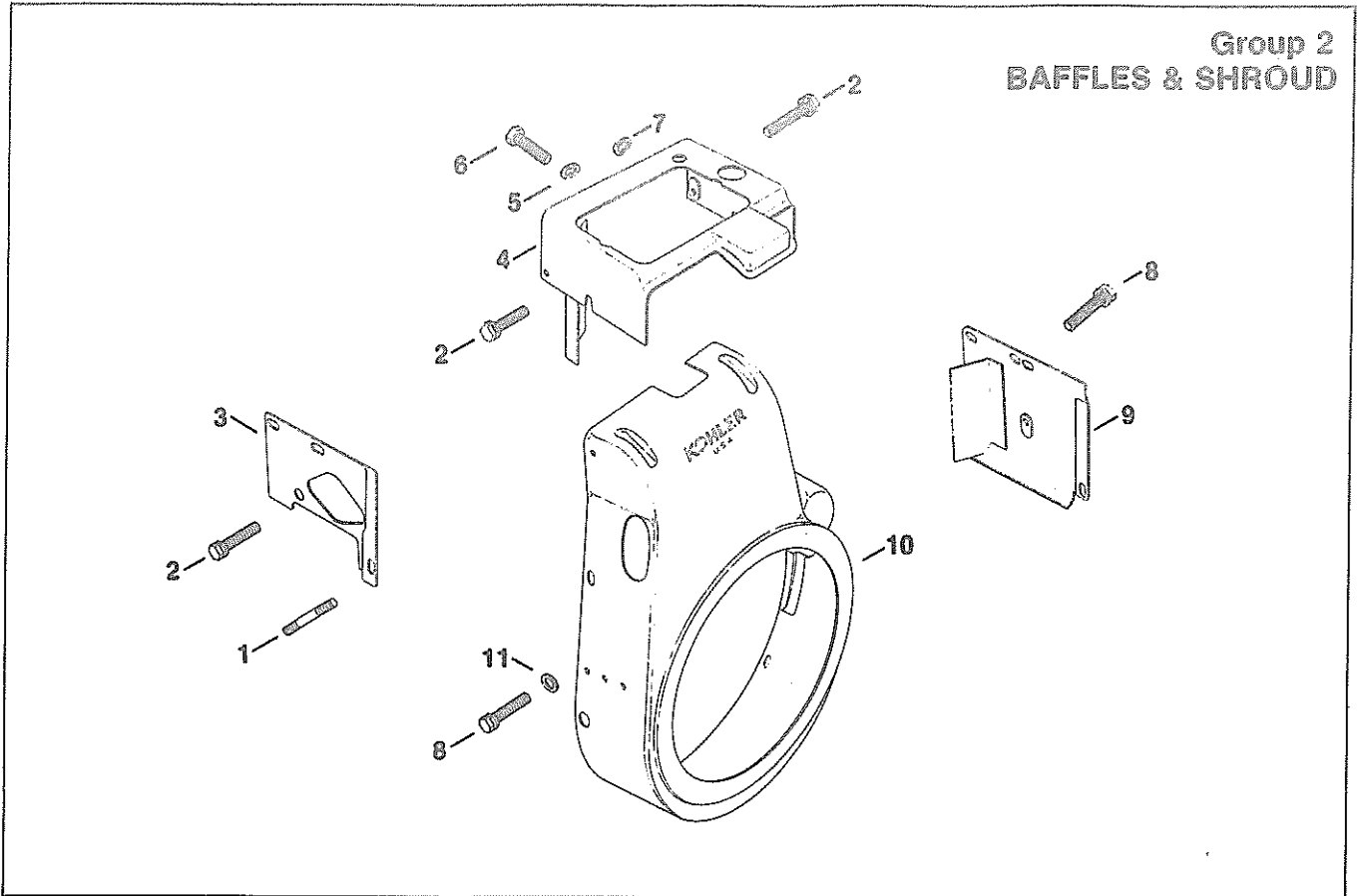
Group 1 AIR INTAKE



Index Number	Description Variation Number	Part Number	Index Number	Description Variation Number	Part Number
1	Nut, wing 1/4-20 32	X-276-7	5	Screw, H.C. 10-32 x 9/16 (3) 32	X-67-93
2	Cover, air cleaner 32	47 082 03	6	Base, air cleaner 32	47 094 08
3	Seal 32	47 032 03	7	Tube 32	47 134 02
4	Element, air cleaner 32	47 083 03			

K361

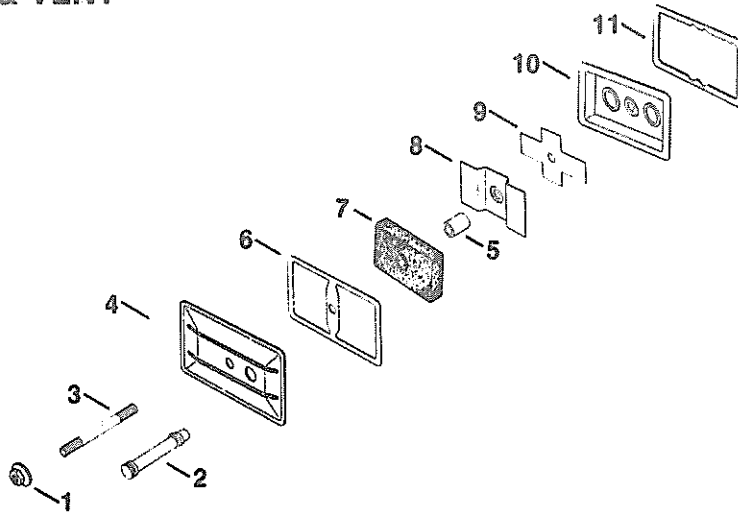
Group 2 BAFFLES & SHROUD



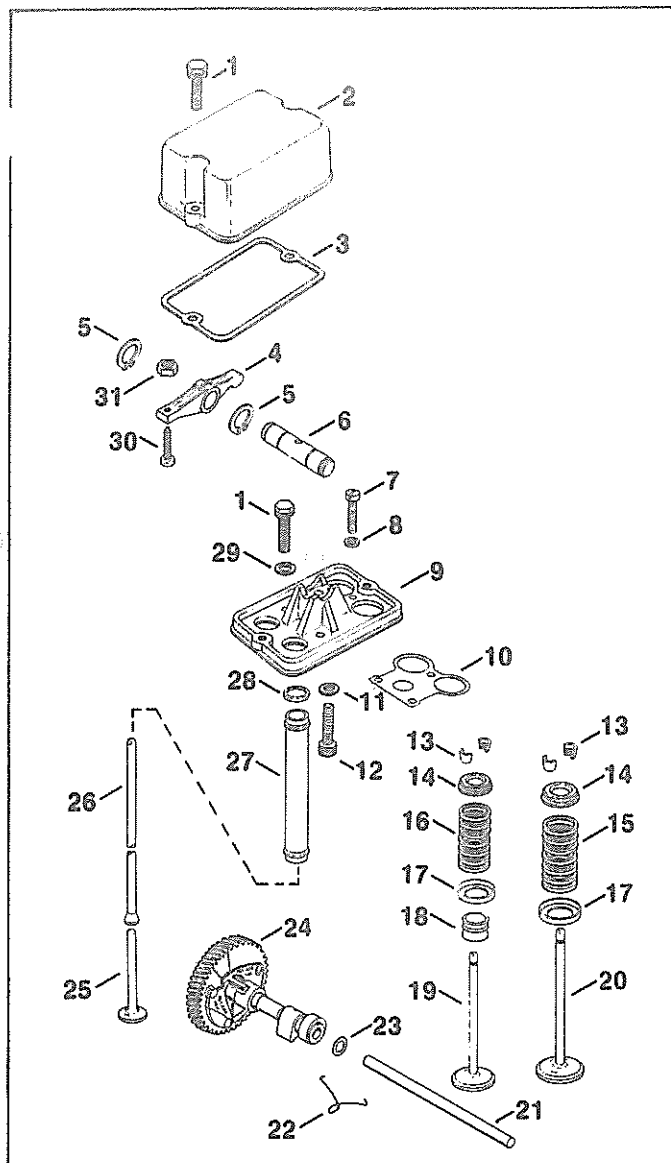
Index Number	Description Variation Number	Part Number	Index Number	Description Variation Number	Part Number
1	Stud, 5/16-18 55	235899	7	Washer, split lock 5/16 37, 45	X-21-1
2	Screw, H.C. 1/4-20 x 1/2 (4) 37, 45, 55	X-132-6	8	Screw, H.C. 1/4-20 x 3/4 (5) 37, 45, 55	X-132-2
3	Baffle, side air 37, 45, 55	45 063 05	9	Baffle, cylinder 37, 45, 55	45 063 06
4	Baffle, head 37, 45, 55	45 124 02	10	Housing, blower 37, 55	45 027 01
5	Washer 37, 45, 55	X-25-52	10	Housing, blower 45	45 027 03
6	Screw, H.C. 5/16-18 x 1/2 37, 45	X-6-1	11	Washer, plain 1/4 (2) 37, 45	X-25-72

K361

Group 3 BREATHER & VENT



Index Number	Description	Part Number	Index Number	Description	Part Number
	Variation Number			Variation Number	
1	Palnut, 1/4-20		7	Filter, breather	
	4	X-799-1	4		47 050 01
2	Hose, breather		8	Baffle, breather	
	4	47 326 01	4		270146
3	Stud, valve cover		9	Reed, breather	
	4	275220	4		235047
4	Cover, valve		10	Plate, breather	
	4	47 096 01	4		235631
5	Seal, breather		11	Gasket, breather plate	
	4	231032	4		235048
6	Gasket, valve cover				
	4	275144			



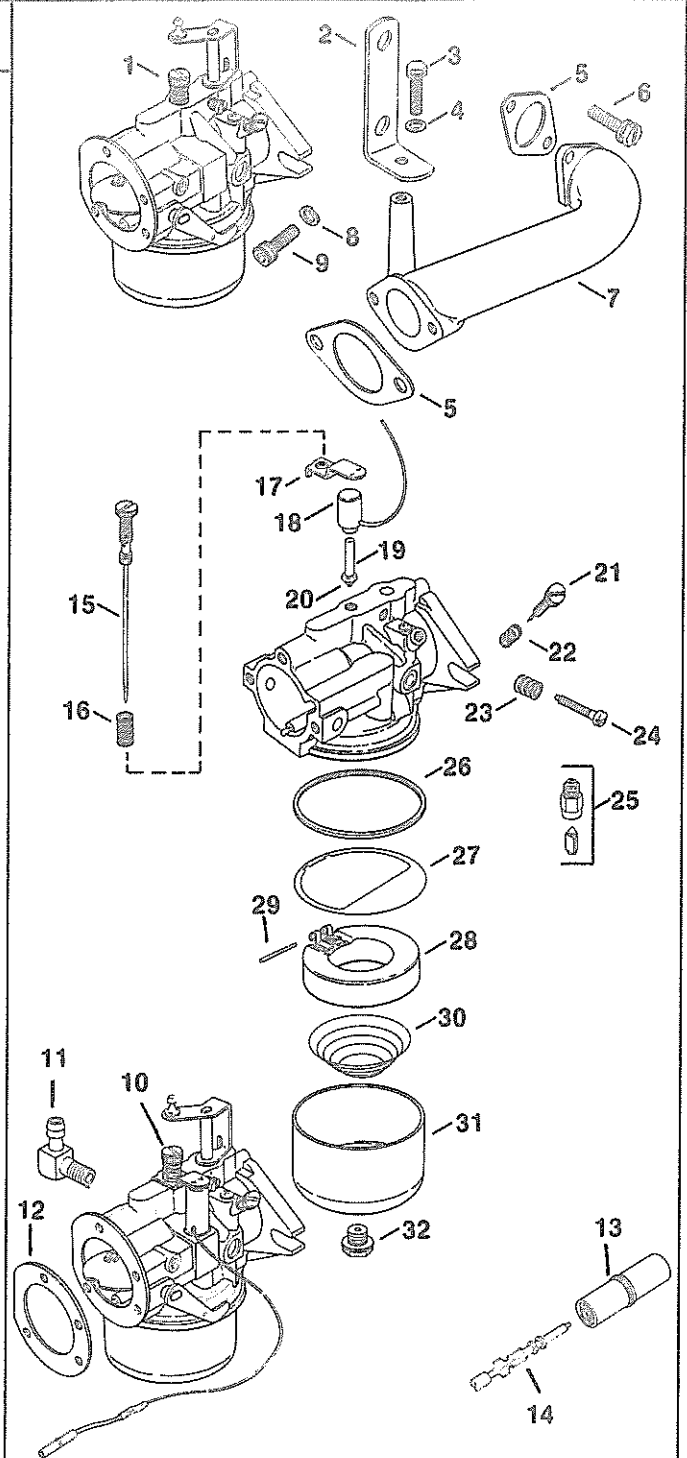
Index Number	Description Variation Number	Part Number
8	Washer, plain 5/16 <i>Use after Serial No. 10137903</i>	
	6	X-25-44
9	Housing, rocker arm 6 <i>Before Serial No. 10137904 use 45 081 03</i> <i>After Serial No. 10137903 use 45 081 04</i>	
9	Housing, rocker arm 12	45 081 04
10	Gasket, rocker arm housing <i>(Replaced by 45 041 14)</i> 6 <i>Before Serial No. 10137904 use 45 041 08</i> <i>After Serial No. 10137903 use 45 041 13</i>	
10	Gasket, rocker arm housing <i>(Replaced by 45 041 14)</i> 12	45 041 13
11	Washer, plain 6, 12	45 114 01
12	Screw, hex. socket hd. 5/16-18 x 1 6, 12	X-55-14
13	Kit, retainer 6, 12	41 755 10
14	Rotator, valve (2) 6, 12	230020
15	Spring, intake valve <i>(Replaced by 45 020 02)</i> 6, 12	45 020 01
16	Spring, exhaust valve <i>(Replaced by 45 020 02)</i> 6, 12	45 020 01
17	Retainer, spring (2) 6, 12	235011
18	Seal, exhaust valve stem 12	45 032 01
19	Valve, exhaust 6 <i>Before Serial No. 10137904 use 45 016 01</i> <i>After Serial No. 10137903 use 45 016 02</i>	
19	Valve, exhaust 12	45 016 02
20	Valve, intake 6, 12	45 017 01
21	Pin, camshaft 6, 12	235193
22	Spring, actuating 6, 12	47 089 01
23	Spacer, camshaft .005 (A.R.) 6, 12	275066
23	Spacer, camshaft .010 (A.R.) 6, 12	275067
24	Camshaft - assembly <i>Includes actuating spring</i> 6, 12	45 010 05
25	Tappet (2) 6, 12	45 019 01
26	Push rod (2) 6, 12	45 411 05
27	Push rod tube (2) 6, 12	45 123 07
28	Push rod tube "O" ring (2) 6, 12	45 153 01
29	Washer, plain 1/4 6 <i>Before Serial No. 10137904 use X-25-72 (3)</i> <i>After Serial No. 1013903 use X-25-72 (2)</i>	
29	Washer, plain 1/4 (2) 12	X-25-72
30	Screw, valve adjusting (2) 6, 12	45 086 02
31	Nut, hex. 1/4-20 (2) 6, 12	X-81-1

Index Number	Description Variation Number	Part Number
1	Screw, H.C. 1/4-20 x 1 6 <i>Before Serial No. 10137904 use X-132-4 (5)</i> <i>After Serial No. 10137903 use X-132-4 (4)</i>	
1	Screw, H.C. 1/4-20 x 1 (4) 12	X-132-4
2	Cover, rocker arm housing 6, 12	45 096 07
3	Gasket, rocker arm hsg. cover 6, 12	45 041 09
4	Arm, rocker - assembly (2) <i>Includes valve adj. screw and nut</i> 6, 12	45 187 01
5	Ring, retaining (4) 6, 12	X-269-17
6	Shaft, rocker arm 6, 12	45 144 13
7	Screw, H.C. 5/16-18 x 1-1/4 12	X-154-4
7	Screw, H.C. 5/16-18 x 1-1/4 <i>Use After Serial No. 10137903</i> 6	X-154-4
8	Washer, plain 5/16 12	X-25-44

**Group 5
CARBURETOR**

K361

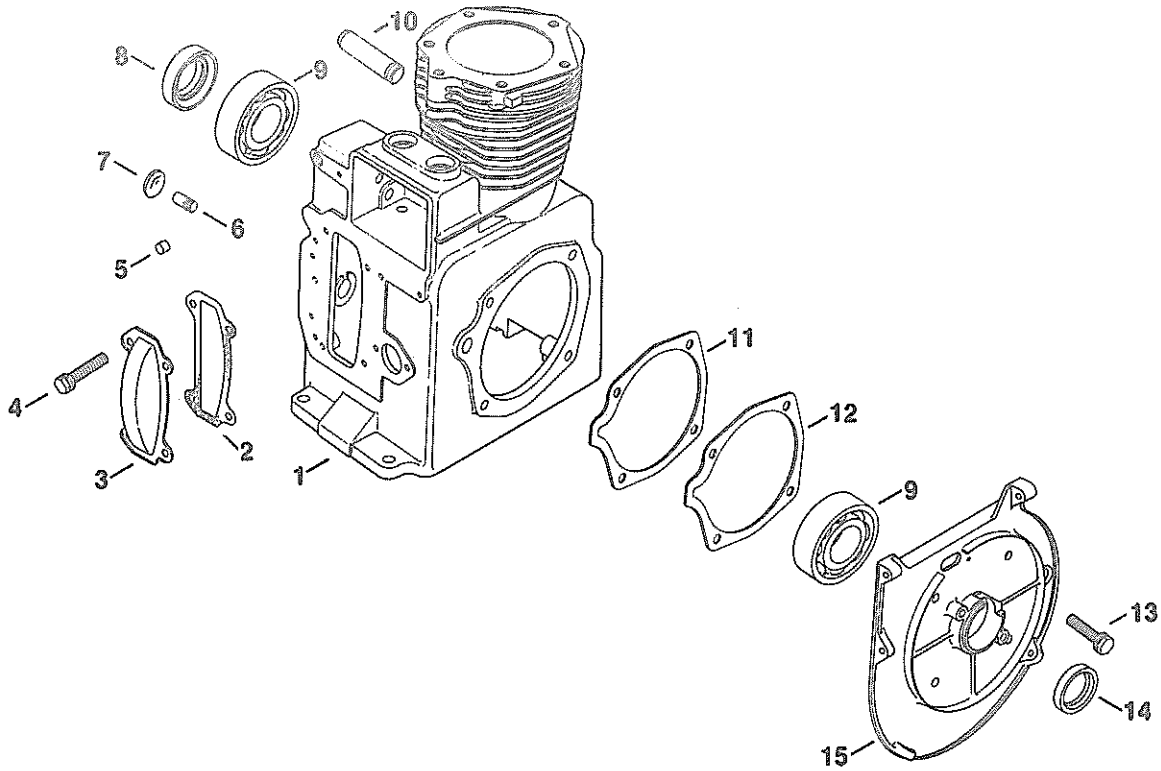
Index Number	Description Variation Number	Part Number
1	Carburetor - assembly <i>Includes 15, 16, 21 thru 29, 31 & 32</i>	45 053 36
1	Carburetor - assembly <i>Includes 15, 16, 21 thru 32</i>	45 053 40
2	Bracket, carburetor elbow 26, 32, 34	45 126 13
3	Screw, H.C. 1/4-20 x 3/4 26, 32, 34	X-132-2
4	Washer, plain 26, 32, 34	X-25-53
5	Gasket (2) 26, 32, 34	271030
6	Screw, sltd. hd. (2) 26, 32, 34	X-770-1
7	Elbow, carburetor 26, 32, 34	45 054 06
8	Washer, lock (2) 26, 32, 34	X-21-1
9	Screw (2) 26, 32, 34	X-55-14
10	Carburetor - assembly <i>Includes 13 thru 29, 31 & 32</i>	45 053 39
11	Connector, hose 26, 32, 34	X-391-1
12	Gasket, air horn 26, 32, 34	47 041 05
13	Plug 34	236977
14	Socket 34	236976
15	Needle, main fuel adj. 26, 32, 34	45 103 02
16	Spring, main fuel 26, 32, 34	200383
17	Bracket, solenoid 34	45 126 12
18	Kit, solenoid <i>Includes 19 & 20</i>	41 755 12
19	Plunger, solenoid 34	41 385 01
20	Ring, "O" 34	41 141 03
21	Needle, idle fuel adj. 26, 32, 34	275231
22	Spring, idle fuel 26, 32, 34	200380
23	Spring, idle speed 26, 32, 34	232555
24	Screw, idle speed adj. 26, 32, 34	232556
25	Needle & seat, fuel inlet <i>* Included in carburetor repair kit 221519</i>	
26	Gasket, bowl 26, 32, 34	200375*
27	Gasket, bowl baffle <i>Included in 25 757 03 float kit (Replaced by 25 041 02)</i>	200439*
28	Float <i>(Replaced by 25 757 03 kit)</i>	200408



Index Number	Description Variation Number	Part Number
29	Pin, float hinge 26, 32, 34	200376*
30	Spring, float support 32	237917
31	Bowl, fuel 26, 32, 34	235448
32	Screw, bowl retainer 26, 32, 34	47 100 06
	Kit, carburetor repair <i>(Replaced by 25 757 02)</i>	221519

*Included in carburetor repair kit 221519

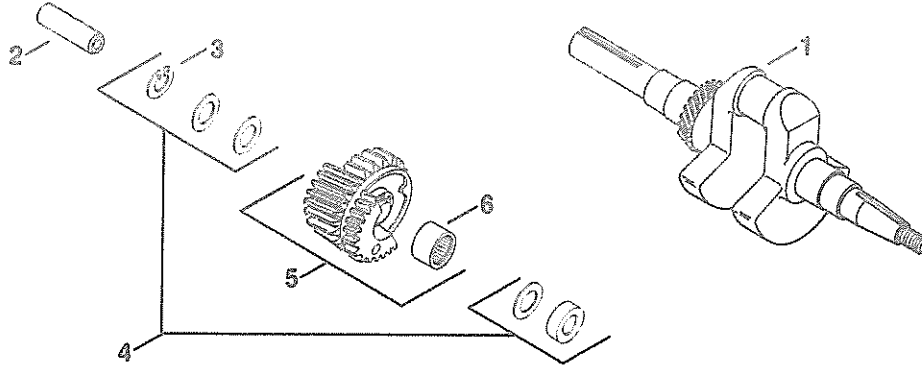
Group 7
CRANKCASE



Index Number	Description Variation Number	Part Number	Index Number	Description Variation Number	Part Number
1	Cylinder Block <i>Service with a SHORTBLOCK or MINIBLOCK. Refer to K361 Selection Guide TP-2062-A.</i>		8	Seal, rear oil <i>(Replaced by 47 032 07)</i> 38, 41, 42	X-379-9
2	Gasket, camshaft cover 38, 41, 42	235025	9	Bearing, ball (2) 38, 41, 42	235376
3	Cover, camshaft 38, 41, 42	235026	10	Shaft, balance gear (2) 38, 41, 42	236559
4	Screw, H.C. 1/4-20 x 1/2 (4) 38, 41, 42	X-132-6	11	Gasket, bearing plate (A.R.) 38, 41, 42	235070
5	Bearing 38, 41, 42	234866	12	Gasket, bearing plate 38, 41, 42	235757
6	Shaft, governor 38, 41, 42	235125-S	13	Screw, H.C. 3/8-16 x 1 (4) 38, 41, 42	X-159-2
7	Plug, expansion 38, 41, 42	X-230-11	14	Seal, front oil <i>(Replaced by 47 032 06)</i> 38, 41, 42	X-271-30
			15	Plate, bearing 38, 41, 42	45 156 02

K361

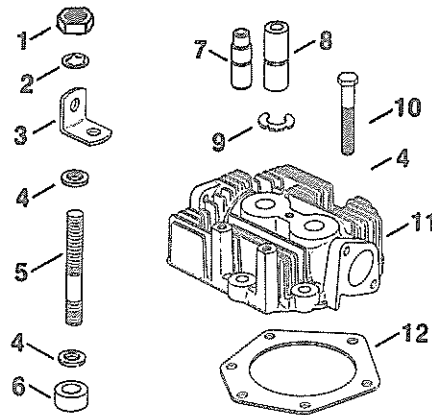
Group 8 CRANKSHAFT



Index Number	Description Variation Number	Part Number	Index Number	Description Variation Number	Part Number
1	Crankshaft (Replaced by 45 014 01)		4	Kit, spacer (2) Includes retainer	
1	1	45 014 08		1, 2, 32	47 755 01
1	Crankshaft		5	Gear - assembly (2) Includes needle bearing	
1	2	45 014 01		1, 2, 32	
1	Crankshaft			Before Serial No. 9641311 use	A-236507
2	32	45 014 18		After Serial No. 9641310 use	47 042 01
2	Shaft, balance gear (2)		6	Bearing, needle (2)	
	1, 2, 32	236559		1, 2, 32	
3	Retainer, .465/.450 I.D. (2)			Before Serial No. 9641311 use	236506
	1, 2, 32	X-269-34		After Serial No. 9641310 use	47 030 01

Group 9 CYLINDER HEAD

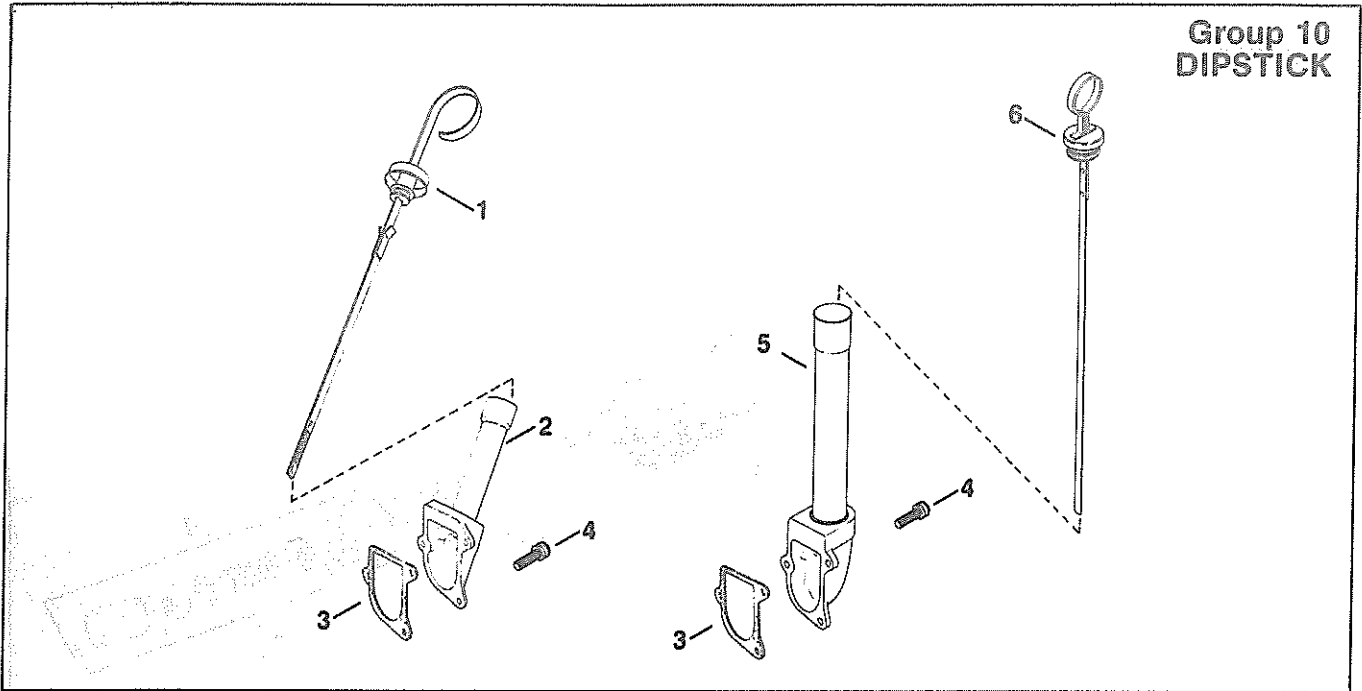
Index Number	Description Variation Number	Part Number
1	Nut, hex. hd. 3/8-16 17, 23	X-83-2
2	Washer, I.T. 3/8 17, 23	X-22-10
3	Strap, lifting 17, 23	47 445 01
4	Washer 17	
	Before Serial No. 10137904 use	270889 (7)
	After Serial No. 10137903 use	270889 (6)
4	Washer (6) 23	270889
5	Stud, 3/8-16 x 4-1/8 17, 23	X-352-27
6	Spacer 17, 23	X-400-11-1
7	Guide, exhaust valve (Replaced by 45 755 11 kit) Use After Serial No. 10137903	
	17	45 316 04
7	Guide, exhaust valve (Replaced by 45 755 11 kit)	
	23	45 316 04
8	Guide, valve 17	
	Before Serial No. 10137904 use	45 316 02 (2)
	After Serial No. 10137903 use	45 316 02 (1)
8	Guide, intake valve 23	45 316 02



Index Number	Description Variation Number	Part Number
9	Ring, retaining (2) 17, 23	X-269-39
10	Screw, H.C. (5) 17, 23	270721
11	Head, cylinder 17	
	Before Serial No. 10137904 use	45 755 10
	After Serial No. 10137903 use	45 316 04
11	Head, cylinder 23	45 316 04
12	Gasket, cylinder head 17, 23	45 052 02

K361

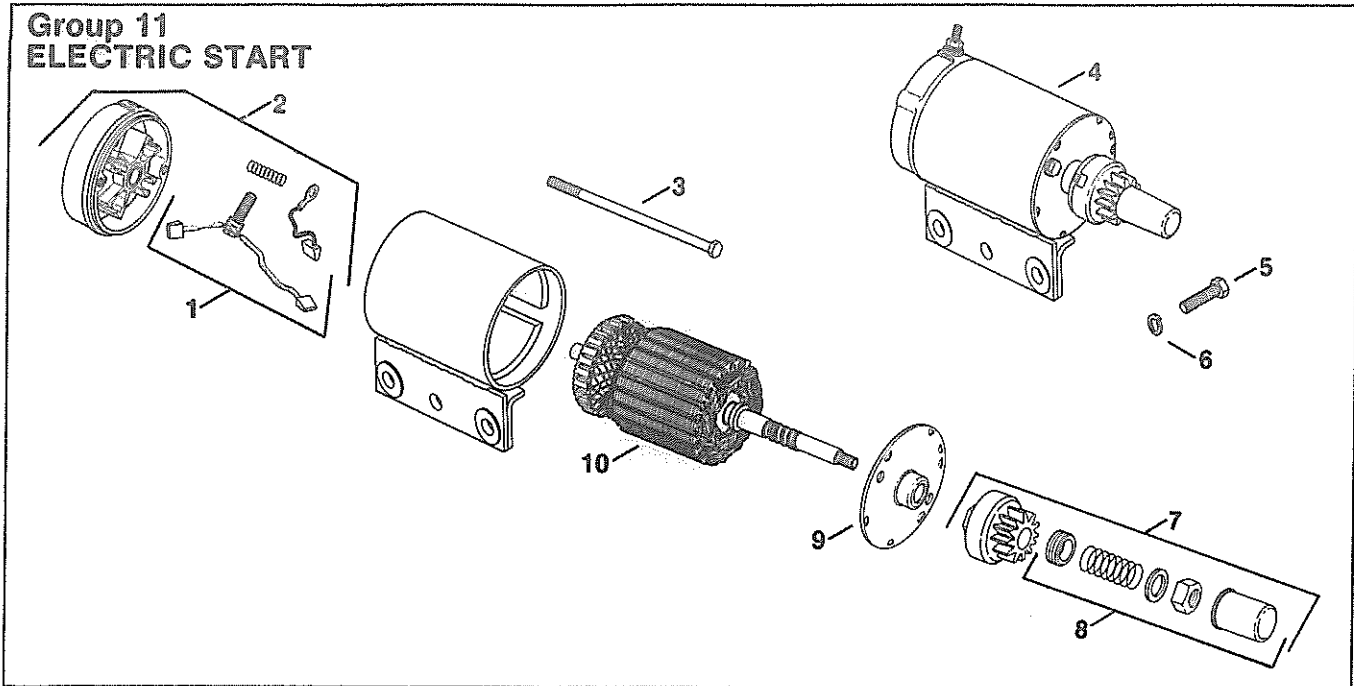
Group 10 DIPSTICK



Index Number	Description Variation Number	Part Number	Index Number	Description Variation Number	Part Number
1	Dipstick 10-1/4" 2	237015	5	Tube, oil fill 9" 17, 18	
2	Tube, oil fill 4-1/16" (Replaced by 47 538 01) 2	236960	6	Dipstick 14" 18	
3	Gasket 2, 17, 18	237064			Before Serial No. 12080436 use 47 180 03 After Serial No. 12080435 use 47 180 04
4	Washer, I.T. #10 (3) 2, 17, 18	X-22-9	6	Dipstick 13" 17	
4	Screw, R.H. 10-24 x 7/16 (3) 2, 17, 18	X-131-2			Before Serial No. 12080436 use 47 038 03 After Serial No. 12080435 use 47 038 16

K361

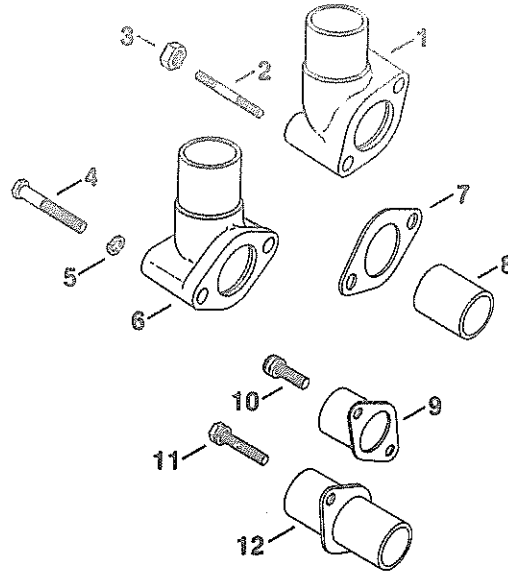
Group 11 ELECTRIC START



Index Number	Description Variation Number	Part Number	Index Number	Description Variation Number	Part Number
1	Kit, brush & spring 1, 14	48 755 15	6	Washer, split lock 3/8 (2) 1, 14	X-22-1
2	Cap, commutator end 1, 14	48 227 04	7	Kit, drive 1	47 755 07
3	Thru bolt w/washers (2) 1, 14	237649	7	Kit, drive 14	47 749 02
4	Starter - assembly 1	45 098 07	8	Kit, drive parts 1, 14	47 755 13
4	Starter - assembly 14	45 098 06	9	Cap, drive end 1, 14	237650
5	Screw, H.C. 3/8-16 x 11/32 (2) 1, 14	234948	10	Armature 1, 14	45 170 02

K361

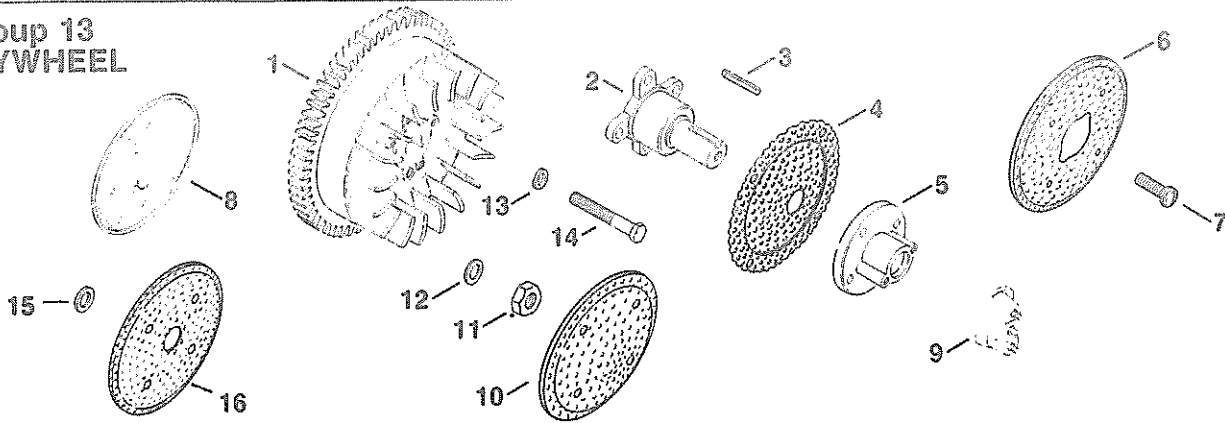
Group 12 EXHAUST



Index Number	Description Variation Number	Part Number	Index Number	Description Variation Number	Part Number
1	Elbow, exhaust 17	45 054 08	9	Elbow, exhaust 18	
2	Stud, 5/16-18 x 3 (2) 17	232810		<i>Before Serial No. 10137904 use</i>	45 054 10
3	Nut, hex. 5/16-18 (2) 17	X-82-2		<i>After Serial No. 10137903 use</i>	45 534 02
4	Screw, H.C. 5/16-18 x 2-1/2 (2) 16	X-6-33	9	Elbow, exhaust 23, 99	45 534 02
5	Washer, split lock 5/16 (2) 16, 17	X-21-1	10	Screw, hex. socket hd. 5/16-18 x 1 (2) 18	
6	Elbow, exhaust 16	45 054 09		<i>Before Serial No. 10137904 use</i>	X-55-14
7	Gasket, exhaust elbow 15, 16, 17, 18, 23, 99	45 041 12		<i>After Serial No. 10137903 use</i>	45 086 03
8	Tube, exhaust 16, 17	45 123 11	10	Screw, hex. socket hd. 5/16-18 x 1 (2) 23, 99	45 086 03
8	Tube, exhaust 18		11	Screw, H.D. 5/16-18 x 3/4 (2) 15	X-154-5
	<i>Before Serial No. 10137904 use</i>	45 123 11	12	Tube, exhaust 15	45 123 12
	<i>After Serial No. 10137903 use</i>	45 534 02	13	Safety wire (not shown) 23, 99	45 586 01

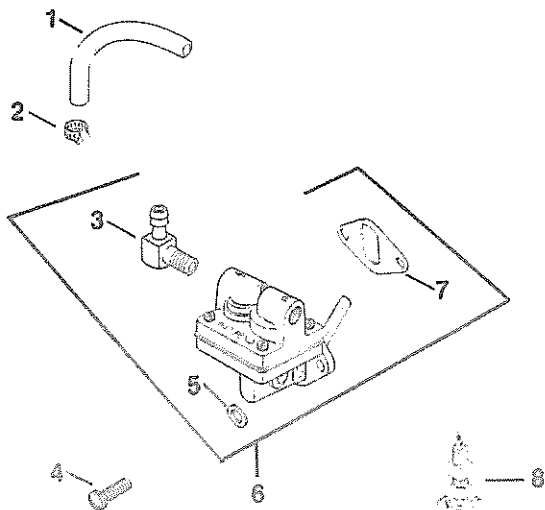
K361

Group 13 FLYWHEEL



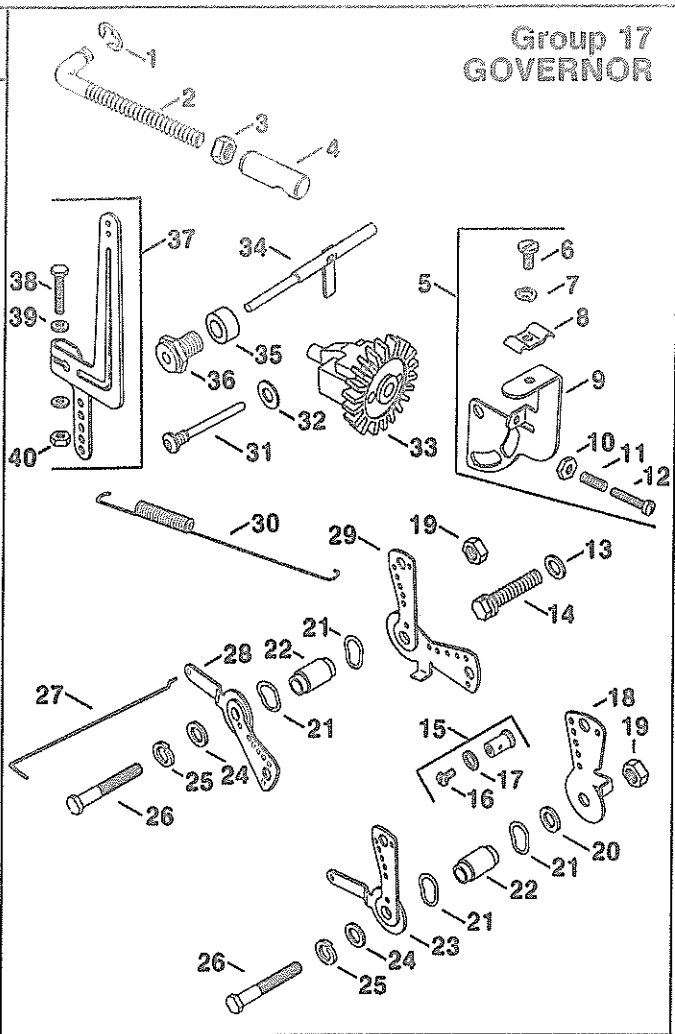
Index Number	Description Variation Number	Part Number	Index Number	Description Variation Number	Part Number
1	Flywheel 73	47 025 28	7	Screw, T.H. 1/4-20 x 5/8 (4) (Replaced by 47 086 05) 21, 32, 44, 54, 69, 72, 73	X-166-2
1	Flywheel 21, 32, 44, 47, 69, 72	47 025 24	8	Screen, grass 69	47 162 16
1	Flywheel 54	47 025 41	9	Adapter, front drive 69	45 144 20
2	Shaft, front drive 47	235954	10	Screen, grass (Replaced by 47 755 15) 32	236688
2	Shaft, front drive 72	47 144 09	11	Nut, lock 5/8-18 21, 32, 44, 47, 54, 69, 72, 73	X-119-14
2	Shaft, front drive 21	237350	12	Washer, plain 5/8 21, 32, 44, 47, 54, 69, 72, 73	X-25-104
3	Key 21, 32, 44, 47, 54, 69, 72, 73	X-286-17	13	Washer, lock 3/8 (4) 21, 44, 47, 54, 69, 72	X-22-1
4	Screen, grass (Replaced by 47 755 16) 21, 47	237029	14	Screw, H.C. 3/8-16 x 7/8 (4) 21, 44, 47, 54, 69, 72	X-7-6
5	Adapter, front drive 54	237373	15	Washer, plain 1/4 32, 72, 73	X-25-52
6	Screen, grass 54	45 162 04	16	Screen, grass 73	237284

Group 14 FUEL PUMP



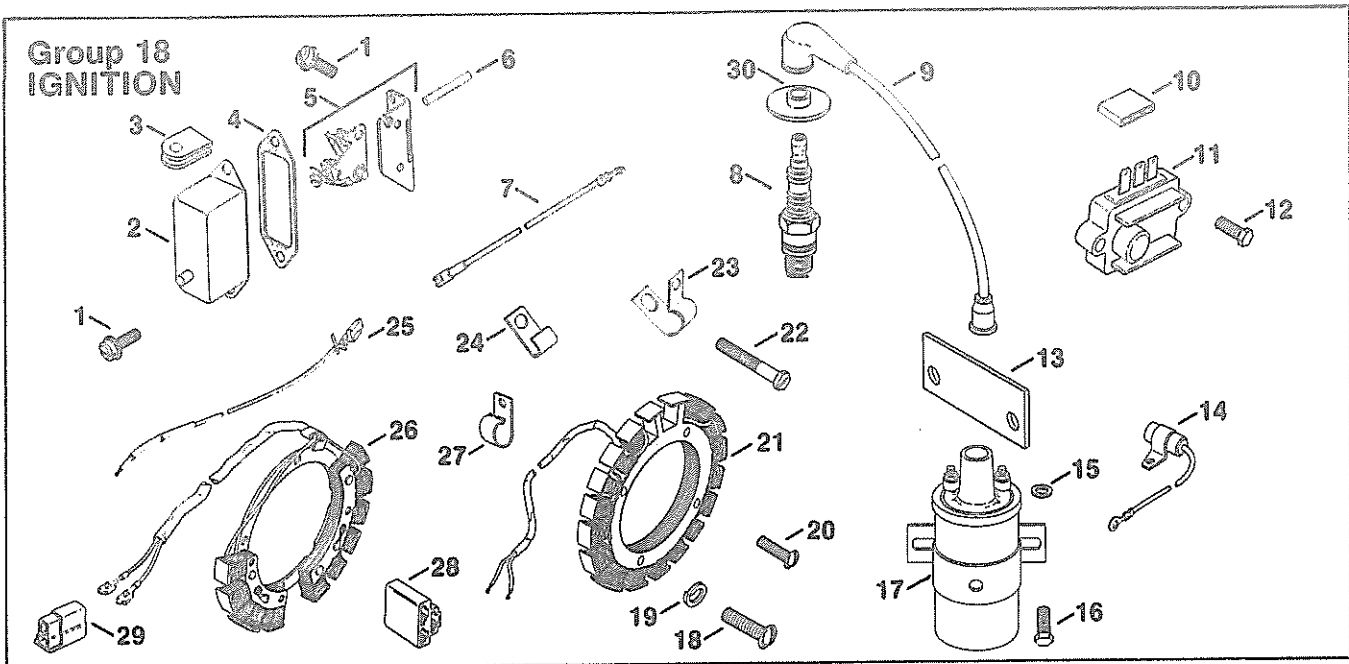
Index Number	Description Variation Number	Part Number
1	Line, fuel 20, 30, 31	X-386-25
1	Line, fuel 36	X-807-3
2	Clamp, hose (2) 20, 30, 31, 36	X-426-9
3	Connector (2) 20, 31, 36	X-391-1
3	Connector 30	X-391-1
3	Connector 30	X-391-11
4	Screw, H.C. 1/4-20 x 3/4 (2) 20, 30, 31, 36	X-174-2
5	Washer, plain 1/4 (2) 20, 30, 31, 36	X-25-63
6	Pump, fuel 20, 30, 36	47 559 04
6	Pump, fuel 31	47 559 01
7	Gasket, fuel pump 20, 30, 31, 36	47 041 04
8	Valve, shut off 30, 44	47 462 01

Index Number	Description Variation Number	Part Number
1	Retainer, throttle rod 32, 34, 36	235278
2	Rod, ball joint 32, 34, 36	235277
3	Nut, hex. #10-32 32, 34, 36	X-70-3
4	Body, ball joint 32, 34, 36	45 208 03
5	Control bracket - assembly 32, 36	47 217 05
5	Control bracket - assembly 34	47 217 06
6	Screw, R.H.M 10-24 x 3/8 32, 34, 36	X-50-13
7	Washer, split lock #10 32, 34, 36	X-19-1
8	Clamp, wire 32, 34, 36	47 237 02
9	Bracket, control 32, 34, 36	47 126 09
10	Nut, hex. #8-32 32, 34, 36	X-72-4
11	Spring, throttle lever adj. screw 32, 34, 36	232555
12	Screw, throttle lever adj. 32, 34, 36	232556
13	Washer, plain 1/4 (Replaced by X-25-12) 32, 34, 36	X-25-55
13	Washer, plain 1/4 32, 34, 36	X-25-72
14	Screw, H.C. 1/4-20 x 3/8 32, 34, 36	X-132-6
15	Kit, clamp 36	48 755 10
16	Screw, pan hd. #8-32 36	X-51-8
17	Washer, plain 1/4 36	X-25-102
18	Lever, throttle control 32, 36	47 090 10
19	Nut, hex. 1/4-20 32, 34, 36	X-76-2
20	Washer, plain 3/8 32, 36	X-25-82
21	Washer, wave (2) 32, 34, 36	275690
22	Spacer 32, 34, 36	47 112 02
23	Lever, choke control 32, 36	47 090 06
24	Washer, plain 1/4 32, 34, 36	X-25-63
25	Washer, split lock 1/4 32, 34, 36	X-20-1
26	Screw, H.C. 1/4-20 x 1-1/2 32, 34, 36	X-5-26
27	Linkage, choke 32, 34, 36	47 079 01
28	Lever, choke control 34	47 090 07
29	Lever, throttle control 34	47 090 08



Index Number	Description Variation Number	Part Number
30	Spring, governor 32, 34, 36	47 091 01
31	Pin, governor stop 32, 34, 36	231355
32	Washer, thrust 32, 34, 36	237022
33	Gear, governor (Replaced by 47 042 02) 32, 34, 36	A-237031
34	Shaft, governor cross 32, 34, 36	237455
35	Spacer 32, 34, 36	X-400-80
36	Bushing, governor 32, 34, 36	235476
37	Governor lever - assembly 32, 34, 36	A-237653
38	Screw, sems 1/4-20 x 1-1/4 32, 34, 36	X-776-1
39	Washer, plain 1/4 32, 34, 36	X-25-72
40	Nut, hex. 1/4-20 32, 34, 36	X-81-1

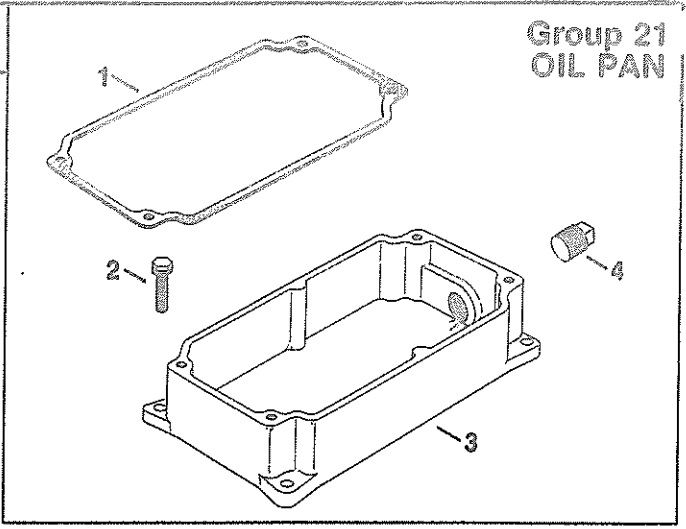
K361



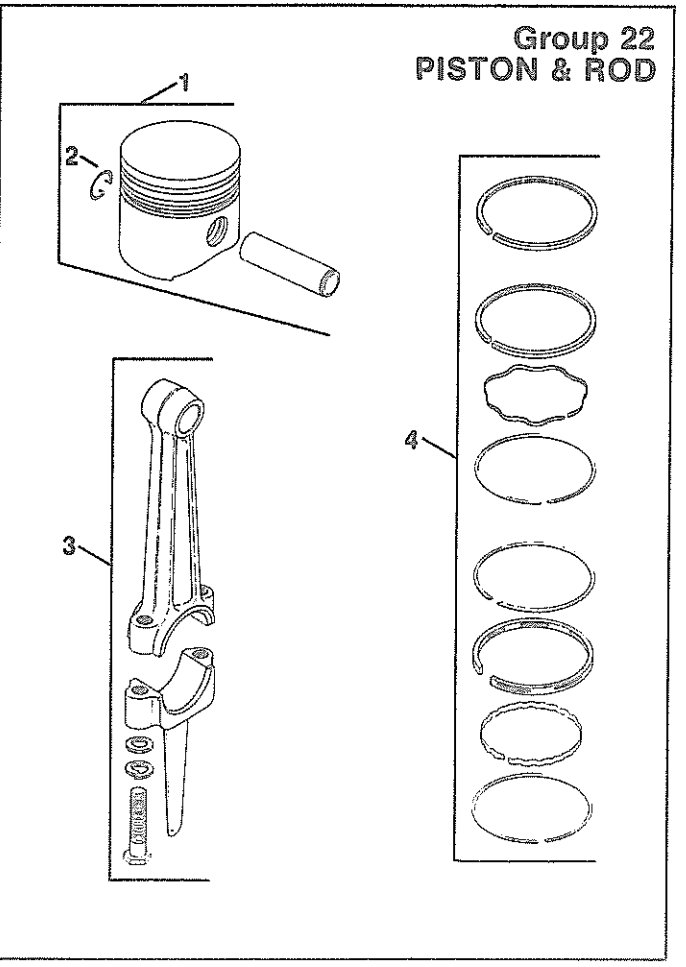
Index Number	Description Variation Number	Part Number	Index Number	Description Variation Number	Part Number
1	Screw, F.H.M. 10-24 x 3/8 (4) 60, 62, 82, 83	X-131-1	15	Washer, plain 1/4 (2) 60, 62, 82	X-25-73
1	Screw, F.H.M. 10-24 x 3/8 (7) 65	X-131-1	15	Washer, plain 1/4 (2) 65, 83	X-25-52
2	Cover, breaker 60, 62, 65, 82, 83	232535	16	Screw, H.C. 1/4-20 x 5/8 60, 62, 82	X-132-5
3	Grommet 60, 62, 65, 82, 83	220297	16	Screw, H.C. 1/4-20 x 3/4 65	X-132-2
4	Gasket, breaker 60, 62, 65, 82, 83	52 041 11	16	Screw, H.C. 1/4-20 x 3/8 83	X-132-1
5	Breaker (Replaced by 47 150 03) 60, 62, 65, 82, 83	47 150 01	17	Coil, ignition 60, 62, 65, 82, 83	231281
6	Rod, breaker 60, 62, 65, 82, 83	47 411 04	18	Screw, sltd. pan hd. #10-24 65	X-50-12
7	Lead Includes grommet 65, 83	47 125 01	19	Washer, I.T #10 65	X-22-9
7	Lead Includes grommet 62	45 518 05	20	Screw, R.H.M. 10-24 x 3/4 (4) 60, 62, 82, 83	X-778-1
8	Plug, spark 60, 62, 82, 83	235041-S	21	Stator 60, 62, 82, 83	237878
8	Plug, spark 65	235040-S	22	Screw, hex. wash. hd. #8-32 60, 62, 65, 82, 83	X-67-59
9	Lead, hi-tension 60, 62, 65, 82, 83	238057	23	Clip, cable 60, 62, 65, 82, 83	X-728-1
10	Connector 60, 62, 82, 83	236602	24	Clip, cable 60, 62, 65, 82, 83	275303
11	Rectifier - Regulator 60, 62, 82, 83	41 403 05	25	Kit, diode 65	51 755 01
12	Screw, H.C. 1/4-20 x 1 (2) 60, 62, 82, 83	X-132-4	26	Stator 65	45 085 02
13	Plate, coil 60, 62, 82, 83	234323	27	Clip, cable 65	48 154 02
14	Condenser 60, 62, 65, 82, 83	230722	27	Clip 60, 62, 82, 83	47 154 01
			27	Clip (3) 62	48 154 02
			28	Connector 65	236473
			29	Connector 60, 82, 83	48 155 02
			30	Grommet, spark plug 83	47 313 01

K361

Index Number	Description Variation Number	Part Number
1	Gasket, oil pan 1, 2	235057
2	Screw, H.C. 3/8-16 x 1-1/4 (4)	X-159-3
3	Base, oil pan 1	235115
3	Base, oil pan 2	235147
4	Plug, pipe 1-1/16"	X-75-6
4	Plug, pipe 7/8"	X-75-10



Index Number	Description Variation Number	Part Number
1	Piston assembly - Std. (Replaced by 45 074 36)	45 074 16
4		
1	Piston assembly - .003 (Replaced by 45 074 37)	45 074 17
4		
1	Piston assembly - .010 (Replaced by 45 074 38)	45 074 18
4		
1	Piston assembly - .020 (Replaced by 45 074 39)	45 074 19
4		
1	Piston assembly - .030 (Replaced by 45 074 40)	45 074 20
4		
2	Retainer, piston pin (2) (Replaced by 47 018 01)	235004
4		
3	Rod, connecting - assembly Std.	45 067 16
4		
3	Rod, connecting - assembly .010 U.S.	45 067 18
4		
4	Ring set - Std. & .003 (Replaced by 45 108 06)	45 108 01
4		
4	Ring set - .010 (Replaced by 45 108 07)	45 108 02
4		
4	Ring set - .020 (Replaced by 45 108 08)	45 108 03
4		
4	Ring set - .030 (Replaced by 45 108 09)	45 108 04
4		



(Note: All piston assemblies contain piston, piston pin & retainers.)

**Group 39
GASKET SET**

K361

Description Variation Number	Part Number	Description Variation Number	Part Number
Gasket Set 1	45 755 06	Gasket Set 1	45 004 05
<i>Set Includes</i>		<i>Set Includes</i>	
Seal, front oil	47 032 06	Gasket, breaker cover	52 041 11
Seal, rear oil	47 032 07	Seal, breather	231032
Gasket, breaker cover	52 041 11	Gasket, camshaft cover	235025
Seal, breather	231032	Gasket, valve cover	235048
Gasket, camshaft cover	235025	Gasket, oil pan	235057
Gasket, valve cover	235048	Gasket, bearing plate (3)	235070
Gasket, oil pan	235057	Gasket, bearing plate	235757
Gasket, bearing plate (3)	235070	Gasket, oil fill	237064
Gasket, bearing plate	235757	Gasket, carburetor (2)	271030
Gasket, oil fill	237064	Gasket, valve cover	275144
Gasket, carburetor (2)	271030	Gasket, rocker arm housing	45 041 14
Gasket, valve cover	275144	Gasket, rocker arm housing cover	45 041 09
Gasket, rocker arm hsg.	45 041 14	Gasket, tube	45 041 12
Gasket, rocker arm housing cover	45 041 09	Gasket, cylinder head	45 052 02
Gasket, tube	45 041 12	"O" Ring, push rod tube (4)	45 153 01
Gasket, cylinder head	45 052 02	Gasket, air cleaner	47 041 02
"O" Ring, push rod tube (4)	45 153 01	Gasket, fuel pump	47 041 04
Gasket, air cleaner	47 041 02	Gasket, air horn	47 041 05
Gasket, fuel pump	47 041 04		
Gasket, air horn	47 041 05		

KOHLER engines

ENGINE DIVISION, KOHLER CO., KOHLER, WISCONSIN 53044