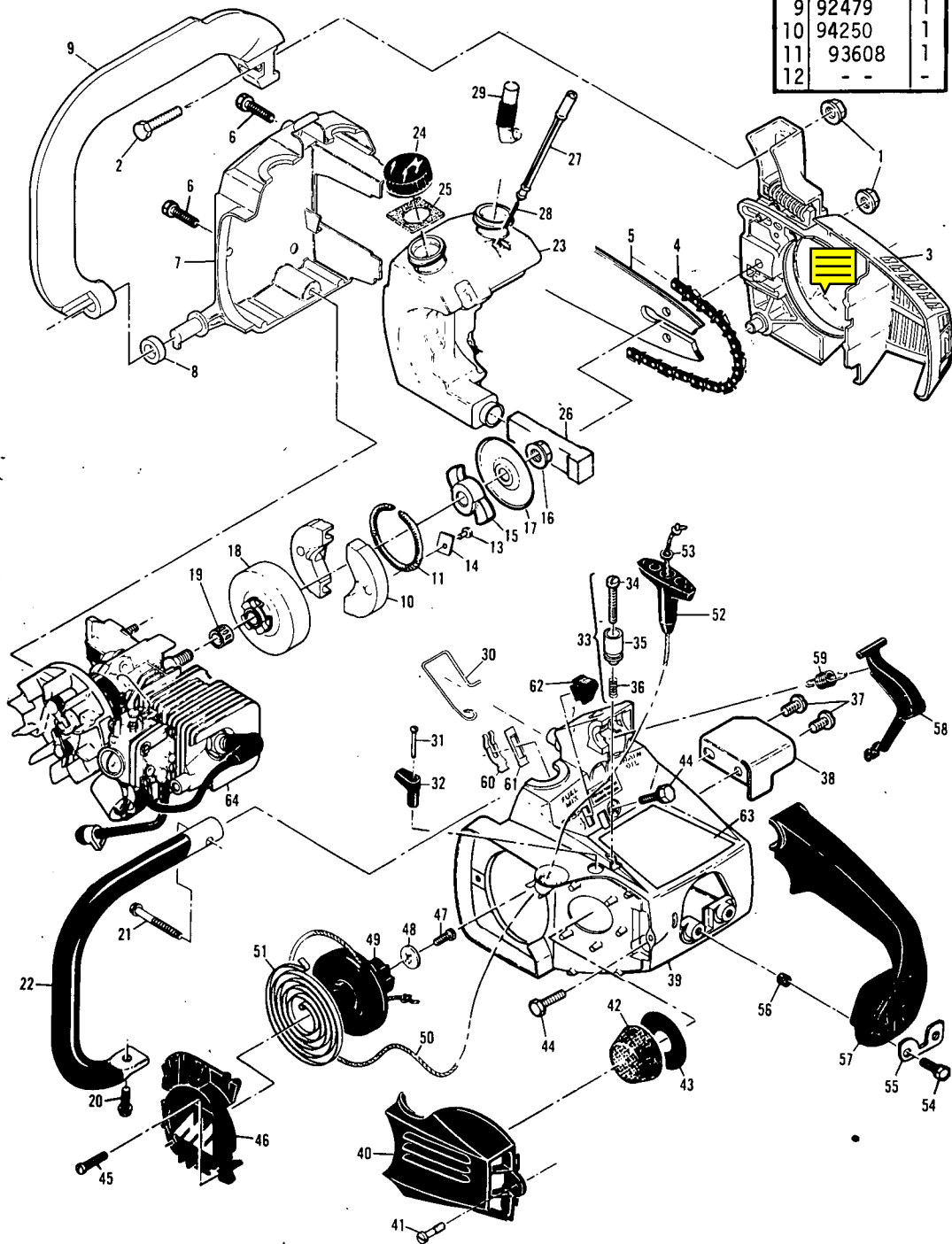


**McCULLOCH**

**MAC 110** 13600016A,H,M  
**MAC 120** 13600016B,E,F,P



1	110676	2
2	110972	1
3	②	
①	4 90638N	1
②	4 90642N	1
③	4 90641N	1
①③	5 90745A	1
②	5 90549A	1
	6 110639	2
	7 92868A	1
	8 93194A	1
	9 92479	1
	10 94250	1
	11 93608	1
	12 - -	-

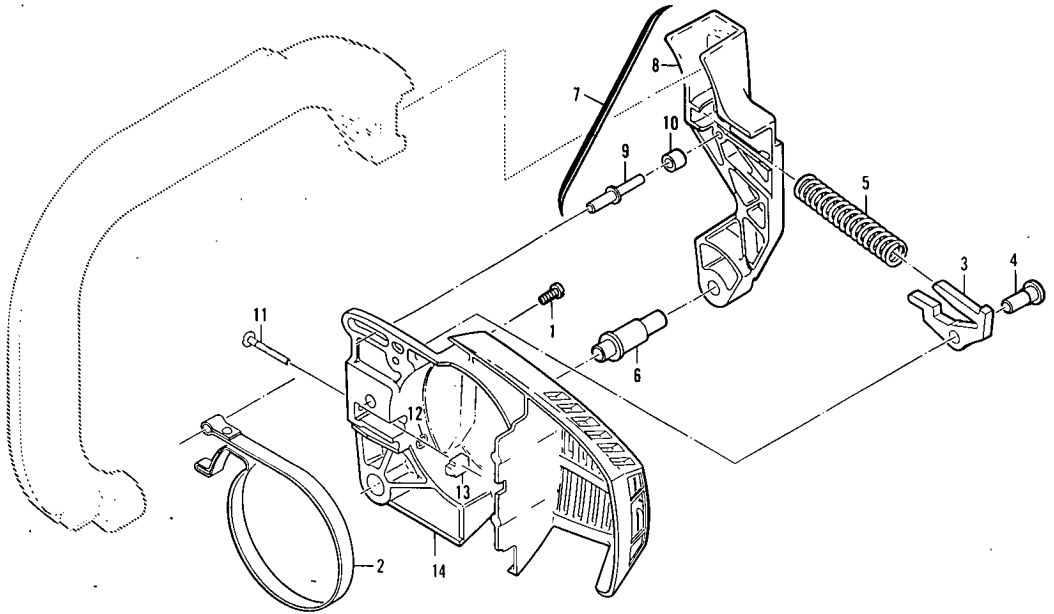
13	110957	2
14	85064	2
15	94242	1
16	94244	1
17	94243	1
18	94996	1
19	91222	1
20	110953	1
21	110686	1
22	84791	1
23	91454A	1
24	91283	2
25	91148	1
26	84956	1
27	83900A	1
28	83946	1
29	85557	1
30	84611	1
31	110672	1
32	83870	1
33		1
34		1
35	③	1
36		1
37	110807	2
38	93290	1
39	91800A	1
40	91853	1
41	91796	1
42	91460	1
43	84918	1
44	110953	3
45	110959	3
46	90425	1
47	110041	1
48	68497	1
49	94492	1
50	83203	1
51	83078	1
52	91255	1
53	105490	1
54	110953	2
55	84520A	1
56	84519	2
57	93810	1
58	93869	1
59	83940	1
60	83935	1
61	83936	1
62	83934	1
63	93541	1
④	63 93540	1
⑤	63 93724	1
⑥	64 ④	1

- ① A
- ② B, F, P
- ③ M
- ④ B, E, F, P
- ⑤ A, H, M
- ⑥ H

**MAC 110  
MAC 120**

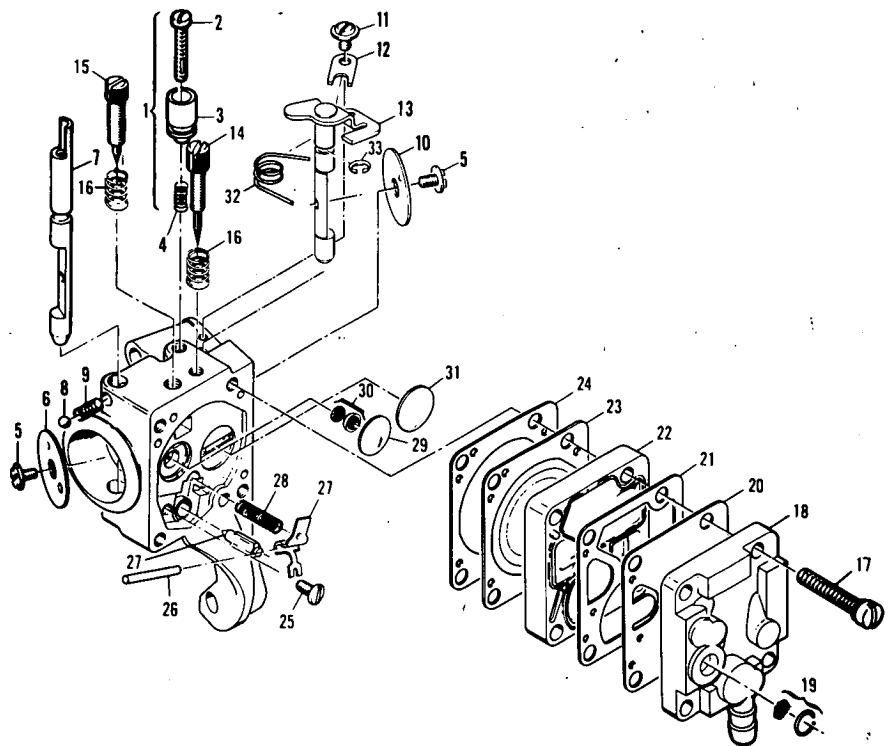
**2**

1	94193	1
2	110656	1
3	94709	1
4	94006	1
5	93602	1
6	94007	1
7	92482	1
8	93467	1
9	92867	1
10	93139	1
11	93147	1
12	90658	1
13	110907	1
14	84929	1
14	94175	1



**3**

1	93437	1	17	68564	4
2	- -	1	18	91347	1
3	- -	1	19	85629	1
4	- -	1	20	68563	1
	93293A		21	85035	1
5	83755	2	22	85030	1
6	68556	1	23	85036	1
7	85033	1	24	85034	1
8	100302	1	25	67500	1
9	67504	1	26	67508	1
10	68553	1	27	85059	1
11	70798	1	28	68567	1
12	68554	1	29	68559	1
13	94138	1	30	83758	1
14	86446	1	31	68560	1
15	86447	1	32	89785	1
16	67502	2	33	94139	1

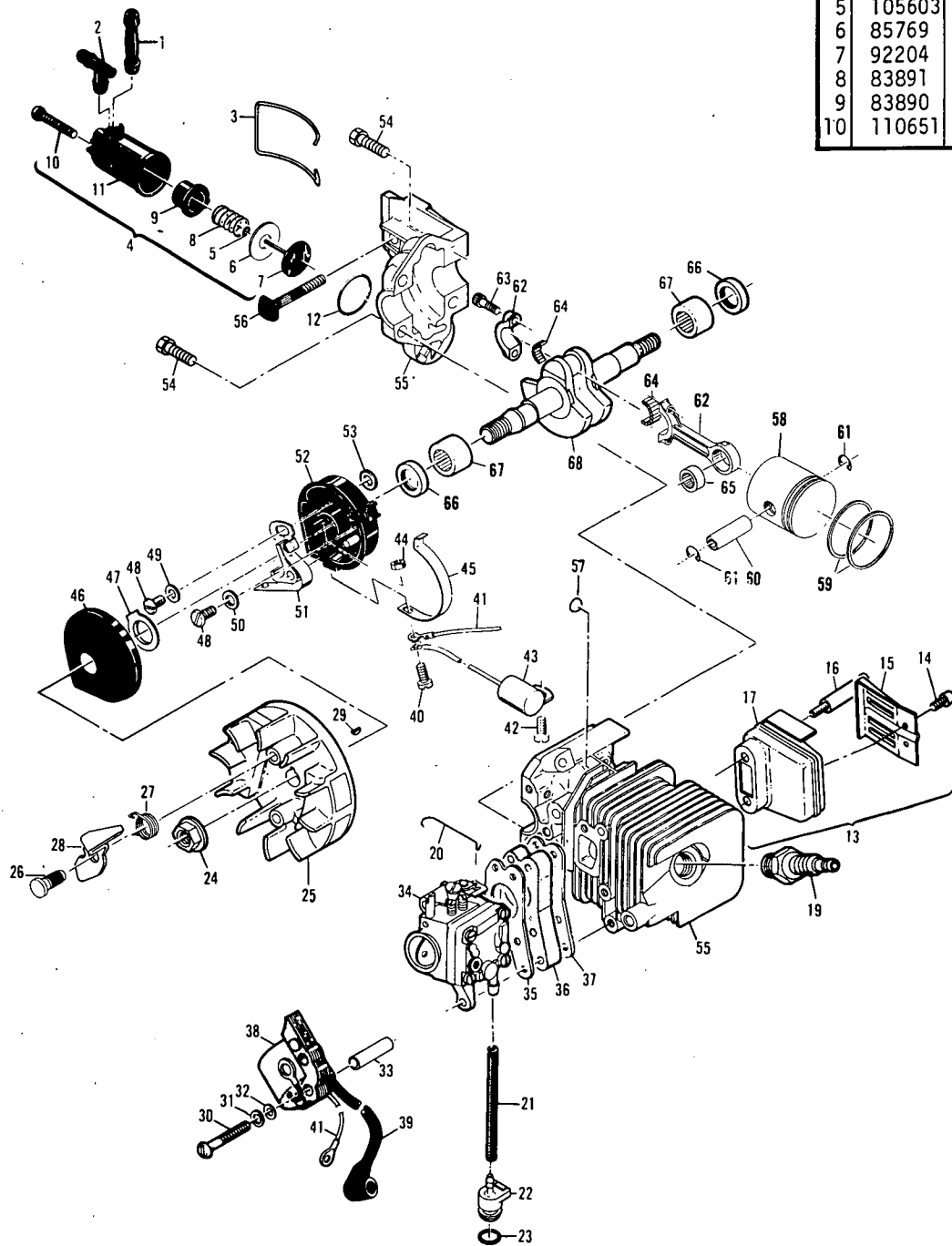


# MAC 110 MAC 120

4

1	83898	1
2	84613	1
3	83896	1
4	83886	1
5	105603	1
6	85769	1
7	92204	1
8	83891	1
9	83890	1
10	110651	1

11	83887	1
12	110653	1
13	92962	1
14	110681	2
15	92961	1
16	93036	2
17	93655	1
18	-	-
① 19	63097	1
② 19	93018	1
20	89274	1
21	89059	1
22	90660	1
23	110908	1
24	110970	1
25	94513	1
26	68796	2
27	67814	2
28	94493	2
29	102164	1
30	110586	3
31	105976	3
32	67177	3
33	68198	3
34	③	-
35	68197	1
36	90713	1
37	90714	1
38	84957	1
39	50120	1
40	110617	1
41	69344	1
42	110041	1
43	85358	1
44	110975	1
45	84502	1
46	67841	1
47	69323	1
48	110969	2
49	69322	1
50	105976	1
51	88811	1
52	84505A	1
53	92037	1
54	110639	4
55	94326	1
56	83856	1
57	110914	1
58	94662	1
59	95143	1
60	92836	1
61	111026	2
62	94135	1
63	94654	2
64	68095	1
65	110984	1
66	83859	2
67	66854	2
68	91932	1



① A, P  
② B, E, F, H, M