

McCULLOCH®

PARTNER

ILLUSTRATED PARTS LIST

MAC 538-540

PREFIX 03

MAC 545

PREFIX 01

CALIFORNIA 2000

PREFIX 03

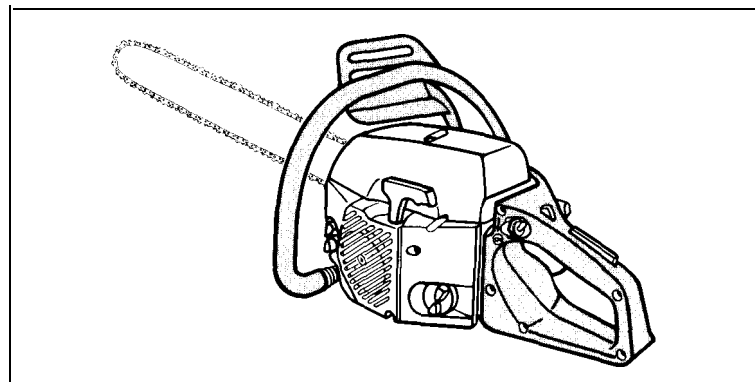
EUROMAC S42-S45

PREFIX 03

PARTNER P538

PREFIX 03

CE



March 2000

C	1	241235	McCulloch	1	B	81	241238		
C		241856				81 A	240334	M4x40	2
	2	● 240288				82	240262		
	3	0240287	McCulloch	1		83	235248		2
		241857		1		84	235216		2
B	4	0240311				85	241239		2
	5	227349			B	85 A	240263		1
	6	0240326				86	240322		2
	7	227351				87	241236	38-40cc Mac	1
	8	● 227352					240871	46cc Mac	1
	9	0240928					241250	California	1
	10	240929					241515	Euromac	1
	11	● 240690					241931		
	12	● 227521				88	0240320		
	13	229394				89	0240321		
	14	227524				90	● 236936		
	15	● 235367				91	● 240272		
	16	● 235811				93	240291		
	17	0240863		2		94	0240297		
	18	● 235500		2		95	● 236981		2
	19	0227259				96	240299		
A	21	235217		2		97	236997	M5x30	
c	22	240339		1		98	227626		
C	23	0240301				99	227567	M5x70	
C	24	0240302			c	101	240873		
	25	0240303				102	247757		
	26	0240367				103	● 235899		
	27	240862		5	C	104	0228872		
	28	229524				105	● 235900		
c	29	240859				105A	● 236728		
	30	227259				105B	● 241597		2
	31	240845	M5x16	1		106	240312		
C	32	247259				107	241255	38-40cc	
	33	240315					241256	46cc	
	34	235248		2	C	108	235742	38-40cc	
	35	235802	M5x14	2	C		227329	46cc	
	36	235806	M5x20	2	CI	09	227631		
	37	240281				110	235672		1
B	38	241231	38-40cc	1		111	247758		1
B		240289	46cc	1		112	● 241253		1
B	39	240285			C	113	● 228872		1
	40	240354			BI	14	● 241516	M6/M6	2
	41	235248				117	227259		1
	42	235802	M5x14	1		118	235806	M5x20	1
	43	235248			Al	19	240317		1
	44	235803	M5x25	1	B	120	0229208		1
	45	227259			B	121	240205		1
	46	235802	M5x14	1	B	122	0240318	M5x65	1
c	47	240336	McCulloch	1		123	235642		1
C		241933				124	240310		1
	48	● 240316	M5x35	1		125	240333		1
	49	0240921				126	240309		1
	50	0229208			CI	27	240363		1
	51	● 240884		1	B	128	240286		1
B	52	235372				130	241227		1
A	53	● 235042				132	240920		1
B	54	● 235040				133	240300		1
	55	235248		3	B	134	240868		1
	56	236997	M5x30	3	CI	35	235675		1
B	57	235552			Al	36	240452		1
C	58	● 235511			c	137	● 227582		1
B	59	241234				138	229716		1
C	60	● 235510				139	241099		1
	61	247290			B	141	240260	3/8	1
	62	● 240358				142	240323		1
	63	235218				143	241275		1
	64	241204				144	241285		1
B	65	● 235516		2		145	229250	M5x8	2
B	66	235517		2		146	236997	M5x30	4
B	67	● 235518		2	B	147	241100		1
C	68	241291			CI	48	228854		1
C	69	● 240370				149	● 240308		1
c	70	FIGURE 2				150	0240874		1
	71	227565	M5x25	4	C	151	225062		1
	72	236934				152	241272		1
A	73	92879			C	153	241274		1
B	74	240345			B	154	0240926		3
	75	240271	38-40cc	1		155	0227359		3
		240261	46cc	1		156	241273		1
	76	236997	M5x30	2		157	235248		1
	77	236529		2		158	228139		1
A	78	227692				159	241162		1
c	79	FIGURE				160	241984		1
	80	240328		2					

A = high moving - alta rotazione - haute demande - große Nachfrage
 B = medium moving - media rotazione - moyenne demande - mittelmäßige Nachfrage
 C = slow moving - bassa rotazione - basse demande - wenige Nachfrage

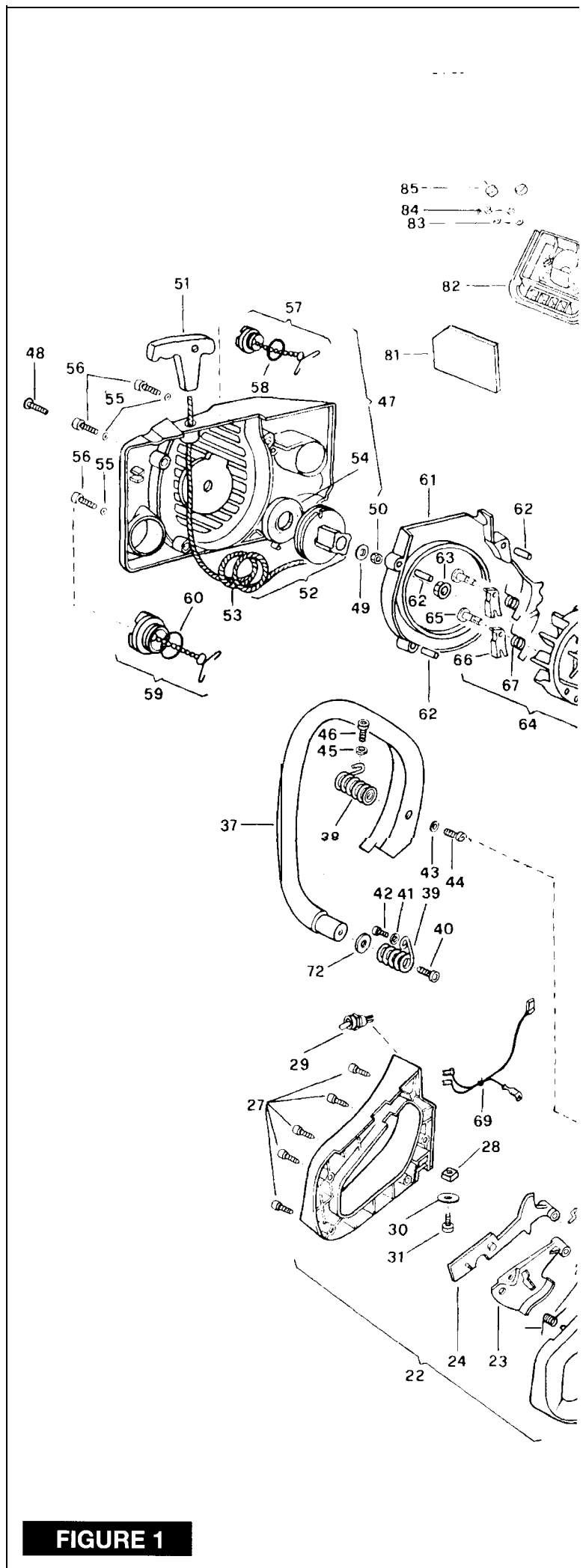
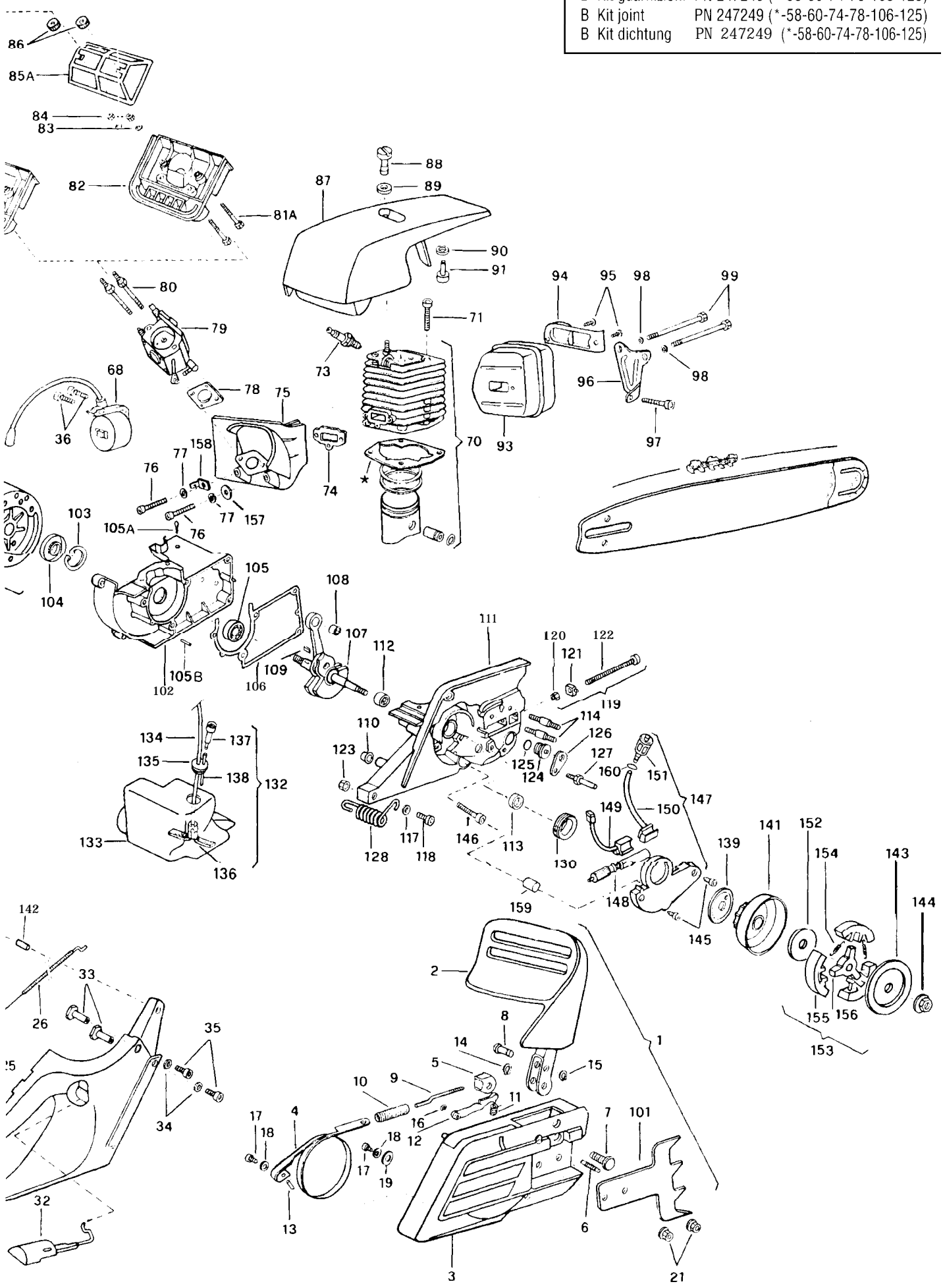


FIGURE 1

B Kit gasket	PN 247249 (*-58-60-74-78-106-125)
B Kit guarnizioni	PN 247249 (*-58-60-74-78-106-125)
B Kit joint	PN 247249 (*-58-60-74-78-106-125)
B Kit dichtung	PN 247249 (*-58-60-74-78-106-125)



	38 cc	<table border="0"> <tr><td>C</td><td>1</td><td></td><td>247253</td><td>1</td></tr> <tr><td>B</td><td>2</td><td>.</td><td>240343</td><td>1</td></tr> <tr><td>C</td><td>3</td><td>.</td><td>247256</td><td>1</td></tr> <tr><td></td><td>4</td><td>●●</td><td>235008</td><td>2</td></tr> <tr><td>B</td><td>5</td><td>●●</td><td>240005</td><td>2</td></tr> </table>	C	1		247253	1	B	2	.	240343	1	C	3	.	247256	1		4	●●	235008	2	B	5	●●	240005	2
	C	1		247253	1																						
	B	2	.	240343	1																						
C	3	.	247256	1																							
	4	●●	235008	2																							
B	5	●●	240005	2																							
40 cc	<table border="0"> <tr><td>C</td><td>1</td><td></td><td>247254</td><td>1</td></tr> <tr><td>B</td><td>2</td><td>.</td><td>240343</td><td>1</td></tr> <tr><td>C</td><td>3</td><td>.</td><td>247257</td><td>1</td></tr> <tr><td></td><td>4</td><td>●●</td><td>235008</td><td>2</td></tr> <tr><td>B</td><td>5</td><td>●●</td><td>240085</td><td>2</td></tr> </table>	C	1		247254	1	B	2	.	240343	1	C	3	.	247257	1		4	●●	235008	2	B	5	●●	240085	2	
C	1		247254	1																							
B	2	.	240343	1																							
C	3	.	247257	1																							
	4	●●	235008	2																							
B	5	●●	240085	2																							
46 cc	<table border="0"> <tr><td>C</td><td>1</td><td></td><td>247255</td><td>1</td></tr> <tr><td>B</td><td>2</td><td>●</td><td>240343</td><td>1</td></tr> <tr><td>c</td><td>3</td><td>.</td><td>247258</td><td>1</td></tr> <tr><td></td><td>4</td><td>..</td><td>229544</td><td>2</td></tr> <tr><td>B</td><td>5</td><td>io</td><td>240353</td><td>1</td></tr> </table>	C	1		247255	1	B	2	●	240343	1	c	3	.	247258	1		4	..	229544	2	B	5	io	240353	1	
C	1		247255	1																							
B	2	●	240343	1																							
c	3	.	247258	1																							
	4	..	229544	2																							
B	5	io	240353	1																							

FIGURE 2

WALBRO WT 414				
C	-		240350	carbur.
B	1	●	247260	1
A	2	io	229191	1
	3	●	247261	1
	4	●	237481	1
	5	●	247388	H 1
	6	.	2 4 6 5 4 0	L 1
	7	●	229601	2
C	8	●	247387	1

FIGURE 3 A = high moving alta rotazione haute demande große Nachfrage
 B = medium moving media rotazione moyenne demande mittelmäßige Nachfrage
 C = slow moving bassa rotazione basse demande wenige Nachfrage