

B Kit gasket PN 247249 (*-58-60-74-78-106-125)
 B Kit guarnizioni PN 247249 (*-58-60-74-78-106-125)
 B Kit joint PN 247249 (*-58-60-74-78-106-125)
 B Kit dichtung PN 247249 (*-58-60-74-78-106-125)

C	1	241235	1	77	236529	2
	2	240288	1	A 78	227692	1
	3	240287	1	C 79	FIGURE 3	
B	4	240311	1	80	240328	2
	5	227349	1	B 81	241238	1
	6	240326	1	82	240262	1
	7	227351	1	83	235248	2
	8	227352	1	84	229208	2
	9	240928	1	85	241239	2
	10	240929	1	87	241236 MAC	1
	11	240690	1		241250 CALIFORNIA	1
	12	227521	1	88	240320	1
	13	229394	1	89	240321	1
	14	227524	1	90	236936	1
	15	235367	1	91	240272	1
	16	235811	1	93	240291	1
	17	240863	2	94	240297	2
	18	235500	2	95	236981	1
	19	227259	1	96	240299	1
A	21	235217	2	97	236997 M5x30	1
C	22	240339	1	98	227626	2
C	23	240301	1	99	227567 M5x70	2
C	24	240302	1	C 101	240873	1
	25	240303	1	102	247757	1
C	26	240367	1	103	235899	1
	27	240862	5	C 104	228872	1
	28	229524	1	105	235900	1
C	29	240859	1	106	240312	1
	30	227259	1	107	241255	1
	31	240845 M5x16	1	C 108	235742	1
C	32	247259	1	C 109	227631	1
	33	240315	2	110	235672	1
	34	235248	2	111	247758	1
	35	235802 M5x14	2	112	241253	1
C	36	240370	1	C 113	228872	1
	37	240281	1	114	240348	2
B	38	241231	1	116	235735	1
B	39	240285	1	117	227259	1
	40	240354	1	118	235806 M5x20	1
	41	235248	1	A 119	240317	1
	42	235802 M5x14	1	120	235642	1
	43	235248	1	121	240205	1
	44	235803 M5x25	1	122	240318 M5x65	1
	45	227259	1	123	235642	1
	46	235802 M5x14	1	124	240310	1
C	47	240336	1	125	240333	1
	48	240316 M5x35	1	126	240309	1
	49	240921	1	127	240363	1
	50	229208	1	B 128	240286	1
	51	240884	1	130	241227	1
B	52	235372	1	132	240920	1
A	53	235042	1	133	240300	1
B	54	235040	1	B 134	240868	1
	55	235248	3	C 135	235675	1
	56	236997 M5x30	3	A 136	240452	1
B	57	235552	1	C 137	227582	1
C	58	235511	1	138	229716	1
B	59	241234	1	139	241099	1
C	60	235510	1	B 141	240260 3/8"	1
	61	247290	1	142	240323	1
	62	240358	3	143	241275	1
	63	235218	1	144	241285	1
	64	241204	1	145	229250 M5x8	2
B	65	235516	2	146	236997 M5x30	4
B	66	235517	2	B 147	241100	1
B	67	235518	2	C 148	228854	1
C	68	241229 DUCATI	1	149	240308	1
C		241291 SEM	1	150	240874	1
	69	235806 M5x20	2	C 151	300870	1
C	70	FIGURE 2	2	152	241272	1
	71	227565 M5x25	4	C 153	241274	1
	72	236934	1	B 154	240926	3
A	73	92879	1	155	227359	3
B	74	240345	1	156	241273	1
	75	240271	1	157	235248	1
	76	236997 M5x30	2	158	228139	1
				159	241162	1

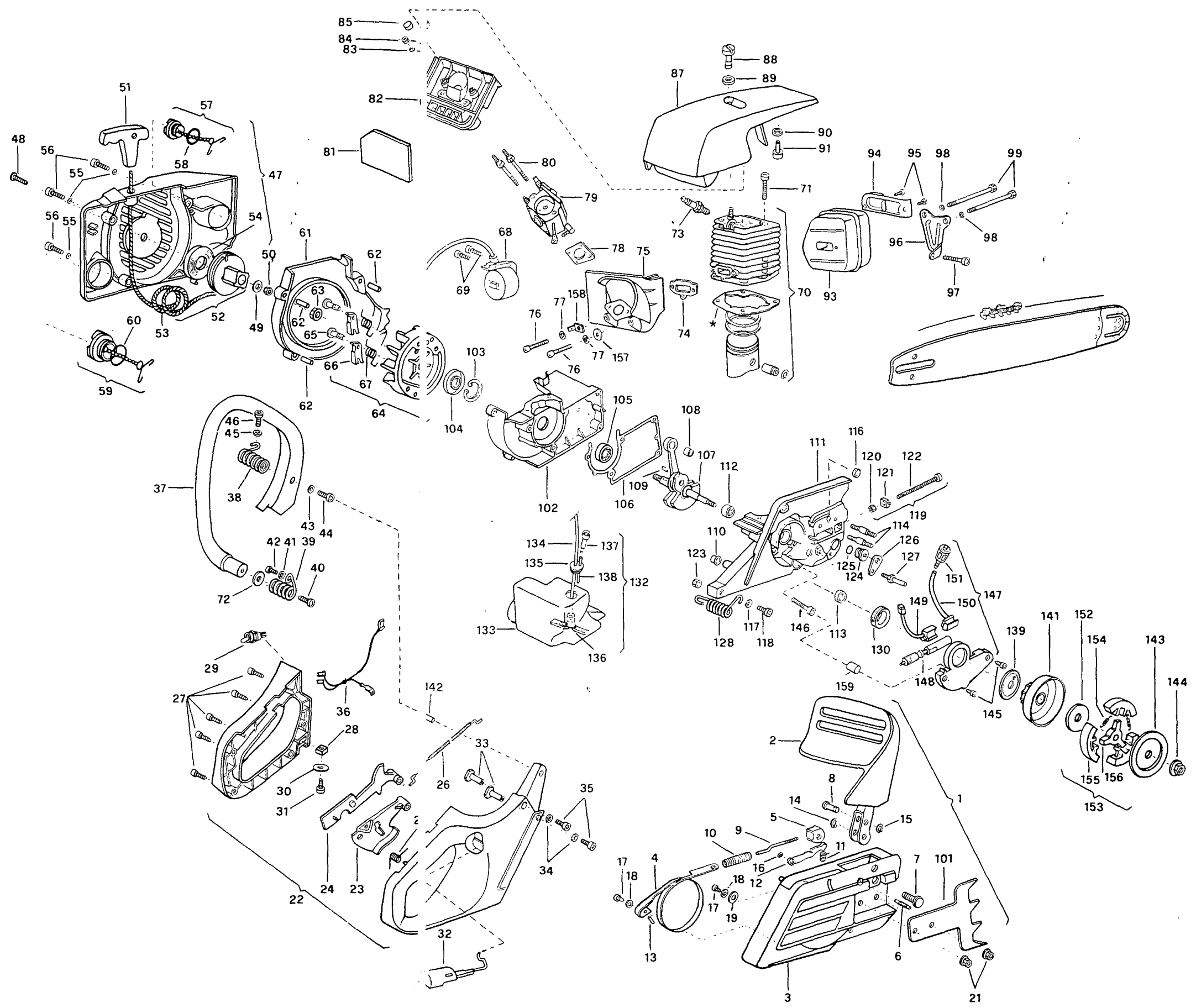


FIGURE 1

A = high moving - alta rotazione - haute demande - große Nachfrage
 B = medium moving - media rotazione - moyenne demande - mittelmäßige Nachfrage
 C = slow moving - bassa rotazione - basse demande - wenige Nachfrage

	38 cc	<table border="0"> <tr><td>C</td><td>1</td><td></td><td>247253</td><td>1</td></tr> <tr><td>B</td><td>2</td><td>•</td><td>240343</td><td>1</td></tr> <tr><td>C</td><td>3</td><td>•</td><td>247256</td><td>1</td></tr> <tr><td></td><td>4</td><td>••</td><td>235008</td><td>2</td></tr> <tr><td>B</td><td>5</td><td>••</td><td>240005</td><td>2</td></tr> </table>	C	1		247253	1	B	2	•	240343	1	C	3	•	247256	1		4	••	235008	2	B	5	••	240005	2
	C	1		247253	1																						
B	2	•	240343	1																							
C	3	•	247256	1																							
	4	••	235008	2																							
B	5	••	240005	2																							
40 cc	<table border="0"> <tr><td>C</td><td>1</td><td></td><td>247254</td><td>1</td></tr> <tr><td>B</td><td>2</td><td>•</td><td>240343</td><td>1</td></tr> <tr><td>C</td><td>3</td><td>•</td><td>247257</td><td>1</td></tr> <tr><td></td><td>4</td><td>••</td><td>235008</td><td>2</td></tr> <tr><td>B</td><td>5</td><td>••</td><td>240085</td><td>2</td></tr> </table>	C	1		247254	1	B	2	•	240343	1	C	3	•	247257	1		4	••	235008	2	B	5	••	240085	2	
C	1		247254	1																							
B	2	•	240343	1																							
C	3	•	247257	1																							
	4	••	235008	2																							
B	5	••	240085	2																							

FIGURE 2

WALBRO WT 414				
C	-		240350	carbur.
B	1	•	247260	1
A	2	••	229191	1
	3	•	247261	1
	4	•	237481	1
	5	•	247388	H 1
	6	•	246540	L 1
	7	•	229601	2
C	8	•	247387	1

FIGURE 3

A = high moving - alta rotazione - haute demande - große Nachfrage
 B = medium moving - media rotazione - moyenne demande - mittelmäßige Nachfrage
 C = slow moving - bassa rotazione - basse demande - wenige Nachfrage