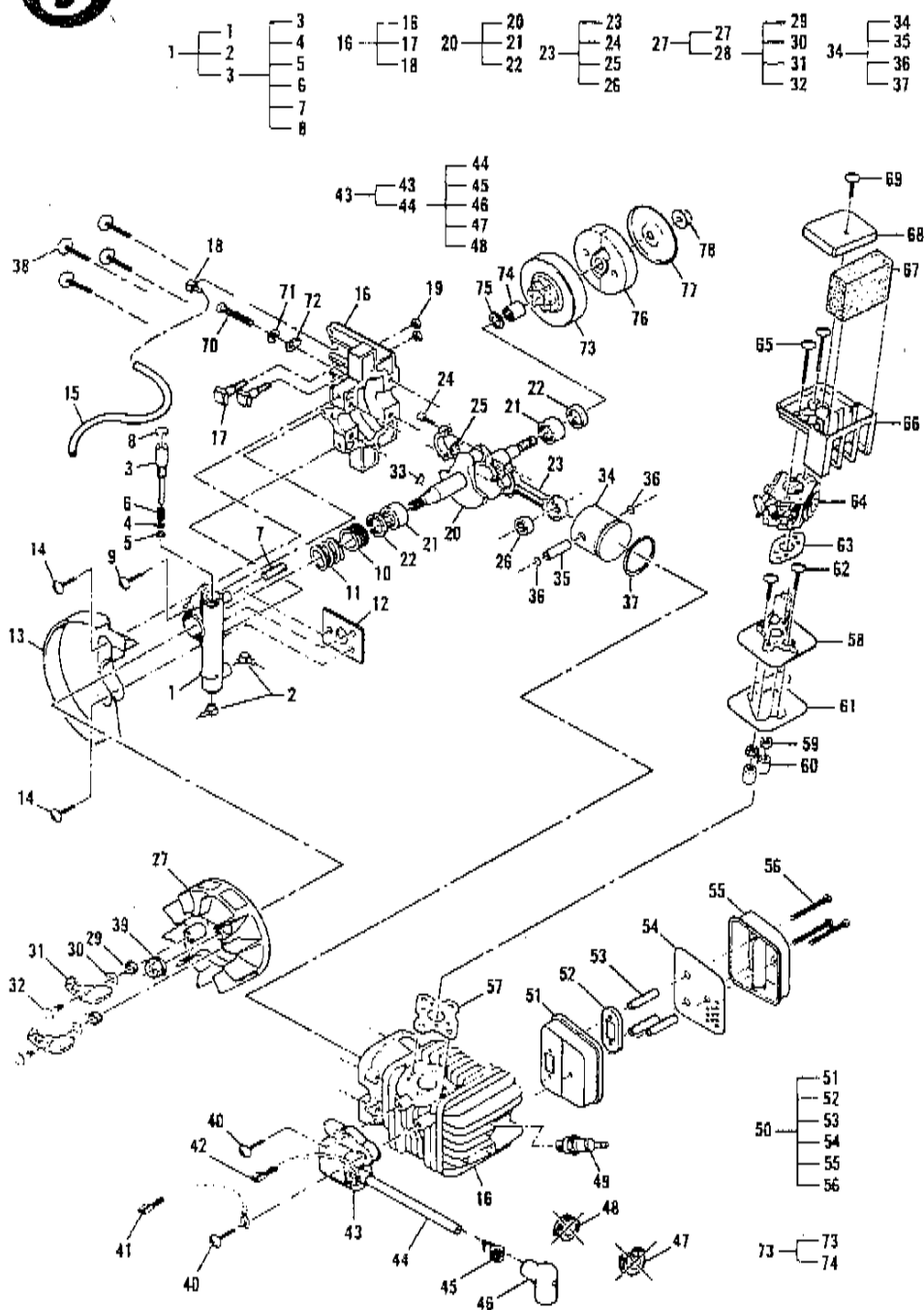


Ⓞ 39	110961	20.3 N•m
Ⓞ 49	322208	16.9 N•m
Ⓞ 56	218083	5.6 N•m
Ⓞ 65	218083	3.4 - 4.5 N•m
Ⓞ 78	111079	20.3 N•m

LOCTITE

Ⓞ 40	219881	620
Ⓞ 9	219881	242
Ⓞ 14	219881	242
Ⓞ 16	301055	518
Ⓞ 38	111083	242
Ⓞ 40	217936	242
Ⓞ 44	223884	380
Ⓞ 8	219881	242
Ⓞ 11	224847	242

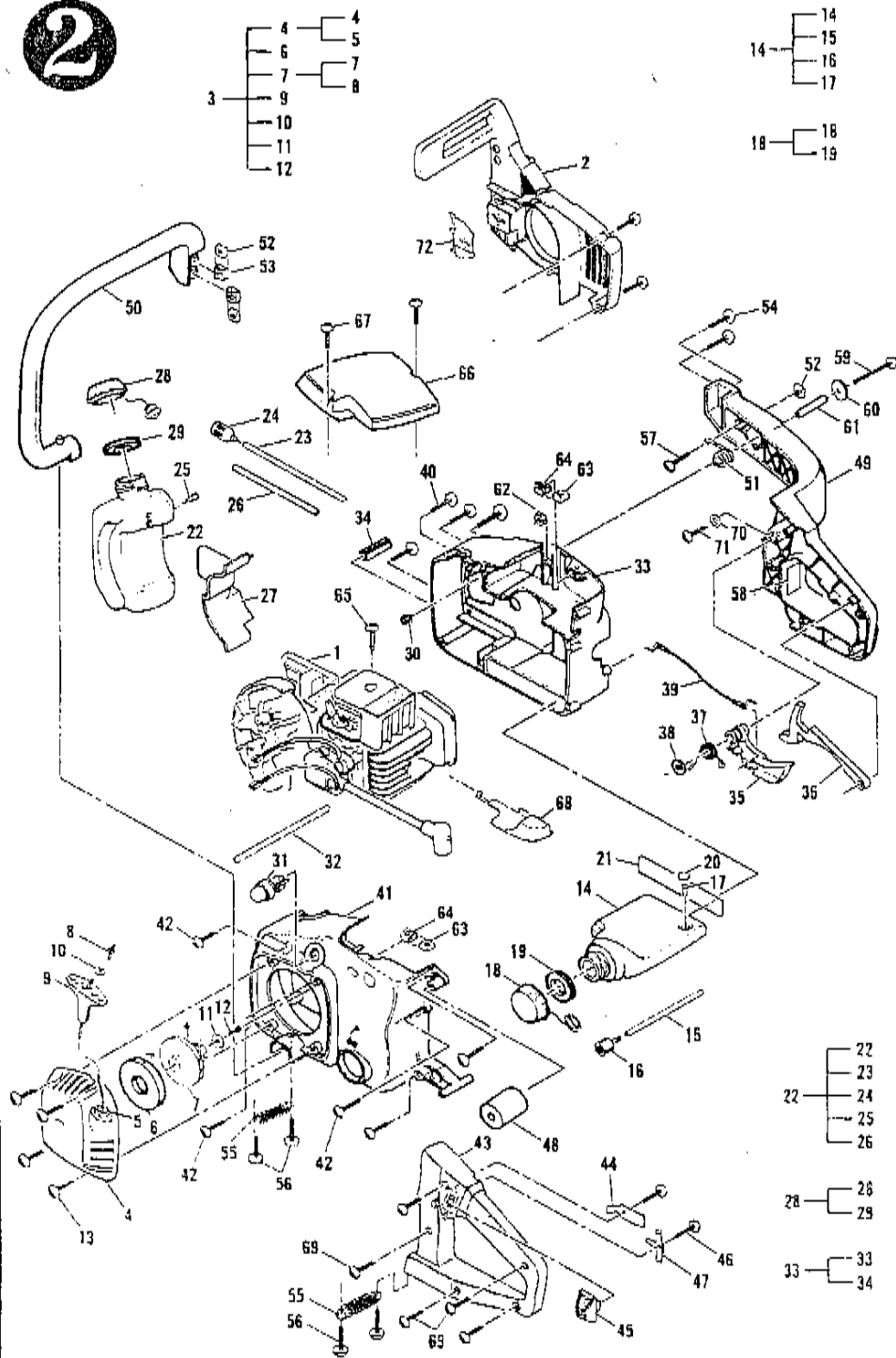
3



1	301304	1
2	.322182	2
3	.301084	1
4	.110582	1
5	1
6	1
7	1
8	.322187	1
9	219881	1
10	224814	1
11	224840	1
12	300295	1
13	224816	1
14	219881	2
15	300288	1
16	301055	1
17	.83856	2
18	.300257	1
19	110676	2
20	300264	1
21	.213282	2
22	.83855	2
23	94135	1
24	.94654	2
25	.68092	1
26	.110984	1
27	222778	1
28	.300763-01	1
29	.216982	2
30	.111131	2
31	.322932	2
32	.322721	2
33	102164	1
34	301054	1
35	.92936	1
36	.111026	2
37	301055	1
38	111083	4
39	110981	1
40	217936	2
41	300555	1
42	300556	1
43	215848-01	1
44	.223884	1
45	.102556	1
46	.85266	1
47	.110995	1
48	.215533-01	1
49	322208	1
50	301402	1
51	.300280	1
52	.300281	1
53	.322206	3
54	.323081	1
55	.322209	1
56	.218083	3
57	300265	1
58	224820	1
59	105367	2
60	322188	2
61	224850	1
62	217937	2
63	300293	1
64	FIGURE 1	
65	218080	2
66	224824	1
67	224831	1
68	224825	1
69	111055	1
70	223088	1
71	110907	1
72	68656	1
73	95646	1
74	.91117	1
75	215259	1
76	301463	1
77	300276	1
78	111079	1

© M. J.

2



1	FIGURE 3	
2	FIGURE 4	
3	301078	1
4	301654	1
5	...	1
6	300475	1
7	301043	1
8	300300	1
9	67851	1
10	223944	1
11	300297	1
12	300294	1
13	300294	4
14	300260	1
15	300269	1
16	225062	1
17	300256	1
18	300555	1
19	300269	1
20	300259	1
21	322195	1
22	300258	1
23	300280	1
24	216085	1
25	322199	1
26	300290	1
27	322191	1
28	300584	1
29	300267	1
30	300259	1
31	224242-01	1
32	300298	1
33	301058	1
34	111098	1
35	224821	1
36	224822	1
37	224823	1
38	111128	1
39	322170	1
40	219881	4
41	322161	1
42	300294	5
43	322164	1
44	322178	1
45	68846	1
46	223357	2
47	224844	1
48	300287	1
49	322163	1
50	322162	1
51	322165	1
52	218005	3
53	300292	2
54	218881	2
55	322165	2
56	300294	4
57	217935	1
58	223407	1
59	218083	1
60	322175	1
61	322175	1
62	111135	1
63	218005	2
64	300292	2
65	217936	1
66	224830	1
67	111099	2
68	224826	1
69	300294	5
70	300297	1
71	300294	1
72	322181	1

MACCAT 839

11600038-32

11600038-33

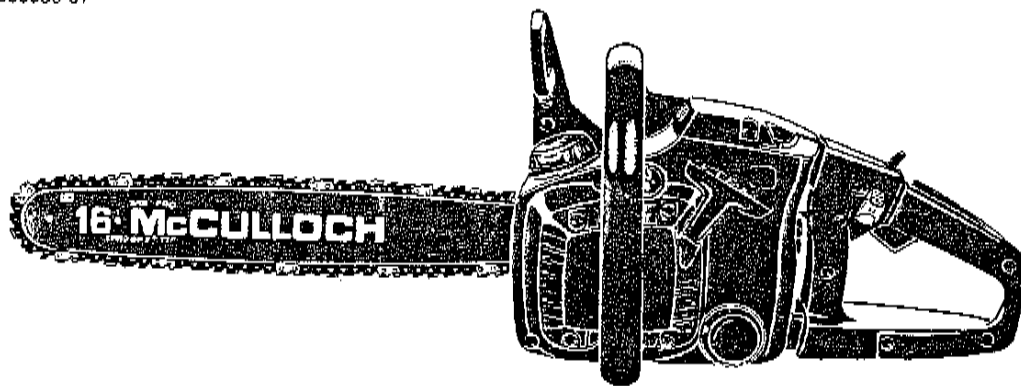
11600038-34

11600038-53

11600038-54

11600038 57

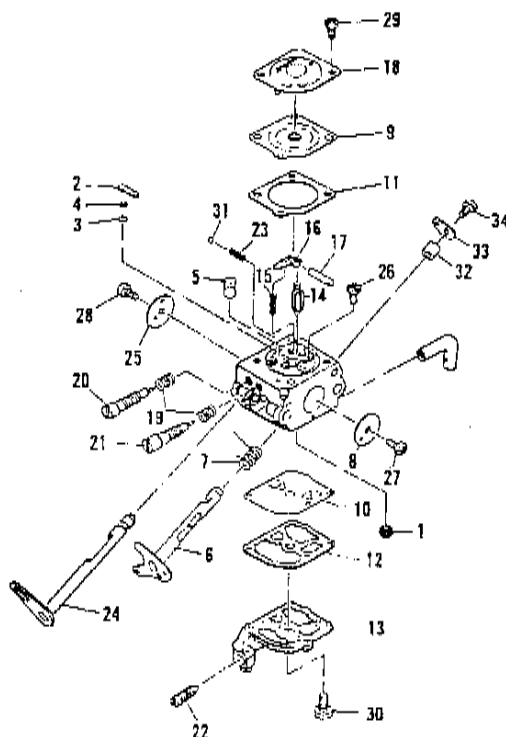
P/N 211445/E



MARCH 1995

McCULLOCH.

1



322202-01 M33

1	⊙	1
2	⊙	1
3		1
4		1
5		1
6		1
7		1
8		1
9	⊙	1
10	⊙	1
11	⊙	1
12	⊙	1
13		1
14	⊙	1
15	⊙	1
16	⊙	1
17	⊙	1
18		1
19		2
20		1
21		1
22		1
23		1
24		1
25		1
26		1
27		1
28		1
29		2
30		1
31		1
32		1
33		1
34		1

⊙ 301041 (RB-39)
 ⊙ 301042 (GND-35)